

## 1.0 INTRODUCTION

The WD8110/LV System Controllers are designed to provide a high performance, single chip, system controller supporting all 80486SX, 80486DX, 80386SX and 80386DX CPUs in AT bus based Desktop/Laptop/Notebook/Pen-based systems.

### 1.1 DOCUMENT SCOPE

This document describes the function and operation of the WD8110/LV System Controller devices. It includes the description of external logic necessary for efficient use of these devices. The WD8110/LV is also referred to in this document as the System Controller.

### 1.2 FEATURES

- Interfaces with 80486SX, 80486SXLP, 80486DX, 80386SX and 80386DX CPUs.
- Operates at up to 33 MHz at 3.3 volts or 5 volts with the 80486SX/DX.
- Operates at up to 33 MHz with the 80386SX/DX:
- Supports single and double clock 80486SX/DX and Intel SL Enhanced processors.

#### DRAM control:

- Page Mode word interleaved, DRAM controller with support for 80486 burst mode.
- Supports 3-2-2 clock sequence, 9 CLKs with 16-byte line fill for a page hit DRAM read cycle at 33 MHz.
- Optional 3-1-1-1 clock sequence, 6 CLKs with 16-byte line fill for static column mode DRAMs at CPU speeds of 16 MHz and 20 MHz.
- Zero Wait State writes at 16 MHz and 20 MHz to DRAMs for 80486SX/DX.
- One Wait State writes to DRAMs for 80386SX/DX.
- One Wait State reads from DRAMs for Page Hit access for 80386SX/DX.
- Supports memory in five DRAM banks for a maximum of 256 Mbytes, using 256 Kbit, 1 Mbit, 4 Mbit and 16 Mbit DRAMs and special DRAMs such as 512K by 9, 1M by 18 and 2M by 9.

- Supports major DRAM standards, including Asymmetrical DRAMs, Static Column DRAMs and 88-pin DRAM cards.
- Self-adjusting output drivers minimize output rise/fall time variations and reduce EMI and ground noise.
- DRAM address multiplexer capable of driving 450 pF with adjustable strength drivers.
- Features CAS before RAS refresh and slow refresh for low power.
- Supports slow refresh and self refresh DRAMs at 120  $\mu$ s.
- I/O pin mapping for board testability
- 32-bit direct interface with internal parity generation and checking with no DRAM data buffers required.

#### Power Management:

- Low power 0.9 micron CMOS technology.
- Provides power control with suspend and resume mode operations.
- 3 volt suspend to hard disk and Hibernation.
- Sleep Mode provides:
  - Stop clock for static CPU for power saving.
  - Processor power down.
- Provides automatic processor clock switching for 80386.
- Automatic CPU speedup (AutoFast).
  - Clock Scaling
  - Clock Throttling
- Supports multiple CPU speeds.
- Supports System Management Interrupt (SMI) for efficient power management.
- Provides peripheral and I/O power control with trapping on I/O address ranges for SMI operations.
- Supports a fully programmable 16-bit decode.
- Provides System Activity Monitor (SAM) for power management.



- Stop DMA clock.
- 3.3V low voltage operation with on-chip translators for 5 volt AT bus (split rail operation).
- 3 volt and 5 volt mixed mode.

#### Chip Set Features:

- High speed DMA.
- Three fully programmable chip selects with PMC timers.
- Built in Immunizer™ for virus protection.
- Connects directly to the AT Data Bus SD(15:00).
- Supports a Video Local Bus Interface (VLBI) for a 32-bit Video Graphic Array (VGA) interface.
- Bank switched BIOS ROM up to 512 KB.

### 1.3 WD8110/LV POWER MANAGEMENT

Power Management Control (PMC) is used for powering down the processor or peripherals and includes processor stop clock, slow clock, automatic processor clock speed switching modes and CAS before RAS slow refresh. Suspend and resume is supported and low power DRAM is refreshed while the processor and other power consuming devices are turned off. The power drain for the core logic and VGA controller is less than 2 mA in this mode. Power and clock speed may be controlled by the Keyboard Controller, transparently to the 80386 or 80486.

The System Activity Monitor (SAM) is a transparent feature that replaces the functions previously performed by software. It senses when the system has been idle for a previously programmed period of time and determines a clean break point in which to perform power down activities such as suspend.

The system controller also supports System Management Interrupt (SMI) with complete I/O trapping of up to six separate I/O ranges. Each range has an independent timer which can generate an SMI after a programmed period of time during which there was no I/O access to that range.

#### 1.3.1 Desktop Applications

The WD8110/LV provides a high performance solution with a flexible memory controller architecture, including support for five banks of memory. The WD8110/LV can fully support an external look-aside cache or a combination primary and secondary cache. This feature makes it particularly suitable for use with cached microprocessors where it maintains cache coherency via its built-in bus snooping capability. In addition, the WD8110/LV supports Video Local Bus Interface (VLBI) for enhanced graphics performance.

The built-in power management features of the WD8110/LV allows a high performance yet power efficient desk top solution.

#### 1.3.2 Portable Applications

The WD8110LV is an ideal choice because of its advanced power management features and power saving 3.3 volt operation, which delivers long battery life in a compact footprint. This makes it a perfect choice for laptop, notebook, pen-based and palmtop computers.

The five bank memory controller on the WD8110LV provides the user with great flexibility in the selection of 3.3 volt DRAMs to meet system memory requirements in low voltage platforms. The WD8110LV memory controller supports JEDEC standard 3.3 volt DRAM in various configurations, including the JEIDA standard 88-pin DRAM card.

The WD8110/LV can be paired with the appropriate support devices from Western Digital to deliver the most efficient solution for any platform. For 5 volt desktop or portable platforms, the WD8110/LV can be used with the WD76C20 Peripheral Controller and the WD76C30 I/O Controller. The WD8110 may also be used with the WD7615 Buffer Manager device and a generic Super I/O chip to implement a low cost desktop platform. For 3.3 volt applications, the WD8110LV can be used with the WD76C20ALV and WD76C30ALV, both of which incorporate level translators (split rail operation). For subnotebook and palmtop type applications, WD7625LV buffer manager and WD8120LV Super I/O can be added to the WD8110LV based solution to achieve a very compact footprint.



The WD8110/LV is a fifth generation system controller device derived from core chips with proven compatibility and design maturity in several of the industry's leading desktop and portable platforms. Designed with the state of the art 0.9 micron high performance CMOS process, the WD8110/LV family maintains architectural compatibility with Western Digital's WD7600 and WD7855 systems logic chip sets while incorporating many additional performance enhancements.

### 1.3.3 WD8110/LV Power Management

With its built-in advanced power management features, the WD8110/LV delivers the lowest system power consumption and longest battery life in portable systems. The following information summarizes the key power management features offered by the WD8110/LV architecture.

#### 1.3.3.1 Automatic CPU Speedup (AutoFast)

Depending on system activity, CPU speed automatically adjusts for slow speed when there is no activity and automatic speedup when activity is detected.

#### 1.3.3.2 CPU Sleep and Power-Down

The processor can be dynamically powered down during the idle periods (e.g. between keystrokes) and restored when any unmasked interrupt occurs. In case of a static processor, the CPU is simply operated at zero hertz during idle periods. This feature does not require SMI.

#### 1.3.3.3 Suspend and Resume Mode

Suspend is triggered either by one of several user-defined events or a programmable timeout. During suspend, the system is shut down except for the WD8110/LV, system memory, video memory and the video controller chip. These devices are sustained by a very slow clock until the WD8110/LV detects either the appropriate resume conditions or a modem ring indicator and the power is restored.

#### 1.3.3.4 Peripheral Power Control

All peripherals are powered down during Idle periods or Suspend conditions. The WD8110 fea-

tures eight user-definable and eight dedicated outputs to control the LCD panel, backlight, keyboard controller, power supply and other user-selected functions. The power consumption of disk drives can be controlled by way of the drive's built-in power modes. I/O ports are managed through software control.

#### 1.3.3.5 System Activity Monitor

The system activity monitor watches all hardware inputs and allows detection of idle conditions in the system following a programmable period of system inactivity.

#### 1.3.3.6 System Management Interrupt (SMI) Support

Supports the high-level System Management Interrupt and I/O Trapping for flexible and fully transparent Power Management.

#### 1.3.3.7 Hibernation Support

All registers within the WD8110/LV are readable including 8254 compatible timers, 8259 compatible interrupt controllers and 8237 DMA controllers. This allows for the entire system state to be easily stored to a file on the hard disk drive to allow complete system power-off and transparent restore.

#### 1.3.3.8 Slow Refresh

Slow 120  $\mu$ s refresh is an option in both runtime and suspend mode.

#### 1.3.3.9 DMA Stop Clock

DMA clock automatically stops when there is no DMA activity and automatically restarts on any unmasked DMA request.

## 1.4 ORDERING INFORMATION

Part Number	Description
WD8110ZZ A6	5 volt 33 MHz operation
WD8110LVZZ A6	3.3/5 volt 25 MHz operation
WD8110LVZZ33 A6	3.3/5 volt 33 MHz operation

**NOTE:** A6 = Shipment in dry packed trays - 24 parts per tray.



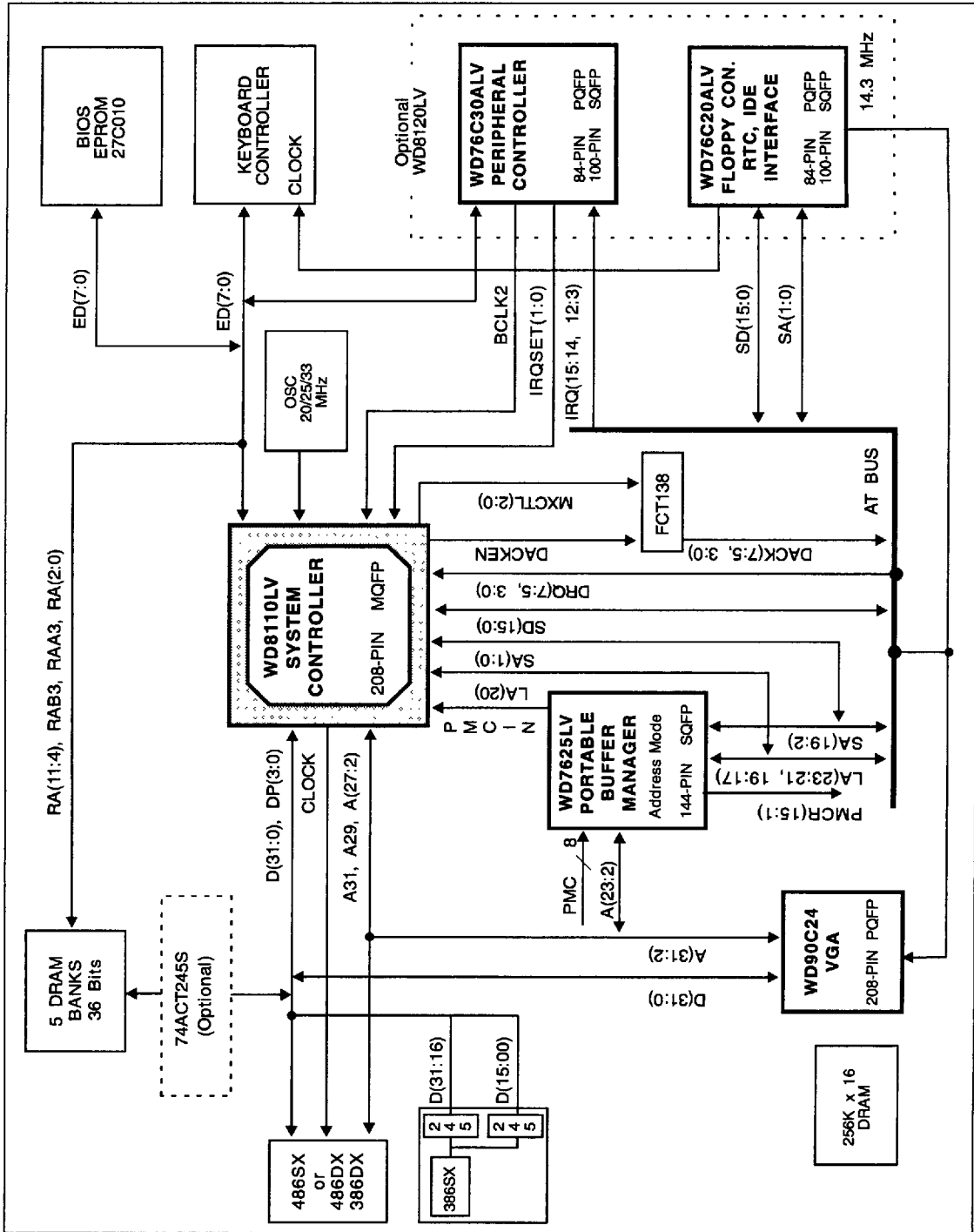


FIGURE 1-1. WD8110LV LOW VOLTAGE SYSTEM BLOCK DIAGRAM



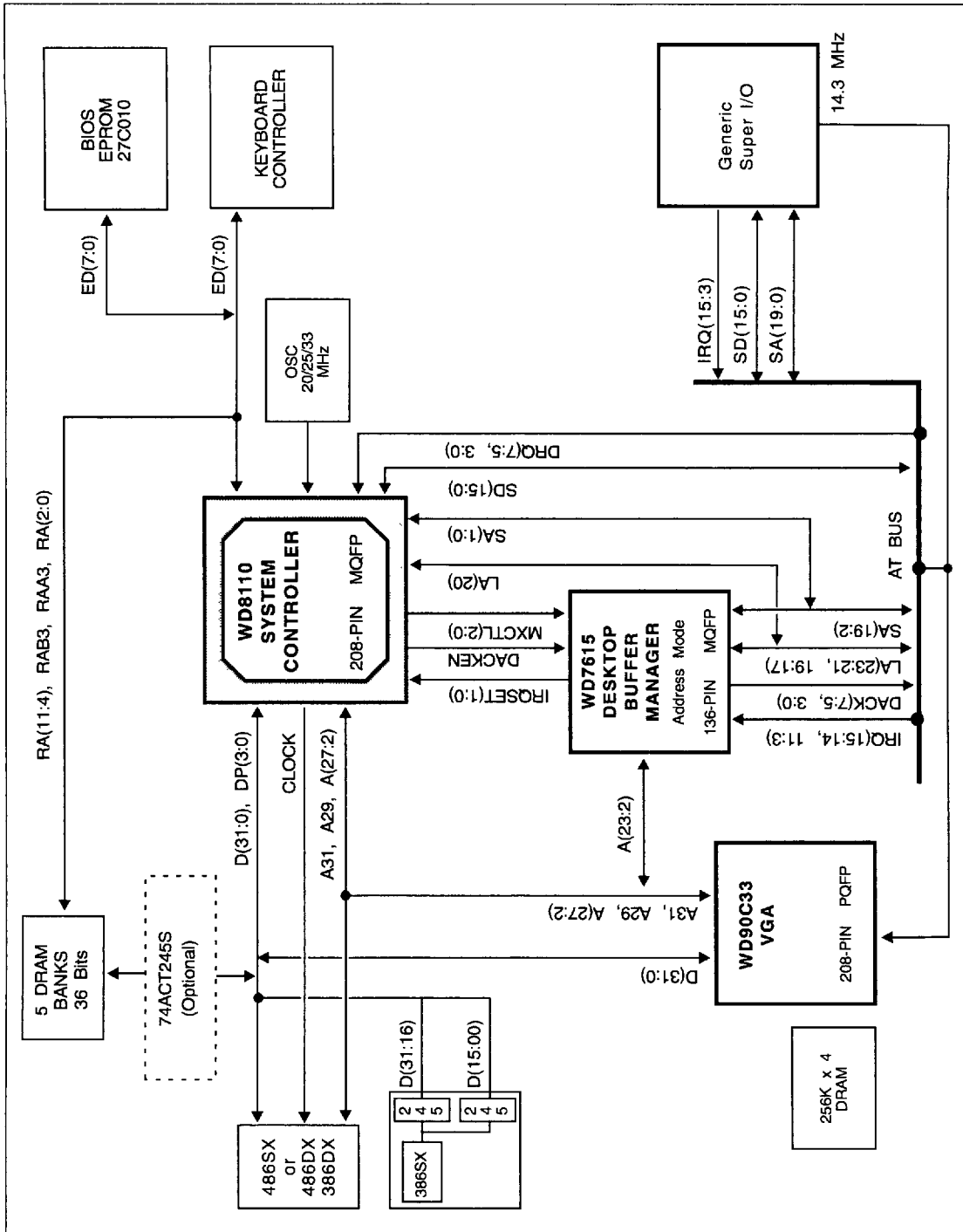


FIGURE 1-2. WD8110 DESKTOP SYSTEM BLOCK DIAGRAM

## 2.0 ARCHITECTURE

Both versions of the System Controller are composed of nine major blocks:

- Initialization and clocking
- AT bus
- 80486SX/DX 80386SX/DX and local bus interface
- Data bus
- DRAM Memory control
- Power Management Control (LV System Controllers only)
- Register File
- Video Local Bus Interface (VLBI) control

Sections 2.1 through 2.8 provide an overview of these blocks and are described in more detail in Sections 4 through 11.

### 2.1 INITIALIZATION AND CLOCKING

At power up, the System Controller receives  $\overline{\text{RSTIN}}$  which is used to reset the AT bus and assert  $\overline{\text{CPURES}}$  to reset the CPU.  $\overline{\text{CPURES}}$  is held for 1 ms beyond the removal of  $\overline{\text{RSTIN}}$ .

During Power-On-Reset, all configuration strap options are sampled. Refer to Section 4.0 for a more detailed description of the strapping and clock options.

#### 2.1.1 CPU Mode Selection

During Power-On-Reset:

If  $\text{MODE486}$  is sampled high, the 80486SX/DX CPU mode is selected. In this mode  $\overline{\text{SXM}}$  is ignored.

If  $\text{MODE486}$  is low and  $\overline{\text{SXM}}$  sampled high, the 80386DX mode is selected.

If  $\text{MODE486}$  and  $\overline{\text{SXM}}$  are sampled low, the 80386SX mode is selected.

#### 2.1.2 Clocking

$\text{CLK14}$  is a 14.318 MHz clock for the 8254 compatible timers and is switched to 32 KHz by

the WD76C20ALV during a suspend operation and from 32 KHz to 14.318 MHz during a resume operation.

$\text{BCLK2}$  is an input used to generate either an 8 or 10 MHz bus clock ( $\text{SYSCLK}$ ), or during certain low power modes, the main processor clock ( $\text{CPUCLK}$ ).

$\text{CPUCLK}$  is the processor clock and may be derived from  $\text{OSCIN}$  or  $\text{BCLK2}$ .

$\text{SYSCLK}$  is the system clock and is used to drive the AT Bus.  $\text{SYSCLK}$  may be derived from  $\text{CPUCLK}$  or  $\text{BCLK2}$ .

### 2.2 AT BUS

The AT bus provides the logic necessary to control the system clock, memory read and write access, I/O read and write cycles, data bus direction, data and interrupt requests and speaker driver.

### 2.3 80486SX/DX 80386SX/DX AND LOCAL BUS INTERFACE

This block enables the CPU to interface with the Local bus.  $\text{A31}$ ,  $\text{A29}$  and  $\text{A}(27:2)$  are connected directly to the 80486SX/DX. For AT Bus Master and DMA cycles, this block forces  $\text{A31}$ ,  $\text{A29}$  and  $\text{A}(27:24)$  low for invalidation of the cache internal to the 80486SX/DX.  $\text{A30}$  and  $\text{A28}$  are forced low during invalidation by external pulldown resistors. The CPU bus interface logic within the System Controller monitors 80486SX/DX bus cycles and controls the 32-bit DRAM interface and internal AT bus controller logic. If  $\overline{\text{LDS32}}$  is asserted before  $\text{T2}$  by a 32-bit local bus device such as a video controller or  $\text{WEITEK4167}$ , then the System Controller waits for the local device to generate  $\overline{\text{RDYIN}}$  to complete the cycle. For all other cycles, the System Controller completes the cycle by returning either  $\overline{\text{BRDY486}}$  or  $\overline{\text{RDY486}}$ .

In 80386DX Mode the System Controller always returns  $\overline{\text{RDY486}}$  and does not perform any burst cycles.

In 80386SX Mode the System Controller converts  $\text{SXA1}$ ,  $\text{SXBHE}$  and  $\text{SXBLE}$  to internal  $\text{BE}(3:0)$  and generates control signals  $\text{SXLOWEN}$  and



SXSWPEN for 32-bit to 16-bit data path on the CPU board.

## 2.4 DATA BUS

The Data Bus is a 32-bit (four bytes) bidirectional bus that connects to the processor's System Controller and 32-bit DRAM.

## 2.5 DRAM MEMORY CONTROL

This block controls the access of up to 256 Mbytes of DRAM in five banks. All versions of the System Controller support Page Mode word interleaved DRAM control with support for 486 Burst Mode.

## 2.6 POWER MANAGEMENT CONTROL

The Power Management Control (PMC) is internal logic which interfaces with external multiplexers and latches. It has the ability to power down the main processor only or the main processor and peripherals, conserving power essential to portable notebook/laptop computers. When in a power down state, the WD8110LV tristates the CPUCLK, RDY486, BRDY486, HOLDR, INTRQ and NMI output signals to the main processor. Also contained within this functional block are the SMI and SAM logic.

## 2.7 REGISTER FILE

The register file provides software control of the interface signals. The function of each register is described in the same section as the logic block which it controls. Some registers, such as the Bus Timing and Power Down Control Register at Port 1872H, serve more than one area. In this instance, the register description appears only in one section but is referred to in all appropriate sections.

The registers and the section in which they are described, are listed in Table 2-1.

In most cases, the registers are addressed by all 16 address bits, A15 through A00. When the address is expressed as a three digit number within the text, i.e., 092H - ALT A20 GATE and HOT RESET, only address bits A09 through A00 are used while A15 through A10 are ignored. If the address is expressed as a four digit number, all 16 address bits are used.

With the exception of the Port 70H Shadow Register at E472H, all registers located at Ports 1072H through FC72H are locked and inaccessible until unlocked by performing an eight bit I/O write of DA to the Lock/Unlock Register at Port F073H. Writing anything other than DA locks the registers. The lock/unlock status can be determined by reading the Lock/Unlock Status Register at Port FC72H twice. If the T bit (bit 15) toggles, the registers are unlocked. If the registers are locked, the read cycle is directed to the AT bus and the data is undetermined.

The Extended Setup Facility (ESF) provides a means of programming the memory control I/O registers in the System Controller. The ESF register address is written to Ports 74H and 75H. The data addressed by these ports can be accessed from data Port 700H.

Port 74H bits 7:0 = LSB of the ESF address.  
Port 75H bits 7:0 = MSB of the ESF address.  
Port 700H = data port for ESF.

Optionally the ESF address can be written to Port 4872H, and ESF data may be accessed at Port 5072H.

All ESF I/O ports are accessed as 8-bit ports. All System Controller I/O ports are within ESF:190H through 1A5H and 1ACH through 1AFH. All other ESF addresses are reserved for future use.



**2.7.1 Lock Status Register**

Port Address FC72H – Read only

Bits 11:03 are particularly useful in laptop applications by allowing the suspend/resume software to restore correct status to on-board devices.

15	14	13	12	11	10	09	08
T	Not Used			DMA#2 CH3 CH2 CH1 CH0			

07	06	05	04	03	02	01	00
DMA#1 CH3 CH2 CH1 CH0				P	Not Used		

<b>Signal Name</b>	<b>Default At RSTIN</b>
All signals . . . . .	None

**Bit 15 - T, Toggle**  
Changes state after every read of this port.

**Bits 14:12 - Not used, state is ignored**

**Bits 11:08 - DMA #2, Channel Enable**  
This field represents the state of the Enable Bit (Mask) for channels 3 through 0 of DMA Controller #2. For a description of the Mask Registers, refer to Section 5.4.11.  
1 = Channel enabled  
0 = Channel disabled

**Bits 07:04 - DMA #1, Channel Enable**  
This field represents the state of the Enable Bit (Mask) for channels 3 through 0 of DMA Controller #1. For a description of the Mask Registers, refer to Section 5.4.11.  
1 = Channel enabled  
0 = Channel disabled

**Bit 03 - P, Parallel Port Direction**  
The P bit represents the state of the Direction Bit (bit 5) of the parallel port Write Control Register. For a description of this bit, refer to the WD76C30 Data Book, Section 4.3.

**Bits 02:00 - Not used, state is ignored**

**2.7.2 Lock/Unlock Register**

Port Address F073H – Write only

15	14	13	12	11	10	09	08
Not Used							

07	06	05	04	03	02	01	00
L/UL							

<b>Signal Name</b>	<b>Default At RSTIN</b>
All signals . . . . .	None

**Bits 15:08 - Not used, state is ignored**

**Bits 07:00 - L/UL, Lock/Unlock**  
L/UL = DA -  
11011010 unlocks the registers, allowing read and write access to the registers. Refer to Table 2-1 for the registers capable of being locked.

L/UL ≠ DA -  
Anything other than 11011010 locks the registers. Any attempt to access a locked register I/O port address goes to the AT bus rather than the locked register.

**2.8 VLBI CONTROL**

The Video Local Bus Interface (VLBI) control is internal logic which interfaces with the local bus video controllers. It has the ability to determine whether the current CPU cycle should be processed by the local bus device or the WD8110LV System Controller.





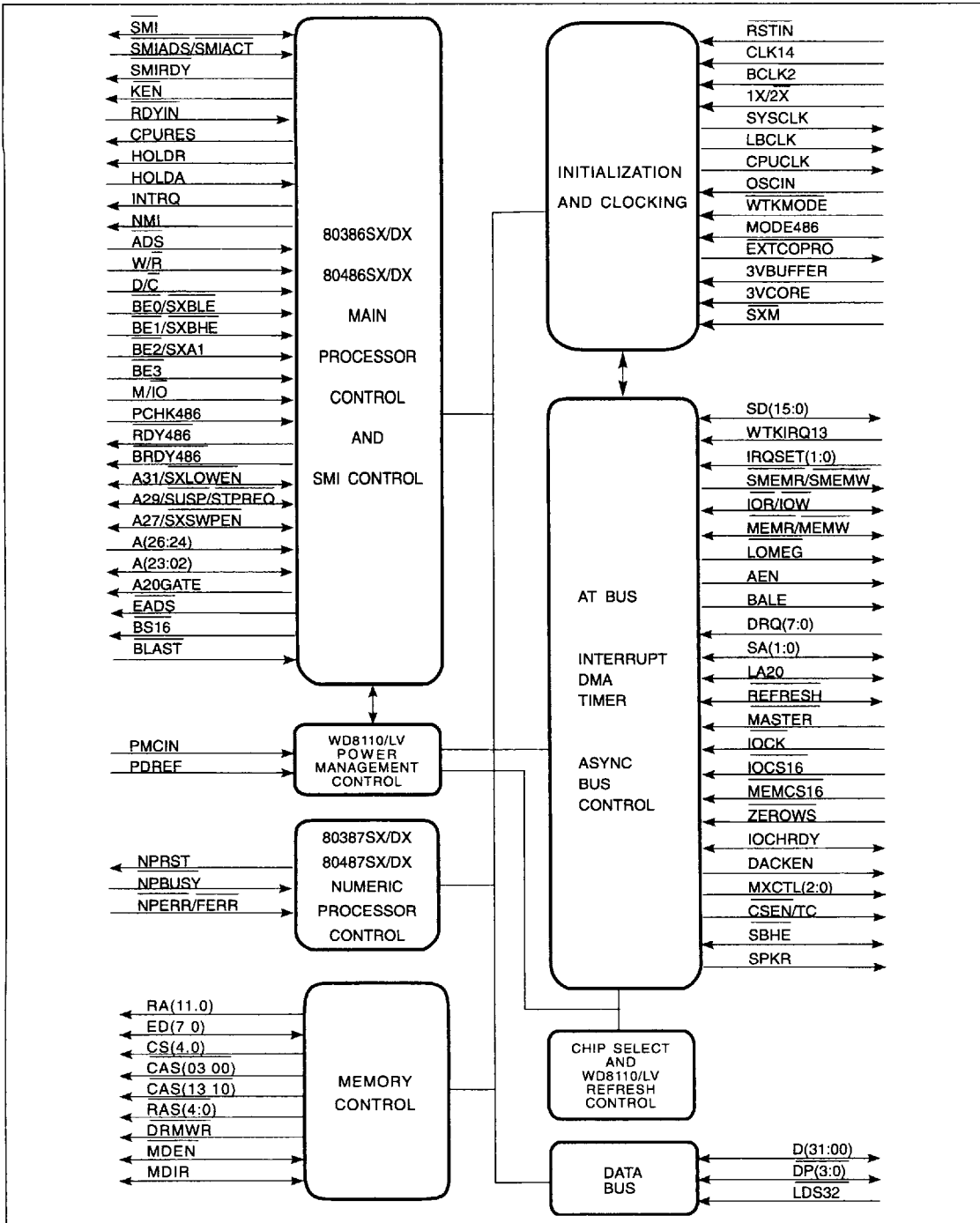


FIGURE 2-1. WD8110/LV BLOCK DIAGRAM



PORT ADDRESS (HEX)	REGISTER NAME	LOCK/ UNLOCK	SECTION
000 - 00F ①	DMA Control #1 (Channel 0:3)	No	5.4, 5.6,
020 - 021 ②	Interrupt Controller #1	No	5.5
040	Timer 0, Time of Day	No	5.6, 5.7
041	Timer 1, Refresh	No	5.6, 5.7
042	Timer 2, Speaker	No	5.6, 5.7
043	Control Word	No	5.6, 5.7
060 - 06E even	Keyboard Controller	No	7.4, Tables 7-1:3
061 - 06F odd	Port B Parity Error and I/O Channel Check	No	5.9
070 - 07E even	Real-Time Clock Address	No	5.8.1
071 - 07F odd	Real-Time Clock Data	No	5.8.2
74	LSB of the ESF address	No	2.7, 6.4
75	MSB of the ESF address	No	2.7, 6.4
080 - 09F	(except 092H) DMA Page	No	5.7, Table 5-8
092	Lock Pass, ALT A20 Gate and Hot Reset	No	5.8.3
0A0 - 0A1 ②	Interrupt Control Slave #2	No	5.4, 5.6
0C0 - 0DE ①	DMA Control #2 (Channel 4:7)	No	5.4
0EC	Busy Bypass Control	No	A.4
0EE	Fast A20 Gate Control	No	A.5
0EF	Fast CPU Reset Control	No	A.6
0F0	Clear NPBUSY	No	5.3.2
0F1	Reset 80387	No	5.3.3
0F9	Disable Privy	No	A.3
0FB	Enable Privy	No	A.2
ESF190	Bank 0:1 Address Mux Control	Yes	6.4.2.1
ESF191	Bank 2:3 Address Mux Control	Yes	6.4.2.2
ESF192	Bank 0 Size Control	Yes	6.4.3.1
ESF193	Split Address Start	Yes	6.4.6
ESF194	Bank 0 Start Address	Yes	6.4.7
ESF195	Bank 1 Start Address	Yes	6.4.7
ESF196	Bank 2 Start Address	Yes	6.4.7
ESF197	Bank 3 Start Address	Yes	6.4.7
ESF198	DRAM Mode	Yes	6.4.8
ESF199	DRAM Parameters Bank 0	Yes	6.4.10
ESF19A	Bank 1 Size Control	Yes	6.4.3.2
ESF19B	Bank 2 Size Control	Yes	6.4.3.3
ESF19C	Bank 3 Size Control	Yes	6.4.3.4
ESF19D	Bank 4 Size Control	Yes	6.4.3.5
ESF19E	Bank 4 Start Address	Yes	6.4.7
ESF19F	System Configuration	Yes	6.4.1
ESF1A0	Bank 4 Address Mux Control	Yes	6.4.2.3
ESF1A1	DRAM Parameters Bank 1	Yes	6.4.10
ESF1A2	DRAM Parameters Bank 2	Yes	6.4.10
ESF1A3	DRAM Parameters Bank 3	Yes	6.4.10
ESF1A4	DRAM Write Cycle Parameters Banks (3:0)	Yes	6.4.10
ESF1A5	DRAM Parameters Bank 4	Yes	6.4.10
ESF1A8	Static Column or Page Mode	Yes	6.4.9
ESF1A9	Memory Shadow Control 2	Yes	6.4.4.2
ESF1AA	Memory Shadow Control	Yes	6.4.4.1
ESF1AB	Split Memory Control and SMI RAM Start Address	Yes	6.4.5.1
700	ESF Data Port	No	2.7, 6.4
1072	CPU Clock Control	Yes	4.2.6

TABLE 2-1. REGISTER INDEX



PORT ADDRESS (HEX)	REGISTER NAME	LOCK/ UNLOCK	SECTION
1872	Bus Timing and Power Down Control	Yes	5.3.1
2072	Refresh Control, Serial and Parallel Chip Selects	Yes	7.1
2872	RTC, PVGA, Chip Selects	Yes	7.2
3072	Programmable Chip Select Address	Yes	7.3
3872	General Purpose I/O Write	Yes	11.1.2
3C72	DMA Shadow 1	Yes	8.14.1
4472	DMA Shadow 2	Yes	8.14.2
4872	ESF Address	Yes	6.4
4C72	DMA Shadow 3	Yes	8.14.3
5072	ESF Data	Yes	6.4
5472	SMI Auxiliary Control	Yes	9.3
5C72	Programmable CS2 and CS3 Control	Yes	9.4
6472	Programmable CS2 Address	Yes	9.5
6C72	Programmable CS3 Address	Yes	9.6
7072	PMC Output Control 7:0	Yes	8.4
7472	Backlight Mouse And SMI Control	Yes	6.5
7872	PMC Output Control 15:8	Yes	8.4
7C72	SMI I/O Trap Control	Yes	9.1.2
8072	PMC Timers	Yes	8.5
8472	IBM I/O Trap	Yes	9.1.1
8872	PMC Inputs 7:0	Yes	8.6
8C72	Stop Clock Control	Yes	4.2.7
9072	NMI Status	Yes	8.8
9472	General Purpose I/O Control	Yes	11.1.1
9872	Diagnostic	Yes	10.1
9C72	SMI I/O Timeout Control 1	Yes	9.2.1
A072	Delay Line Diagnostic	Yes	10.2
A472	SMI I/O Timeout Count 2	Yes	9.2.2
A872	Test Enable	Yes	10.3
AC72	SMI I/O Timeout Count 3	Yes	9.2.3
B072	Activity Monitor Control	Yes	8.12
B472	Enhanced DMA Clock	Yes	4.2.8
B872	DMA Mode Shadow	Yes	5.4.15
BC72	Enhanced DMA Clock	Yes	4.2.8
C072	ROM Bank Select Control	Yes	4.3
C472	Scratchpad A	Yes	11.2
CC72	Scratchpad B	Yes	11.2
C872	PMC Interrupt Enables	Yes	8.7
D072	Serial/Parallel Shadow	Yes	8.9
D472	Interrupt Controller Shadow	Yes	8.10
D872	Activity Monitor Mask	Yes	8.13
DC72	Test Status	Yes	10.4
E472	Port 70H Shadow	No	8.11
F072	48 MHz Oscillator Disable	Yes	7.4, Table 7-3
F073	Lock/Unlock	No	2.7.2
F472	48 MHz Oscillator Enable	Yes	7.4, Table 7-3
FC72	Lock Status	Yes	2.7.1

① See Table 5-4. DMA Controller/Channel Function Map  
 ② See Table 5-6. Interrupt Controller Function Map

TABLE 2-1. REGISTER INDEX (Continued)



### 3.0 SIGNAL DESCRIPTION

Table 3-1 provides a list of signal to pin assignments for the WD8110/LV 208-pin MQPF package. Table 3-2 provides a description of the signals controlled by the WD8110/LV.

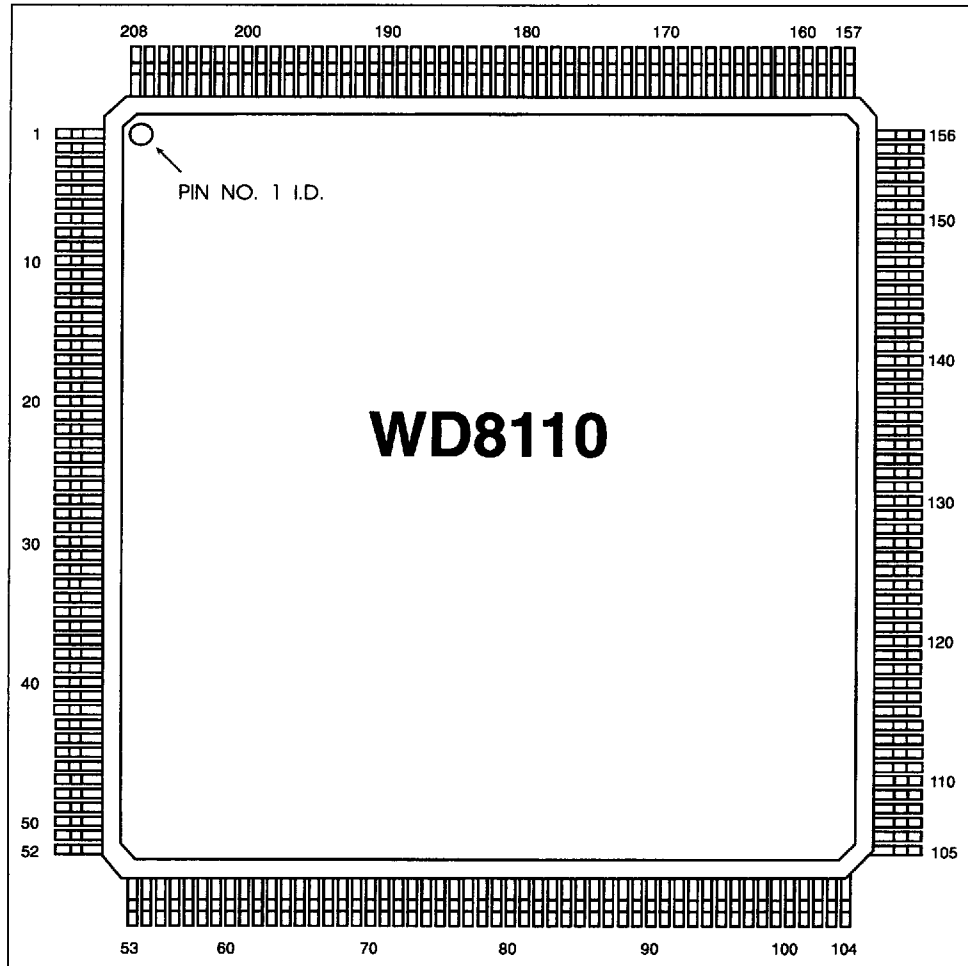


FIGURE 3-1. 208-PIN MQFP PACKAGE



PIN - NAME	PIN - NAME	PIN - NAME	PIN - NAME
1 - AEN	40 - REFRESH	76 - A10	106 - CPUCLK
2 - BALE	41 - VSS	77 - A9	107 - LBCLK
3 - SYSCLK	42 - SBHE	78 - A8	108 - EADS
4 - LOWMEG SMEMR	43 - LA20	79 - A7	EXCOP
5 - SD15	44 - IOW	80 - VSS	109 - VSS
6 - SD14	45 - IOR	81 - A6	110 - RAS0
7 - SD13	46 - MEMW	82 - A5	111 - RAS1
8 - SD12	47 - MEMR	83 - A4	112 - RAS2
9 - SD11	48 - SA1	84 - A3	113 - RAS3
10 - SD10	49 - SA0	85 - A2	114 - RAS4
11 - SD9	50 - MDEN	86 - RDYIN	115 - CAS03
12 - SD8	51 - MDIR	87 - BE3	116 - CAS02
13 - SD7	52 - NMI	88 - VDD3V	117 - VSS
14 - VSS	53 - DRMWR	89 - BE2	118 - CAS01
15 - SD6	54 - INTRQ	SXA1	119 - CAS00
16 - SD5	55 - A31	90 - BE1	120 - VDD3V
17 - VDD5V	SXLOWEN	SXBHE	121 - CAS13
18 - SD4	56 - A29	91 - BE0	122 - CAS12
19 - SD3	SUSP	SXBLE	123 - CAS11
20 - SD2	STP_REQ	92 - NPERR	124 - CAS10
21 - SD1	DFS_REQ	FERR	125 - ADS
22 - SD0	57 - A27	93 - BRDY486	126 - W/R
23 - CLK14	SXSWPEN	94 - GPREGWR	127 - D/C
24 - MASTER	58 - A26	NPBUSY	128 - M/IO
25 - IOCK	59 - A25	95 - VSS	129 - PDREF
26 - IOCHRDY	60 - A24	96 - ROMBA16	130 - LDS32
27 - ZEROWS	61 - A23	3VBUFFER	131 - VSS
28 - VSS	62 - A22	97 - ROMBA17	132 - PMCIN
29 - MEMCS16	63 - A21	3VCORE	133 - SUSPA
30 - IOCS16	64 - A20	98 - ROMBA18	DFS_RDY
31 - DRQ7	65 - A19	SXM	134 - PCHK486
32 - DRQ6	66 - VSS	99 - CPURES	135 - BLAST
33 - DRQ5	67 - A18	100 - NPRST	136 - RA0
34 - DRQ3	68 - A17	101 - SMIRDY	ED0
35 - DRQ2	69 - A16	WTKMODE	137 - RA1
36 - DRQ1	70 - A15	FLUSH	ED1
37 - VDD5V	71 - VDD3V	102 - SMI	138 - RA2
38 - DRQ0	72 - A14	103 - KEN	ED2
39 - SMEMW	73 - A13	MODE486	139 - VDD3V
WTKIRQ13	74 - A12	104 - BCLK2	140 - RA3A
	75 - A11	105 - OSCIN	CS3

TABLE 3-1. 208-PIN MQFP - SIGNAL/PIN ASSIGNMENTS



PIN - NAME	PIN - NAME	PIN - NAME	PIN - NAME
141 - RA3B	152 - RDY48 $\bar{6}$	171 - D13	192 - D31
CS4	153 - CSEN	172 - D14	193 - IRQSET0
142 - RA4	TC	173 - VDD3V	194 - VSS
ED3	CLKTEST	174 - D15	195 - IRQSET1
143 - RA5	154 - MXCTL0	175 - D16	196 - SMIADS
ED4	155 - MXCTL1	176 - D17	SMIACT
144 - RA6	156 - MXCTL2	177 - D18	197 - HOLDA
ED5	157 - D0	178 - D19	198 - RSTIN
145 - RA7	158 - D1	179 - D20	199 - HOLDR
ED6	159 - D2	180 - D21	200 - SPKR
146 - VSS	160 - D3	181 - VSS	201 - DP0
147 - RA8	161 - D4	182 - D22	202 - VSS
ED7	162 - D5	183 - D23	203 - DP1
148 - RA9	163 - D6	184 - D24	204 - DP2
CS0	164 - D7	185 - D25	205 - DP3
149 - RA10	165 - D8	186 - D26	206 - EXBUSY
CS1	166 - VSS	187 - D27	GPREGRD
150 - RA11	167 - D9	188 - D28	207 - BS16
CS2	168 - D10	189 - D29	208 - DACKEN
151 - A20GT	169 - D11	190 - VDD3V	
1X/2X	170 - D12	191 - D30	

TABLE 3-1. 208-PIN MQFP - SIGNAL/PIN ASSIGNMENTS (Continued)



PIN NUMBER	MNEMONIC	I/O	DESCRIPTION
<i>INITIALIZATION AND CLOCKING</i>			
3	SYCLK	O	<p><b>System Clock</b> <span style="float: right;">Translate +5</span></p> <p>In asynchronous bus mode, SYCLK is equal to BCLK2 divided by two or four, depending on the BUS_MOD bits in the Bus Timing Register at Port 1872H. See Section 5.3.1.</p> <p>In synchronous bus mode, SYCLK is equal to CPUCLK divided by two or four, depending on the BUS_MOD bits in the Bus Timing Register at Port 1872H. See Section 5.3.1.</p>
23	CLK14	I	<p><b>Clock 14</b> <span style="float: right;">Translate +5</span></p> <p>CLK14 is derived from a 14.318 MHz crystal oscillator and is used internally for the 8254 compatible timers. CLK14 is externally switched to 32 KHz during a suspend and resume.</p>
96	3VBUFFER	I	<p><b>3 Volt Buffer</b></p> <p>Pin 96 is shared by 3VBUFFER and ROMBA16. Refer to Miscellaneous group for a description of ROMBA16.</p> <p>3VBUFFER is sampled during Power-On Reset .                      Low = AT Bus I/O Buffer operates at 5 volts.                      High = AT Bus I/O Buffer operates at 3 volts.</p>
97	$\overline{3VCORE}$	I	<p><b>3 Volt Core</b></p> <p>Pin 97 is shared by <math>\overline{3VCORE}</math> and ROMBA17. Refer to Miscellaneous group for a description of ROMBA17.</p> <p><math>\overline{3VCORE}</math> is sampled during Power-On Reset .                      Low = Core operates at 3 volts.                      High = Core operates at 5 volts.</p>
98	$\overline{SXM}$	I	<p><b>80386SX or 386/486 Mode Select</b> <span style="float: right;">Translate +3</span></p> <p>Pin 98 is shared by <math>\overline{SXM}</math> and ROMBA18. Refer to Miscellaneous group for a description of ROMBA18.</p> <p>MODE486 on pin 103 must also be low during Power-On-Reset to enable SXM.</p> <p>Low = 80386SX mode.                      High = 80386DX mode.</p>
<p><b>Translate +3</b> - This signal may only be connected to a 3 volt signal bus when the System Controller VDD Core pins are powered by 3.3 volts.</p> <p><b>Translate +5</b> - This signal may be connected to a 5 volt signal bus when the System Controller core is powered by 3.3 volts. These signals are internally translated and require that the VDDAT pins be connected to a +5 volt source.</p>			

**TABLE 3-2. SIGNAL DESCRIPTIONS**



PIN NUMBER	MNEMONIC	I/O	DESCRIPTION
<i>INITIALIZATION AND CLOCKING (Cont.)</i>			
101	WTKMODE	I	<p><b>Weitek Mode</b> <span style="float: right;">Translate +3</span>  Pin 101 is shared by WTKMODE, SMIRDY and FLUSH. Refer to Main Processor Control group for a description of SMIRDY and FLUSH.</p> <p>WTKMODE is sampled during Power-On-Reset.  If low, Weitek Mode is selected and pin 56 functions as A29, pin 39 as WTKIRQ13 and pin 4 as LOWMEG.  If high, pin 56 functions as STP_REQ, DFS_REQ or SUSP.  Refer to Main Processor Control group for a description of pin 56.</p>
103	MODE486	I	<p><b>80386/80486 Mode</b> <span style="float: right;">Translate +3</span>  Pin 103 is shared by MODE486 and KEN. Refer to Main Processor Control group for a description of KEN.</p> <p>During Power-On-Reset, pin 103 is MODE486. A high at this time selects the 80486 mode, a low selects the 80386 mode. Selecting the 80386 mode allows SXM on pin 98 to select between 80386SX mode and 80386DX mode.</p>
104	BCLK2	I	<p><b>Bus Clock</b> <span style="float: right;">Translate +3</span>  BCLK2 is used to generate an 8 MHz or 10 MHz expansion bus clock. For an 8 MHz bus, BCLK2 is a 16 MHz or 32 MHz input signal. For a 10 MHz bus clock, BCLK2 is a 20 or 40 MHz input signal. BCLK2 may also be used to drive the processor clock.</p>
105	OSCIN	I	<p><b>Oscillator In</b> <span style="float: right;">Translate +3</span>  OSCIN is connected to an external oscillator and is used to generate the CPUCLK. This frequency may be divided by one or two, depending upon 1X/2X at power up.</p>
106	CPUCLK	O	<p><b>386/486 CPU Clock</b> <span style="float: right;">Translate +3</span>  At Power-On-Reset, if 1X/2X is strapped high CPUCLK source defaults to the OSCIN input at pin 105. If 1X/2X is strapped low, CPUCLK source defaults to BCLK2 at pin 104.</p> <p>After Power-On-Reset, the CPUCLK source can be changed depending upon the setting of the SRC bit at Port Address 1072H.</p>

TABLE 3-2. SIGNAL DESCRIPTIONS (Continued)





PIN NUMBER	MNEMONIC	I/O	DESCRIPTION
<i>INITIALIZATION AND CLOCKING (Cont.)</i>			
107	LBCLK	O	<p><b>Local Bus Clock</b> <span style="float: right;">Translate +3</span>            LBCLK is a derivative of CPUCLK divided by 2 for use with VESA local bus devices. When <math>1X/2\bar{X}</math> is strapped low, LBCLK is phase synchronized <math>1X</math> CLK for the local bus.</p> <p>When <math>1X/2\bar{X}</math> is strapped high, CPUCLK should be used instead of LBCLK.</p>
108	$\overline{\text{EXCOP}}$	I	<p><b>External 80387 Coprocessor</b> <span style="float: right;">Translate +3</span>            Pin 108 is shared by <math>\overline{\text{EXCOP}}</math> and <math>\overline{\text{EADS}}</math>. Refer to Main Processor Control group for a description of <math>\overline{\text{EADS}}</math>.</p> <p><math>\overline{\text{EXCOP}}</math> is sampled during Power-On-Reset. If low, an external 80387 is supported, coprocessor error handling logic is enabled, and pins 206 and 94 function as <math>\overline{\text{EXBUSY}}</math> and <math>\overline{\text{NPBUSY}}</math>. If high, pins 206 and 94 function as <math>\overline{\text{GPREGRD}}</math> and <math>\overline{\text{GPREGWR}}</math>.</p>
151	$1X/2\bar{X}$	I	<p><b>Single/Double Phase CPU Clock</b> <span style="float: right;">Translate +3</span>            Pin 151 is shared by <math>1X/2\bar{X}</math> and A20GATE. Refer to Main Processor Control group for a description of A20GATE.</p> <p>The <math>1X/2\bar{X}</math> strapping option is sampled during Power-On-Reset.</p> <p>When low, OSCIN at pin 105 is divided by 2 internally to maintain phase relationship with CPUCLK.</p> <p>When high, OSCIN is not divided.</p>
153	CLKTEST	I	<p><b>Clock Test</b> <span style="float: right;">Translate +3</span>            Pin 153 is shared by CLKTEST, <math>\overline{\text{CSEN}}</math> and TC. Refer to AT BUS group for a description of <math>\overline{\text{CSEN}}</math> and TC.</p> <p>CLKTEST is sampled during Power-On-Reset. When low, test mode is selected. When high, normal operation is selected.</p>
198	$\overline{\text{RSTIN}}$	I	<p><b>System Reset In</b> <span style="float: right;">Translate +3</span>  <math>\overline{\text{RSTIN}}</math> is derived from the mother board power good circuit. It drives a CMOS input level Schmitt Trigger and is used to reset the entire system at power up. For a detailed description, refer to Section 4.1 Power Up Reset.</p>

TABLE 3-2. SIGNAL DESCRIPTIONS (Continued)



PIN NUMBER	MNEMONIC	I/O	DESCRIPTION
<i>AT BUS</i>			
156 155 154	MXCTL2 MXCTL1 MXCTL0	O O O	<b>Multiplexer Control(2:0)</b> Translate +3 MXCTL(2:0), controls external multiplexers for the selection of input signals IRQSET1, IRQSET0 and PMCIN and, along with DACKEN, generates DACK(7:5), DACK(3:0) and BUS_RST. Refer to Table 5-1 and Figure 5-1.
208	DACKEN	O	<b>DACK Enable</b> Translate +3 When DACKEN is asserted, MXCTL(2:0) are used to generate DACK(7:5), DACK(3:0) and BUS_RST. Refer to Table 5-1 and Figure 5-1.
195	IRQSET1	I	<b>Interrupt Request Set 1</b> Translate +3 MXCTL(2:0) along with one of the following: A20GT, IRQ1, IRQ(3:7) or IRQ12, selects IRQSET1. Refer to Table 5-1 and Figure 5-1.
193	IRQSET0	I	<b>Interrupt Request Set 0</b> Translate +3 MXCTL(2:0) along with one of the following: ROM8, RESCPU, IRQ(15:14), IRQ(11:9), or IRQ8 selects IRQSET0. Refer to Table 5-1 and Figure 5-1.
31:33 34:36 38	DRQ(7:5) DRQ(3:1) DRQ0	I	<b>DRQ(7:5) DRQ(3:0) Inputs</b> Translate +5 These are the DRQ signals from the AT Bus. They have internal pulldown resistors.
5:13 15:16 18:22	SD(15:7) SD(6:5) SD4:SD0	I/O	<b>AT Data Bus</b> Translate +5 SD(15:0) are connected directly to the AT Data Bus. SD(7:0) have internal programmable pullup resistors. See Port Address 8C72H in Section 4.2.7
39	WTKIRQ13	I	<b>WEITEK IRQ13</b> Translate +5 In WEITEK mode, pin 39 is an input from the WEITEK coprocessor and ORed internally to generate an IRQ13 interrupt.
	$\overline{\text{SMEMW}}$	O	<b>S Memory Write</b> When not in WEITEK mode, pin 39 is an output and asserted for AT Bus memory write cycles when the AT Bus address is below 1 Mbyte.
4	$\overline{\text{LOWMEG}}$	O	<b>First Megabyte</b> Translate +5 In weitek mode, $\overline{\text{LOWMEG}}$ is output to the WD7615 when the AT bus address is below 1 Mbyte.
	$\overline{\text{SMEMR}}$	O	<b>S Memory Read</b> When not in Weitek mode, pin 4 is $\overline{\text{SMEMR}}$ . When asserted, $\overline{\text{SMEMR}}$ indicates a read cycle with an address below 1 Mbyte

TABLE 3-2. SIGNAL DESCRIPTIONS (Continued)



PIN NUMBER	MNEMONIC	I/O	DESCRIPTION
<i>AT BUS (Cont.)</i>			
46	$\overline{\text{MEMW}}$	I/O	<b>Memory Write</b> Translate +5 In Master Mode $\overline{\text{MEMW}}$ is an input.  $\overline{\text{MEMW}}$ is asserted by the System Controller as an output when a DMA or processor memory write to the AT Bus is to take place.
47	$\overline{\text{MEMR}}$	I/O	<b>Memory Read</b> Translate +5 In Master Mode, $\overline{\text{MEMR}}$ is an input.  $\overline{\text{MEMR}}$ is asserted by the System Controller as an output when a DMA or processor memory read from the AT Bus is to take place.
44	$\overline{\text{IOW}}$	I/O	<b>I/O Write</b> Translate +5 In Master Mode, $\overline{\text{IOW}}$ is an input.  $\overline{\text{IOW}}$ is asserted by the System Controller as an output when a DMA or processor I/O write to the AT Bus is to take place.
45	$\overline{\text{IOR}}$	I/O	<b>I/O Read</b> Translate +5 In Master Mode, $\overline{\text{IOR}}$ is an input.  $\overline{\text{IOR}}$ is asserted by the System Controller as an output when a DMA or processor I/O read from the AT Bus is to take place.
42	$\overline{\text{SBHE}}$	I/O	<b>System Bus High Enable</b> Translate +5 <b>System Address 0</b> <b>System Address 1</b> In Master Mode, these are input signals asserted by the Bus Master.  When not in Master Mode, these are output signals used by the AT Address Bus.
49	SA0	I/O	
48	SA1	I/O	
43	LA20	I/O	<b>Early Address 20</b> Translate +5 In Master Mode, LA20 is an input signal asserted by the Bus Master to place an address bit on A20.  When not in Master Mode, LA20 is an output asserted by the System Controller to place address bit A20 on the AT Bus LA20 line.
24	$\overline{\text{MASTER}}$	I	<b>Master</b> Translate +5 $\overline{\text{MASTER}}$ is asserted by the Bus Master to indicate that a Bus Master cycle is occurring. This causes $\overline{\text{SBHE}}$ , SA0, SA1, $\overline{\text{MEMR}}$ , $\overline{\text{MEMW}}$ , $\overline{\text{IOR}}$ , $\overline{\text{IOW}}$ and LA20 to be selected as input signals.

TABLE 3-2. SIGNAL DESCRIPTIONS (Continued)



PIN NUMBER	MNEMONIC	I/O	DESCRIPTION
<i>AT BUS (Cont.)</i>			
40	$\overline{\text{REFRESH}}$	I/O	<b>Refresh</b> Translate +5 As an input, $\overline{\text{REFRESH}}$ is asserted by the Bus Master in conjunction with MEMR to refresh memory on the AT Bus and DRAM controlled by the System Controller.  As an output, $\overline{\text{REFRESH}}$ is asserted by the System Controller to refresh memory on the AT Bus.
153	$\overline{\text{CSEN}}$	O	<b>Chip Select Enable</b> Translate +3 Pin 153 is shared by $\overline{\text{CSEN}}$ , TC and CLKTEST. Refer to Initialization And Clocking group for a description of CLKTEST.  $\overline{\text{CSEN}}$ enables the decoding of CS(4:0) for up to 32 chip selects.
	TC	O	<b>Terminal Count</b> TC is used by the WD76C20 during DMA cycles for generating TC on the AT bus.
26	IOCHRDY	I	<b>I/O Channel Ready</b> Translate +5 IOCHRDY initiates wait states during AT bus cycles.
27	$\overline{\text{ZEROWS}}$	I	<b>Zero Wait State</b> Translate +5 $\overline{\text{ZEROWS}}$ initiates a zero wait AT bus cycle.
30	$\overline{\text{IOCS16}}$	I	<b>16 Bit I/O Cycle</b> Translate +5 $\overline{\text{IOCS16}}$ initiates a 16-bit AT Bus cycle.
29	$\overline{\text{MEMCS16}}$	I	<b>16-Bit Memory Cycle</b> Translate +5 $\overline{\text{MEMCS16}}$ initiates a 16-bit memory AT Bus cycle.
1	AEN	O	<b>Address Enable</b> Translate +5 AEN is asserted by the System Controller while performing DMA and Refresh cycles.
2	BALE	O	<b>AT Bus Address Latch Enable</b> Translate +5 BALE is synchronous with the Bus Clock (BCLK2).
25	$\overline{\text{IOCK}}$	I	<b>I/O Channel Check</b> Translate +5 When asserted, $\overline{\text{IOCK}}$ indicates that a bus or memory error has occurred on the AT Bus and generates an NMI to the processor.

TABLE 3-2. SIGNAL DESCRIPTIONS (Continued)



PIN NUMBER	MNEMONIC	I/O	DESCRIPTION
<i>MAIN PROCESSOR CONTROL</i>			
102	$\overline{\text{SMI}}$	I/O	<b>System Management Interrupt</b> Translate +3 Request to and from the processor. (Open collector)
196	$\overline{\text{SMIADS}}$ $\overline{\text{SMIACT}}$	I	<b>System Management Interrupt Address Strobe</b> <b>System Management Interrupt Active</b> Translate +3 SMIADS and SMIACT are signals from the CPU for supporting SMI cycles.  For AMD and Cyrix CPUs pin 196 is $\overline{\text{SMIADS}}$ . For Intel CPUs pin 196 is SMIACT.
101	$\overline{\text{SMIRDY}}$	O	<b>System Management Interrupt Ready</b> Translate +3 Pin 101 is shared by SMIRDY, FLUSH and WTKMODE. Refer to Initialization And Clocking group for a description of WTKMODE. Whether pin 101 functions as $\overline{\text{SMIRDY}}$ or FLUSH is controlled by bit 13 at Port Address 7C72H.  $\overline{\text{SMIRDY}}$ is the ready signal for $\overline{\text{SMI}}$ operations.
	$\overline{\text{FLUSH}}$	O	<b>Flush Cache</b> FLUSH is asserted to the 80486 to flush its internal Cache.
91	$\overline{\text{BE0}}$ $\overline{\text{SXBLE}}$	I	<b>Byte Enable 0</b> Translate +3 <b>SX Bus Low Enable</b> In 80386DX or 80486 mode this is $\overline{\text{BE0}}$ , the Byte Enable 0 signal from the CPU.  In 80386SX mode this is $\overline{\text{BLE}}$ , the Bus Low Enable signal and indicates a transfer of the low byte on the processor data bus.
90	$\overline{\text{BE1}}$ $\overline{\text{SXBHE}}$	I	<b>Byte Enable 1</b> Translate +3 <b>SX Bus High Enable</b> In 80386DX or 80486 mode this is $\overline{\text{BE1}}$ , the Byte Enable 1 signal from the CPU.  In 80386SX mode this is $\overline{\text{BHE}}$ , the Bus High Enable signal and indicates a transfer of the high byte on the processor data bus.
89	$\overline{\text{BE2}}$ $\overline{\text{SXA1}}$	I	<b>Byte Enable 2</b> Translate +3 <b>SX Processor Address Bit 1</b> In 80386DX or 80486 mode this is $\overline{\text{BE2}}$ , the Byte Enable 2 signal from the CPU.  In 80386SX mode this is bit 1 (A1) of the processor address bus.
87	$\overline{\text{BE3}}$	I	<b>Byte Enable 3</b> Translate +3 In 80386DX or 80486 mode this is $\overline{\text{BE3}}$ , the Byte Enable 3 signal from the CPU.

TABLE 3-2. SIGNAL DESCRIPTIONS (Continued)



PIN NUMBER	MNEMONIC	I/O	DESCRIPTION
<i>MAIN PROCESSOR CONTROL (Cont.)</i>			
125	$\overline{\text{ADS}}$	I	<b>Address Status</b> Translate +3 ADS is the address status signal from the processor.
128	$\overline{\text{M/I\bar{O}}}$	I	<b>Memory Or I/O</b> Translate +3 When high, $\overline{\text{M/I\bar{O}}}$ indicates a processor memory cycle.  When low, $\overline{\text{M/I\bar{O}}}$ indicates a processor I/O cycle.
127	$\overline{\text{D/C}}$	I	<b>Data Control</b> Translate +3 D/C is the Data Control signal of the processor.  When high, a data transfer occurs. When low, a control operation occurs.
126	$\overline{\text{W/R}}$	I	<b>Write Or Read</b> Translate +3 W/R is the write or read signal from the processor.  When $\overline{\text{W/R}}$ is high, a write occurs. When $\overline{\text{W/R}}$ is low, a read occurs.
199	HOLDR	O	<b>Hold Request</b> Translate +3 Hold cycle request to the processor.
197	HOLDA	I	<b>Hold Acknowledge</b> Translate +3 Hold acknowledge from the processor.
52	NMI	O	<b>Non-Maskable Interrupt</b> Translate +3 Processor non-maskable interrupt cycle request.
134	$\overline{\text{PCHK486}}$	I	<b>Parity Check 80486</b> Translate +3 When in 80486 mode, $\overline{\text{PCHK486}}$ is an input signal, asserted by the 80486 during CPU memory reads, to indicate that a parity error has occurred. $\overline{\text{PCHK486}}$ is latched internally to generate an NMI.
152	$\overline{\text{RDY486}}$	O	<b>Ready 80486</b> Translate +3 $\overline{\text{RDY486}}$ terminates non-burst 80486 cycles or all 80386 cycles. It is externally ORed with other ready sources, such as 387RDYO, VLBIRDY and WEITEKRDY, before going to the CPU.
93	$\overline{\text{BRDY486}}$	O	<b>Burst Ready 80486</b> Translate +3 During 80486 mode, $\overline{\text{BRDY486}}$ asserted indicates a Burst is ready for a 80486 burst cycle.
54	INTRQ	O	<b>Interrupt Request</b> Translate +3 Processor interrupt cycle request.

TABLE 3-2. SIGNAL DESCRIPTION (Continued)



PIN NUMBER	MNEMONIC	I/O	DESCRIPTION
<i>MAIN PROCESSOR CONTROL (Cont.)</i>			
103	KEN	O	<p><b>Cache Enable</b> Translate +3 Pin 103 is shared by <math>\overline{\text{KEN}}</math> and MODE486. Refer to Initialization And Clocking group for a description of MODE486.</p> <p>During normal operations <math>\overline{\text{KEN}}</math> is an output to the 80486. <math>\overline{\text{KEN}}</math> is always asserted during T1 cycles and de-asserted for non-cache cycles.</p>
99	CPURES	O	<p><b>CPU Reset</b> Translate +3 When asserted, CPURES is a synchronous reset for the processor.</p>
86	$\overline{\text{RDYIN}}$	I	<p><b>Processor Ready In</b> Translate +3 <math>\overline{\text{RDYIN}}</math> is the processor <math>\overline{\text{READY}}</math> signal after all sources are OR'ed together.</p>
151	A20GATE	O	<p><b>A20 Gate</b> Translate +3 Pin 151 is shared by A20GATE and <math>1\text{X}/2\overline{\text{X}}</math>. Refer to Initialization And Clocking group for a description of <math>1\text{X}/2\overline{\text{X}}</math>.</p> <p>A20 from Port 92H is ORed with the Keyboard Controller output and is directly connected to A20GTX of the 80486 CPU.</p>
108	$\overline{\text{EADS}}$	O	<p><b>External Address Valid Input</b> Translate +3 Pin 108 is shared by <math>\overline{\text{EADS}}</math> and EXCOP. Refer to Initialization And Clocking group for a description of EXCOP.</p> <p><math>\overline{\text{EADS}}</math> connects to the 80486 EADS input to run cache invalidation cycles.</p>
207	$\overline{\text{BS16}}$	O	<p><b>BUS SIZE 16</b> Translate +3 <math>\overline{\text{BS16}}</math> is asserted to the 80386/80486 processor whenever an AT Bus cycle is generated.</p>

TABLE 3-2. SIGNAL DESCRIPTIONS (Continued)



PIN NUMBER	MNEMONIC	I/O	DESCRIPTION
<i>MAIN PROCESSOR CONTROL (Cont.)</i>			
55	A31	I/O	<b>Processor Address Bus A(31:2)</b> Translate +3
	$\overline{\text{SXLOWEN}}$	O	For 80486 and 80386DX cycles, A(31:2) are inputs.
56	A29	I/O	For Master cycles, A(23:2) are inputs.
	$\overline{\text{SUSP}}$	O	For DMA and refresh cycles, A(23:2) are outputs.
	$\overline{\text{STP\_REQ}}$	O	
	$\overline{\text{DFS\_REQ}}$	O	For Cache invalidation during DMA and Master cycles A31, A29 and A(27:24) outputs are forced low.
57	A27	I	
	$\overline{\text{SXSWPEN}}$	O	
58:60	A(26:24)	I/O	<b>SXLOWEN, SXSWPEN</b> In 80386SX mode A(31:24) are not used and are forced low internally. Pins 55 and 57 become outputs $\overline{\text{SXLOWEN}}$ and $\overline{\text{SXSWPEN}}$ which provide buffer control for the 80386SX CPU data buffers.
61:65	A(23:19)	I/O	
67:70	A(18:15)	I/O	
72:79	A(14:7)	I/O	
81:85	A(6:2)	I/O	
			<b>Suspend (<math>\overline{\text{SUSP}}</math>), Stop Clock Request (<math>\overline{\text{STP\_REQ}}</math>), Dynamic Frequency Shift Request (<math>\overline{\text{DFS\_REQ}}</math>)</b> In Weitek mode, pin 56 is A29. When A29 = 0, A31 = 1 and M/I/O on pin 128 = 1, a Weitek cycle is decoded internally.  When not in Weitek mode, pin 56 serves as: Stop Clock Request ( $\overline{\text{STP\_REQ}}$ ) for Intel CPUs. Suspend ( $\overline{\text{SUSP}}$ ) for Cyrix CPUs. DFS Request ( $\overline{\text{DFS\_REQ}}$ ) for IBM BL CPU.
133	$\overline{\text{SUSPA}}$	I	<b>Suspend Acknowledge</b> Translate +3 For Cyrix CPUs pin 133 is $\overline{\text{SUSPA}}$ , a response to $\overline{\text{SUSP}}$ on pin 56.
	$\overline{\text{DFS\_RDY}}$	I	<b>DFS Ready</b> For IBM CPUs pin 133 is $\overline{\text{DFS\_RDY}}$ , a response to $\overline{\text{DFS\_REQ}}$ on pin 56.
135	$\overline{\text{BLAST}}$	I	<b>Blast</b> Translate +3  In 80486 Mode, $\overline{\text{BLAST}}$ is input from the 80486 to indicate the end of the last burst cycle.

TABLE 3-2. SIGNAL DESCRIPTIONS (Continued)





PIN NUMBER	MNEMONIC	I/O	DESCRIPTION
<i>NUMERIC PROCESSOR CONTROL</i>			
92	$\overline{\text{NPERR}}$	I	<b>Numeric Processor Error</b> Translate +3 80386 Mode - $\overline{\text{NPERR}}$ is the error signal from the 80387 numeric processor. If asserted while $\overline{\text{NPBUSY}}$ is active, an internal IRQ13 is asserted.
	$\overline{\text{FERR}}$	I	<b>Floating Point Error</b> 80486 Mode - This is the $\overline{\text{FERR}}$ from the 80486. When asserted, it generates an internal IRQ13.
94	$\overline{\text{NPBUSY}}$	I	<b>Numeric Processor Busy</b> Pin 94 is shared by $\overline{\text{NPBUSY}}$ and $\overline{\text{GPREGWR}}$ , refer to Miscellaneous group for a description of $\overline{\text{GPREGWR}}$ .  When operating in External Coprocessor Mode, pin 94 is $\overline{\text{NPBUSY}}$ , the busy status of the 80387 coprocessor. If $\overline{\text{NPERR}}$ goes low while $\overline{\text{NPBUSY}}$ is active, an internal IRQ13 is generated and the EXBUSY output on pin 206 goes active.
100	$\overline{\text{NPRST}}$	O	<b>Numeric Processor Reset</b> Translate +3 In External Coprocessor Mode ( $\overline{\text{EXCOP}}$ asserted), this pin is $\overline{\text{NPRST}}$ and is used to reset the numeric processor.
<i>DRAM MEMORY CONTROL</i>			
51	$\overline{\text{MDIR}}$	O	<b>Memory Direction</b> Translate +3 $\overline{\text{MDIR}}$ determines the direction of the DRAM data buffers if required.  When high, the direction is from CPU Data Bus to Memory Data Bus. When low, the direction is from Memory Data Bus to CPU Data Bus.
53	$\overline{\text{DRMWR}}$	O	<b>DRAM Write</b> Translate +3 $\overline{\text{DRMWR}}$ operates as one DRAM write enable for all DRAMs in all banks. It must be buffered externally if the load exceeds 450 pF.
50	$\overline{\text{MDEN}}$	O	<b>Memory Data Enable</b> Translate +3 $\overline{\text{MDEN}}$ enables the memory data buffers, if required.

TABLE 3-2. SIGNAL DESCRIPTIONS (Continued)



PIN NUMBER	MNEMONIC	I/O	DESCRIPTION
<i>DRAM MEMORY CONTROL (Cont.)</i>			
150	RA11/CS2	O	<p><b>DRAM Address Bits RA(11:0)</b> Translate +3</p> <p><b>EDATA Bits ED(7:0)</b></p> <p><b>Chip Select Bits CS(4:0)</b></p> <p style="text-align: center;"><b>DRAM Address</b></p> <p>RA(11:4), RA3B, RA3A and RA(2:0) are output signals controlled by the System Controller. During DRAM cycles they are used to select the DRAM row and column.</p> <p>RA3B is the multiplexed DRAM address for banks 1 and 3.</p> <p>RA3A is the multiplexed DRAM address for banks 0, 2 and 4.</p> <p>RA(11:0) are designed to directly drive DRAMs and have controllable output strength for driving heavy capacitive loads. If the load exceeds 450 pF, it is necessary to use external buffers.</p> <p style="text-align: center;"><b>EDATA</b></p> <p>ED(7:0) are I/O signals representing data to or from devices such as the Keyboard Controller on the EDATA bus.</p> <p style="text-align: center;"><b>Chip Select</b></p> <p>CS(4:0) are output only signals, decoded by external logic to provide one of 32 possible Chip Selects.</p>
149	RA10/CS1	O	
148	RA9/CS0	O	
147	RA8/ED7	I/O	
145	RA7/ED6	I/O	
144	RA6/ED5	I/O	
143	RA5/ED4	I/O	
142	RA4/ED3	I/O	
141	RA3B/CS4	O	
140	RA3A/CS3	O	
138	RA2/ED2	I/O	
137	RA1/ED1	I/O	
136	RA0/ED0	I/O	
114:110	<u>RAS(4:0)</u>	O	<p><b>Row Address Select 4:0</b> Translate +3</p> <p><u>RAS4:0</u> are the row address select signals for banks 4 through 0.</p> <p><u>RAS4:0</u> are designed to drive up to a 150 pF load directly. For loads that exceed 150 pF, they must be buffered externally before being connected to the DRAMs.</p>

TABLE 3-2. SIGNAL DESCRIPTIONS (Continued)



PIN NUMBER	MNEMONIC	I/O	DESCRIPTION
<i>DRAM MEMORY CONTROL (Cont.)</i>			
115:116 118:119 121:124	$\overline{\text{CAS0}}(3:2)$ $\overline{\text{CAS0}}(1:0)$ $\overline{\text{CAS1}}(3:0)$	O	<p><b>Column Address Select 0 (3:0)</b> Translate +3</p> <p><b>Column Address Select 1 (3:0)</b></p> <p><math>\overline{\text{CAS0}}(3:0)</math> are the four column address select signals for banks 4, 2 and 0.</p> <p><math>\overline{\text{CAS1}}(3:0)</math> are the four column address select signals for banks 3 and 1.</p> <p>There is a <math>\overline{\text{CAS}}</math> signal for each byte in a 32 bit word.</p> <p>During read operations, all <math>\overline{\text{CAS}}</math>s are activated. During memory write operations, the only <math>\overline{\text{CAS}}</math> signals that are active are those with the corresponding <math>\overline{\text{BE}}(3:0)</math> active.</p> <p><math>\overline{\text{CAS0}}(3:0)</math> and <math>\overline{\text{CAS1}}(3:0)</math> drive the DRAM lines directly.</p>
<i>DATA BUS</i>			
192:191 189:182 180:174 172:167 165:157	D(31:30) D(29:22) D(21:15) D(14:9) D(8:0)	I/O	<p><b>Data Bits 31 Through 00</b> Translate +3</p> <p>This is a four byte data bus connected directly to Local devices and Numeric processors. The WD8110 generates and checks even parity for each of the four bytes during CPU and DMA cycles. The parity appears on DP(3:0).</p>
205:203 201	DP(3:1) DP0	I/O	<p><b>Data Parity 3 through 0</b> Translate +3</p> <p>These are the even parity bits generated and checked by the WD8110 during 386 and DMA cycles. DP3 = D(31:24), DP2 = D(23:16), DP1 = D(15:8) and DP0 = D(7:0).</p>
130	$\overline{\text{LDS32}}$	I	<p><b>Local Data Size 32</b> Translate +3</p> <p><math>\overline{\text{LDS32}}</math> is asserted when a device such as Weitek 4167 or Video Local Bus Interface on the 80486 local bus will complete this cycle and generate <math>\overline{\text{RDY486}}</math>. <math>\overline{\text{LDS32}}</math> is sampled at the end of T2.</p>
<i>POWER MANAGEMENT</i>			
129	PDREF	I	<p><b>Power Down Refresh</b> Translate +3</p> <p>PDREF is a 64 KHz signal from the WD76C20. During power down, PDREF is passed internally to REFRESH (pin 40 of the WD8110).</p>
132	PMCIN	I	<p><b>Power Management Control Input</b> Translate +3</p> <p>PMCIN is used to sample eight PMC inputs selected by MXCTL(2:0). See Table 5-1 and Figure 5-1.</p>

TABLE 3-2. SIGNAL DESCRIPTIONS (Continued)



PIN NUMBER	MNEMONIC	I/O	DESCRIPTION
<i>MISCELLANEOUS</i>			
206	EXBUSY	O	<b>Extended Coprocessor Busy</b> Translate +3 In External Coprocessor Mode ( $\overline{\text{EXCOP}}$ asserted), this pin is $\overline{\text{EXBUSY}}$ and is used by external logic to generate $\overline{\text{BUSY386}}$ and $\overline{\text{EPEREQ}}$ for 80387 error handling in AT compatible mode.
	$\overline{\text{GPREGRD}}$		<b>General Purpose Register IO Read</b> When not in External Coprocessor Mode ( $\overline{\text{EXCOP}}$ de-asserted), this pin is $\overline{\text{GPREGRD}}$ and is used to enable reading 16-bit external General Purpose IO registers. Pin 206 has an internal programmable resistor. See Port Address 9472H in Section 11.1.1.
94	$\overline{\text{GPREGWR}}$	O	<b>General Purpose Register IO Write</b> Translate +3 Pin 94 is shared by $\overline{\text{GPREGWR}}$ and $\overline{\text{NPBUSY}}$ . Refer to Numeric Processor Control group for a description of $\overline{\text{NPBUSY}}$ . Pin 94 has an internal programmable resistor. See Port Address 9472H in Section 11.1.1.
			When not in External Coprocessor Mode ( $\overline{\text{EXCOP}}$ de-asserted), pin 94 is $\overline{\text{GPREGWR}}$ and is used to enable writing to 16-bit external General Purpose IO registers.
96	ROMBA16	O	<b>ROM Bank Switch 16</b> Translate +3
97	ROMBA17	O	<b>ROM Bank Switch 17</b>
98	ROMBA18	O	<b>ROM Bank Switch 18</b> Pin 96 is shared by ROMBA16 and 3VBUFFER Pin 97 is shared by ROMBA17 and 3VCORE Pin 98 is shared by ROMBA18 and $\overline{\text{SXM}}$ . Refer to the Initialization And Clocking group for a description of 3VBUFFER, 3VCORE and $\overline{\text{SXM}}$ .
			ROMBA(16:18) control address bits for up to 512 KB of BIOS ROM mapped into the 64K regions at C0000, D0000, E0000 and F0000.. See Port Address C072H in Section 4.3 for more information.
200	SPKR	O	<b>Speaker</b> Translate +3 SPKR drives the speaker transistor and is used for diagnostics.
14, 28, 41 66, 80, 95 109, 117 131, 146 166, 181 194, 202	VSS	I	<b>GROUND</b>
17, 37	VDD5V	I	<b>+5 VOLTS</b>

TABLE 3-2. SIGNAL DESCRIPTIONS (Continued)



PIN NUMBER	MNEMONIC	I/O	DESCRIPTION
<i>MISCELLANEOUS (Cont.)</i>			
71, 88, 120, 139, 173, 190	VDD3V	I	+3.3 volts in mixed voltage systems. +5 volts in 5 volt only systems

TABLE 3-2. SIGNAL DESCRIPTION (Continued)



## 4.0 INITIALIZATION, CLOCKING AND ROM BANK SELECTION

This section describes the system Master Reset ( $\overline{RSTIN}$ ) operation, control of internal clock (CLK14), bus clock (SYSCLK) and the processor clock (CPUCLK).

### 4.1 POWER UP RESET

The system reset signal,  $\overline{RSTIN}$ , is generated externally at power up and is used to reset the entire system. When asserted, the System Controller outputs the CPURES signal to reset the CPU. At this time, the System Controller also resets the AT Bus by asserting DACKEN and  $\overline{MXCTL}(2:0) = 100$ , which are decoded externally as BUS\_RST (DACK4). See Sections 5.1, 5.1.1, Table 5-1 and Figure 5-1. An external RC circuit can be used to extend the time that  $\overline{RSTIN}$  is asserted until the power supply reaches a proper level. CPURES and BUS\_RST (AT Bus reset) signals are de-asserted 1 ms beyond the de-assertion of  $\overline{RSTIN}$ .

During Power-Up-Reset the following strap options are sampled. The functions are described in Sections 4.1.1 through 4.1.7. Table 4-1 summarizes the strap options and the multiplexed signals they control. The state of these strap options may be read at Port Addresses 8C72H and C072H.

MODE486	- pin 103	$\overline{SXM}$	- pin 98
3VBUFFER	- pin 96	3VCORE	- pin 97
1X/2X	- pin 151	EXCOP	- pin 108
WTKMODE	- pin 101	CLKTEST	- pin 153

#### 4.1.1 Type of Processor

The System Controller is capable of operating with an 80486SX/DX or 80386SX/DX processor. MODE486 and  $\overline{SXM}$  determine the type of processor used.

If MODE486 is strapped high, the 80486SX/DX CPU mode is selected. In this mode  $\overline{SXM}$  is ignored.

If MODE486 is strapped low and  $\overline{SXM}$  strapped high, the 80386DX mode is selected.

If MODE486 and  $\overline{SXM}$  are strapped low, the 80386SX mode is selected and the System Controller generates SXLOWEN and SXSWPEN

signals to route 32-bit data to the 16-bit data path of the 80386SX.

#### 4.1.2 3 Volt or 5 Volt Operation

The WD8110LV is designed to operate at 5 volts, 3 volts or a mix of 5 and 3 volts.

If 3VBUFFER is strapped low, the AT Buffer operates at 5 volts. If high the AT Buffer operates at 3 volts.

If 3VCORE is strapped low, the WD8110 core logic operates at 3 volts. If high, the core operates at 5 volts.

The following table presents the legitimate combinations.

3VBUFFER	3VCORE	
High	Low	3 Volt design, all VDD equal 3 volts.
Low	Low	IO Buffer at 5 volts, Core at 3 volts.
Low	High	5 Volt design, all VDD equal 5 volts.
High	High	Illegal combination.

#### 4.1.3 Clock Select

1X/2X determines the type of CPUCLK.

If 1X/2X is strapped low:

The processor (for example, 80386DX) uses a double frequency input clock. At  $\overline{RSTIN}$ , BCLK2 is selected as the CPUCLK source and is divided by two internally.

If 1X/2X is strapped high:

The processor (for example, 80486DX) uses an input clock that matches its operating frequency. At  $\overline{RSTIN}$ , OSCIN is selected as the CPUCLK source.

The CPUCLK source as selected by 1X/2X strapping may be overridden by the SCR bit at Port 1072H.



#### 4.1.4 External 80387 Support

$\overline{\text{EXCOP}}$  indicates whether an External 80387 Coprocessor is supported.

If  $\overline{\text{EXCOP}}$  is strapped low, an External 80387 Coprocessor is supported and pins 206 and 94 operate as Extended Coprocessor Busy ( $\overline{\text{EXBUSY}}$ ) and Numeric Processor Busy ( $\overline{\text{NPBUSY}}$ ), respectively.

If  $\overline{\text{EXCOP}}$  is strapped high, an External 80387 Coprocessor is not supported and pins 206 and 94 operate as General Purpose Register IO Read ( $\overline{\text{GPREGRD}}$ ) and General Purpose Register IO Write ( $\overline{\text{GPREGWR}}$ ). See Section 11.1 for a description of the General Purpose Registers.

#### 4.1.5 Weitek Mode

$\overline{\text{WTKMODE}}$  strapping option is used to indicate that a Weitek numeric processor is supported.

If  $\overline{\text{WTKMODE}}$  is strapped low, the Weitek Mode is selected and pins 39, 4 and 56 function as  $\overline{\text{WTKIRQ13}}$ ,  $\overline{\text{LOWMEG}}$  and address bit A29, respectively.

If  $\overline{\text{WTKMODE}}$  is strapped high, pins 39, 4 and 56 function as  $\overline{\text{SMEMW}}$ ,  $\overline{\text{SMEMR}}$  and  $\overline{\text{SUSP/STP\_REQ/DFS\_REQ}}$ , respectively.

#### 4.1.6 Clock Test

$\overline{\text{CLKTEST}}$  must be strapped high for normal operation.  $\overline{\text{CLKTEST}}$  is strapped low for factory test purposes.



SIGNAL	OPTION	MULTIPLEXED SIGNALS
Pin 103 MODE486	High = 486 Mode → Low = 386 Mode →	Pin 92 FERR NPERR
Pin 98 SXM	Low = 80386SX Mode → High = 80386DX Mode → (MODE486 must be strapped low to enable SXM)	Pin 55 SXLOWEN A31 Pin 57 SXSHPEN A27 Pin 89 SXA1 BE2 Pin 90 SXBHE BE1 Pin 91 SXBLE BE0
Pin 96 3VBUFFER	Low = AT I/O Buffer powered at 5 volts High = AT I/O Buffer powered at 3 volts	
Pin 97 3VCORE	Low = Core powered at 3.3 volts High = Core powered at 5 volts	
Pin 151 1X/2X	Low = CPU uses double frequency clock (CLK2) High = CPU uses single frequency clock (CLK)	
Pin 108 EXCOP	Low = Enable 80387 → High = Enable General Purpose Register R/W →	Pin 94 NPBUSY GPREGWR Pin 206 EXBUSY GPREGDR
Pin 101 WTKMODE	Low = Weitek Coprocessor supported → High = CPU Stop Clock supported →	Pin 4 LOWMEG SMEMR Pin 39 WTKIRQ13 SMEMW Pin 56 A29 SUSP/STP_REQ/DFS_REQ
Pin 153 CLKTEST	Low = Clock test mode High = Normal operation	

TABLE 4-1. STRAPPING OPTION SUMMARY





## 4.2 CLOCKING

The System Controller clocking logic makes use of seven clocks and four registers to control the selection and speed of the clocks. Some of these clocks are used internally by the System Controller. Three of the clocks are used externally by the System Bus and CPU. Figure 4-1 shows how the clocks interact with each other and the registers used to select the clock and speed.

### AutoFast for 1X Clock Intel CPUs.

The Stop Grant AutoFast mode, as enabled by bit 5 at Port Address 1072H, emulates low speed CPU clock operation by periodically placing the CPU in a low power Stop Grant state. During times that autofast logic selects the lower CPU clock speed,  $\overline{STP\_REQ}$  will be asserted for either 732  $\mu$ s or 854  $\mu$ s out of every 976  $\mu$ s, effectively providing either a divide by 4 or divide by 8 of the normal clock speed. This does not change the clock to the CPU.

This enhanced mode provides key advantages over actually changing the clock speed when using a 1X clock CPU with a PLL in its clock input.

- The effective clock rate is lower than the minimum 8 MHz restriction imposed by some CPUs.
- There is far less latency in returning to high speed since there is no 1 ms requirement for the CPU's PLL to settle down as there is after a clock frequency change.

There are two methods in which the Stop Grant AutoFast mode may operate.

- $\overline{STP\_REQ}$  output pin is asserted automatically by the autofast logic.
- The autofast logic causes an SMI each time  $\overline{STP\_REQ}$  must be asserted and it is the responsibility of the SMI handler to actually assert it.

Refer to I/O registers at Port Address 1072H bits 7:4 and 7472H bit 11.

### Enhanced AutoFast Activity Detection Logic

The AutoFast activity detect function is designed to reduce the possibility of slowing the CPU while it is performing useful operations. This enhanced

logic speeds up the CPU during memory writes to address range 128K to 1M.

Refer to the register at Port Address 7472H bit 12.

### CPU Phase Lock Loop Stabilization Support

For 1X clock CPUs, incorporating a PLL in the clock input usually requires a delay of 1 ms between any change in clock frequency and the deassertion of the  $\overline{STP\_REQ}$  output. CSUDLY and CSCDLY in registers 7472H and 8C72H support this requirement. They enforce a 1 to 2 ms delay for clock stop and speed change functions.

#### 4.2.1 Internal Clock (CLK14)

CLK14 is an input signal from a 14.318 MHz crystal and is used for the control of the 8254 compatible timers. CLK14 is switched by the WD76C20 to 32 KHz during save and resume operations.

#### 4.2.2 Internal Clock (CLK32K)

CLK32K is a 32KHz clock derived from the 64 KHz PDREF signal at pin 129, divided by two. Although its value cannot be changed, it can be read at Port Address E472H bit 15.

#### 4.2.3 Local Bus Clock For 2X CPU Mode (LBCLK)

LBCLK is CPUCLK divided by 2 for use with VESA local bus devices. Generally, this output is only useful when 1X/2X is strapped low. A clock selection jumper for the VESA bus is required if both 1X and 2X CPUs are used on the same motherboard. CPUCLK would be selected when a 1X CPU is used. See Figure 4-1 and CPU Clock Control register description at Port Address 1072H.

#### 4.2.4 System Bus Clock (SYSCLK)

The AT bus is driven by SYSCLK, which is derived from either BCLK2 in asynchronous mode or CPUCLK in synchronous mode, as selected by the Bus Timing Register at Port Address 1872H. SYSCLK is always one half or one fourth the value of the selected input clock (refer to Figure 4-1).



#### 4.2.5 Processor Clock (CPUCLK)

The Processor Clock (CPUCLK) is an output from the System Controller. At Power-Up-Reset, the CPUCLK signal defaults to the OSCIN input frequency if  $1X/2X$  is strapped high, or to BCLK2 if  $1X/2X$  is strapped low. CPUCLK may be changed to a lower frequency to reduce power.

In 80386 mode, CPUCLK is a 2X clock for the 80386 CPU.

After Power-On-Reset the CPUCLK may be stopped or the source and speed changed, by programming the CPU Clock Control Register at Port Address 1072H.

When CPUCLK is stopped it is in phase two. CPUCLK is restarted by an NMI or IRQ interrupt, qualified by the normal NMI and IRQ masking circuitry or by an NMI generated PMC logic. In Intel Mode STP\_REQ is automatically generated.

CPUCLK can be divided down to the processor execution rate to provide software compatibility with programs expecting a particular CPU speed, such as game software. Dividing the clock rate may also have an effect on the CPU power consumption, so CLK\_SPD also provides some choices of clock duty cycle.

OSCIN or BCLK2 can be used as the CPUCLK source. This choice is determined by SRC of the CPU Clock Control Register. SRC is set automatically at power-up-reset based upon the strap options.



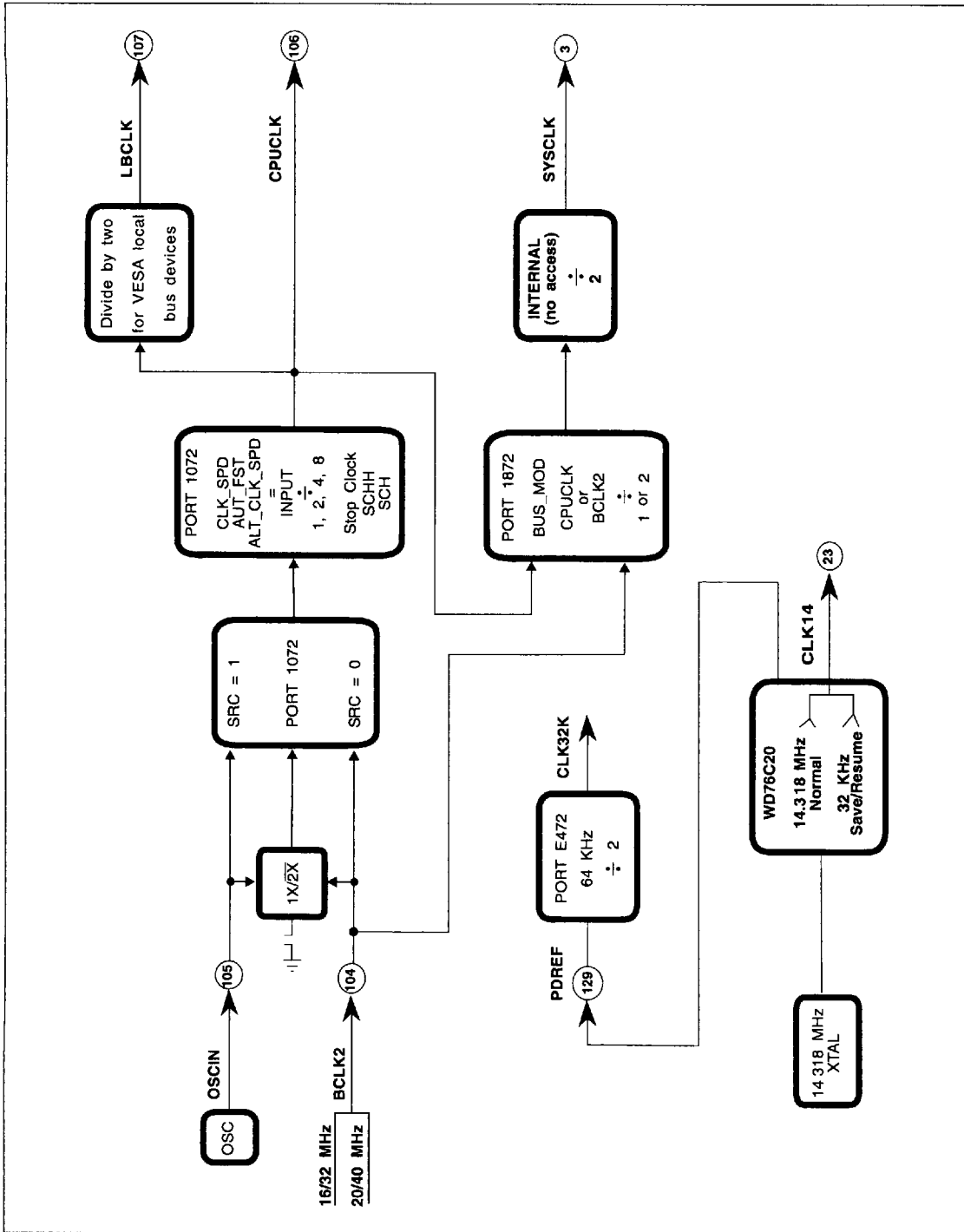


FIGURE 4-1. CLOCK CONTROL



**4.2.6 CPU Clock (CPUCLK) Control Register**

Port Address 1072H -

Bits 15:8, 06:00 Read and Write  
 Bit 07 Read, Write and Clear

<b>15</b>	<b>14</b>	<b>13</b>	<b>12</b>	<b>11</b>	<b>10</b>	<b>09</b>	<b>08</b>
SRC	CLK_SPD			AUT_FST	ALT_CLK_SPD		

<b>07</b>	<b>06</b>	<b>05</b>	<b>04</b>	<b>03</b>	<b>02</b>	<b>01</b>	<b>00</b>
ASRE	ASMIS	SGAE	SGD4			SCHH	SCH

Signal Name	Default At RSTIN
SRC	0/1
CLK_SPD	001
AUT_FST, ALT_CLK_SPD	0000
ASRE	None
ASMIS, SGRE, SGD4	000
Bits 03, 02	None
SCH, SCHH	00

**Bit 15 - SRC, CPUCLK Clock Source**

SRC determines whether CPUCLK is to be driven by BCLK2 or OSCIN.

SRC = 0 -  
 BCK2 is the CPUCLK source.  
 Default for when 1X/2X is strapped low.

SRC = 1 -  
 OSCIN is the CPUCLK source.  
 Default for when 1X/2X is strapped high.

**Bits 14:12 - CLK\_SPD, CPUCLK Clock Speed**

CLK\_SPD

14	13	12	
0	0	0	- Reserved
0	0	1	- source divided by 1.
0	1	0	- source divided by 2.
0	1	1	- source divided by 4, 25% duty cycle.
1	0	0	- source divided by 4, 75% duty cycle.
1	0	1	- source divided by 8, 12% duty cycle.
1	1	0	- source divided by 8, 88% duty cycle.
1	1	1	- source divided by 64, 98% duty cycle.

**Bit 11 - AUT\_FST, Automatic Processor Clock Speed Switching**

When automatic CPUCLK switching is enabled, the processor clock is switched between high and low clock speeds, depending upon activity. If the external TURBO signal is de-asserted when auto switching is enabled, the CPUCLK is normally at the alternate clock or slower rate. When speedup activity occurs, the clock speed switches to the nominal clock rate, normally the higher, for a period of time determined by Table 4-3. When no further activity occurs, the clock speed switches back down to the alternate speed. If the external TURBO signal is asserted, the clock rate is set to the nominal clock rate specified by the CLK\_SPD field.

A halt state also causes the clock rate to slow, unless the SCHH or SCH field is programmed to stop the clock. The clock restarts or returns to the faster rate when any interrupt occurs.

Table 4-3 shows the activity that triggers a higher clock rate.

**AUT\_FST = 0 -**

Automatic Clock Switching is disabled. TURBO determines whether CLK\_SPD or ALT\_CLK\_SPD is to be used as the CPU clock. Refer to Table 4-2 for the appropriate selection, as determined by TURBO.

**AUT\_FST = 1 -**

Automatic CPUCLK Switching between CLK\_SPD and ALT\_CLK\_SPD is enabled when TURBO is de-asserted. CLK\_SPD is selected when TURBO is asserted. Refer to Table 4-2.



TURBO	AUT_FST	CPU CLOCK SPEED
0	X	CLK_SPD
1	0	ALT_CLK_SPD
1	1	CLK_SPD or ALT_CLK_SPD

TABLE 4-2. CLOCK SWITCH SELECTION

SPEEDUP ACTIVITY	TIME PERIOD
Hard disk interrupt, Hard disk or numeric processor I/O, SCSI, floppy, port B I/O.	1 second
Keyboard interrupt.	1 second or until next video access.
Video access or processor reset. Any NMI or IRQ interrupt, except keyboard or hard disk.	1 millisecond

TABLE 4-3. SPEEDUP ACTIVITY

**Bits 10:08 - ALT\_CLK\_SPD**, Alternate Clock Speed

ALT\_CLK\_SPD

10 09 08

- 0 0 0 - CPUCLK unchanged from CLK\_SPD.
- 0 0 1 - source divided by 1.
- 0 1 0 - source divided by 2.
- 0 1 1 - source divided by 4, 25% duty cycle.
- 1 0 0 - source divided by 4, 75% duty cycle.
- 1 0 1 - source divided by 8, 12% duty cycle.
- 1 1 0 - source divided by 8, 88% duty cycle.
- 1 1 1 - source divided by 64, 98% duty cycle.

**Bit 07 - ASRE**, AutoFast Stop Request Enable

ASRE must be set to 1 to allow the autofast logic to assert STP\_REQ. This permits an SMI handler to control STP\_REQ assertion when ASMIE at Port Address 7472H bit 11 is set. With ASMIE set, ASRE is automatically reset when the autofast logic determines it is time to deassert STP\_REQ. This automatic reset assures that STP\_REQ cannot be reasserted until ASRE is again set by an SMI handler.

When it is more desirable to allow the autofast logic to control the assertion of STP\_REQ with no intervention by an SMI handler, ASMIE is set to 0 and ASRE will no longer be cleared automatically by the autofast logic. In this case, ASRE need only be set once. Note that ASRE can be used in this mode to gate autofast operations, since STP\_REQ cannot be asserted while ASRE is 0.

ASRE is ignored when WD8110/LV is not in the Stop Grant AutoFast mode (SGAE = 0)

ASRE = 0 -

Autofast logic cannot assert STP\_REQ.

ASRE = 1 -

Autofast logic can assert STP\_REQ.

**Bit 06 - ASMIS**, AutoFast SMI Status

ASMIS = 0 -

The autofast logic has not generated an SMI.

ASMIS = 1 -

This signals the SMI handler that the source of the SMI is a request from the autofast logic to enter the Stop Grant state. The SMI handler must clear ASMIS by writing a 1 to it. Writing a 0 has no effect. It is permissible to clear ASMIS and set ASRE simultaneously.

**Bit 05 - SGAE**, Stop Grant AutoFast Enable

SGAE is the master enable for the Stop Grant AutoFast mode.

SGAE = 0 -

Stop Grant AutoFast mode is not enabled.

SGAE = 1 -

Autofast logic emulates low speed operation of the CPU by periodically asserting the STP\_REQ output, thereby placing the CPU in a low power stop grant state. **For proper operation, ALT\_CLK\_SPD in this register must be set to 000.**

**Bit 04 - SGD4**, Stop Grant Divide By 4

SGD4 sets the effective clock speed divisor for stop grant emulation of low speed during autofast. SGD4 is ignored unless the WD8110/LV is in the Stop Grant AutoFast mode (bit 5 - SGAE = 1).



SGD4 = 0 -  
The CPU will execute for 122  $\mu$ s out of each 976  $\mu$ s time period (effectively a divide by 8).

SGD4 = 1 -  
The CPU will execute for 244  $\mu$ s out of each 976  $\mu$ s time period (effectively a divide by 4).

**Bits 03:02** - Reserved for future use, must be set to zero

**Bit 01 - SCHH**, Stop CPUCLK at next Halt and Hold.

SCHH is applicable only for static type processors in which the clock may be stopped.

Any unmasked processor interrupt, SMI or NMI, restarts the CPUCLK. The SCHH bit remains set and the clock will be stopped again if a halt and hold condition is detected. The refresh rate may be as programmed by the Refresh Timer at Port Address 041H or at the slower rate selected by the Refresh Control Register at Port Address 2072H.

SCHH = 0 -  
Normal processor clock.

SCHH = 1 -  
Stop processor clock at next halt and hold cycle.

**Bit 00 - SCH**, Stop CPUCLK at next Hold

SCH is applicable only for static type processors in which the clock may be stopped.

Any unmasked processor interrupt, SMI or NMI, restarts the CPUCLK and sets the SCH bit to zero. DRAM refresh continues while the processor clock is stopped. The refresh rate may be as programmed by the Refresh Timer at Port Address 041H or at the slower rate as selected by the Refresh Control Register at Port Address 2072H.

SCH = 0 -  
Normal processor clock.

SCH = 1 -  
Stop processor clock at next processor hold cycle.

**4.2.7 Clock Stop/Speed Control Register**

Port Address 8C72H - Bits 15:10 Read only  
Bits 09:00 Read and Write

This register performs the following functions:

- Reads the state of six external strap options. The remaining strap options may be read at Port Address C072H.
- Works in conjunction with the CPU Clock Control Register at Port Address 1072H to change the clock speed through AutoFast, or stop the clock, depending on whether the CPU is an IBM, Intel or Cyrix.
- Enables pullup resistors on the AT data bus SD(0:7)
- Allows actual hardware interrupts to be forced on IRQ1 (keyboard) and IRQ12 (mouse). This assists the SMI handler in replacing the function of the Keyboard controller by performing I/O traps on keyboard controller I/O locations.

15	14	13	12	11	10	09	08
Rsv.	SXM	Strap Options MODE EXT_ 3V_ 3V_ _486 COP BUFF CORE			CSCD E	SCK1	

07	06	05	04	03	02	01	00
Clock Control SCK0 EN_ SCK		SMI_ FST	AT_ PUEN	Interrupt Generation IR12_ IR1_ IR12_ IR1_ SL SL AL AL			

Signal Name	Default At RSTIN
Strap Options	None
CSCDE	0
EN_IDE	0
Clock Control	0
AT_PUEN	0
Interrupt Generation	0

**Bit 15** - Reserved



**Bit 14 - SXM, SX Mode**

SXM represents an inversion of the state of the SXM strapping option. When in 80386SX/DX mode, SXM selects between SX and DX Mode. When MODE486 is strapped high, SXM is ignored. See Section 4.1.1.

SXM = 0 -  
80386DX mode is selected.

SXM = 1 -  
80386SX mode is selected.

**Bit 13 - MODE486, 80486SX/DX Mode**

MODE486 represents an inversion of the state of the MODE486 strapping option. See Section 4.1.1.

MODE486 = 0 -  
The 80386SX/DX mode is selected and SXM selects between SX and DX.

MODE486 = 1 -  
The 80486SX/DX mode is selected and SXM is ignored.

**Bit 12 - EXCOP, External Coprocessor**

EXCOP represents an inversion of the state of the EXCOP strapping option. See Section 4.1.4.

EXCOP = 0 -  
An external 80387 coprocessor is not supported.

EXCOP = 1 -  
An external 80387 coprocessor is supported.

**Bit 11 - 3VBUFF, 3 Volt AT Buffer**

3VBUFF represents the state of the 3VBUFFER strapping option. See Section 4.1.2.

3VBUFF = 0 -  
The AT Buffer operates at 5 volts.

3VBUFF = 1 -  
The AT Buffer operates at 3.3 volts.

**Bit 10 - 3VCORE, 3 Volt Core**

3VCORE represents an inversion of the state of the 3VCORE strapping option. See Section 4.1.2.

3VCORE = 0 -  
The WD8110 Core logic is powered by 5 volts.

3VCORE = 1 -  
The WD8110 Core logic is powered by 3.3 volts.

**Bit 09 - CSCDE, Clock Speed Change Delay Enable**

CSCDE works in conjunction with the CLK\_SPD and ALT\_CLK\_SPD fields in the CPU Clock Control register at Port Address 1072H. CSCDE is provided for support of Intel 1X clock processors which require 1 ms for the CPU's PLL to stabilize after a frequency change.

For CSCDE to be effective the following parameters must be set:

- IBM Mode selected by bits 08:07 of this register, SCK(1:0) = 10.
- IBM 2X Clock Control Mode selected by IBM\_2X (bit 13) = 1 in the Diagnostic Register at Port Address 9872H.

This mode also works for speed changes with an Intel CPU. However, Intel Clock Control Mode must still be selected by setting SCK(1:0) = 00 to stop the clock using the SCH or SCHH bits in the register at Port Address 1072H. See CSUDE bit 10 in register at Port Address 7472H.

CSCDE = 0 -  
Clock Speed Change Delay disabled.

CSCDE = 1 -  
A 1 to 2 ms delay is enforced between a speed change in the CPU clock and the deassertion of STP\_REQ.



**Bits 08:07 - SCK(1:0), Stop Clock Control Function Select**SCK(1:0)  
08 07

- 0 0 - In Intel Mode, pin 56 provides the STP\_REQ handshake with Intel CPUs that implement a stop clock hand shake. This is used to either stop the CPU clock at the next HOLD cycle when SCH in Register 1072H is set to one, or to do a halt initiated CPU clock stop when the SCHH bit in Port Address 1072H is set to one.
- 0 1 - In Cyrix Mode, pins 56 and 133 provide the SUSP, SUSPA handshake with Cyrix CPUs. This is used to either stop the CPU clock at the next HOLD cycle when SCH in Register 1072H is set to one, or to do a halt initiated CPU clock stop when the SCHH bit in Register 1072H is set to one.
- 1 0 - In IBM Mode, pins 56 and 133 provide the DFS\_REQ, DFS\_RDY clock frequency change handshake that occurs automatically whenever a clock speed change occurs, such as through AUT\_FST
- 1 1 - Reserved. Do not use this configuration.

**Bit 06 - ENSCK, Enable Stop Clock Handshake**

ENSCK is the Master Enable for stop clock handshake functions when SCK(1:0) are set to either 00 or 01 (Intel or Cyrix mode). ENSCK has no effect when SCK(1:0) is set to 10 (IBM mode). The IBM CPU has an internal enable which performs the same function.

ENSCK = 0 -  
SCK(1:0) modes 0X are disabled. However, the CPUCLK will still stop without using the handshake protocol.

ENSCK = 1 -  
SCK(1:0) modes 0X are enabled.

**Bit 05 - SMIFST, SMI Fast Handler Execution**

SMIFST = 0 -  
AUT\_FST circuits not affected by SMI.

SMIFST = 1 -  
AUT\_FST circuitry switches the CPUCLK speed to the higher rate for the entire time SMI handler code is being executed plus 1 ms.

**Bit 04 - ATPUEN, AT Bus Pullup Enable**

ATPUEN = 0 -  
Pullup resistors are not enabled.

ATPUEN = 1 -  
Internal pullup resistors on the AT Data Bus SD(7:0) are enabled. The resistors are in the range of 30K to 100K ohms.

**Bit 03 - IR12SL, IRQ12 Select**

IR12SL controls the source of the IRQ12 (mouse) interrupt line presented to the Interrupt Controller.

IR12SL = 0 -  
Interrupt as sampled by IRQSET1 (normal operation) is selected.

IR12SL = 1 -  
IR12AL (bit 01 of this register) is selected.

**Bit 02 - IR1SL, IRQ1 Select**

IR1SL controls the source of the IRQ1 (keyboard) interrupt line presented to the Interrupt Controller.

IR1SL = 0 -  
Interrupt as sampled by IRQSET1 (normal operation) is selected.

IR1SL = 1 -  
IR1AL (bit 00 of this register) is selected.

**Bit 01 - IR12AL, IRQ12 Alternate IRQ12 Source**

When selected by IR12SL, IR12AL serves as IRQ12 to the Interrupt Controller. This allows software routines to force a hardware IRQ12 interrupt. IR12AL is not automatically cleared when IRQ12 is serviced, therefore it must be set/reset as needed.

**Bit 00 - IR1AL, IRQ1 Alternate IRQ1 Source**

When selected by IR1SL, IR1AL serves as IRQ1 to the Interrupt Controller. This allows software routines to force a hardware IRQ1 interrupt. IR1AL is not automatically cleared when IRQ1 is serviced, therefore it must be set/reset as needed.





**4.2.8 Enhanced DMA Clock Registers**

The WD8110 supports several enhanced DMA clocking features. To conserve power, the DMA clock can be stopped when DMA transfers are not occurring. On DMA channels 7:5, transfers can be accelerated by options to run the DMA controller clock at double speed (SYSCLK) and to eliminate the traditional wait state.

The WD8110/LV also features:

- Slow refresh
- Disable Interrupts from the Interrupt Controller

Port Address BC72H - Read and Write

15	14	13	12	11	10	09	08

07	06	05	04	03	02	01	00
CH6_CLK		CH5_CLK		S_REF	INT_DIS	INT_ST	SRLE

Signal Name	Default At RSTIN
All Signals . . . . .	0

**Bits 15:08 - Reserved**

**Bits 07:06 - CH6\_CLK, Channel 6 DMA Clock**

- CH6\_CLK
- |    |    |                            |
|----|----|----------------------------|
| 07 | 06 |                            |
| 0  | 0  | - SYSCLK ÷ 2, 1 Wait State |
| 0  | 1  | - SYSCLK, 1 Wait State     |
| 1  | 0  | - SYSCLK ÷ 2, 0 Wait State |
| 1  | 1  | - Reserved                 |

**Bits 05:04 - CH5\_CLK, Channel 5 DMA Clock**

- CH5\_CLK
- |    |    |                            |
|----|----|----------------------------|
| 05 | 04 |                            |
| 0  | 0  | - SYSCLK ÷ 2, 1 Wait State |
| 0  | 1  | - SYSCLK, 1 Wait State     |
| 1  | 0  | - SYSCLK ÷ 2, 0 Wait State |
| 1  | 1  | - Reserved                 |

**Bit 03 - S\_REF, Slow Refresh**

When Slow Refresh is enabled the DRAM refresh rate is slowed to 120 μs. This has no effect on the REF\_DT toggle bit at Port Address 061H.

- S\_REF = 0 - Slow Refresh disabled
- S\_REF = 1 - Slow Refresh enabled

**Bit 02 - INT\_DIS, Interrupt Disable**

Setting INT\_DIS disables the interrupt from the Interrupt Controller. The command will not take effect immediately if the interrupt request signal from the interrupt controller is active. The command will take effect immediately if the interrupt request signal is inactive. This allows control of the interrupt regardless of the Operating System Privilege Level, since 'CLI' and 'STI' CPU instructions may be trapped.

- INT\_DIS = 0 - Interrupt to CPU (INTRQ) enabled
- INT\_DIS = 1 - Interrupt to CPU (INTRQ) disabled

**Bit 01 - INT\_ST, Interrupt Status**

This enables reading of Interrupt Status regardless of Operating Privilege Level.

- INT\_ST = 0 - Interrupt disable command has been performed.
- INT\_ST = 1 - Interrupt disable command is pending.

**Bit 00 - SRLE, Stop Request Latch Enable**

With Intel processors, it may be necessary to guarantee that the STP\_REQ signal stays asserted until the stop grant bus cycle is issued. SRLE enforces that requirement. Note that SRLE only operates when Intel stop clock mode is selected (Stop Clock Control register at Port Address 8C72H bits 8:7 = 00).

- SRLE = 0 - STP\_REQ may be de-asserted before the stop grant bus cycle is issued.
- SRLE = 1 - STP\_REQ will not be de-asserted before the stop grant bus cycle is issued.



Port Address B472H - Read and Write

15	14	13	12	11	10	09	08

07	06	05	04	03	02	01	00
		CH7_CLK		S_DCLK			

Signal Name	Default At RSTIN
All Signals . . . . .	0

Bits 15:06 - Reserved. Must be set to 0

Bits 05:04 - CH7\_CLK, Channel 7 DMA Clock

- CH7\_CLK
- |    |    |                            |
|----|----|----------------------------|
| 05 | 04 |                            |
| 0  | 0  | - SYSCLK ÷ 2, 1 Wait State |
| 0  | 1  | - SYSCLK, 1 Wait State     |
| 1  | 0  | - SYSCLK ÷ 2, 0 Wait State |
| 1  | 1  | - Reserved                 |

Bit 03 - S\_DCLK, Stop DMA Clock

Setting S\_DCLK causes the DMA clock to stop while there is no DMA activity. Upon any unmasked DMA request (DRQIN), the DMA clock starts up again and continues to run until 16 DMA clocks after the end of the DMA Acknowledge (DACKEN).

- S\_DCLK = 0 - Disable Stop DMA Clock
- S\_DCLK = 1 - Enable Stop DMA Clock

Bit 02:00 - Reserved. Must be set to 0.

4.3 ROM BANK SELECTION

Port Address C072H - Bits 15:12 Read only  
Bits 11:00 Read and Write

This register performs two major functions:

- Reads the strap options CLKTEST, WTKMODE and 1X/2X. The remaining strap options are read at Port Address 8C72H.
- Provides support for larger BIOS ROMs

To make it possible for the WD8110/LV to use larger BIOS ROMs, three Bank Select output pins (ROMBA18:16) have been provided. These signals normally connect to ROM address inputs 18:16 for support of up to 512K by 8 ROM or 19:17 for support of up to 1M by 8 ROM. ROMBA18:16 can be programmed to any value for each of the 64K address spaces 0CXXXXH, 0DXXXXH, 0EXXXXH and 0FXXXXH.

If ROMBA18:16 are connected to ROM address inputs 18:16, each of the 64K address spaces can access all 64K pages within the ROM. If ROMBA18:16 are connected to ROM address inputs 19:17, address spaces 0CXXXXH and 0EXXXXH can only access even numbered 64K pages in the ROM while 0DXXXXH and 0FXXXXH can only access odd numbered 64K pages.

NOTE

ROMBA18:16 are active regardless of how much ROM space has been allocated. If only 0E0000H through 0FFFFH of ROM has been enabled, the fields that control address spaces 0CXXXXH and 0DXXXXH will not perform any useful function.



15	14	13	12	11	10	09	08
RSVD	- Strap Options - CLK_WTK_1X/ TEST MODE 2X			Address 0CXXXXH CA18 CA17 CA16			Address DA18

07	06	05	04	03	02	01	00
ss 0DXXXXH DA17 DA16		Address 0EXXXXH EA18 EA17 EA16			Address 0FXXXXH FA18 FA17 FA16		

Signal Name	Default At RSTIN
Bit 15	0
Strap Options	None
CA18	1
CA17:16	0
DA18	1
DA17	0
DA16	1
EA18:17	1
EA16	0
FA18:16	1

**Bit 15 - Reserved**, must be written with a 0 and currently is read back as 0.

**Bit 14 - CLKTEST**, Clock Test

Represents the state of the CLKTEST strapping option. This test is for factory use only.

CLKTEST = 0 -  
Normal operation.

CLKTEST = 1 -  
Test Mode.

**Bit 13 - WTKMODE**, Weitek Mode

This strapping option is used to indicate that a Weitek numeric processor is supported.

WTKMODE = 0 -  
Weitek Mode is not enabled and pins 39, 4 and 56 function as SMEMW, SMEMR and SUSP/STP\_REQ.

WTKMODE = 1 -  
Weitek Mode is enabled and pins 39, 4 and 56 function as WTKIRQ13, LOWMEG and A29, respectively.

**Bit 12 - 1X/2X**, Clock Select

1X/2X = 0 -  
Processor uses a 2X clock input.

1X/2X = 1 -  
Processor uses a 1X clock input.

**Bits 11:09 - CA18:16**, C Address Range

This field is placed on output pins ROMBA18:16 whenever CPU address bits 17:16 are 00, such as in CPU address space 0C0000H through 0CFFFFH.

**Bits 08:06 - DA18:16**, D Address Range

This field is placed on output pins ROMBA18:16 whenever CPU address bits 17:16 are 01, such as in CPU address space 0D0000H through 0DFFFFH.

**Bits 05:03 - EA18:16**, E Address Range

This field is placed on output pins ROMBA18:16 whenever CPU address bits 17:16 are 10, such as in CPU address space 0E0000H through 0EFFFFH.

**Bits 02:00 - FA18:16**, F Address Range

This field is placed on output pins ROMBA18:16 whenever CPU address bits 17:16 are 11, such as in CPU address space 0F0000H through 0FFFFFFH.



## 5.0 AT BUS

This section describes the logic required to control the interrupts and timing between the AT bus and the System Controller.

### 5.1 INTERRUPT MULTIPLEXING

To reduce the number of pins required, the System Controller generates and outputs the MXCTL(2:0) and DACKEN signals used by external logic to multiplex the DACKs and IRQs down to single inputs. See Figure 5-1.

MXCTL(2:0) are set to 100 during a System Reset (RSTIN) to provide a Bus Reset (BUS\_RST) and to determine whether the ROM is on the AT Bus or RA Bus. See Table 5-1.

#### 5.1.1 DMA Acknowledge DACK(7:5), (3:0)

For desktop systems, either a Western Digital WD7615 or a 74F138 3-to-8 Decoder uses MXCTL(2:0) to generate the DACK(7:5) and DACK(3:0), which are applied to the AT Bus. The unused combination develops the AT BUS\_RST (bus reset). For Laptop systems a 74FCT 138 3-to-8 Decoder is used instead of the WD7615. The decoder is enabled by the DACKEN signal from the System Controller.

#### 5.1.2 Interrupt Requests

The Interrupt Requests are multiplexed by the WD76C30A. The multiplexing is performed as shown in Table 5-1 and Figure 5-1 and provides the System Controller with the IRQSET1 and IRQSET0 signals.

IRQSET1 and IRQSET0 and PMCIN are sampled by the System Controller using an internal clock which is twice the frequency of SYSCLK. This allows all PMC and IRQ lines to be sampled within 500 ns, when SYSCLK is 8 MHz.

The ROM AT BUS input is sampled from IRQSET0 at the completion of a RSTIN to determine BIOS ROM bus location. If ROM AT BUS is sampled low, an 8-bit ROM is on the RA Bus. If ROM AT BUS is sampled high, an 8-bit ROM is on the AT Bus. This allows the use of a greater number of EPROMS in mixed voltage systems be-

cause the requirement for 3 volt EPROMs that can tolerate 5 volt inputs can be eliminated.

The RESCPU and A20GT inputs come from the keyboard controller.

#### 5.1.3 AT Address Bus, Data Bus and Terminal Count (TC) Signal

The AT Address Bus SA(19:2) is generated from A(19:2) with external tristate buffers in the WD7625 or WD7615.

The AT Data Bus SD(15:0) is directly controlled by WD8110/LV.

The TC signal is generated by an external gate when DACKEN and CSEN are both asserted.

### 5.2 POWER MANAGEMENT CONTROL PMCIN

The power control signals are placed on the PMCIN input pin by way of an eight to one multiplexer, controlled by the MXCTL(2:0) signals from the System Controller. The WD8110/LV may use a WD7625 to perform this function. See Figure 5-1. Bits 14 and 13 of Port 1872H (Section 5.3) control the power down of the processor and peripheral.



MXCTL 2 1 0	DACKEN	IRQSET0	IRQSET0	PMCIN
0 0 0	DACK0	IRQ8	IRQ12	TURBO
0 0 1	DACK1	IRQ9	IRQ1	PROC_PWR_GOOD
0 1 0	DACK2	IRQ10	A20GT	LCL_RQ or User Defined
0 1 1	DACK3	IRQ11	IRQ3	User Defined
1 0 0	BUS_RST	ROM AT BUS	IRQ4	User Defined
1 0 1	DACK5	RESCPU	IRQ5	User Defined
1 1 0	DACK6	IRQ14	IRQ6	User Defined
1 1 1	DACK7	IRQ15	IRQ7	User Defined

TABLE 5-1. MXCTL(2:0) DECODING

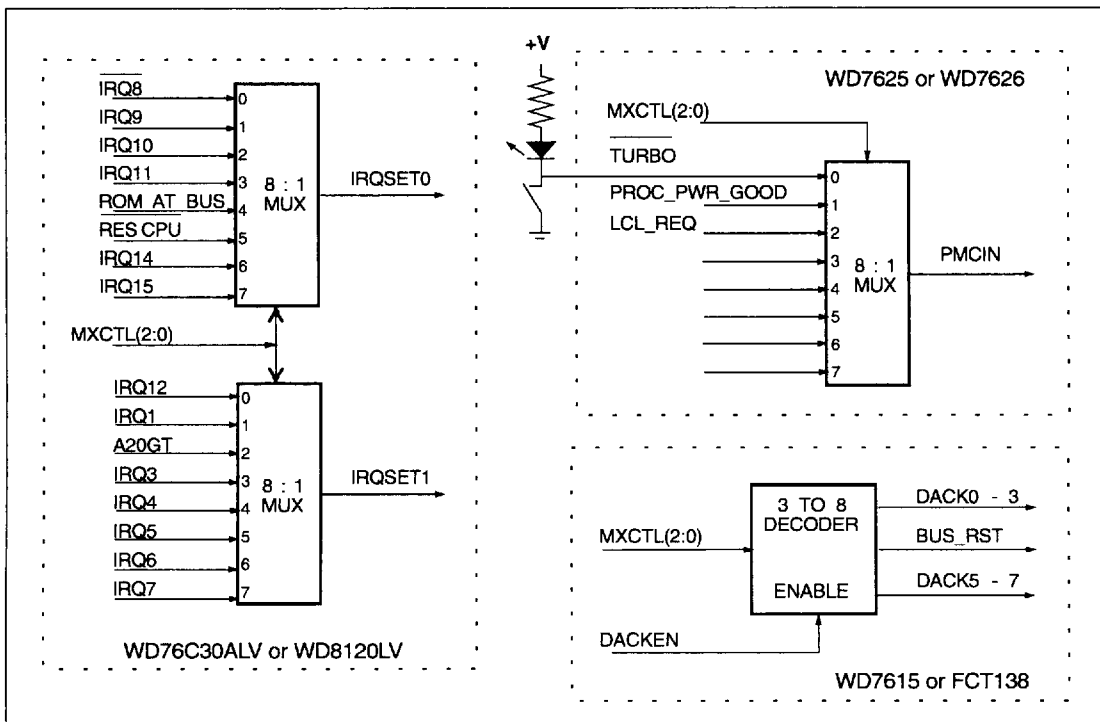


FIGURE 5-1. MXCTL(2:0) MULTIPLEXING



**5.3 BUS TIMING AND NUMERIC PROCESSOR**

**5.3.1 Bus Timing, and Power Down Register**

Port Address 1872H - Read and Write

15	14	13	12	11	10	09	08
Res.	PRO_PD	FPD		BUS_MOD		BRQ_DEL	

07	06	05	04	03	02	01	00
BAK_DEL		WSI <sub>16</sub>	WSM <sub>16</sub>	WSI <sub>8</sub>		WSM <sub>8</sub>	

Signal Name	Default At RSTIN
Bit 15	0
PRO_PD	0
Bit 12	None
FPD	0
BUS_MOD	00
BRQ_DEL	00
BAK_DEL	11
WSI <sub>16</sub>	0
WSM <sub>16</sub>	0
WSI <sub>8</sub>	10
WSM <sub>8</sub>	10

**Bit 15 - Reserved. Must be set to 0.**

**Bit 14 - PRO\_PD, Processor Power Down**

When PRO\_PD has been changed from zero to one, a power down sequence for the CPU will be initiated at the next Halt State and the expansion bus continues to operate normally. The processor should not be powered down if DMA cycles are likely to occur. When PRO\_PD is set and a halt state occurs, the processor inputs are ignored and appear to the WD8110/LV to be in the passive state.

The input buffers connected to the processor signals do not consume power even if the processor signals do not reach ground. The internal pullups on inputs connecting to the processor are disabled to reduce power. PMC output 5 from Port Address 7072H (Processor Power Down) is set. This can be used to control the power transistor and turn

off the power to the processor. All outputs going to the processor will be tristated.

When an unmasked interrupt, DRQ or NMI occurs, PMC output 5 is reset, re-powering the processor. A voltage comparator should be used to generate a Processor Power Good (PPG) signal. The PPG signal is sampled by bit 01 of the PMC Input Register at Port Address 8872H. When PPG is high, the outputs to the processor are driven and the processor is reset.

PRO\_PD = 0 -

Normal processor power.

PRO\_PD = 1 -

Start processor power down sequence.

**Bit 13 - FPD, Full Power Down**

When FPD equals one and a halt state occurs, all processor and peripheral outputs except the PMC, DRAM controls and RA/ED bus are tristated and all inputs except RSTIN, CLK14 and PMC inputs are ignored. CAS before RAS refresh will be performed if enabled by Port Address 2072H. All circuitry except the PMC and refresh timer logic is stopped and PMC output 7 (Full Power Down) from Port Address 7072H is set. This enables the powering down of all chips except DRAM, WD8110/LV, WD76C20, WD76C30A and WD90C20. The WD76C20 provides PDREF (a 64 KHz refresh signal on input pin 129) during the power down mode. This signal is then gated by the System Controller to the REFRESH signal as an output on pin 40.

When a PMC interrupt occurs, PMC output 7 at Port Address 7072H is reset, enabling the power up sequence. A CPURES and BUS\_RST (see Figure 5-1) are asserted until the PMCIN 01 PPG at Port Address 8872H input is high. The tristated outputs are restored and the inputs are no longer masked. Refer to Section 8.15 for more details regarding Suspend and Resume.

FPD remains a 1 until replaced by a 0.

FPD = 0 -

No power down.

FPD = 1 -

Full power down and in standby mode.



**Bit 12** - Reserved. Must be set to 0.

**Bits 11:10 - BUS\_MOD, Bus Mode**

The System Controller defaults to Mode 00 at power up. Therefore, the AT bus logic clock is controlled by BCLK2 and is asynchronous with CPUCLK (see Figure 4-1). This allows CPUCLK to be faster than the AT Bus and vary without affecting bus timing. Normally, BCLK2 is 16 MHz as supplied by the WD76C30A. SYSCLK is a divide by two of the bus logic clock. So, if BCLK2 is 16 MHz at power up, it is divided by two again, providing a SYSCLK clock rate of 4 MHz until programmed to Mode 01. In Mode 01, the SYSCLK rate is 8 MHz for a BCLK2 of 16 MHz. Both Mode 00 and 01 are asynchronous and require appropriate synchronization delays to be established by the BRQ\_DEL and BAK\_DEL fields of this register.

In Modes 10 and 11, SYSCLK is synchronous with CPUCLK and synchronization delays are not needed. The bus clock mode may need to be reprogrammed when the processor clock changes.

Refer to Table 5-2 for the appropriate choices according to the CPU type and speed and AT bus speed employed.

**BUS\_MOD**

11 10

- 0 0 - Bus logic uses BCLK2 divided by 2.
- 0 1 - Bus logic uses BCLK2 divided by 1.
- 1 0 - Bus logic uses CPUCLK divided by 2.
- 1 1 - Bus logic uses CPUCLK divided by 1.

**Bits 09:08 - BRQ\_DEL, Bus Request Delay**

An asynchronous AT bus state machine requires a synchronization delay at the start of the bus cycle.

Refer to Table 5-2 for the appropriate choices according to the CPU type and speed and AT bus speed employed.

**BRQ\_DEL**

09 08

- 0 0 - 1 Bus clock delay.
- 0 1 - .5 Bus clock delay.
- 1 0 - No clock delay.
- 1 1 - Reserved.

**Bits 07:06 - BAK\_DEL, Bus Acknowledge Delay**

The AT bus state machine has several options available for signaling the CPU control logic that an AT bus cycle has completed. The timing of this signal determines AT bus hold time for the data and address. Proper timing is determined by the CPU speed, AT bus speed and whether they are synchronous or asynchronous. The delay settings listed here are referenced to the trailing edge of the AT command strobe.

Refer to Table 5-2 for the appropriate choices according to the CPU type and speed and AT bus speed employed.

**BAK\_DEL**

07 06

- 0 0 - No delay.
- 0 1 - .5 Bus logic clock delay.
- 1 0 - 1 Bus logic clock delay.
- 1 1 - +.5 Bus logic clock delay.

**Bit 05 - WSI16, Wait State for 16 bit I/O**

WSI16 = 0 -

- 1 SYSCLK clock wait state.

WSI16 = 1 -

- 2 SYSCLK clock wait states.



**Bit 04 - WSM16, Wait State for 16 bit Memory**

WSM16 = 0 -  
1 SYSCLK wait state.

WSM16 = 1 -  
2 SYSCLK clock wait states.

**Bits 03:02 - WSI8, Wait State for 8 bit I/O**

WSI8  
03 02  
0 0 - 2 SYSCLK clock wait states.  
0 1 - 3 SYSCLK clock wait states.  
1 0 - 4 SYSCLK clock wait states.  
1 1 - 5 SYSCLK clock wait states.

**Bits 01:00 - WSM8, Wait State for 8 bit Memory**

WSM8  
01 00  
0 0 - 2 SYSCLK clock wait states.  
0 1 - 3 SYSCLK clock wait states.  
1 0 - 4 SYSCLK clock wait states.  
1 1 - 5 SYSCLK clock wait states.

**5.3.2 Numeric Processor Busy (NPBUSY) Reset**

Port Address 0F0H - Write only

Writing any data to this port resets the 80387 busy signal (de-asserts NPBUSY). The data is ignored.

7	6	5	4	3	2	1	0

<b>Signal Name</b>	<b>Default At RSTIN</b>
All signals . . . . .	None

**5.3.3 Numeric Processor Reset (NPRST)**

Port Address 0F1H - Write only

Writing any data to this port asserts NPRST and resets the 80387. The main processor is wait stated for 128 clocks when writing to this port. The data is ignored.

7	6	5	4	3	2	1	0

<b>Signal Name</b>	<b>Default At RSTIN</b>
All signals . . . . .	None

CPU SPEED	AT BUS SPEED	AT BUS MODE	BUS MOD	BRQ DEL	BAK DEL
33.3 MHz	8 MHz	ASYNC	0X	01	11
25.0 MHz	8 MHz	ASYNC	0X	01	00
20.0 MHz	10 MHz	SYNC	10	10	10
20.0 MHz	8 MHz	ASYNC	0X	01	00
16.0 MHz	8 MHz	SYNC	10	10	10

**TABLE 5-2. BUS TIMING PARAMETERS**





## 5.4 DMA CONTROL

The System Controller contains two DMA controllers. DMA Controller 1 is in the I/O address space from 000H to 00FH and is used for 8-bit transfers. DMA Controller 2 is in the I/O space from 0C0H to 0DEH and is used for 16-bit transfers. Channel 0 of DMA Controller 2 is used to cascade DMA controller #1. Table 5-4 identifies the Controller/Channel location and function.

AT Bus DMA Channel	DMA Controller	Transfer Type
0	#1 Channel 0	8-bit
1	#1 Channel 1	8-bit
2	#1 Channel 2	8-bit
3	#1 Channel 3	8-bit
4	#2 Channel 0	Cascade DMA Cont. #1
5	#2 Channel 1	16-bit
6	#2 Channel 2	16-bit
7	#2 Channel 3	16-bit

TABLE 5-3. DMA TRANSFER TYPES

### 5.4.1 Transfer Modes

Each DMA channel may be programmed in Single Transfer Mode, Block Transfer Mode, Demand Transfer Mode or Cascade Mode.

Refer to Section 5.4.12 - Mode Register, bits 7 and 6 for programming.

#### Demand Mode - 00

In demand mode, a transfer continues to take place until DRQ is de-asserted or a Terminal Count (TC) is reached. If the DRQ is de-asserted, the bus will be released. If DRQ is re-asserted, the transfer will resume. The address and word count behave as in single mode.

#### Single Transfer Mode - 01

In single transfer mode, the channel makes one transfer for each request. The word count is decremented and the address is incremented or decremented at the end of each transfer. When the word count goes from 0000H to FFFFH, a Terminal Count (TC) is generated. To start a transfer, the DRQ should be asserted until a DACK is received. If the DRQ is asserted through the cycle, only one transfer will take place. The DRQ must

be de-asserted and then re-asserted to start another transfer. The bus is released between transfers.

#### Block Transfer Mode - 10

A transfer is started in block mode by a DRQ and continues until a TC is reached. The DRQ should be held active until DACK is asserted. Block mode should be used with caution since refresh is locked out. The address and word count behave as in single mode.

#### Cascade Mode - 11

Cascade mode is used for bus master transfers and to cascade DMA controller #2 to DMA controller #1. A channel in cascade mode gets the bus when a DRQ is asserted but the word count and address are ignored. The channel holds the bus until DRQ is de-asserted. The IOR, IOW, MEMR and MEMW signals must be generated by the bus master device. The addresses from the System Controller are tristated when the MASTER signal is asserted.

### 5.4.2 Transfer Types

There are three types of transfers: verify, write and read.

Refer to Section 5.4.12 - Mode Register, bits 3 and 2 for programming.

#### Verify - 00

A verify transfer is a pseudo transfer that does not generate IOR, IOW, MEMR or MEMW signals.

#### Write - 01

A write transfers data from an I/O device to memory.

#### Read - 10

A read transfers data from memory to an I/O device.



#### 5.4.3 Autoinitialize

A channel may be programmed to autoinitialize for any transfer type. When a TC is reached in this mode the channel is loaded with the original word count and address and is ready to start another transfer.

Refer to Section 5.4.12 - Mode Register, bit 4 for programming.

#### 5.4.4 Priority

Each DMA controller has two types of priority, fixed and rotating. For fixed priority, channel 0 has the highest priority and channel 3 has the lowest. In rotating priority, the last channel to be serviced has the lowest priority.

#### 5.4.5 Extended Write

In normal timing, the  $\overline{\text{MEMR}}$  or  $\overline{\text{IOR}}$  pulse is two clock cycles and the  $\overline{\text{MEMW}}$  or  $\overline{\text{IOW}}$  is one clock cycle. If extended write is selected, the  $\overline{\text{MEMW}}$  or  $\overline{\text{IOW}}$  will be the same as the  $\overline{\text{MEMR}}$  or  $\overline{\text{IOR}}$ .

#### 5.4.6 Base and Current Address

Each channel has a 16-bit base and current address register. The current address register is loaded from the base register when the base register is loaded or when in autoinitialize mode. The current address register is incremented or decremented during a transfer.

Addresses are driven to the bus while  $\overline{\text{REFRESH}}$  is asserted, indicating a refresh cycle. Only address bits A(23:16) (from the page register) and bits A(10:0) (from the refresh counter) are meaningful during refresh. The address counter is incremented on the rising edge of  $\overline{\text{REFRESH}}$ .

#### 5.4.7 Base and Current Word Count

Each channel has a 16-bit base and current word count register. The current word count register is loaded from the base register when the base register is loaded or when in autoinitialize mode. The current word count is decremented during a transfer.



10-BIT MODE I/O ADDRESS IN HEX	16-BIT MODE I/O ADDRESS IN HEX	READ/WRITE	DMA CONTROLLER	FUNCTION
000	0000	Read/Write	1	Channel 0 Address
001	0001	Read/Write	1	Channel 0 Word Count
002	0002	Read/Write	1	Channel 1 Address
003	0003	Read/Write	1	Channel 1 Word Count
004	0004	Read/Write	1	Channel 2 Address
005	0005	Read/Write	1	Channel 2 Word Count
006	0006	Read/Write	1	Channel 3 Address
007	0007	Read/Write	1	Channel 3 Word Count
008	0008	Read	1	Status
008	0008	Write	1	Command Register
009	0009	Write	1	Request Register
00A	000A	Write	1	Single Mask
00B	000B	Write	1	Mode Register
00C	000C	Write	1	Clear Pointer
00D	000D	Write	1	Master Clear
00E	000E	Write	1	Clear Mask
00F	000F	Write	1	Mask All
080-09F	0080-008F			DMA Page Register
0C0	00C0	Read/Write	2	Channel 0 Address
0C2	00C2	Read/Write	2	Channel 0 Word Count
0C4	00C4	Read/Write	2	Channel 1 Address
0C6	00C6	Read/Write	2	Channel 1 Word Count
0C8	00C8	Read/Write	2	Channel 2 Address
0CA	00CA	Read/Write	2	Channel 2 Word Count
0CC	00CC	Read/Write	2	Channel 3 Address
0CE	00CE	Read/Write	2	Channel 3 Word Count
0D0	00D0	Read	2	Status
0D0	00D0	Write	2	Command Register
0D2	00D2	Write	2	Request Register
0D4	00D4	Write	2	Single Mask
0D6	00D6	Write	2	Mode Register
0D8	00D8	Write	2	Clear Pointer
0DA	00DA	Write	2	Master Clear
0DC	00DC	Write	2	Clear Mask
0DE	00DE	Write	2	Mask All
B872	B872	Read	1, 2	DMA Mode Shadow

TABLE 5-4. DMA CONTROLLER/CHANNEL FUNCTION MAP



**5.4.8 Command Register**

Port Addresses 008H, 0D0H – Write only

This write only register may be read by the DMA Shadow Register 3 at Port 4C72H (see Section 8.14.3). The Command Register is reset by RSTIN or by writing any data to Port Address 00DH or 0DAH (see Section 5.4.14).

7	6	5	4	3	2	1	0
		EX_W R	RO_P R	0	CO_D S		

**Signal Name** **Default At RSTIN**  
 All signals . . . . . 0

**Bits 7:6** - Not used, state is ignored

**Bit 5** - EX\_W, Extended Write

**Bit 4** - RO\_P, Rotating Priority

**Bit 3** - Must be set to 0

**Bit 2** - CO\_D, Controller Disabled

**Bits 1:0** - Not used, state is ignored

**5.4.9 Status Register**

Port Addresses 008H, 0D0H – Read only

Bits 3:0 are reset by RSTIN, writing any data to Port Address 00DH or 0DAH (see Section 5.4.14) or when read by a Status Read Command.

Channels 7:5 are accessed at Port Address 0D0H  
 Channel 4 is not available  
 Channels 3:0 are accessed at Port Address 008H

7	6	5	4	3	2	1	0
CH3_D RQ	CH2_D RQ	CH1_D RQ	CH0_D RQ	CH3_T C	CH2_T C	CH1_T C	CH0_T C

**Signal Name** **Default At RSTIN**  
 CH3\_DRQ - CH0\_DRQ . . . . . None  
 CH3\_TC - CH0\_TC . . . . . 0

**Bit 7** - CH3\_DRQ, Channel 3 DRQ active

**Bit 6** - CH2\_DRQ, Channel 2 DRQ active

**Bit 5** - CH1\_DRQ, Channel 1 DRQ active

**Bit 4** - CH0\_DRQ, Channel 0 DRQ active

**Bit 3** - CH3\_TC, Channel 3 has reached TC

**Bit 2** - CH2\_TC, Channel 2 has reached TC

**Bit 1** - CH1\_TC, Channel 1 has reached TC

**Bit 0** - CH0\_TC, Channel 0 has reached TC

**5.4.10 Request Register**

Port Addresses 009H, 0D2H – Write only

Each channel may be started by a software request. These requests are not affected by the Mask Register. The Request Register is reset by RSTIN or by writing any data to Port Address 00DH or 0DAH (see Section 5.4.14).

Channels 7:5 are accessed at Port Address 0D2H  
 Channel 4 is not available  
 Channels 3:0 are accessed at Port Address 009H

7	6	5	4	3	2	1	0
					CRQ	CH#	

**Signal Name** **Default At RSTIN**  
 All signals . . . . . 0

**Bits 7:3** - Not used, state is ignored

**Bit 2** - CRQ, Channel Requested

**Bits 1:0** - CH#, Channel Number Requested

- CH# 1 0
- 0 0 - Channel 0
- 0 1 - Channel 1
- 1 0 - Channel 2
- 1 1 - Channel 3



**5.4.11 Mask Registers**

Each channel has a mask bit associated with it. If it is set, the channel is disabled. The bits may be set or reset by software, or set by a Terminal Count (TC) if the channel is not in autoinitialize mode. All the bits are set by a RSTIN, or by writing any data to Port Address 00DH or 0DAH (see Section 5.4.14).

**5.4.11.1 Single Mask Register**

Port Addresses 00AH, 0D4H – Write only

Channels 7:5 are accessed at Port Address 0D4H  
 Channel 4 is not available  
 Channels 3:0 are accessed at Port Address 00AH

7	6	5	4	3	2	1	0
					SE_MA	CH#	

<b>Signal Name</b>	<b>Default At RSTIN</b>
All signals	1

**Bits 7:3** - Not used, state is ignored

**Bit 2 - SE\_MA**, Set Mask

SE\_MA = 0 - Clear Mask

SE\_MA = 1 - Set Mask

**Bits 1:0 - CH#**, Channel Number Requested

- CH# 1 0
- 0 0 - Channel 0
- 0 1 - Channel 1
- 1 0 - Channel 2
- 1 1 - Channel 3

**5.4.11.2 Clear Mask Register**

Port Addresses 00EH, 0DCH – Write only

Writing any data to this register resets all Masks. The data is ignored.

Channels 7:5 are accessed at Port Address 0DCH  
 Channel 4 is not available  
 Channels 3:0 are accessed at Port Address 00EH

7	6	5	4	3	2	1	0

<b>Signal Name</b>	<b>Default At RSTIN</b>
All signals	None

**Bits 7:0** - Not used, state is ignored

**5.4.11.3 Mask Multiple Register**

Port Addresses 00FH, 0DEH – Write only

Channels 7:5 are accessed at Port Address 0DEH  
 Channel 4 is not available  
 Channels 3:0 are accessed at Port Address 00FH

7	6	5	4	3	2	1	0
				CH3_MA	CH2_MA	CH1_MA	CH0_MA

<b>Signal Name</b>	<b>Default At RSTIN</b>
All signals	1

**Bits 7:4** - Not used, state is ignored

**Bit 3 - CH3\_MA**, Channel 3 Mask

**Bit 2 - CH2\_MA**, Channel 2 Mask

**Bit 1 - CH1\_MA**, Channel 1 Mask

**Bit 0 - CH0\_MA**, Channel 0 Mask



**5.4.12 Mode Register**

Port Addresses 00BH, 0D6H – Write only

These registers are shadowed and may be read back through DMA Shadow Registers 1:3 at Port Addresses 3C72H, 4472H and 4C72H, described in Sections 8.13.(1:3).

These registers select the mode and type of transfer for each channel. Refer to Sections 5.4.1 through 5.4.1.4 for a description of the Transfer Modes, Sections 5.4.2 through 5.4.2.3 for a description of the Transfer Types and Section 5.4.3 for a description of Autoinitialize.

Channels 7:5 are accessed at Port Address 0D6H  
 Channel 4 is not available  
 Channels 3:0 are accessed at Port Address 00BH

7	6	5	4	3	2	1	0
TRA_MOD		AD_DEC	AUTO	TRA_TYP		CHA#_SEL	

**Signal Name** **Default At RSTIN**  
 All signals . . . . . None

**Bits 7:6 - TRA\_MOD, Transfer Mode**

TRA\_MOD  
 7 6  
 0 0 - Demand  
 0 1 - Single  
 1 0 - Block  
 1 1 - Cascade

**Bit 5 - AD\_DEC, Address Decrement**

AD\_DEC = 0  
 Address is incremented.  
 AD\_DEC = 1  
 Address is decremented after each DMA cycle.

**Bit 4 - AUTO, Autoinitialize**

AUTO = 0  
 Autoinitialization is disabled.  
 AUTO = 1  
 Autoinitialization is enabled.

**Bits 3:2 - TRA\_TYP, Transfer Type**

TRA\_TYP  
 3 2  
 0 0 - Verify  
 0 1 - Write  
 1 0 - Read  
 1 1 - Not used

**Bits 1:0 - CHA#\_SEL, Channel Select**

CHA#\_SEL  
 1 0  
 0 0 - Channel 0  
 0 1 - Channel 1  
 1 0 - Channel 2  
 1 1 - Channel 3

**5.4.13 Clear Pointer Register**

Port Addresses 00CH, 0D8H – Write only

Each DMA controller has a pointer flip-flop that indicates which half of the word count or address is being accessed. Each time a word count or address is written or read, the pointer changes state. When the flip-flop is reset, bits 7:0 are accessed, and when it is set, bits 15:8 are accessed. The pointer is reset by writing any data to the Clear Pointer Register, or to Port Address 00DH or 0DAH (see Section 5.4.14). In either case, the data is ignored.

7	6	5	4	3	2	1	0

**Signal Name** **Default At RSTIN**  
 All signals . . . . . None

**Bits 7:0 - Not used, state is ignored**



**5.4.14 Master Clear Register**

Port Addresses 00DH, 0DAH – Write only

Writing any data to the Master Clear Register will:

1. Clear the Command Register
2. Clear the Status Register
3. Clear the Request Register
4. Set the Mask Register
5. Clear the Pointer Flip-Flop

All data is ignored.

7	6	5	4	3	2	1	0

<b>Signal Name</b>	<b>Default At RSTIN</b>
All signals . . . . .	None

**Bits 7:0** - Not used, state is ignored

**5.4.15 DMA Mode Shadow Register**

Port Address B872H – Read only

This register is particularly useful in laptop applications by allowing the suspend/resume software to restore correct status to on-board devices. Refer to Section 8.14 for more information regarding the DMA Shadow Registers.

15	14	13	12	11	10	09	08
DMA1 MODE							

07	06	05	04	03	02	01	00
DMA2 MODE							

<b>Signal Name</b>	<b>Default At RSTIN</b>
DMA1 MODE . . . . .	0
DMA2 MODE . . . . .	0

**Bits 15:08** - DMA 1 MODE

DMA 1 MODE contains a copy of the data written into the DMA1 Mode Register located at I/O address 00BH (see Table 5-4).

**Bits 07:00 - DMA 2 MODE**

DMA 2 MODE contains a copy of the data written into the DMA2 Mode Register located at I/O address 0D6H (see Table 5-4).

**5.5 SYSTEM CONTROLLER 8259 INTERRUPT CONTROLLERS**

The System Controller contains two interrupt controllers. Interrupt Controller 1 is in the I/O space of 020H to 021H and Interrupt Controller 2 is in the I/O space of 0A0H to 0A1H. Interrupt 2 of Interrupt Controller 1 is used to cascade Interrupt Controller 2.

**5.5.1 Interrupt Sequence**

1. When an interrupt arrives from a peripheral device, the interrupt may only be programmed to be edge sensitive. In this mode, the interrupt must go low and high for each interrupt. The interrupt sets the appropriate bit in the Interrupt Request Register (IRR).

SYSTEM INTERRUPT	INTERRUPT CONTROLLER	USE
0	#1 Level 0	Timer
1	#1 Level 1	Keyboard
2	#1 Level 2	Cascade
3:7	#1 Level 3:7	AT Bus
8	#2 Level 0	RTC
9:12	#2 Level 1:4	AT Bus
13	#2 Level 5	Co-Processor
14:15	#2 Level 6:7	AT Bus

**TABLE 5-5. INTERRUPT SEQUENCE**

2. If the interrupt has not been masked off, it is passed to the priority circuit. There are three types of priority.

**Fixed**

In fixed priority, interrupt 0 has the highest priority and interrupt 7 has the lowest.



**Automatic Rotation**

In automatic rotation, the last interrupt serviced has the lowest priority.

**Specific Rotation**

In this mode, the lowest priority interrupt can be set by software. The next interrupt will have the highest priority. For example, if interrupt 4 is set to the lowest level, the priority will be 5, 6, 7, 0, 1, 2, 3 and 4.

3. The interrupt controller sends an IRQ to the CPU.
4. The CPU responds with an INTA cycle that freezes priority.
5. The CPU sends another INTA, causing the interrupt controller to send a vector to the CPU, set the appropriate bit in the Interrupt Service Register (ISR) and clear the corresponding bit in the IRR, if it is in the edge triggered mode. As long as the bit in the ISR is set, all interrupts at the same level or lower are inhibited unless programmed for special mask mode.
6. An EOI is issued to end the interrupt. This clears the appropriate bit in the Interrupt Service Register. For the slave adapter (interrupt controller #2), two EOI's must be issued. There are three types of EOI's, Specific, Non-specific and Automatic.

**Specific**

An EOI is issued by software for a specific interrupt.

**Non-Specific**

A non-specific EOI is also issued by software. The hardware generates an EOI for the highest level active interrupt.

**Automatic**

An automatic EOI is a non-specific EOI that is caused by the second INTA.

The interrupt controllers may also be operated in a polled mode. In this mode, the CPU is set to disable the interrupt input. In this case, software must issue a poll command. This takes the place of an INTA, and the software can then read the interrupt level to determine the interrupt to be serviced.

When cascading is used and the slave has issued an interrupt, other interrupts from the slave are locked out. If it is desired to preserve priority in the slave (i.e., allow higher interrupts to occur when a lower interrupt is being serviced), Special Fully Nested Mode should be programmed in the master. After a non-specific EOI has been sent to the slave, the ISR should be checked to see whether any other interrupts are active. If there are no interrupts active, a non-specific EOI should be sent to the master.

**5.5.2 Setup - Initialization Command Words (ICW)**

The interrupt controllers are set up by writing a series of Initialization Command Words (ICW). The sequence is started by writing a one to bit 4 of ICW1. If ICW4 is to be included in the sequence, a one must also be written to bit 0 of the ICW1.





Interrupt Controller	Address Hex	Function	Read/Write
1	020	ICW1	Write
1	021	ICW2	Write
1	021	ICW3	Write
1	021	ICW4	Write
1	021	OCW1	Write
1	020	OCW2	Write
1	020	OCW3	Write
1	020	IRR	Read
1	020	ISR	Read
1	021	Mask	Read
1	020, 021	Interrupt Level	Read
2	0A0	ICW1	Write
2	0A1	ICW2	Write
2	0A1	ICW3	Write
2	0A1	ICW4	Write
2	0A1	OCW1	Write
2	0A0	OCW2	Write
2	0A0	OCW3	Write
2	0A0	IRR	Read
2	0A0	ISR	Read
2	0A1	Mask	Read
2	0A0, 0A1	Interrupt Level	Read

TABLE 5-6. INTERRUPT CONTROLLER FUNCTION MAP

5.5.2.1 ICW1 - Initialization Command Word 1

Port Addresses 020H, 0A0H - Write only

Bit 4 of this register must be set to 1 or it will be interpreted as OCW2 or OCW3.

7	6	5	4	3	2	1	0
			S_S	L_T		N C_M	ICW 4

<b>Signal Name</b>	<b>Default At RSTIN</b>
All signals . . . . .	None

Bit 7:5 - Not used, state is ignored

Bit 4 - S\_S, Start Sequence

S\_S Must be set to 1

Bit 3 - L\_T, Level Trigger

The Interrupt Controller may be programmed to support Level Sensitive Mode for diagnostic adapters which may need to test this capability.

L\_T = 0 -

Edge Triggered Mode is selected.

L\_T = 1 -

Level Triggered Mode is selected.

EN\_LVL (bit 00) in Port A872H must first be set to 1.

Bit 2 - Not Used, state is ignored

Bit 1 - N C\_M, Not Cascade Mode

N C\_M = 0 -

Cascade Mode selected

N C\_M = 1 -

Single Mode selected

Bit 0 - ICW4, Initialization Control Word 4

ICW4 = 0 -

ICW4 not included in sequence

ICW4 = 1 -

ICW4 is included in sequence



**5.5.2.2 ICW2 - Initialization Command Word 2**

Port Addresses 021H, 0A1H – Write only

For Suspend/Resume or Hibernation operations this register may be read at Port Address D472H. Refer to Section 8.10.

7	6	5	4	3	2	1	0
Interrupt Vector							

**Signal Name** **Default At RSTIN**  
 All signals . . . . . None

**Bits 7:3** - Interrupt Vector

**Bits 2:0** - Not used, state is ignored

**5.5.2.3 ICW3 - Initialization Command Word 3**

Port Addresses 021H – Write only

This address accesses only Interrupt Controller 1.

7	6	5	4	3	2	1	0
0	0	0	0	0	I2 H_L	0	0

**Signal Name** **Default At RSTIN**  
 All signals . . . . . None

**Bits 7:3** - Not used, must be set to 0

**Bit 2 - I2 H\_L**, Interrupt 2 Has Slave

I2 H\_L = 0 -  
 Interrupt 2 does not have the Slave

I2 H\_L = 1 -  
 Interrupt 2 has the Slave

**Bits 1:0** - Not used, must be set to 0

Port Addresses 0A1H – Write only

This address accesses only Interrupt Controller 2.

7	6	5	4	3	2	1	0
0	0	0	0	0	Slave ID		

**Signal Name** **Default At RSTIN**  
 All signals . . . . . None

**Bits 7:3** - Not used, must be set to 0

**Bits 2:0 - Slave ID**

**5.5.2.4 ICW4 - Initialization Command Word 4**

Port Addresses 021H, 0A1H – Write only

For Suspend/Resume or Hibernation operations this register may be read at Port Address D472H. Refer to Section 8.10.

A Slave does not have ICW4.

7	6	5	4	3	2	1	0
0	0	0	SF NM	0	0	AUT EOI	1

**Signal Name** **Default At RSTIN**  
 All signals . . . . . None

**Bits 7:5** - Not used, must be set to 0

**Bit 4 - SFNM**, Special Fully Nested Mode

SFNM = 0 -  
 Not Special Fully Nested Mode

SFNM = 1 -  
 Special Fully Nested Mode

**Bits 3:2** - Not used, must be set to 0

**Bit 1 - AUT\_EOI**, Auto End Of Interrupt

AUT\_EOI = 0 -  
 Normal End Of Interrupt

AUT\_EOI = 1 -  
 Automatic End Of Interrupt

**Bit 0** - Not used, must be set to 1



**5.5.3 Operation**

Once the interrupt controllers are set up, they may be programmed by Operation Control Words One through Three (OCW1:3).

**5.5.3.1 OCW1 - Operation Control Word 1**

Port Addresses 021H, 0A1H – Write only

7	6	5	4	3	2	1	0
INT 7_M	INT 6_M	INT 5_M	INT 4_M	INT 3_M	INT 2_M	INT 1_M	INT 0_M

<b>Signal Name</b>	<b>Default At RSTIN</b>
All signals . . . . .	None

- Bit 7** - Interrupt 7 Mask
- Bit 6** - Interrupt 6 Mask
- Bit 5** - Interrupt 5 Mask
- Bit 4** - Interrupt 4 Mask
- Bit 3** - Interrupt 3 Mask
- Bit 2** - Interrupt 2 Mask
- Bit 1** - Interrupt 1 Mask
- Bit 0** - Interrupt 0 Mask

**5.5.3.2 OCW2 - Operation Control Word 2**

Port Addresses 020H, 0A0H – Write only

For Suspend/Resume or Hibernation operations this register may be read at Port Address D472H. Refer to Section 8.10.

7	6	5	4	3	2	1	0
EOI_CONT			0	0	INT_LEV		

<b>Signal Name</b>	<b>Default At RSTIN</b>
All signals . . . . .	None

**Bits 7:5 - EOI\_CONT, End Of Interrupt**

EOI\_CONT

7	6	5
0	0	0
0	0	1
0	1	0
0	1	1
1	0	0
1	0	1
1	1	0
1	1	1

**Bits 4:3 - Must be set to 0**

**Bits 2:0 - INT\_LEV, Interrupt Level**

To enable the setting of the interrupt level (INT\_LEV), EOI\_CONT must be set to 1 1 0 (Set Priority).

INT\_LEV

2	1	0
0	0	0
1	1	0
1	1	1



**5.5.3.3 OCW3 - Operation Control Word 3**

Port Addresses 020H, 0A0H - Write only

For Suspend/Resume or Hibernation operations this register may be read at Port Address D472H. Refer to Section 8.10.

7	6	5	4	3	2	1	0
0	SMM		0	1	P_C	IRR_ISR	

<b>Signal Name</b>	<b>Default At RSTIN</b>
All signals . . . . .	None

**Bit 7 - Must be set to 0**

**Bits 6:5 - SMM, Special Mask Mode**

<b>SMM</b>	
6	5
0	0 - Not used
0	1 - Not used
1	0 - Reset Special Mask Mode
1	1 - Set Special Mask Mode

**Bit 4 - Must be set to 0**

**Bit 3 - Must be set to 1**

**Bit 2 - P\_C, Poll Command**

P\_C = 0 -  
No Poll Command

P\_C = 1 -  
Poll Command

**Bits 1:0 - IRR\_ISR, Interrupt Request Register and Interrupt Service Register**

<b>IRR_ISR</b>	
1	0
0	0 - Not used
0	1 - Not used
1	0 - Read Interrupt Request Register
1	1 - Read Interrupt Service Register

**5.6 SYSTEM CONTROLLER 8254 TIMER**

The System Controller contains an 8254 equivalent timer containing three independent counters. All the timers run off of a 1.19 MHz clock derived from the 14.318 MHz clock input. The GATE0 and GATE1 signals are tied high. The GATE2 signal is tied to register 61H, bit 0. The counters decrement when counting. The largest possible count is 0.

Each counter may be programmed for different counting modes and the count may be read back. To initialize a counter, the Control Word must be written, followed by one or two bytes of count if needed. Refer to Table 5-7 for the correct Control Word Format. Each counter may be programmed to count in BCD or binary.

I/O Address	Use	Read/Write
040H	Timer 0 Count/Status	Read/Write
041H	Timer 1 Count/Status	Read/Write
042H	Timer 2 Count/Status	Read/Write
043H	Control Word	Write

Timer Channel	Use
0	Time of Day (Interrupt)
1	Refresh Request
2	Speaker

**5.6.1 Setup**

Each counter may be set in one of six modes by writing a Control Word (format 1). The Control Word must specify the counter and the number of count bytes to be written. A new count may be written at any time.



CONTROL WORD (FORMAT 1) - I/O Address 043H - Counter Latch Command		
0	BCD	
1-3	Mode	000 Mode 0 001 Mode 1 X10 Mode 2 X11 Mode 3 100 Mode 4 101 Mode 5
4-5	Function	00 Counter Latch Command 01 Read/Write Low Byte 10 Read/Write High Byte 11 Read/Write Low Byte then High Byte
6-7	Counter	00 Counter 0 01 Counter 1 10 Counter 2
CONTROL WORD (FORMAT 2) - I/O Address 043H - Read Back Command		
0		0
1		Select Counter 0
2		Select Counter 1
3		Select Counter 2
4		Latch Status
5		Latch Count
6-7		11

TABLE 5-7. CONTROL WORD FORMAT

**5.6.1.1 Mode 0 Interrupt on Terminal Count**

The counter starts when the count is loaded. When the count = 0, the counter continues counting from FFFFH in binary mode or 9999 in BCD mode. GATE = 1 enables counting. GATE = 0 disables counting.

OUT goes low when the counter starts. It goes high when the count = 0 and stays high until a new count or mode is written.

If a new count is written while the counter is counting, it will be loaded on the next clock pulse.

**5.6.1.2 Mode 1 Hardware Retriggerable One Shot**

The counter starts when GATE goes from low to high. When the count = 0, the counter continues counting from FFFFH in binary mode or 9999 in BCD mode.

Any time GATE goes from low to high, the counter is reloaded with the original count and the counter started.

OUT goes low when GATE goes from low to high. It goes high when the count = 0. If a new count is written while the counter is counting, it will be loaded the next time GATE goes from low to high.

**5.6.1.3 Mode 2 Rate Generator**

The counter starts when the count is loaded. When the count = 0, the counter is reloaded and the counter is started again. GATE = 1 enables counting. GATE = 0 disables counting. If GATE goes from low to high, the counter is reloaded.

OUT is initially high. When the count = 1, OUT goes low for one clock.

If a new count is written while the counter is counting, it will be loaded the next time the count = 0 or when GATE goes from low to high.



### 5.6.1.4 Mode 3 Square Wave Generator

The counter starts when the count is loaded. When the count = 0, the counter is reloaded and the counter started again. GATE = 1 enables counting. GATE = 0 disables counting. If GATE goes from low to high, the counter is reloaded.

When the counter starts, OUT is high. When the count is half done, OUT goes low. If GATE goes low then OUT will go high.

If a new count is written while the counter is counting, it will be loaded the next time the count = 0 or when GATE goes from low to high.

### 5.6.1.5 Mode 4 Software Triggered Strobe

The counter starts when the count is loaded. When the count = 0, the counter continues counting from FFFFH in binary mode or 9999 in BCD mode. GATE = 1 enables counting. GATE = 0 disables counting. OUT is initially high. When the count = 0, OUT goes low for one clock.

If a new count is written while the counter is counting, it will be loaded on the next clock pulse.

### 5.6.1.6 Mode 5 Hardware Triggered Strobe

The counter starts when the count is loaded. When the count = 0, the counter continues counting from FFFFH in binary mode or 9999 in BCD mode. GATE = 1 enables counting. GATE = 0 disables counting. If GATE goes from low to high, the counter is reloaded. OUT is high when the counter starts. When count = 0, OUT goes low for one clock. If a new count is written while the counter is counting, it will be loaded the next time the count = 0 or when GATE goes from low to high.

### 5.6.2 Reading The Counter

There are three ways of reading the counters:

1. The count is read directly. This mode can cause false readings due to the fact that the counter may be changing while it is read.
2. The count may be read via a Counter Latch Command. (See Control Word format 1). This command latches the count so that it may be read without changing.
3. The count may be read via a Read Back Command. (See Control Word format 2). This command is the equivalent of multiple Counter Latch Commands.

### 5.6.3 Reading Status

The status of a counter may be read by issuing a Read Back Command with data bit 4 = 0. (See Control Word format 2). Bits 0:5 are the same as the command word for the counter. Bit 6 tells whether the last count that was written has been loaded into the counter. Bit 7 reflects the state of the OUT pin.

STATUS WORD	
0	BCD
1-3	Mode
4-5	Function
6	New Count Written
7	Out Status

### 5.6.4 Page

The page register is an 8-bit by 16-byte dual-ported RAM. It is used during refresh cycles and to generate address bits 16 to 23 for 8-bit DMA transfers and address bits 17 to 23 for 16-bit DMA transfers. One port of the RAM is a read-only port for DMA or refresh cycles and the other is a read/write port for the CPU.



**5.6.5 Refresh Address**

This block contains an 11-bit counter that is used for the address during a refresh.

**5.6.6 Timer Shadow**

For both Suspend/Resume and Hibernation the state of the write only registers in the timer may be read. Refer to Section 8.14.5 Timer Count for details.

**Page Register Decodes**

Address	Decode
0087H	DMA Channel 0
0083H	DMA Channel 1
0081H	DMA Channel 2
0082H	DMA Channel 3
008BH	DMA Channel 5
0089H	DMA Channel 6
008AH	DMA Channel 7
008FH	Refresh

**TABLE 5-9. PAGE REGISTER DECODES**

**5.7 SYSTEM CONTROLLER DECODE**

The WD8110/LV supports both the 100% IBM-AT compatible I/O decoding (10-bit mode) and the newer IBM PS/2 compatible I/O decoding (16-bit mode). The mode is selected by EN\_16 (bit 05) at Port Address 2872H. Refer to Section 7.2.

**NOTE**

Page register data appears on address bits A(23:16) during refresh and 8-bit DMA cycles. For 16-bit DMA cycles (channels 5:7), the LSB of the page register does not appear.

DEVICE	10-BIT MODE ADDRESS IN HEX	16-BIT MODE ADDRESS IN HEX
DMA Controller 1 (Ch 0:3)	000:01F	0000:000F
Interrupt Controller Master	020:03F	0020:0021
Timer	040:05F	0040:0043
Port B - Parity Error And I/O Channel Check	061:06F (odd)	0061
Real-Time Clock (Address)	070	0070
Real-Time Clock (Data)	071	0071
Page Register (except 092H)	080:091 093:09F	0080:008F
ALT 20 GATE, Hot Reset (Port 92H)	092	0092
Interrupt Controller Slave	0A0:0BF	00A0:00A1

**TABLE 5-8. DEVICE ADDRESSES**



**5.8 NMI AND REAL TIME CLOCK**

**5.8.1 Real-Time Clock Address Register**

Port Addresses 070H in 10-bit mode  
0070H in 16-bit mode

- Write only

7	6	5	4	3	2	1	0
D_NMI	RTC A6	RTC A5	RTC A4	RTC A3	RTC A2	RTC A1	RTC A0

Signal Name	Default At RSTIN
D_NMI	1
RTCA(6:0)	None

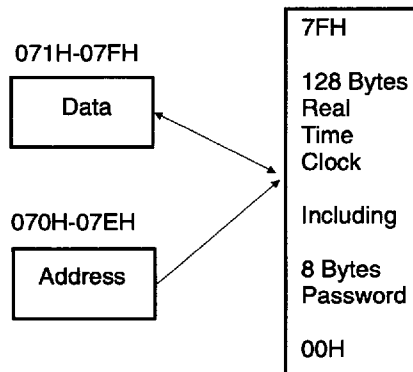
**Bit 7 - D\_NMI, Disable Non-Maskable Interrupt**

D\_NMI = 0 - Non-Maskable Interrupt enabled.

D\_NMI = 1 - Non-Maskable Interrupt disabled.

**Bits 6:0 - RTCA(6:0), Real-Time Clock Address**

RTCA(6:0) provide the 128 addresses of the Real-Time Clock area. The data selected by one of these addresses is available by reading the RTC Data Register at 071H in 10-bit mode or 0071H in 16-bit mode.



**5.8.2 Real-Time Clock Data Register**

Port Addresses 071H in 10-bit mode  
0071H in 16-bit mode

- Read and Write

Data is transferred between this register and the memory location selected by the RTC Address Register. The data bus used is selected by bit 15 of the register at Port Address 2872H (refer to Section 7.2).

7	6	5	4	3	2	1	0
Real-Time Clock Data							

**5.8.3 Lock Pass, Alternate A20G and Hot Reset**

Port Address 092H in 10-bit mode  
0092H in 16-bit mode

- Read and Write

7	6	5	4	3	2	1	0
				LOCK PASS		ALT_A20G	HOT_RST

Signal Name	Default At RSTIN
Bits 7-4, 2	None
LOCK_PASS	0
ALT_A20G	0
HOT_RST	0

**Bit 3 - LOCK\_PASS**

LOCK\_PASS is used to prevent access to the eight byte password located in the Real-Time Clock area. The protected addresses are 38H through 3FH. Before LOCK\_PASS can be set, bit 2 of the register at Port Address 2872H must be set to 0. Once LOCK\_PASS is set, it can only be reset by RSTIN.

LOCK\_PASS = 0 - The eight byte password area is accessible.

LOCK\_PASS = 1 - The eight byte password area is not accessible.





**Bit 1 - ALT\_A20G, Alternate A20 Gate**

Normally, the state of ALT\_A20G is ORed with the external A20GT signal. If either ALT\_A20G or A20GT is high, the A20 line is ungated. If both ALT\_A20G and A20GT are low, A20 will be gated low.

As an option, ALT\_A20G may be programmed by the Diagnostic Register at Port Address 9872H to automatically change state to match that of the Keyboard's A20GATE.

**Bit 0 - HOT\_RST, Hot Reset**

A processor reset (CPURES) is generated 128 CPUCLKs after the HOT\_RST changes from a 0 to 1. The CPURES is 16 clock pulses wide.

**5.9 PORT B - PARITY ERROR AND I/O CHANNEL CHECK**

Port B is accessed at any odd numbered Port Address 061H:06FH in 10-bit mode, or 0061H in 16-bit mode. This provides access to parity error and I/O Channel Check of the expansion bus.

- Bits 7:4 – Read only
- Bits 3:0 – Read and Write

7	6	5	4	3	2	1	0
PE	IOCK	OUT 2	REF DT	D_ IOC	D_ PE	ENS PK	TMR 2G

Signal Name	Default At RSTIN
PE . . . . .	0
IOCK . . . . .	0
OUT2 . . . . .	NA
REFDT . . . . .	1
D_ IOC . . . . .	0
D_ PE . . . . .	0
ENSPK . . . . .	0
TMR2G . . . . .	0

**Bit 7 - PE, Parity Error**

- PE = 0 - No Parity Error.
- PE = 1 - Parity Error.

**Bit 6 - IOCK, I/O Channel Check from the expansion bus**

- IOCK = 0 - No I/O Channel Check Error.
- IOCK = 1 - I/O Channel Check Error.

**Bit 5 - OUT2, Out from timer channel 2**

OUT2 represents the state of the Timer 2 output.

**Bit 4 - REF\_DT, Refresh Detect**

REF\_DT changes state on each refresh.

**Bit 3 - D\_IOC, Disable I/O Channel Check**

- D\_IOC = 0 - I/O channel check from the expansion bus is not disabled.
- D\_IOC = 1 - I/O channel check from the expansion bus is disabled.

**Bit 2 - D\_PE, Disable Parity Error Check**

- D\_PE = 0 - Parity error checking not disabled. This may be overridden by the PAR\_CHE bit in ESF Register 1A8H for systems without parity RAM.
- D\_PE = 1 - Parity error checking disabled.

**Bit 1 - ENSPK, Enable Speaker**

- ENSPK = 0 - Speaker is not enabled.
- ENSPK = 1 - Speaker is enabled.

**Bit 0 - TMR2G, Gate for Timer Channel 2**

- TMR2G = 0 - Timer Channel 2 gated low.
- TMR2G = 1 - Timer Channel 2 output enabled.



## 6.0 CPU DRAM CONTROLLER

This section describes the programmable Extended Setup Facility (ESF) registers as well as the following DRAM controller modes of operation:

- Burst Mode
- Interleave Mode
- Fast Page Mode
- Static Column Mode

The DRAM Controller directly supports a 486 Burst order sequence and always operates in Page Mode. It also supports Double Word Interleave with concurrent access to two banks.

For 80486 CPUs, the DRAM data bus can be connected directly to the CPU and WD8110 data bus, eliminating the need for DRAM data buffers such as 74ACT245. For 80386 CPUs 74ACT245 memory data buffers are required to prevent data contention between the CPU and DRAM data.

The DRAM parameters are programmable and the DRAM controller operates in either Interleave on or off mode. The DRAMs CAS signals are used as output enables for banks. The DRAM controller supports up to five banks of DRAM using 14 signals. RAS(4:0) for all banks, CAS(03:00) for each byte in Banks 4, 2 and 0, and CAS(13:10) for Banks 3 and 1, and one WE for all banks.

In 486 Mode, the DRAM controller accesses four 32-bit words, while in 386 Mode, it accesses only one 32-bit word.

### 6.1 INTERLEAVE MODE ON

Interleave Mode for banks 1 and 0 is enabled by setting ESF Register 198H bit 3 to 1. Interleave Mode for banks 3 and 2 is enabled by setting ESF Register 198H bit 4 to 1. As many as five banks of DRAM may be controlled and there must be two or four banks installed to turn interleave on. Banks 1 and 0 operate as one pair and may be interleaved, and banks 3 and 2 operate as another pair and may be interleaved. Bank 4 is not interleaved.

Each bank has its own dedicated RAS signal, RAS4 for bank 4 through RAS0 for bank 0. When Interleave Mode is on, it is necessary that both banks being interleaved are of the same type.

When access starts, RAS lines for both banks are asserted simultaneously.

The WD8110/LV generates multiplexed address bits RA(11:4, 2:0), RA3B and RA3A for the DRAMs. RA(11:4, 2:0) go to all five banks, RA3A to banks 4, 2 and 0 and RA3B to banks 3 and 1. The WD8110/LV uses address bit A3 from the CPU to generate RA3A and RA3B.

When access starts, 32 bits from banks 1 and 0 or 3 and 2 are addressed simultaneously (64 bits), but only one set of CAS signals (CAS03:00 or CAS13:10) are asserted at this time, selecting 32 bits from a single bank. When the 32-bit word is received by the CPU, RA3A and RA3B and the CAS sets change state. If the first 32-bit word is being sent to the CPU from bank 1, the next word may be accessed from bank 0 because RA3A and RA3B have already changed state.

This overlapping of access allows Fast Page Mode DRAMs to be used to achieve high performance line fill. Separate CAS lines for bank 0 (CAS03:00) and bank 1 (CAS13:10) are provided and used as output enable of DRAM banks. The CPU address bit A2 decides whether CAS(03:00) (A2 = 0) or CAS(13:10) (A2 = 1) will be turned on first. The CAS pulse width is programmable in units of CPUCLK as defined by ESF Registers 199H, 1A1H:1A5H.

### 6.2 INTERLEAVE MODE OFF

When Interleave Mode is off, the DRAM controller requires all word accesses from the same bank. The DRAM signals are controlled so that CAS(03:00) is generated for access to banks 2 and 0. For access to banks 3 or 1, CAS(13:10) is generated).

For Static Column DRAMs, CAS(03:00) or CAS(13:10) is set low on the first 32-bit read and remains low for the rest of the cycle and only the DRAM address is changed.

For Page Mode DRAMs, the address is changed and CAS(03:00) or CAS(13:10) is set high for one CLK (or CAS precharge programmed value) and then set low again to clock the new DRAM address and access the next word. The Static



Column access is four CPUCLK times faster since CAS does not have to be set high.

In either Interleave Mode on or off, early write mode of DRAMs is used.

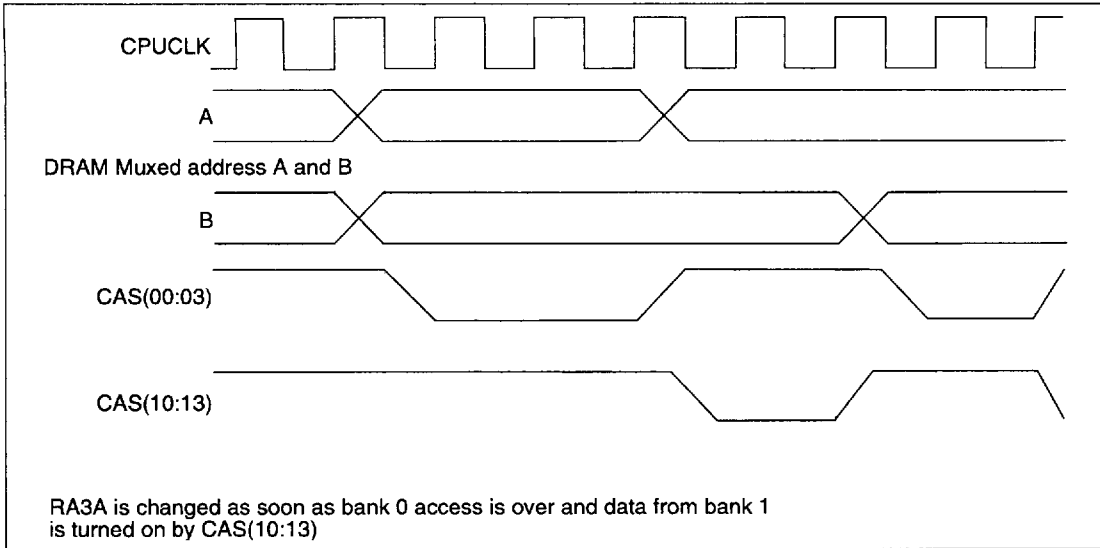


FIGURE 6-1. INTERLEAVE ON - FAST PAGE MODE DRAMs

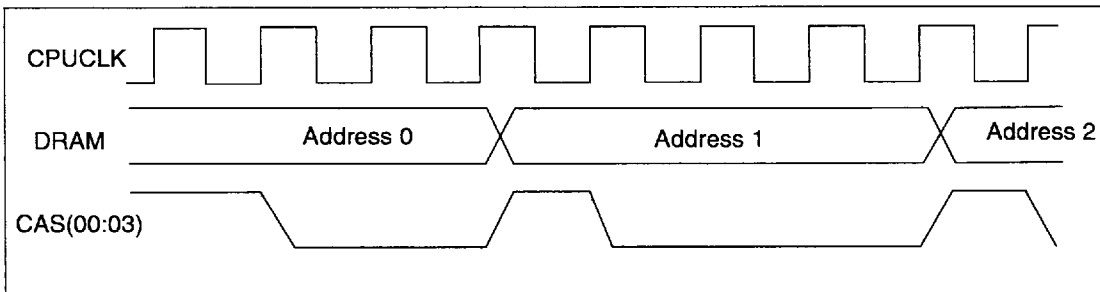


FIGURE 6-2. INTERLEAVE OFF - PAGE MODE DRAM

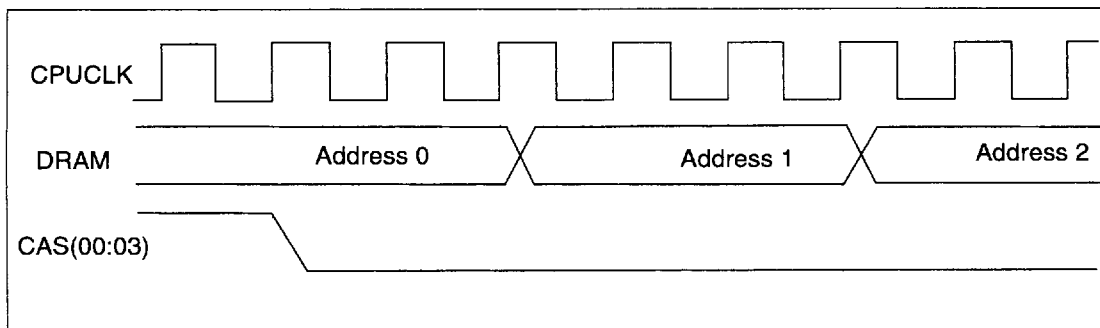


FIGURE 6-3. INTERLEAVE OFF - STATIC COLUMN MODE DRAM



**6.3 DRAM ADDRESS MULTIPLEXER**

The memory address bus serves three functions.

1. During DRAM cycles, the DRAM row and column address RA(11:4), RA3A, RA3B and RA(2:0) are present as the RA bus.
2. During I/O cycles, chip selects CS(4:0), along with CSEN, are output to select up to 16 or 32 possible chip selects.
3. During I/O cycles, the bus serves as an eight bit data bus ED(7:0) to devices such as the keyboard controller or system BIOS.

The address multiplexer is implemented in the WD8110/LV. RA(11:4), RA3A, RA3B and RA(2:0) can drive loads as great as 450 pF, so that additional address buffers are not required for DRAM addresses with a load less than 450 pF. External buffers can be used for loads greater than 450 pF.

The following tables present the address assignment for the different type of DRAM and Interleave bit.

When Interleave is on, banks being interleaved must have the same type DRAMs.

**DRAM Address MUX type 9x9, 10x9 - Interleave on**

<b>RA</b>	<b>0</b>	<b>1</b>	<b>2</b>	<b>3</b>	<b>4</b>	<b>5</b>	<b>6</b>	<b>7</b>	<b>8</b>	<b>9</b>	<b>10</b>	<b>11</b>
<b>CAS</b>	4	5	10	3	6	7	8	9	11			
<b>RAS</b>	13	14	18	19	20	12	15	16	17	21	22	23
<b>REF</b>	4	5	2	3	6	7	0	1	8	9	10	11

**DRAM Address MUX type 9x9, 10x9 - Interleave off**

<b>RA</b>	<b>0</b>	<b>1</b>	<b>2</b>	<b>3</b>	<b>4</b>	<b>5</b>	<b>6</b>	<b>7</b>	<b>8</b>	<b>9</b>	<b>10</b>	<b>11</b>
<b>CAS</b>	4	5	2	3	6	7	8	9	10			
<b>RAS</b>	13	14	18	19	11	12	15	16	17	20	21	22
<b>REF</b>	4	5	2	3	6	7	0	1	8	9	10	11

**DRAM Address MUX type 10x10, 11x10 - Interleave on**

<b>RA</b>	<b>0</b>	<b>1</b>	<b>2</b>	<b>3</b>	<b>4</b>	<b>5</b>	<b>6</b>	<b>7</b>	<b>8</b>	<b>9</b>	<b>10</b>	<b>11</b>
<b>CAS</b>	4	5	10	3	6	7	8	9	11	12		
<b>RAS</b>	13	14	18	19	20	22	15	16	17	21	23	24
<b>REF</b>	4	5	2	3	6	7	0	1	8	9	10	11

**DRAM Address MUX type 10x10, 11x10 - Interleave off**

<b>RA</b>	<b>0</b>	<b>1</b>	<b>2</b>	<b>3</b>	<b>4</b>	<b>5</b>	<b>6</b>	<b>7</b>	<b>8</b>	<b>9</b>	<b>10</b>	<b>11</b>
<b>CAS</b>	4	5	2	3	6	7	8	9	10	11		
<b>RAS</b>	13	14	18	19	21	12	15	16	17	20	22	23
<b>REF</b>	4	5	2	3	6	7	0	1	8	9	10	11



**DRAM Address MUX type 11x11, 12x11 - Interleave on**

RA	0	1	2	3	4	5	6	7	8	9	10	11
CAS	4	5	10	3	6	7	8	9	11	12	13	
RAS	24	14	18	19	20	22	15	16	17	21	23	25
REF	4	5	2	3	6	7	0	1	8	9	10	11

**DRAM Address MUX type 11x11, 12x11 - Interleave off**

RA	0	1	2	3	4	5	6	7	8	9	10	11
CAS	4	5	2	3	6	7	8	9	10	11	12	
RAS	13	14	18	19	21	23	15	16	17	20	22	24
REF	4	5	2	3	6	7	0	1	8	9	10	11

**DRAM Address MUX type 12x8 - Interleave on**

RA	0	1	2	3	4	5	6	7	8	9	10	11
CAS	4	5	10	3	6	7	8	9				
RAS	13	14	18	19	20	12	15	16	17	21	22	11
REF	4	5	2	3	6	7	0	1	8	9	10	11

**DRAM Address MUX type 12x8 - Interleave off**

RA	0	1	2	3	4	5	6	7	8	9	10	11
CAS	4	5	2	3	6	7	8	9				
RAS	13	14	18	19	20	12	15	16	17	21	10	11
REF	4	5	2	3	6	7	0	1	8	9	10	11

**DRAM Address MUX type 12x12 - Interleave on**

RA	0	1	2	3	4	5	6	7	8	9	10	11
CAS	4	5	10	3	6	7	8	9	11	12	13	14
RAS	24	26	18	19	20	22	15	16	17	21	23	25
REF	4	5	2	3	6	7	0	1	8	9	10	11

**DRAM Address MUX type 12x12 - Interleave off**

RA	0	1	2	3	4	5	6	7	8	9	10	11
CAS	4	5	2	3	6	7	8	9	10	11	12	13
RAS	25	14	18	19	21	23	15	16	17	20	22	24
REF	4	5	2	3	6	7	0	1	8	9	10	11



**6.4 EXTENDED SETUP FACILITY (ESF) REGISTERS**

The DRAM controller within the WD8110/LV always operates in Page Mode for CPU accesses and controls up to five banks. The ESF registers control the operation of DRAM.

The Extended Setup Facility (ESF) provides a means of programming the I/O registers in the System Controller. The ESF register address is written to Ports 74H and 75H. The data addressed by these ports can be accessed from Data Port 700H (default). The data port address can be changed by unlocking the ESF registers.

Port 74H bits 7:0 = LSB of the ESF address.  
 Port 75H bits 7:0 = MSB of the ESF address.  
 Port 700H = Data Port for ESF.

Optionally the ESF address can be written to Port Address 4872H and the data at the ESF register can be read from Port Address 5072H. All ESF I/O ports are accessed as eight bit ports. All System Controller I/O Ports are within ESF:190H to 19FH and 1A0H to 1AFH. All other ESF addresses are reserved for future use.

The following ESF registers are read only when in Virus Protection Mod:  
 ESF190H:ESF198H                      ESF19AH:ESF19EH,  
 ESF1A8H,                                      ESF1ABH

**6.4.1 System Configuration Register**

ESF Port Address 19FH – Bits 3:1 Read only  
 Bits 7:4, 0 Read and Write

7	6	5	4	3	2	1	0
Reserved		RAS Timeout		Reserved			WTKEN

Signal Name	Default At RSTIN
Reserved	0
RAS Timeout	0
Reserved	0
WTKEN	0

**Bit 7:6 - Reserved**

**Bit 5:4 - RAS Timeout**

If the 10 μs RAS Timeout feature is enabled, these bits are used to control the accuracy. The WD8110/LV approximates the 10 μs RAS timeout timer by counting CPU clock and counts more clock at high speed.

Bit 5	4	
0	0	- 25 MHz
0	1	- 33 MHz
1	0	- 50 MHz
1	1	- 20 MHz

**Bits 3:1 - Reserved**

**Bit 0 - WTKEN, Weitek 4167 Enable**

WTKEN = 0 -  
 Weitek 4167 is disabled. WD8110/LV generates one wait state RDY486 for addresses C0000000 through CFFFFFFF.

WTKEN = 1 -  
 Weitek 4167 is present. Addresses C0000000 through CFFFFFFF are not executed by WD8110/LV and it waits for Weitek 4167 to generate RDYIN.

**6.4.2 Bank 0:4 Enabling and Address Multiplexing**

The following three registers control the enable/disable, and Column and Row address bits, of Banks 0:4

**6.4.2.1 Banks 0:1**

ESF Port Address 190H – Read and Write

7	6	5	4	3	2	1	0
BK EN 1	BK EN 0	BANK 1 BK 1 AD MU		BANK 0 BK 0 AD MU			

Signal Name	Default At RSTIN
All signals	0

**Bit 7 - BK EN 1, Bank Enable 1**

BK EN 1 = 0 -  
 Bank 1 disabled.

BK EN 1 = 1 -  
 Bank 1 enabled.



**Bit 6 - BK EN 0, Bank Enable 0**

- BK EN 0 = 0 - Bank 0 disabled.
- BK EN 0 = 1 - Bank 0 enabled.

**Bits 5:3 - BK 1 AD MU, Bank 1 Address Mux**

- BK 1 AD MU**
- |   |   |   |   |  |
|---|---|---|---|--|
| 5 | 4 | 3 |   |  |
| 0 | 0 | 0 | - | Col Add 9 bits<br>Row Add 9, 10, 11, 12 bits |
| 0 | 0 | 1 | - | Col Add 12 bits<br>Row Add 12 bits           |
| 0 | 1 | 0 | - | Col Add 10 bits<br>Row Add 10, 11, 12, bits  |
| 0 | 1 | 1 | - | Col Add 11 bits<br>Row Add 11, 12 bits       |
| 1 | 0 | 0 | - | Col Add 8 bits<br>Row Add 12 bits            |

**Bits 2:0 - BK 0 AD MU, Bank 0 Address Mux**

- BK 0 AD MU**
- |   |   |   |   |  |
|---|---|---|---|--|
| 2 | 1 | 0 |   |  |
| 0 | 0 | 0 | - | Col Add 9 bits<br>Row Add 9, 10, 11, 12 bits |
| 0 | 0 | 1 | - | Col Add 12 bits<br>Row Add 12 bits           |
| 0 | 1 | 0 | - | Col Add 10 bits<br>Row Add 10, 11, 12, bits  |
| 0 | 1 | 1 | - | Col Add 11 bits<br>Row Add 11, 12 bits       |
| 1 | 0 | 0 | - | Col Add 8 bits<br>Row Add 12 bits            |

**Bit 6 - BK EN 2, Bank Enable 2**

- BK EN 2 = 0 - Bank 2 disabled.
- BK EN 2 = 1 - Bank 2 enabled.

**Bits 5:3 - BK 3 AD MU, Bank 3 Address Mux**

- BK 3 AD MU**
- |   |   |   |   |  |
|---|---|---|---|--|
| 5 | 4 | 3 |   |  |
| 0 | 0 | 0 | - | Col Add 9 bits<br>Row Add 9, 10, 11, 12 bits |
| 0 | 0 | 1 | - | Col Add 12 bits<br>Row Add 12 bits           |
| 0 | 1 | 0 | - | Col Add 10 bits<br>Row Add 10, 11, 12, bits  |
| 0 | 1 | 1 | - | Col Add 11 bits<br>Row Add 11, 12 bits       |
| 1 | 0 | 0 | - | Col Add 8 bits<br>Row Add 12 bits            |

**Bits 2:0 - BK 2 AD MU, Bank 2 Address Mux**

- BK 2 AD MU**
- |   |   |   |   |  |
|---|---|---|---|--|
| 2 | 1 | 0 |   |  |
| 0 | 0 | 0 | - | Col Add 9 bits.<br>Row Add 9, 10, 11, 12 bits. |
| 0 | 0 | 1 | - | Col Add 12 bits.<br>Row Add 12 bits.           |
| 0 | 1 | 0 | - | Col Add 10 bits.<br>Row Add 10, 11, 12, bits.  |
| 0 | 1 | 1 | - | Col Add 11 bits.<br>Row Add 11, 12 bits.       |
| 1 | 0 | 0 | - | Col Add 8 bits.<br>Row Add 12 bits.            |

**6.4.2.2 Banks 2:3**

ESF Port Address 191H - Read and Write

7	6	5	4	3	2	1	0
BK EN 3 BK EN 2		BANK 3 BK 3 AD MU		BANK 2 BK 2 AD MU			

<b>Signal Name</b>	<b>Default At RSTIN</b>
All signals	0

**Bits 7 - BK EN 3, Bank Enable 3**

- BK EN 3 = 0 - Bank 3 disabled.
- BK EN 3 = 1 - Bank 3 enabled.

**6.4.2.3 Bank 4**

ESF Port Address 1A0H - Read and Write

7	6	5	4	3	2	1	0
BK EN 4			BANK 4 WCCPW	BANK 4 BK 4 AD MU			

<b>Signal Name</b>	<b>Default At RSTIN</b>
Bits 7:6	1
Bits 5:0	0

**Bit 7 - BK EN 4, Bank Enable 4**

- BK EN 4 = 0 - Bank 4 disabled.
- BK EN 4 = 1 - Bank 4 enabled.



**Bits 6:5 - Reserved**

**Bits 4:3 - WCCPW, Bank 4 Write Cycle CAS Pulse Width**

- WCCPW  
 4 3  
 0 0 - CAS is 1 CLK.  
 0 1 - CAS is 2 CLK.  
 1 0 - CAS is 3 CLK.  
 1 1 - CAS is 3 CLK.

**Bits 2:0 - BK 4 AD MU, Bank 4 Address Mux**

- BK 4 AD MU  
 2 1 0  
 0 0 0 - Col Add 9 bits.  
           Row Add 9, 10, 11, 12 bits.  
 0 0 1 - Col Add 12 bits.  
           Row Add 12 bits.  
 0 1 0 - Col Add 10 bits.  
           Row Add 10, 11, 12, bits.  
 0 1 1 - Col Add 11 bits.  
           Row Add 11, 12 bits.  
 1 0 0 - Col Add 8 bits.  
           Row Add 12 bits.

**6.4.3.1 Bank 0 Size Control**

ESF Port Address 192H - Read and Write

7	6	5	4	3	2	1	0
RA01 RA00		Memory Address MA25 MA24 MA23 MA22 MA21 MA20					

Signal Name	Default At RSTIN
All signals . . . . .	0

**Bits 7:6 - RA(01:00), Row Address bits 01:00**

RA(01:00) are used to detect Page Hit cycles.

- RA(01:00)  
 7 6  
 0 0 - 9 Row Address bits.  
 0 1 - 10 Row Address bits.  
 1 0 - 11 Row Address bits.  
 1 1 - 12 Row Address bits.

**Bits 5:0 - MA(25:20), Memory Address**

See Table 6-1.

**6.4.3 Bank 0:4 Size**

The Bank Size Control registers in ESF Port Addresses 192H, 19AH, 19BH, 19CH and 19DH are used to program the Row Address bits and control the total DRAM memory size in each of the five Banks. MA(25:20) are used as masking control bits for corresponding address comparison to determine the memory size. The encoding of MA(25:20) is the same for all five registers and is provided in Table 6-1.

MA25	MA24	MA23	MA22	MA21	MA20	BANK SIZE INTERLEAVE	
						OFF	ON
0	0	0	0	0	0	1 MB	N.A.
0	0	0	0	0	1	2 MB	1 MB
0	0	0	0	1	1	4 MB	2 MB
0	0	0	1	1	1	8 MB	4 MB
0	0	1	1	1	1	16 MB	8 MB
0	1	1	1	1	1	32 MB	16 MB
1	1	1	1	1	1	64 MB	32 MB

**TABLE 6-1. BITS 5:0 MA(25:20) MEMORY ADDRESS SETTING**





**6.4.3.2 Bank 1 Size Control**

ESF Port Address 19AH - Read and Write

7	6	5	4	3	2	1	0
RA11	RA10	Memory Address					
		MA25	MA24	MA23	MA22	MA21	MA20

Signal Name	Default At RSTIN
All signals . . . . .	0

**Bits 7:6 - RA(11:10), Row Address bits 11:10**

RA(11:10) are used to detect Page Hit cycles.

RA(11:10)

7	6		
0	0	-	9 Row Address bits.
0	1	-	10 Row Address bits.
1	0	-	11 Row Address bits.
1	1	-	12 Row Address bits.

**Bits 5:0 - MA(25:20), Memory Address**

See Table 6-1.

**6.4.3.4 Bank 3 Size Control**

ESF Port Address 19CH - Read and Write

7	6	5	4	3	2	1	0
RA31	RA30	Memory Address					
		MA25	MA24	MA23	MA22	MA21	MA20

Signal Name	Default At RSTIN
All signals . . . . .	0

**Bits 7:6 - RA(31:30), Row Address bits 31:30**

RA(31:30) are used to detect Page Hit cycles.

RA(31:30)

7	6		
0	0	-	9 Row Address bits.
0	1	-	10 Row Address bits.
1	0	-	11 Row Address bits.
1	1	-	12 Row Address bits.

**Bits 5:0 - MA(25:20), Memory Address**

See Table 6-1.

**6.4.3.3 Bank 2 Size Control**

ESF Port Address 19BH - Read and Write

7	6	5	4	3	2	1	0
RA21	RA20	Memory Address					
		MA25	MA24	MA23	MA22	MA21	MA20

Signal Name	Default At RSTIN
All signals . . . . .	0

**Bits 7:6 - RA(21:20), Row Address bits 21:20**

RA(21:20) are used to detect Page Hit cycles.

RA(21:20)

7	6		
0	0	-	9 Row Address bits.
0	1	-	10 Row Address bits.
1	0	-	11 Row Address bits.
1	1	-	12 Row Address bits.

**Bits 5:0 - MA(25:20), Memory Address**

See Table 6-1.

**6.4.3.5 Bank 4 Size Control**

ESF Port Address 19DH - Read and Write

7	6	5	4	3	2	1	0
RA41	RA40	Memory Address					
		MA25	MA24	MA23	MA22	MA21	MA20

Signal Name	Default At RSTIN
All signals . . . . .	0

**Bits 7:6 - RA(41:40), Row Address bits 41:40**

RA(41:40) are used to detect Page Hit cycles.

RA(41:40)

7	6		
0	0	-	9 Row Address bits.
0	1	-	10 Row Address bits.
1	0	-	11 Row Address bits.
1	1	-	12 Row Address bits.

**Bits 5:0 - MA(25:20), Memory Address**

See Table 6-1.

**6.4.4 Memory Shadow Control**

Memory Shadow Control Registers 1 and 2 control whether the memory space between 640 KB and 1 MB is Disabled, Read Only, Write Only or Read and Write. This memory space is divided into seven regions and each region is controlled separately. When a region is disabled and the CPU generates an address in that region, an AT Bus cycle is initiated. Also, when a region is disabled, it may be remapped to the highest memory location by enabling its corresponding Split Enable control bit in ESF:1ABH register.

The seven regions are identified as follows:

- A0000 - AFFFF = Region A 64KB of memory
- B0000 - BFFFF = Region B 64KB of memory
- C0000 - C7FFF = Region C0 32KB of memory
- C8000 - CFFFF = Region C8 32KB of memory
- D0000 - DFFFF = Region D 64KB of memory
- E0000 - EFFFF = Region E 64KB of memory
- F0000 - FFFFF = Region F 64KB of memory

**6.4.4.1 Memory Shadow Control Register 1**

ESF Port Address 1AAH - Read and Write

7	6	5	4	3	2	1	0
REGION C8		REGION C0		REGION B		REGION A	

Signal Name	Default At RSTIN
All Signals . . . . .	0

**Bits 7:6 - C8, Region C8**

- Region C8
- 7 6
  - 0 0 - DRAM block disabled. R/W are mapped to AT Bus.
  - 0 1 - Read from DRAM, write to AT Bus.
  - 1 0 - Write to DRAM, read from AT Bus.
  - 1 1 - Read/Write from or to DRAM.

**Bits 5:4 - C0, Region C0**

- Region C0
- 5 4
  - 0 0 - DRAM block disabled. R/W are mapped to AT Bus.
  - 0 1 - Read from DRAM, write to AT Bus.
  - 1 0 - Write to DRAM, read from AT Bus.
  - 1 1 - Read/Write from/to DRAM.

**Bits 3:2 - B, Region B**

- Region B
- 3 2
  - 0 0 - DRAM block disabled. R/W are mapped to AT Bus.
  - 0 1 - Read from DRAM, write to AT Bus.
  - 1 0 - Write to DRAM, read from AT Bus.
  - 1 1 - Read/Write from/to DRAM.

**Bits 1:0 - A, Region A**

- Region A
- 1 0
  - 0 0 - DRAM block disabled. R/W are mapped to AT Bus.
  - 0 1 - Read from DRAM, write to AT Bus.
  - 1 0 - Write to DRAM, read from AT Bus.
  - 1 1 - Read/Write from/to DRAM.



**6.4.4.2 Memory Shadow Control Register 2**

ESF Port Address 1A9H - Read and Write

7	6	5	4	3	2	1	0
BIOS ROM		REGION F		REGION E		REGION D	

Signal Name	Default At RSTIN
All Signals	0

**Bits 7:6 - ROM SP, BIOS ROM Space**

- ROM SP
- |   |   |   |
|---|---|---|
| 7 | 6 |   |
| 0 | 0 | - BIOS ROM Chip Select for 0E0000 to 0FFFFF |
| 0 | 1 | - BIOS ROM Chip Select for 0F0000 to 0FFFFF |
| 1 | 0 | - BIOS ROM Chip Select for 0D0000 to 0FFFFF |
| 1 | 1 | - BIOS ROM Chip Select for 0C0000 to 0FFFFF |

**Bits 5:4 - F, Region F**

- Region F
- |   |   |  |
|---|---|--|
| 5 | 4 |  |
| 0 | 0 | - DRAM block disabled. R/W are mapped to AT Bus. |
| 0 | 1 | - Read from DRAM, write to AT Bus.               |
| 1 | 0 | - Write to DRAM, read from AT Bus.               |
| 1 | 1 | - Read/Write from/to DRAM.                       |

**Bits 3:2 - E, Region E**

- Region E
- |   |   |  |
|---|---|--|
| 3 | 2 |  |
| 0 | 0 | - DRAM block disabled. R/W are mapped to AT Bus. |
| 0 | 1 | - Read from DRAM, write to AT Bus.               |
| 1 | 0 | - Write to DRAM, read from AT Bus.               |
| 1 | 1 | - Read/Write from/to DRAM.                       |

**Bits 1:0 - D, Region D**

- Region D
- |   |   |  |
|---|---|--|
| 1 | 0 |  |
| 0 | 0 | - DRAM block disabled. R/W are mapped to AT Bus. |
| 0 | 1 | - Read from DRAM, write to AT Bus.               |
| 1 | 0 | - Write to DRAM, read from AT Bus.               |
| 1 | 1 | - Read/Write from/to DRAM.                       |

**6.4.5 Split Memory and SMI Control**

Only regions A, B, C and D can be remapped to the address specified by the Split Memory Start Address Register at ESF:193H. The Split Memory Start Address is on 1 MB boundaries. The SMIBASE(1:0) bits designate the start address of the SMI RAM in the processor memory address range and can be selected as 30000H, 40000H or 60000H.

Bit 8 of Port Address 7472H is an SMI RAM enable bit and, when low, the RAM that is split appears at the Split Memory Start address. For example: If regions A, C and D are to be split and the Split RAM Starting Address is 4 MB, the CPU will detect a 192 KB of memory at address range 4 MB to be 4 MB + 192 KB (three 64 KB blocks). Programming SMISIZE(1:0) to 0 1 (128 KB) programs the last two blocks (C and D) as SMI RAM map. As long as SMI RAM Enable is low, the CPU can detect three 64 KB blocks starting at 4 MB. The CPU can download the SMI software in SMI RAM area. Once the SMI RAM Enable bit is set, any time that the CPU makes an access to 06000 through 6FFFF (or 30000 through 3FFFF etc.) with SMIADS active, the access is translated to 0C0000 through CFFFF and accesses to 70000 through 7FFFF with SMIADS active are translated to D0000 through DFFFF. The CPU can detect only one 64 KB block at 4 MB address, thereby protecting the SMI RAM area from normal CPU operation.



**6.4.5.1 Split Memory Control and SMI RAM Start Address**

ESF Port Address 1ABH – Read and Write

7	6	5	4	3	2	1	0
Split Memory				SMI RAM Size		SMI Base	
SPLT A	SPLT B	SPLT C	SPLT D	SRS1	SRS0	1	0

Signal Name	Default At RSTIN
SPLT(A:B)	11
SPLT(C:D)	00
SRS1	0
SRS0	1
SMIBASE(1:0)	11

**Bit 7 - SPLTA, Split Memory at DRAM Region A**

SPLTA = 0 - Disabled

SPLTA = 1 - Enabled

**Bit 6 - SPLTB, Split Memory at DRAM Region B**

SPLTB = 0 - Disabled

SPLTB = 1 - Enabled

**Bit 5 - SPLTC, Split Memory at DRAM Region C**

SPLTC = 0 - Disabled

SPLTC = 1 - Enabled

**Bit 4 - SPLTD, Split Memory at DRAM Region D**

SPLTD = 0 - Disabled

SPLTD = 1 - Enabled

**Bits (3:2) - SRS(1:0), SMI RAM Size**

SMI RAM size 192 KB supports only the following region groups: A, A B C, A B D, A C D.

SRS(1:0)

1	0	64 KB
0	0	128 KB
0	1	192 KB
1	1	256 KB

**Bits (1:0) - SMIBASE(1:0), SMI RAM Base Address**

SMIBASE(1:0)

1	0	30000H (Intel SMI)
0	0	40000H (Cyrix SMI with 256K SMI RAM)
0	1	60000H (AMD SMI)
1	1	Reserved

**6.4.6 Split Start Address Register**

ESF Port Address 193H – Read and Write

7	6	5	4	3	2	1	0
SA27	SA26	SA25	SA24	SA23	SA22	SA21	SA20

Signal Name	Default At RSTIN
SA(27:20)	0



**6.4.7 Memory Banks(0:4) Start Address Registers**

**Bank 0:**

ESF Port Address 194H – Read and Write

This register provides the start address for memory bank 0 as controlled by the WD8110/LV.

7	6	5	4	3	2	1	0
A27	A26	A25	A24	A23	A22	A21	A20

Signal Name	Default At RSTIN
A(27:20)	0

**Bank 1:**

ESF Port Address 195H – Read and Write

This register provides the start address for memory bank 1 as controlled by the WD8110/LV.

7	6	5	4	3	2	1	0
A27	A26	A25	A24	A23	A22	A21	A20

Signal Name	Default At RSTIN
A(27:21)	0
A20	1

**Bank 2:**

ESF Port Address 196H – Read and Write

This register provides the start address for memory bank 2 as controlled by the WD8110/LV.

7	6	5	4	3	2	1	0
A27	A26	A25	A24	A23	A22	A21	A20

Signal Name	Default At RSTIN
A(27:22)	0
A21	1
A20	0

**Bank 3:**

ESF Port Address 197H – Read and Write

This register provides the start address for memory bank 3 as controlled by the WD8110/LV.

7	6	5	4	3	2	1	0
A27	A26	A25	A24	A23	A22	A21	A20

Signal Name	Default At RSTIN
A(27:22)	0
A(21:20)	1

**Bank 4:**

ESF Port Address 19EH – Read and Write

This register provides the start address for memory bank 4 as controlled by the WD8110/LV.

7	6	5	4	3	2	1	0
A27	A26	A25	A24	A23	A22	A21	A20

Signal Name	Default At RSTIN
A(27:23)	0
A22	1
A(21:20)	0



**6.4.8 DRAM Mode Register**

ESF Port Address 198H - Read and Write

This register establishes some of the operating modes for all the DRAM banks. See Section 6.4.9 Static Column or Page Mode.

7	6	5	4	3	2	1	0
	RAS_TO	STBU_REF	Interleave On INTLV INTLV 2 3 0 1		MCD	FAST_RD	FAST_WR

<b>Signal Name</b>	<b>Default At RSTIN</b>
All Signals . . . . .	0

**Bit 7 - Reserved**

**Bit 6 - RAS\_TO, RAS Timeout**

RAS\_TO = 0 -  
10 µs RAS timeout disabled.

RAS\_TO = 1 -  
10 µs RAS timeout enabled.

**Bit 5 - STBU\_REF, Standard Or Burst Refresh**

STBU\_REF = 0 -  
Standard refresh.

STBU\_REF = 1 -  
Burst of 8 refresh cycles.

**Bit 4 - INTLV 2 3, Banks 2 and 3 Interleave**

INTLV = 0 -  
Interleave off for banks 2 and 3.

INTLV = 1 -  
Interleave on for banks 2 and 3.

**Bit 3 - INTLV 0 1, Banks 0 and 1 Interleave**

INTLV = 0 -  
Interleave off for banks 0 and 1.

INTLV = 1 -  
Interleave on for banks 0 and 1.

**Bit 2 - MCD, MUX To CAS Delay**

MCD = 0 -  
1 CLK for Page Miss.

MCD = 1 -  
2 CLK for Page Miss.

**Bit 1 - FAST\_RD, Fast Read**

FAST\_RD = 0 -  
Normal read, Page Hit cycle drops CAS at end of T2.

FAST\_RD = 1 -  
Fast read, Page Hit cycle drops CAS in middle of T2.

**Bit 0 - FAST\_WR, Fast Write**

FAST\_WR = 0 -  
Normal write, Page Hit cycle drops CAS at end of T2.

FAST\_WR = 1 -  
Fast write, Page Hit cycle drops CAS in middle of T2.

**6.4.9 Static Column or Page Mode**

ESF Port Address 1A8H - Read and Write

This register is used to place Banks 4:0 in either Page Mode or Static Column Address Mode.

7	6	5	4	3	2	1	0
PAR_CHE	SMI_ADTR	WPC	SCM4	SCM3	SCM2	SCM1	SCM0

<b>Signal Name</b>	<b>Default At RSTIN</b>
PAR_CHE . . . . .	1
All Other Signals . . . . .	0

**Bit 7 - PAR\_CHE, Parity Check**

Both this bit and D\_PE in Port B (I/O address 061H) must be set to 0 for DRAM parity checking to be performed.

PAR\_CHE = 0 -  
DRAM parity checking is enabled.

PAR\_CHE = 1 -  
DRAM parity checking is disabled.



**Bit 6 - SMI\_ADTR**, SMI Address Translation

SMI\_ADTR applies to Intel Mode only.

SMI\_ADTR = 0 -

SMI translation for RAM data and code accesses is performed.

SMI\_ADTR = 1 -

SMI translation for data accesses is not performed. Any access with D/C = 1 is not translated for SMI cycles. In an SMI routine data access will go to standard RAM and code accesses go to SMI RAM.

**Bit 5 - WPC**, Write Parity Control

WPC = 0 -

Odd parity is Written.

WPC = 1 -

Even parity is Written.

**Bit 4 - SCM4**, Static Column Mode Bank 4

SCM4 = 0 -

Bank 4 in Page Mode.

SCM4 = 1 -

Bank 4 in Static Column Address Mode.

**Bit 3 - SCM3**, Static Column Mode Bank 3

SCM3 = 0 -

Bank 3 in Page Mode.

SCM3 = 1 -

Bank 3 in Static Column Address Mode.

**Bit 2 - SCM2**, Static Column Mode Bank 2

SCM2 = 0 -

Bank 2 in Page Mode.

SCM2 = 1 -

Bank 2 in Static Column Address Mode.

**Bit 1 - SCM1**, Static Column Mode Bank 1

SCM1 = 0 -

Bank 1 in Page Mode.

SCM1 = 1 -

Bank 4 in Static Column Address Mode.

**Bit 0 - SCM0**, Static Column Mode Bank 0

SCM0 = 0 -

Bank 0 in Page Mode.

SCM0 = 1 -

Bank 0 in Static Column Address Mode.

**6.4.10 Banks(0:4) RAS/CAS Pulse Width and Precharge Registers**

**Bank 0:**

ESF Port Address 199H - Read and Write

This register controls the RAS/CAS precharge time and pulse width for DRAM Bank 0.

7	6	5	4	3	2	1	0
CAS_PC	CAS_PW_RD		RAS_PW		RAS_PC		

**Signal Name** **Default At RSTIN**

All Signals . . . . . 1

**Bit 7 - CAS\_PC**, CAS Precharge

CAS\_PC = 0 -  
1 CLK

CAS\_PC = 1 -  
2 CLK

**Bits 6:4 - CAS\_PW\_RD**, CAS Pulse Width Read for CAS Pulse Width Write refer to ESF Address 1A4.

CAS\_PW\_RD  
6 5 4  
0 X X - 1 CLK  
1 0 0 - 2 CLK  
1 0 1 - 3 CLK  
1 1 0 - 4 CLK  
1 1 1 - 5 CLK

**Bits 3:2 - RAS\_PW**, RAS Pulse Width

RAS\_PW  
3 2  
0 0 - 2 CLK  
0 1 - 3 CLK  
1 0 - 4 CLK  
1 1 - 5 CLK

**Bits 1:0 - RAS\_PC**, RAS Precharge

RAS\_PC  
1 0  
0 0 - 2 CLK  
0 1 - 3 CLK  
1 0 - 4 CLK  
1 1 - 5 CLK



**Bank 1:**

ESF Port Address 1A1H - Read and Write

This register controls the RAS/CAS precharge time and pulse width for DRAM Bank 1.

7	6	5	4	3	2	1	0
CAS_PC	CAS_PW_RD			RAS_PW		RAS_PC	

Signal Name	Default At RSTIN
All Signals . . . . .	1

**Bit 7 - CAS\_PC, CAS Precharge**

- CAS\_PC = 0 - 1 CLK
- CAS\_PC = 1 - 2 CLK

**Bits 6:4 - CAS\_PW\_RD, CAS Pulse Width Read.**  
For CAS Pulse Width Write refer to ESF Address 1A4H.

- CAS\_PW\_RD
- |   |   |   |         |
|---|---|---|---------|
| 6 | 5 | 4 |         |
| 0 | X | X | - 1 CLK |
| 1 | 0 | 0 | - 2 CLK |
| 1 | 0 | 1 | - 3 CLK |
| 1 | 1 | 0 | - 4 CLK |
| 1 | 1 | 1 | - 5 CLK |

**Bits 3:2 - RAS\_PW, RAS Pulse Width**

- RAS\_PW
- |   |   |         |
|---|---|---------|
| 3 | 2 |         |
| 0 | 0 | - 2 CLK |
| 0 | 1 | - 3 CLK |
| 1 | 0 | - 4 CLK |
| 1 | 1 | - 5 CLK |

**Bits 1:0 - RAS\_PC, RAS Precharge**

- RAS\_PC
- |   |   |         |
|---|---|---------|
| 1 | 0 |         |
| 0 | 0 | - 2 CLK |
| 0 | 1 | - 3 CLK |
| 1 | 0 | - 4 CLK |
| 1 | 1 | - 5 CLK |

**Bank 2:**

ESF Port Address 1A2H - Read and Write

This register controls the RAS/CAS precharge time and pulse width for DRAM Bank 2.

7	6	5	4	3	2	1	0
CAS_PC	CAS_PW_RD			RAS_PW		RAS_PC	

Signal Name	Default At RSTIN
All Signals . . . . .	1

**Bit 7 - CAS\_PC, CAS Precharge**

- CAS\_PC = 0 - 1 CLK
- CAS\_PC = 1 - 2 CLK

**Bits 6:4 - CAS\_PW\_RD, CAS Pulse Width Read.**  
For CAS Pulse Width Write refer to ESF Address 1A4H.

- CAS\_PW\_RD
- |   |   |   |         |
|---|---|---|---------|
| 6 | 5 | 4 |         |
| 0 | X | X | - 1 CLK |
| 1 | 0 | 0 | - 2 CLK |
| 1 | 0 | 1 | - 3 CLK |
| 1 | 1 | 0 | - 4 CLK |
| 1 | 1 | 1 | - 5 CLK |

**Bits 3:2 - RAS\_PW, RAS Pulse Width**

- RAS\_PW
- |   |   |         |
|---|---|---------|
| 3 | 2 |         |
| 0 | 0 | - 2 CLK |
| 0 | 1 | - 3 CLK |
| 1 | 0 | - 4 CLK |
| 1 | 1 | - 5 CLK |

**Bits 1:0 - RAS\_PC, RAS Precharge**

- RAS\_PC
- |   |   |         |
|---|---|---------|
| 1 | 0 |         |
| 0 | 0 | - 2 CLK |
| 0 | 1 | - 3 CLK |
| 1 | 0 | - 4 CLK |
| 1 | 1 | - 5 CLK |





**Bank 3:**

ESF Port Address 1A3H – Read and Write

This register controls the RAS/CAS precharge time and pulse width for DRAM Bank 3.

7	6	5	4	3	2	1	0
CAS_PC	CAS_PW_RD		RAS_PW		RAS_PC		

**Signal Name**                                  **Default At RSTIN**  
 All Signals . . . . . 1

**Bit 7 - CAS\_PC, CAS Precharge**

- CAS\_PC = 0 - 1 CLK
- CAS\_PC = 1 - 2 CLK

**Bits 6:4 - CAS\_PW\_RD, CAS Pulse Width Read.**  
 For CAS Pulse Width Write refer to ESF Address 1A4H.

- CAS\_PW\_RD
- 6 5 4
  - 0 X X - 1 CLK
  - 1 0 0 - 2 CLK
  - 1 0 1 - 3 CLK
  - 1 1 0 - 4 CLK
  - 1 1 1 - 5 CLK

**Bits 3:2 - RAS\_PW, RAS Pulse Width**

- RAS\_PW
- 3 2
  - 0 0 - 2 CLK
  - 0 1 - 3 CLK
  - 1 0 - 4 CLK
  - 1 1 - 5 CLK

**Bits 1:0 - RAS\_PC, RAS Precharge**

- RAS\_PC
- 1 0
  - 0 0 - 2 CLK
  - 0 1 - 3 CLK
  - 1 0 - 4 CLK
  - 1 1 - 5 CLK

**Bank 4:**

ESF Port Address 1A5H – Read and Write

This register controls the RAS/CAS precharge time and pulse width for DRAM Bank 4.

7	6	5	4	3	2	1	0
CAS_PC	CAS_PW_RD		RAS_PW		RAS_PC		

**Signal Name**                                  **Default At RSTIN**  
 All Signals . . . . . 1

**Bit 7 - CAS\_PC, CAS Precharge**

- CAS\_PC = 0 - 1 CLK
- CAS\_PC = 1 - 2 CLK

**Bits 6:4 - CAS\_PW\_RD, CAS Pulse Width Read.**  
 For CAS Pulse Width Write refer to ESF Address 1A0H.

- CAS\_PW\_RD
- 6 5 4
  - 0 X X - 1 CLK
  - 1 0 0 - 2 CLK
  - 1 0 1 - 3 CLK
  - 1 1 0 - 4 CLK
  - 1 1 1 - 5 CLK

**Bits 3:2 - RAS\_PW, RAS Pulse Width**

- RAS\_PW
- 3 2
  - 0 0 = 2 CLK
  - 0 1 = 3 CLK
  - 1 0 = 4 CLK
  - 1 1 = 5 CLK

**Bits 1:0 - RAS\_PC, RAS Precharge**

- RAS\_PC
- 1 0
  - 0 0 = 2 CLK
  - 0 1 = 3 CLK
  - 1 0 = 4 CLK
  - 1 1 = 5 CLK

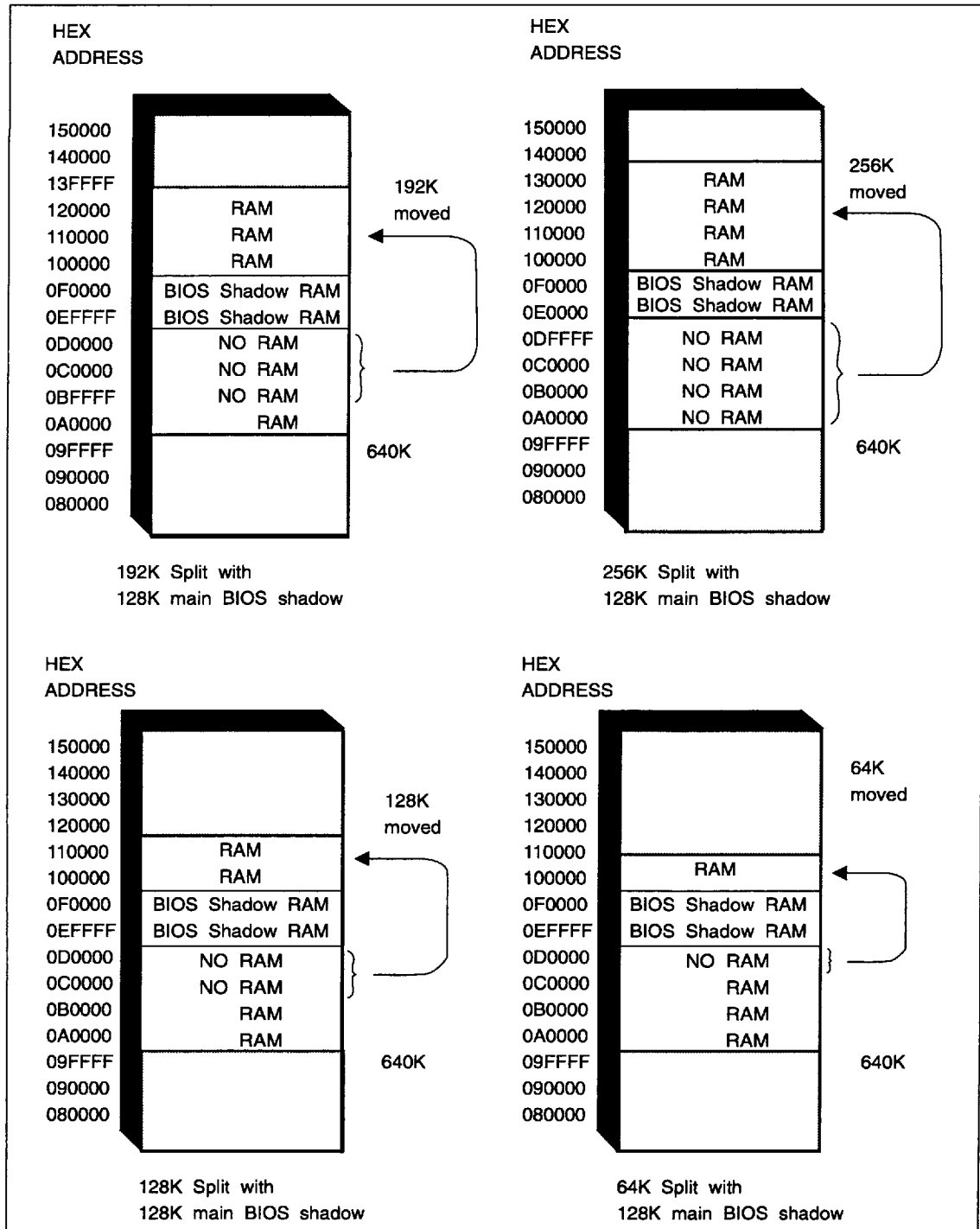


FIGURE 6-4. SPLIT SIZE



**Banks 3:0**

ESF Port Address 1A4H - Read and Write

This register controls the write cycle CAS Pulse Width for Banks 3:0.

7	6	5	4	3	2	1	0
CAS_PW_WT 3		CAS_PW_WT 2		CAS_PW_WT 1		CAS_PW_WT 0	

<b>Signal Name</b>	<b>Default At RSTIN</b>
All Signals . . . . .	1

**Bits 7:6 - CAS\_PW\_WT\_3, CAS Pulse Width Write, Bank 3**

CAS\_PW\_WT\_3  
7 6  
0 0 = 1 CLK  
0 1 = 2 CLK  
1 0 = 3 CLK  
1 1 = 3 CLK

**Bits 5:4 - CAS\_PW\_WT\_2, CAS Pulse Width Write, Bank 2**

CAS\_PW\_WT\_2  
5 4  
0 0 = 1 CLK  
0 1 = 2 CLK  
1 0 = 3 CLK  
1 1 = 3 CLK

**Bits 3:2 - CAS\_PW\_WT\_1, CAS Pulse Width Write, Bank 1**

CAS\_PW\_WT\_1  
3 2  
0 0 = 1 CLK  
0 1 = 2 CLK  
1 0 = 3 CLK  
1 1 = 3 CLK

**Bits 1:0 - CAS\_PW\_WT\_0, CAS Pulse Width Write, Bank 0**

CAS\_PW\_WT\_0  
1 0  
0 0 = 1 CLK  
0 1 = 2 CLK  
1 0 = 3 CLK  
1 1 = 3 CLK

**6.5 BACKLIGHT MOUSE AND SMI CONTROL**

Port Address 7472H - Read and Write

15	14	13	12	11	10	09	08
BL_MOU		KC_L	AMWDE	ASMIE	CSUDE	HSR PD	SMI_RENB

07	06	05	04	03	02	01	00

<b>Signal Name</b>	<b>Default At RSTIN</b>
BL_MOU . . . . .	00
KC_L, AMWDE, . . . . .	0
ASMIE, CSUDE . . . . .	0
HSR PD, SMI_RENB . . . . .	0

**Bit 15:14 - BL\_MOU, Backlight Mouse Control**

Enabling the Backlight Mouse Control increases the CPU speed for one second if Auto Clock Switching is on. The AUT\_FST bit is located at Port Address 1072H bit 11. Enabling the Backlight Mouse Control also affects the Backlight and LCD timers in the PMC Timer Register at Port Address 8072H.

BL\_MOU  
01 00  
0 0 - No mouse control  
0 1 - INT12 mouse  
1 0 - Reserved  
1 1 - Reserved

**Bit 13 - KC\_L, Keyboard Controller Location**

KC\_L = 0 -  
The Keyboard controller (I/O ports 60 and 64) is located on the RAD bus.  
  
KC\_L = 1 -  
The keyboard controller is located on the expansion bus.

**Bit 12 - AMWDE, AutoFast Memory Write Detection Enable**

When AutoFast Memory Write Detection is enabled, memory writes to address range 020000-0FFFFFF (128K to 1M) are detected as a source of activity and causes a 1 ms speedup. However, the activity will not be



detected during SMI handler execution on an Intel processor.

AMWDE = 0 -  
AutoFast Memory Write Detection not enabled.

AMWDE = 1 -  
AutoFast Memory Write Detection is enabled.

**Bit 11 - ASMIE, AutoFast SMI Enable**

Setting ASMIE to 1 enables an SMI to be generated when autofast logic determines it is necessary to assert the STP\_REQ output. It also enables automatic clearing of the ASRE bit at Port Address 1072H when autofast logic determines that the STP\_REQ output is to be de-asserted.

Note that when ASMIE is set, SMIFST at Port Address 8C72H must be cleared or each SMI to set STP\_REQ will cause an immediate autofast speedup, effectively cancelling autofast.

The WD8110/LV must be in the Stop Grant AutoFast mode (SGAE = 1 at Port Address 1072H) or ASMIE will be ignored.

ASMIE = 0 -  
AutoFast SMI disabled.

ASMIE = 1 -  
AutoFast SMI enabled.

**Bit 10 - CSUDE, Clock Start-Up Delay Enable**

CSUDE is used in conjunction with the SCH and SCHH bits in the register at Port Address 1072H. When CSUDE equals one, a 1 to 2 ms time delay is enforced between the time the CPU clock is restarted and the time STP\_REQ is de-asserted. This delay is necessary for clock stop support of Intel 1X clock processors that require 1 ms for the CPU's PLL to stabilize.

CSUDE = 0 -  
Clock Start-Up Delay is not enabled.

CSUDE = 1 -  
Clock Start-Up Delay is enabled.

**Bit 09 - HSRPD, Holdoff SMI When Reset Pending Disable**

When HSRPD is set to 0, all SMI sources except I/O traps, are held off whenever a reset-pending condition is detected. The sources remain active internally but do not cause the SMI output to be asserted until the reset-pending condition is cleared.

When HSRPD is set to a 1, the reset pending condition does not gate off the assertion of SMI. Reset pending is defined as: (1) Port 92H reset pending, (2) KB controller Ports 60H or 64H have been written within the last 14  $\mu$ s or (3) the CPU is in a halt state.

HSRPD = 0 -  
SMI is held off when reset is pending

HSRPD = 1 -  
SMI is not held off

**Bit 08 - SMI\_R ENB, SMI RAM Enable**

Setting SMI\_R ENB enables the SMI RAM remapping and protection. The system BIOS should load the SMI service routine into the SMI RAM before setting this bit.

SMI\_R ENB = 0 -  
SMI RAM disable

SMI\_R ENB = 1 -  
SMI RAM enable

**Bits 07:00 - Reserved**



### 7.0 PORT CHIP SELECT AND REFRESH

This section describes refresh control logic used by the power down feature. This section also describes the registers used to control the following functions:

- Port chip select and control
- High speed hard disk access
- AT hard disk IDE mode
- Real-Time Clock bus location
- Access to the CMOS RAM password

Table 7-1 identifies the ports, their Chip Select number, I/O address and function.

#### 7.1 REFRESH CONTROL, SERIAL AND PARALLEL CHIP SELECTS

Port Address 2072H – Read and Write

15	14	13	12	11	10	09	08
M_REF	V_REF	CBR_REF	CBR_SR	SCSI	PAR		PAR_L
SER_A				SER_AL	SER_B		SER_BL

Signal Name	Default At RSTIN
M_REF	0
V_REF	0
CBR_REF	0
CBR_SR	0
SCSI	0
PAR	00
PAR_L	0
SER_A	000
SER_AL	0
SER_B	000
SER_BL	0

#### Bit 15 - M\_REF, Memory Refresh Power Down Mode

The refresh period may be lengthened for extended refresh DRAM while maintaining bus compatibility. When slow refresh is selected, main on-board memory is refreshed at one eighth the normal rate. In the Full Power Down mode, selected by the FPD bit in the register at Port Address 1872H, and when M\_REF = 1, the on-board DRAM is refreshed with every eighth PDREF. PDREF is a 64 KHz input signal supplied by the WD76C20.

M\_REF = 0 - Normal refresh period for main on-board memory.

M\_REF = 1 - Slow refresh main on-board memory.

#### Bit 14 - V\_REF, Video Refresh Power Down Mode

The refresh period may be lengthened for extended refresh DRAM while maintaining bus compatibility. When slow refresh is selected, video memory is refreshed at one eighth the normal rate. In the Full Power Down mode, selected by the FPD bit in the register at Port Address 1872H, and V\_REF = 1, the video DRAM is refreshed with every eighth PDREF. PDREF is a 64 KHz input signal supplied by the WD76C20.

V\_REF = 0 - Normal refresh period for video memory.

V\_REF = 1 - Slow refresh video memory.

#### Bit 13 - CBR\_REF, CAS Before RAS Refresh For On-board DRAM

Most standard DRAMs support this type of CAS before RAS refresh, while special DRAMs do not. CBR\_REF must always be set to 1 for portable systems that support suspend/resume.

CBR\_REF = 0 - Normal refresh for on-board DRAM.

CBR\_REF = 1 - CAS before RAS refresh.



**Bit 12 - CBR\_SR, CAS Before RAS Self Refresh**

CAS before RAS self refresh is supported only by special DRAMs.

CBR\_SR = 0 -

No CAS before RAS self refresh.

CBR\_SR = 1 -

CAS before RAS self refresh of DRAM is supported during suspend and resume, when CAS is held low continuously while in suspend.

**Bit 11 - SCSI, Small Computer System Interface Chip Select**

The SCSI is selected by chip select number 12. See Table 7-3.

SCSI = 0 -

SCSI chip select disabled.

SCSI = 1 -

SCSI chip select at I/O port 353XH.

**Bits 10:09 - PAR, Parallel Port Chip Select**

The parallel port is selected by chip select number 0FH and may be located at I/O address 278H through 27FH, 378H through 37FH, or 3BCH through 3BFH. Bits 10 and 09 may disable the chip select or locate it at one of three areas. See Table 7-3.

PAR

10 09

0 0 - PAR chip select disabled.

0 1 - PAR chip select at I/O port 3BCH - 3BFH.

1 0 - PAR chip select at I/O port 378H - 37FH.

1 1 - PAR chip select at I/O port 278H - 27FH.

**Bit 08 - PAR\_L, Parallel Port Bus Location**

PAR\_L = 0 -

Parallel port is located on the RA0-7/ED0-7 bus. This is typical when the WD76C30A is used.

PAR\_L = 1 -

Parallel port is located on the expansion data bus. This is typical when the WD7615 is used.

**Bits 07:05 - SER\_A, Serial Port A Chip Select**

The Serial Port A is selected by chip select number 0EH and may be located at I/O address 2E8H through 2EFH, 2F8H through 2FFH, 3E8H through 3EFH or 3F8H through 3FFH. Bits 07:05 may disable the chip select or locate it at one of the four areas. See Table 7-3.

It is possible to select the same I/O port address for Serial Port A and Serial Port B. Selecting the same address for both ports results in an unpredictable response and should not be done.

SER\_A

07 06 05

0 0 0 - Serial Port A Chip Select disabled.

0 0 1 - Serial Port A Chip Select at I/O Port 3F8H - 3FFH.

0 1 0 - Serial Port A Chip Select at I/O Port 2F8H - 2FFH.

0 1 1 - Serial Port A Chip Select at I/O Port 3E8H - 3EFH.

1 0 0 - Serial Port A Chip Select at I/O Port 2E8H - 2EFH.

**Bit 04 - SER\_AL, Serial Port A Bus Location**

SER\_AL = 0 -

Serial Port A is located on the RA0-7/ED0-7 bus. This is typical when the WD76C30A is used.

SER\_AL = 1 -

Serial Port A is located on the expansion data bus.

**Bits 03:01 - SER\_B Serial Port B Chip Select**

The Serial Port B is selected by chip select number 10 and may be located at I/O address 2E8H through 2EFH, 2F8H through 2FFH, 3E8H through 3EFH or 3F8H through 3FFH. Bits 03:01 may disable the chip select or locate it at one of the four areas. See Table 7-3.

It is possible to select the same I/O port address for Serial Port B and Serial Port A. Selecting the same address for both ports results in an unpredictable response and should not be done.



- SER\_B  
03 02 01
- 0 0 0 - Serial Port B Chip Select disabled.
  - 0 0 1 - Serial Port B Chip Select at I/O Port 3F8H - 3FFH.
  - 0 1 0 - Serial Port B Chip Select at I/O Port 2F8H - 2FFH.
  - 0 1 1 - Serial Port B Chip Select at I/O Port 3E8H - 3EFH.
  - 1 0 0 - Serial Port B Chip Select at I/O Port 2E8H - 2EFH.

**Bit 00 - SER\_BL, Serial Port B Bus Location**

- SER\_BL = 0 -  
Serial Port B is located on the RA(0:7)/ED(0:7) bus. This is typical when the WD76C30A is used.
- SER\_BL = 1 -  
Serial Port B is located on the expansion data bus.

**7.2 RTC, PVGA AND DISK CHIP SELECTS**

Port Address 2872H - Read and Write

Bits 12:07 and Port Address 3072H control the use and location of the Programmable Chip Select #1.

15	14	13	12	11	10	09	08
RTC_L	FST_VGA	FST_SCSI	EN_PCS1	U_MSK1	L_MSK1		

07	06	05	04	03	02	01	00
PRG_L	HS_HD	EN_16	P/S		LK_PSW	DS_HD	DS_FLP

Signal Name	Default At RSTIN
RTC_L	0
FST_VGA	0
FST_SCSI	0
EN_PCS	0
U_MSK1	00
L_MSK1	00
PRG_L	0
HS_HD	000
P/S	000
LK_PSW	0

- DS\_HD . . . . . 0
- DS\_FLP . . . . . 0

**Bit 15 - RTC\_L, Real-Time Clock**

The Real-Time Clock is normally on the RA0-7/ED0-7 bus but may be placed on the expansion data bus.

RTC\_L = 0 -  
Real-Time Clock is on the RA(0:7)/ED(0:7) bus.

RTC\_L = 1 -  
Real-Time Clock is on the expansion data bus. This is the required setting when the WD76C20 is used.

**Bit 14 - FST\_VGA, Fast VGA Video**

The performance of Western Digital PVGA display controllers may be enhanced by reducing wait states for access to video I/O. This feature should only be used with Western Digital PVGA1A, WD90C90, WD90C30, WD90C20, WD90C11 and WD90C10 devices. I/O cycles to eight-bit ports 3C0H - 1H, 3C4H - 5H and 3CEH - FH are made with one wait state cycles.

FST\_VGA = 0 -  
Normal PVGA control.

FST\_VGA = 1 -  
One wait state I/O cycle to PVGA.

**Bit 13 - FST\_SCSI, Fast SCSI**

The performance of the WD33C93 SCSI Controller is enhanced by performing eight-bit accesses with one wait state rather than four wait states.

FST\_SCSI = 0 -  
Four Wait States.

FST\_SCSI = 1 -  
One Wait State.

**Bit 12 - EN\_PCS1, Enable Programmable Chip Select 1**

The Programmable Chip Select logic is selected with Chip Select 11 and may be disabled or enabled. See Table 7-3.

EN\_PCS = 0 -  
Disable Programmable Chip Select.

EN\_PCS = 1 -  
Enable Programmable Chip Select.



**Bit 11 - U\_MSK1, Upper Address Bits Masked**

U\_MSK1 determines whether or not the upper address bits A(15:10) are to be used as designated in the Programmable Chip Select Address Register at Port Address 3072H.

U\_MSK1 = 0 -  
A(15:10) are ignored.

U\_MSK1 = 1 -  
A(15:10) are included in the address.

**Bits 10:08 - L\_MSK1, Lower Address Bits Masked**

L\_MSK1 determines whether the lower four address bits A(03:00) are to be used as designated in the Programmable Chip Select Address Register at Port Address 3072H.

L\_MSK1  
10 09 08  
0 0 0 - A09 through A00 are included in the address.  
0 0 1 - A00 is ignored.  
0 1 0 - A00, A01 are ignored.  
0 1 1 - A00, A01, A02 are ignored.  
1 0 0 - A00, A01, A02, A03 are ignored

**Bit 07 - PRG\_L, Programmable Chip Select Bus Location**

PRG\_L = 0 -  
Programmable Chip Select is on the RA(0:7)/ED(0:7) bus.

PRG\_L = 1 -  
Programmable Chip Select is on the expansion bus.

**Bit 06 - HS\_HD, High Speed Hard Disk Data Transfer Rate**

Enabling the high speed data transfers results in hard disk, 16-bit data transfers to be performed at a compressed timing rate rather than at the compatible bus rate. When operating in the high speed mode, the first data transfer is made at the compatible bus rate. Subsequent accesses to the hard disk port are made at high speed, with  $\overline{\text{IOCS16}}$  ignored and the WD76C20 hard disk chip select remaining stable.

**NOTE**

This feature requires the use of the WD76C20 and should only be used with Western Digital IDE drives.

HS\_HD = 0 -  
Compatible bus timing enabled.

HS\_HD = 1 -  
High speed hard disk accesses enabled.

**Bit 05 - EN\_16, Enable 16-bit I/O Decoding**

The WD8110/LV supports both the 100% IBM-AT compatible I/O decoding (10-bit mode) and the newer IBM PS/2 compatible I/O decoding (16-bit mode). The mode is selected by EN\_16.

EN\_16 = 0 -  
AT Compatible 10-bit decode. Address bits A15:10 are ignored. See Table 7-1.

EN\_16 = 1 -  
Enhanced 16-bit decode. See Table 7-2.

**Bit 04 - P/S, Primary Or Secondary Disk**

The P/S bit is only used to select the floppy disk chip select address in the IDE mode. See Table 7-3, Chip Select numbers 08H:0BH.

P/S = 0 -  
Primary hard disk and Floppy address selected.

P/S = 1 -  
Secondary hard disk and Floppy address selected.

**Bit 03 - Reserved**



**Bit 02 - LK\_PSW, Prevent Locking Password**

Port Address 092H bit 3 (Lock\_Pass) is used to prevent access to the CMOS RAM password area located at 38H through 3FH. Setting LK\_PSW before attempting to set Lock\_Pass, inhibits the setting of Lock\_Pass. In this instance, it is possible to access the CMOS RAM password area. If Lock\_Pass is set before LK\_PSW, LK\_PSW will have no effect.

LK\_PSW = 0 -  
Port Address 092H bit 3, Lock\_Pass can be set.

LK\_PSW = 1 -  
Port Address 092H bit 3, Lock\_Pass can not be set.

**Bit 01 - DS\_HD, Hard Disk Chip Select 0CH, 0DH**

DS\_HD = 0 -  
Hard disk chip select is enabled.

DS\_HD = 1 -  
Hard disk chip select is not generated.

**Bit 00 - DS\_FLP, Floppy Disk Chip Select 08H, 09H, 0AH, 0BH**

DS\_FLP = 0 -  
Floppy disk chip select is enabled.

DS\_FLP = 1 -  
Floppy disk chip select is not generated.

ADDRESS *	DEVICE
000:01F	DMA Controller 1 (Ch 0:3)
020:03F	Interrupt Controller Master
040:05F	Timer
060:06E (even)	Keyboard Port
061:06F (odd)	Port B - Parity Error And I/O Channel Check
070 bit 7	NMI Mask
070	RTC Address
071	RTC Data
080:08F, 090:091 093:09F	DMA Page
092	ALT 20 GATE, Hot Reset Port 92
0A0:0BF	Interrupt Controller Slave
0C0:0DF	DMA Controller 2 (Ch 5:7)
0F0:0F1	Numeric Processor Clear And Reset
1F0:1F7	Hard Disk Chip Select (primary)
170:177	Hard Disk Chip Select (secondary)
278:27F	Parallel Port 3
2E8:2EF	Serial Port 4
2F8:2FF	Serial Port 2
378:37F	Parallel Port 2
3BC:3BF	Parallel Port 1
3E8:3EF	Serial Port 3
3F0:3F7	Floppy and Hard Disk (primary)
370:377	Floppy and Hard Disk (secondary)
3F8:3FF	Serial Port 1

\* A15:10 are ignored.

**TABLE 7-1. AT COMPATIBLE 10-BIT MODE**



ADDRESS *	DEVICE
0000:000F	DMA Controller 1 (Ch 0:3)
0010:001F	AT Bus
0020:0021	Interrupt Controller Master
0022:003F	AT Bus
0040:0043	Timer
0044:005F	AT Bus
0060, 0064 0061	Keyboard Port Port B - Parity Error And I/O Channel Check
0062, 0063 0065:006F	AT Bus
0070 Bit 7 0070	NMI Mask RTC Address
0071	RTC Data
0072:007F	AT Bus
0080:008F	DMA Page
0090:0091	AT Bus
0092	ALT 20 GATE, Hot Reset Port 92
0093:009F	AT Bus
00A0:00A1	Interrupt Controller Slave
00A2:00BF	AT Bus
00C0:00DE (even)	DMA Controller 2 (Ch 5:7)
00C1:00DF (odd)	AT Bus
00E0:00EF	AT Bus
00F0:00F1	Numeric Processor Clear And Reset
00F2:00FF	AT Bus
01F0:01F7	Hard Disk Chip Select (primary)
0170:0177	Hard Disk Chip Select (secondary)
0278:027F	Parallel Port 3
02E8:02EF	Serial Port 4
02F8:02FF	Serial Port 2
0378:037F	Parallel Port 2
03BC:03BF	Parallel Port 1
03E8:03EF	Serial Port 3
03F0:03F7	Floppy and Hard Disk (primary)
0370:0377	Floppy and Hard Disk (secondary)
03F8:03FF	Serial Port 1

\* A15:10 equal 0

TABLE 7-2. ENHANCED 16-BIT MODE

7.3 PROGRAMMABLE CHIP SELECT #1 ADDRESS

Port Address 3072H - Read and Write

15	14	13	12	11	10	09	08
A15	A14	A13	A12	A11	A10	A09	A08

07	06	05	04	03	02	01	00
A07	A06	A05	A04	A03	A02	A01	A00

Signal Name	Default At RSTIN
All signals . . . . .	None



**7.4 I/O PORT ADDRESSES AND CHIP SELECT ASSIGNMENTS**

Table 7-1 lists the I/O addresses and chip selects generated for each fixed port type. Address bits A(15:10) are ignored for the I/O addresses listed with three digits. The ports are listed in the sequence of the chip select value.

An I/O to the addresses listed in Table 7-3 automatically causes the System Controller to output CSEN along with the corresponding encoded chip select value on CS4:0 (RA3B, RA3A, RA11:9). This is decoded by either the WD76C20/ALV or discrete logic, which in turn asserts individual chip select signals to the various peripherals. Some of these chip selects can be individually enabled or disabled by way of the registers at Ports 2072H, 2872H and 5C72H.

PORT	I/O ADDRESS 10-BIT MODE (HEX)	I/O ADDRESS 16-BIT MODE (HEX)	CHIP SELECT NUMBER (HEX)	FUNCTION
ROM Chip Select	N/A	N/A	00	Chip select for BIOS ROM
Keyboard Control	060:06E even	0060, 0064	01	Chip select for 8042
Power Control	7072	7072	03	PMC Write Strobe 0
Reserved			04	Reserved
Real-time Clock	070	0070	05	RTC ALE
Real-time Clock	071	0071	06	RTC Write Strobe
Real-time Clock	071	0071	07	RTC Read Strobe
Floppy Operation Chip Select	3F2 372	03F2 0372	08	Primary address Secondary address
Floppy Chip Select	3F4, 3F5 374, 375	03F4, 03F5 0374, 0375	09	Primary address Secondary address
Floppy Control Chip Select	3F7 377	03F7 0377	0A	Primary address Secondary address (Floppy enabled, HD disabled)
Floppy and HD Control Chip Select	3F7 377	03F7 0377	0B	Primary address Secondary address (Floppy enabled, HD enabled)
Hard Disk Chip Select	1F0:1F7 170:177	01F0:01F7 0170:0177	0C	Primary address Secondary address
Hard Disk Chip Select	3F6 3F7 ① 376 377 ①	03F6 03F7 ① 0376 0377 ①	0D	Primary Address Secondary address
Serial Port A Chip Select	2E8:2EF 2F8:2FF 3E8:3EF 3F8:3FF	02E8:02EF 02F8:02FF 03E8:03EF 03F8:03FF	0E ②	
Parallel Port 0 Chip Select	278:27F 378:37F 3BC:3BF	0278:027F 0378:037F 03BC:03BF	0F	

**TABLE 7-3. I/O PORT ADDRESSES AND CHIP SELECT ASSIGNMENTS**



PORT	I/O ADDRESS 10-BIT MODE (HEX)	I/O ADDRESS 16-BIT MODE (HEX)	CHIP SELECT NUMBER (HEX)	FUNCTION
Serial Port B Chip Select	2E8:2EF 2F8:2FF 3E8:3EF 3F8:3FF	02E8:02EF 02F8:02FF 03E8:03EF 03F8:03FF	10 ②	
Program Chip Select 1	PROG 1	PROG 1	11	
SCSI	3530:353X	3530:353X	12	
Cache Flush	F872	F872	13	
Reserved			14	Reserved
	F072	F072	15	48 MHz Clock Disabled
	F472	F472	16	48 MHz Clock Enabled
Power Control	7872	7872	17	PMC Write Strobe 1
Floppy Chip Select	3F0:3F1 370:371	03F0:03F1 0370:0371	18	Primary address Secondary address
Floppy Chip Select	3F3 373	03F3 0373	19	Primary address Secondary address
Program Chip Select 2	PROG 2	PROG 2	1A	
Program Chip Select 3	PROG 3	PROG 3	1B	
Reserved			1E	Reserved
Reserved			1F	Reserved

① IDE Hard disk enabled, floppy disabled

② The Chip Select Number is the decoded value of CS(4:0). If the Programmed Chip Select corresponds to any other decode, the Programmed Chip Select is suppressed. If Serial Port A and B are programmed for the same address, Serial Port B Chip Select is suppressed.

TABLE 7-3. I/O PORT ADDRESSES AND CHIP SELECT ASSIGNMENTS (Continued)



## 8.0 POWER MANAGEMENT CONTROL

The WD8110/LV supports all PMC inputs, output and interrupt functions.

### 8.1 SYSTEM ACTIVITY MONITOR (SAM)

The System Activity Monitor (SAM) found in the WD8110/LV is a hardware solution to monitoring system activity. SAM was conceived to solve the problems associated with system activity detection in various operating environments such as DOS, Windows, OS/2, VCPI and Microsoft APM.

With previous System Controllers, such as the WD76C10, a software approach was employed to determine system activity. This software approach was accomplished using a watchdog timer. As a part of the watchdog timer service, the sources of activity are checked and a determination is then made on the state of system activity. This approach does not consider the state of the system activity between watchdog timer interrupts. However, with SAM, the system activity state is continuously monitored through hardware, thus providing a more universal approach to activity detection.

With the help of SAM it is now possible to:

- Provide a trigger when a pre-programmed period of system inactivity time elapses.
- Enable/disable the sources that constitute system activity.
- Select either coarse or fine timeout values for system inactivity period.

#### System Activity

System activity denotes periods of time in which the system performs useful tasks. The sources of System Activity are:

- Unmasked pending interrupts.
- Unmasked interrupts in service.
- Access to hard disk data port.
- I/O Access to programmable chip select port.
- DMA transfers.
- Coprocessor cycles.
- A programmable PCU input.
- NMI.

SAM allows for excluding the following interrupt sources from contributing to system activity:

- IRQ0, used by DOS to keep track of the system time.
- IRQ7, used for spurious interrupts and parallel port interrupts.
- IRQ8, used by Windows, OS/2 and other multitasking environments to keep the scheduler running.
- A programmable interrupt level used as a power management interrupt.

SAM also takes into account programs such as MOUSE.COM which, in an attempt to locate a mouse on a communication port, generates interrupts on interrupt levels 3 and 4, and leaves them pending. To overcome this problem, SAM allows only the unmasked pending interrupts on 3 and 4 to constitute system activity.

#### Using SAM for System Power Management:

##### a) System Timeout Capability

SAM can be programmed to determine coarse periods of inactivity, with the minimum period as one minute, four seconds, up to a maximum period of 16 minutes. It is also possible to extend the maximum limit to any value by reading the Activity Before bit (ACTBEF) in the Activity Monitor Control Register at Port Address B072H.

On reaching the programmed period SAM generates a Local Attention signal. Typically, the Local Attention is tied to a power management interrupt. In response to Local Attention, the power management interrupt handler makes it possible to prepare the system for a Suspend operation. Local Attention may also be programmed to generate an SMI.

##### b) Responding to a Suspend Request

SAM can be programmed to determine a clean breakpoint for suspending the system upon receiving the Suspend request. At the time the Suspend request is received, it is possible that the system is busy performing an indivisible operation and it is necessary to wait for the system to finish this indivisible operation before initiating suspend. In order to do this, control to the CPU must be relin-



quished for just enough time for the CPU to complete the operation. This is referred as Suspend arbitration.

In addition to performing Suspend arbitration, SAM is also responsible for determining the earliest opportunity to initiate the Suspend sequence. For instance, if a Suspend request is caused by a low battery condition, it is imperative that the system be placed in the suspend state as soon as possible. Here, the fine granularity of SAM may be used to determine brief periods of inactivity from as low as 7.8 milliseconds to as high as 117.2 milliseconds and establish a clean breakpoint for suspending the system.

#### Advantages of SAM:

1. SAM is a reliable and consistent approach to detecting system activity.
2. SAM is hardware based making it truly non-obtrusive.
3. SAM is independent of the operating environment and the execution mode of the processor.
4. SAM can perform in two modes:
  - Detection of system activity for extended periods of time for the purposes of system timeout.
  - Detection of brief periods of inactivity for initiating Suspend.
5. Programmability allows for the control of sources of system activity and setting up coarse and fine timeout values.
6. SAM generates a signal called Local Attention (LCL\_ATN, PMC #4) on reaching programmed periods of timeout. This signal is generally tied to an unused IRQ level to invoke the Power Management program. Optionally, SAM can generate a System Management Interrupt (SMI on pin 102) in addition to LCL\_ATN.
7. SAM also carries information on DMA activity state. This is used to determine whether it is appropriate to place the processor in the Sleep Mode.

8. SAM makes it possible to read the state of the interrupt controllers and, if needed, reprogram them on Resume. This is provided to handle the spurious interrupts that are generated by devices at power-up time on Resume.

#### NOTE

SAM cannot be used to determine when the processor should be placed in the Sleep Mode. This determination is intimately tied to the operating environment and is handled either by Western Digital's Power Management drivers DOS/VCPI, Windows and OS/2 or by Microsoft APM.

The System Activity Monitor is controlled by the Activity Monitor Control Register at Port Address B072H, Activity Monitor Mask Register at Port Address D872H and bit 09 of the Test Enable Register at Port Address A872H.

## 8.2 PROCESSOR POWER DOWN MODE

The Processor Power Down Mode is initiated by setting bit 13 of the register at Port Address 1872H to one. The CPURES signal is asserted, then tristated. An internal 200K pullup resistor holds the CPURES active. The Processor Power Down (PMC #5) signal from the PMC Control Register is used to control the power converter from the processor. The WD8110/LV holds CPUCLK, RDY486, HOLDR, INTRQ and NMI low to the processor.

The same conditions used to restart a stopped clock also initiate the Power Up Mode. The Power Up Mode is entered by an unmasked DRQ, unmasked IRQ interrupt or a PMC input change, resulting in an unmasked NMI to Port 9072H. A Processor Power Good signal is then input on the PMCIN pin. After 1 ms, PMC Processor Power Good signal is checked for a logic 1 state. At this time, CPURES is driven high and the CPUCLK, RDY486, HOLDR, INTRQ and NMI signals are driven to their correct states. CPURES remains asserted for 64 additional CPUCLKs.



The PMC unit is composed of either two 74HCT273 chips and one 74HCT151 chip, or a Western Digital WD7625 Buffer Manager. The two 74HCT273 octal latches are used for the 16 PMC outputs from data bus ED(0:7) and the 74HCT151 8:1 multiplexer is used for the PMCIN signal, while the WD7625 internal multiplexers perform both functions. The PMC output latches are cleared at power up (see Figure 5-1).

### 8.3 LOCAL ACCESS BY KEYBOARD CONTROLLER

The keyboard processor may access the WD8110/LV internal registers by way of the PMC logic. The keyboard processor starts a local access by asserting LCL\_REQ, which causes PMCIN 2 to be asserted and written in the PMC input register at Port 8872H (see Figure 5-1 and Table 8-2). The WD8110/LV arbitrates with refresh, DMA and master for a hold cycle from the processor. When the processor returns a hold acknowledge (HOLDA), the WD8110/LV asserts LCL\_ACK (PMC output 3 from Port 7072H) on the ED(0:7) data bus. The keyboard processor then passes the opcode/address byte to the WD8110/LV on the data bus and drops the LCL\_REQ. The WD8110/LV responds by deasserting LCL\_ACK.

If the opcode specified a register write, data high (D15:08) and data low (D07:00) bytes are passed to the WD8110/LV. If the opcode specified an I/O read, the data high and data low bytes are sent from the WD8110/LV to the keyboard processor.

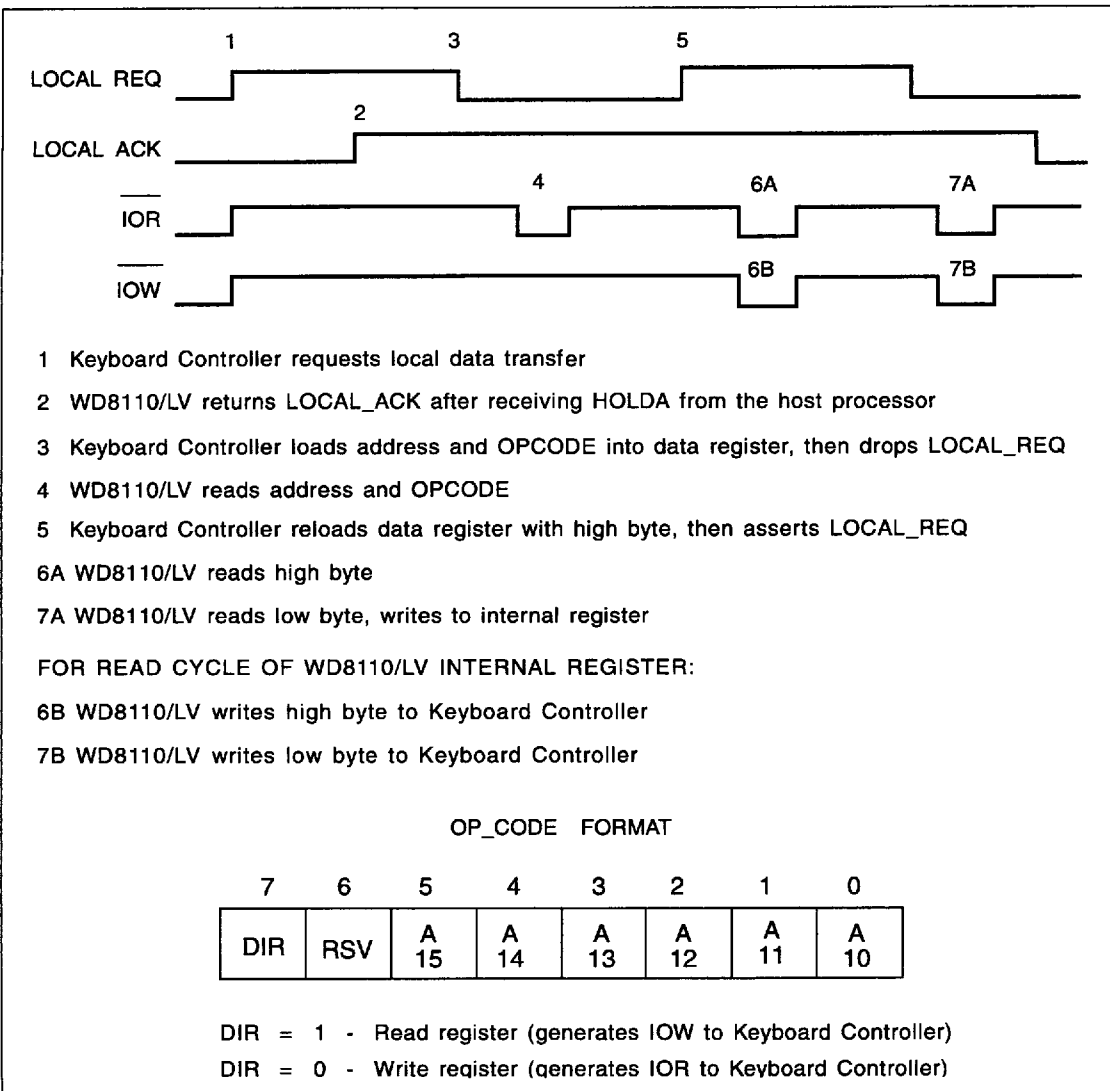
All special operation registers within the WD8110/LV may be accessed in this manner without first unlocking the register. See Section 2.8.2, Port Address F073H, for Lock/Unlock Register. This method allows the keyboard processor to control speed switching and other parameters without host processor intervention.

If a particular design uses processor-power-down on a non-static CPU and also uses this local access feature, then an additional AND gate is required. Local access during CPU power-down depends on ADDR2 coming from the CPU through the 74ACT373 bus latch. If the CPU is powered down, ADDR2 can be either high or low, depending on the last CPU address. PROC\_PWR\_GOOD should be ANDed with ADDR2 going to the 8742. This forces ADDR2 low, making local accesses possible during CPU power-down conditions. This also passes ADDR2 during normal operation.

Figure 8-1 shows the handshake procedure, followed by the keyboard controller and the WD8110/LV.

Figures 8-2 and 8-3 represents the power-down (suspend) and power-up (resume) sequence and control.





**FIGURE 8-1. REGISTER ACCESS BY KEYBOARD CONTROLLER**







**8.5 PMC TIMERS**

Port Address 8072H - Read and Write

When no Keyboard or Mouse interrupts have occurred for the time specified by BL\_TIMEOUT or LCD\_TIMEOUT, PMC Output 1 or 2 is written to the PMC OUTPUT CONTROL 7:0 register at Port Address 7072H (see Table 8-1) to disable the LCD or Backlight. The timer is reset and the Backlight and LCD control re-enabled at the refresh cycle following a Keyboard or Mouse interrupt. The Mouse Interrupts are programmed by bits 15 and 14 (BL\_MOU) in the Backlight Mouse Control Register at Port Address 7472H. The same timer is used for the Backlight and LCD timeout.

The timeout delay may be programmed in increments of five seconds, to a maximum of 1,270 seconds, or 21 minutes and 10 seconds.

15	14	13	12	11	10	09	08
BL_TIMEOUT							

07	06	05	04	03	02	01	00
LCD_TIMEOUT							

Signal Name	Default At RSTIN
BL_TIMEOUT .....	0
LCD_TIMEOUT .....	0

**Bits 15:08 - BL\_TIMEOUT, Backlight Time Out**

- 00H - Backlight always disabled
- 01H - Enabled for 5 seconds
- 02H - Enabled for 10 seconds



- FEH - Enabled for 254 x 5 seconds
- FFH - Backlight enabled

**Bits 07:00 - LCD\_TIMEOUT, LCD Time Out**

- 00H - LCD always disabled
- 01H - Enabled for 5 seconds
- 02H - Enabled for 10 seconds



- FEH - Enabled for 254 x 5 seconds
- FFH - LCD enabled



**8.6 PMC INPUTS**

Port Address 8872H - Bits 15:08 Read and Write  
 Bits 07:00 Read only

<b>15</b>	<b>14</b>	<b>13</b>	<b>12</b>	<b>11</b>	<b>10</b>	<b>09</b>	<b>08</b>
PMC_UPD	EN_LCL	AF 7	AF 6	AF 5	AF 4	AF 3	AF 2

<b>07</b>	<b>06</b>	<b>05</b>	<b>04</b>	<b>03</b>	<b>02</b>	<b>01</b>	<b>00</b>
IN 7	IN 6	IN 5	IN 4	IN 3	IN 2	IN 1	IN 0

Signal Name	Default At RSTIN
PMC_UPD	0
EN_LCL	0
AF7:AF2	0
IN7:IN0	None

**Bit 15 - PMC\_UPD, Enable PMC Update**

PMC\_UPD = 0 -  
 No update cycles occur.

PMC\_UPD = 1 -  
 A change of state of the PMC outputs 15 through 0 (Port Address 7072H and 7872H) or the internal A20 GATE causes an update cycle of the PMC 15:0 output latch.

**Bit 14 - EN\_LCL, Enable Local Request**

EN\_LCL either enables the PMCIN 2 to be defined by the user or to initiate a local access of the WD8110/LV internal registers from the keyboard controller.

EN\_LCL = 0 -  
 PMCIN 2 is user defined.

EN\_LCL = 1 -  
 PMCIN 2 is LOCAL\_REQ.

**Bits 13:08 - AF7:AF2, Local Attention Flags**

Local attention flags AF7 through AF2 are set to indicate which PMC input(s) have caused LCL\_ATN in PMC Interrupt Enable Register at Port Address C872H to be asserted. To clear the flag and corresponding IN bit in the PMC Inputs Register, it is necessary to clear the corresponding EA bit in PMC Interrupt Enable Register. If both an EA bit and EI bit in the PMC Interrupt Enable Register are set, both must be reset to clear the corresponding IN status and AF flag.

AF7 - AF2 = 0 -  
 This PMC input did not cause LCL\_ATN to be asserted.

AF7 - AF2 = 1 -  
 This PMC input caused LCL\_ATN to be asserted.

**Bits 07:00 - IN7:IN0, PMC Inputs 7:0**

The Activity Monitor Mask Register at Port Address D872H may be used to select one of the PMC inputs IN7 through IN2 as a source of activity for power management purposes.

IN7:0 are status flags which provide information about the corresponding PMC input IN7 through IN0. IN1 and IN0 represent the current state of the input, while IN7 through IN2 represent either the current state or a latched transition. An IN7 through IN2 status is unlatched when both the corresponding EI and EA bits in the PMC Interrupt Enable Register at Port Address C872H are reset. It becomes a latched status when either the corresponding EI or EA bit is set. See Table 8-2.



**8.7 PMC INTERRUPT ENABLE**

Port Address C872H - Read and Write

15	14	13	12	11	10	09	08
Non-maskable Interrupt Enable							
E17	E16	E15	E14	E13	E12		

07	06	05	04	03	02	01	00
Local Attention Enable							
EA7	EA6	EA5	EA4	EA3	EA2		

Signal Name	Default At RSTIN
E17-E12	0
EA7-EA2	0

**Bits 15:10 - E17:E12, Non-maskable Interrupt Enable 7 through 2**

E17:E12 enable the generation of an NMI when the corresponding PMC inputs IN\_7:IN\_2 at Port Address 8872H change state. For example, when E17 is a 1 and IN\_7 changes from a 0 to 1 an NMI will be generated.

E17:E12 = 0 - Non-maskable Interrupt not enabled

E17:E12 = 1 - Non-maskable Interrupt is enabled

**Bits 09:08** - Not used, state is ignored

**Bits 07:02 - EA7:EA2, Local Attention Enable**

EA7 through EA2 enable the assertion of LCL\_ATN by the corresponding IN\_7 through IN\_2. LCL\_ATN is PMC output number 4.

EA7-EA2 = 0 - LCL\_ATN is not enabled

EA7-EA2 = 1 - LCL\_ATN is enabled. If LAEN at Port Address 7C72H is set, SMI will occur. Refer to Section 9.2.

**Bits 01:00** - Not used, state is ignored

PMC INPUT NUMBER ①	PMC INPUT NAME	INTERRUPT ON	SETS FLAG NUMBER ②
00H	TURBO		
01H	PROC_PWR_GOOD		
02H	LCL_REQ or User Defined	Transition	IF2 or AF2
03H	User Defined	Transition	IF3 or AF3
04H	User Defined	Transition	IF4 or AF4
05H	User Defined	Transition	IF5 or AF5
06H	User Defined	Transition	IF6 or AF6
07H	User Defined	Active Edge	IF7 or AF7

① Port Address 8872H, Section 8.6  
 ② Port Address 9072H, Section 8.8  
 Port Address 8872H, Section 8.6

**TABLE 8-2. PMCIN INPUTS**

**8.8 NMI STATUS**

Port Address 9072H - Read and Write

15	14	13	12	11	10	09	08
0	0	0	0	0	0	0	0

07	06	05	04	03	02	01	00
Non-maskable Interrupt Flags IF7 IF6 IF5 IF4 IF3 IF2						0	0

Signal Name	Default At RSTIN
IF7:IF2	0

**Bits 15:08** - Not used, must be 0

**Bits 07:02 - IF7:IF2**, Non-maskable Interrupt Flags 7 through 2

NMI interrupt flags IF7:IF2 are set to indicate which PMC input(s), if any, have caused NMI to be asserted. To reset the flag and corresponding IN status bit in the PMC Input Register at Port Address 8872H, it is necessary to reset the corresponding bit in the PMC Interrupt Enable Register at Port Address C872H. If both an EA bit and EI bit in the PMC Interrupt Enable Register are set, both must be reset to clear the corresponding IN status and IF flag.

**Bits 01:00** - Not used, must be 0

**8.9 SERIAL/PARALLEL SHADOW REGISTER**

Port Address D072H - Read only

The Shadow Register is particularly useful in laptop applications by allowing the suspend/resume software to restore correct status to on-board serial and parallel devices.

15	14	13	12	11	10	09	08
Serial Port A SP_A				Serial Port B SP_B		Parallel Port 2 PP_2	

07	06	05	04	03	02	01	00
Parallel Port 0 PP_0							

Signal Name	Default At RSTIN
All signals	None

**Bits 15:14 - SP\_A**, Serial Port A Register 2

This field represents bits 7 and 6 of Serial Port A Register 2.

**Bits 13:12 - SP\_B**, Serial Port B Register 2

This field represents bits 7 and 6 of Serial Port B Register 2.

**Bits 11:08 - PP\_2**, Parallel Port Register 2

This field represents bits 3:0 of Parallel Port Register 2.

**Bits 07:00 - PP\_0**, Parallel Port Register 0

This field represents bits 7:0 of Parallel Port Register 0.



**8.10 INTERRUPT CONTROLLER SHADOW REGISTER**

Port Address D472H - Read only

When performing a resume operation, it may be advantageous to reset and reinitialize the interrupt controllers in the System Controller. Since many of the interrupt control registers are write only, it is impossible to determine the state of the interrupt controllers at suspend time. This register makes it possible to determine the state of selected signals internal to the master and slave interrupt controllers. With this information, when the interrupt control registers are reinitialized during resume, they can be returned to the state in which they were before suspend.

ICW2, ICW4, OCW2 and OCW3 referred to in this text is further defined in Sections 5.5.2.2, 5.5.2.4, 5.5.3.2 and 5.5.3.3.

15	14	13	12	11	10	09	08
AMT OUT	DEV		TM7	TS7	SF NM	AUT_ EOI	RA_ EOI

07	06	05	04	03	02	01	00
Priority Level Master PLM2 PLM1 PLM0			Priority Level Slave PLS2 PLS1 PLS0			SMM M	SMM S

Signal Name	Default At RSTIN
DEV	10
All other signals	None

**Bit 15 - AMTOUT, Activity Monitor Timeout**

AMTOUT represents the current state of the timeout comparator in the activity monitor. It is for test purposes only

**Bits 14:13 - DEV, Device**

DEV = 10 and identifies the device as WD8110.

This field is reserved for future device identifiers of the WD8110 family parts.

**Bit 12 - TM7, Master Interrupt Vector Bit 7**

TM7 represents bit 7 of the Interrupt Vector in the Master Interrupt Controller as set by ICW2. Bits 6:3 of the Interrupt Vector may be read from D6:3 by a Poll Command to the Master Interrupt Controller. The Poll Command is implemented by P\_C = 1 (bit 2 of OCW3).

**Bit 11 - TS7, Slave Interrupt Vector Bit 7**

TS7 represents bit 7 of the Interrupt Vector in the Slave Interrupt Controller as set by ICW2. Bits 6:3 of the Interrupt Vector may be read from D6:3 by a Poll Command to the Slave Interrupt Controller. The Poll Command is implemented by P\_C = 1 (bit 2 of OCW3).

**Bit 10 - SFNM, Special Fully Nested Mode**

SFNM represents the state of ICW4 - bit 4 in the Master Interrupt Controller. The WD8110/LV does not require SFNM for the slave interrupt controller and ignores its state.

**Bit 09 - AUT\_EOI, Auto End Of Interrupt**

AUT\_EOI represents the state of ICW4 - bit 1 in the Master Interrupt Controller. The WD8110/LV does not require AUT\_EOI for the slave interrupt controller and ignores its state.

**Bit 08 - RA\_EOI, Rotate Auto End Of Interrupt**

RA\_EOI indicates whether or not Rotate On Automatic End Of Interrupt has been selected in the Master Interrupt Controller by EOI\_CONT (bits 7:5 of OCW2). The WD8110/LV does not require Rotate On End Of Interrupt for the slave interrupt controller and ignores its state.

RA\_EOI = 0 -

Rotate On Auto End Of Interrupt has not been selected.

RA\_EOI = 1 -

Rotate On Auto End Of Interrupt has been selected.

**Bits 07:05 - PLM2:PLM0, Priority Level Master**

PLM2:PLM0 represent the bottom priority level programmed into the Master Interrupt Controller by INT\_LEV (OCW2 bits 2:0).



**Bits 04:02 - PLS2:PLS0, Priority Level Slave**

PLS2:PLS0 represent the bottom priority level programmed into the Slave Interrupt Controller by INT\_LEV (OCW2 bits 2:0).

**Bit 01 - SMMM, Special Mask Mode Master**

SMMM indicates whether Special Mask Mode has been set in the Master Interrupt Controller by a write to SMM in OCW3.

SMMM = 0 -  
Special Mask Mode is not enabled.

SMMM = 1 -  
Special Mask Mode is enabled.

**Bit 00 - SMMS, Special Mask Mode Slave**

SMMS indicates whether Special Mask Mode has been set in the Slave Interrupt Controller by a write to SMM in OCW3.

SMMS = 0 -  
Special Mask Mode is not enabled.

SMMS = 1 -  
Special Mask Mode is enabled.

**8.11 PORT 70H SHADOW REGISTER**

Port Address E472H - Bits 15:12, 10:00 Read only  
Bit 11 Read and Write

This register provides information on the status of interrupts and DMA which is useful for determining when the processor may be placed in the sleep mode. Two bits are also provided for generating software delays without incurring the operating system traps that would result from accessing I/O Port Address 0061H in virtual 86 mode. This register also contains a shadow of the Real Time Clock Address Register, a write only I/O port. It is necessary to access the Real Time Clock CMOS RAM during Suspend/Resume operations. This shadow of Port Address 0070H allows it to be restored to the same state it was in at suspend time.

This register can be read without first unlocking the WD8110/LV. This is important since the CLK32K, REFDET, and TODUN bits may need to be read frequently.

15	14	13	12	11	10	09	08
CLK 32K	REF_DET	INTRQ	NO_DMA	TOD UN	Reserved		

07	06	05	04	03	02	01	00
D NMI	RTC A6	RTC A5	RTC A4	RTC A3	RTC A2	RTC A1	RTC A0

Signal Name	Default At RSTIN
D_NMI	1
Reserved	0
All other signals	None

**Bit 15 - CLK32K**

CLK32K is PDREF at input pin 129 divided by two. CLK32K may be read to provide a stable timing reference, not subject to reprogramming of the refresh rate. CLK32K has a 30.5 μs period and 50% duty cycle.

**Bit 14 - REF\_DET, Refresh Detect**

REF\_DET is a copy of the REF\_DET bit available from I/O Port Address 0061H, Bit 4 described in Section 5.9.

**Bit 13 - INTRQ, Interrupt Request**

INTRQ represents the state of the INTRQ output pin 54 to the CPU.

**Bit 12 - NO\_DMA, No DMA**

NO\_DMA = 0  
A DMA or Bus Master Cycle has occurred within the last 61 μs

NO\_DMA = 1  
A DMA or Bus Master Cycle has not occurred within the last 30.5 μs

**Bit 11 - TODUN, Time of Day Update Needed**

This is a general purpose storage bit which can be written and read but has no effect on internal logic. Its purpose is to allow an SMI handler to signal the operating system that the time of day has been corrupted. This bit is checked by the Timer 0 Interrupt Handler. Note that although this bit is readable without unlocking the WD8110/LV, it cannot be written unless the WD8110/LV is unlocked.

**Bits 10:08 - Reserved**



**Bit 07 - D\_NMI**, Disable Non-Maskable Interrupt Shadow

D\_NMI represents the state of the D\_NMI bit as it was set the last time I/O Port Address 0070H described in Section 5.8.1 was written.

**Bits 06:00 - RTC\_A6:RTC\_A0**, Real Time Clock Address Shadow

RTC\_A(6:0) represents the state of the Real Time Clock Address Register as it was set the last time I/O Port Address 0070H was written.

**IRRAE = 0 -**

No IRR bits can be used as an activity source.

**IRRAE = 1 -**

IRR bits can be a source of activity. IRR8, IRR7 and IRR0 may still be masked by Port Address D872H.

**Bit 14 - CB12**, Counter Bit 12

For factory use only.

The activity monitor circuitry contains a 17-bit timeout counter for generating long timeouts. For test purposes, CB12 represents the twelfth bit of that counter.

**Bit 13 - AMTM**, Activity Monitor Test Mode

**AMTM = 0 -**

Activity Monitor functions normally.

**AMTM = 1 -**

Activity Monitor is in Test Mode. Activity Monitor State Machine is clocked faster than normal and nine stages of the 17-bit timeout counter are bypassed.

**Bit 12 - ACTLCH**, Activity Latch

This latch is always enabled regardless of other enable bit settings. Writing a 1 to ACTLCH has no effect.

**ACTLCH = 0 -**

The Activity Latch is reset by writing 0 to ACTLCH.

**ACTLCH = 1 -**

Activity by an unmasked source has occurred.

**Bit 11 - INDET**, Inactivity Detect

Writing a 1 to INDET has no effect.

**INDET = 0 -**

Writing 0 to INDET, or placing the Activity Monitor in the idle state by writing 0 to AMEN (bit 8), resets INDET, ACTAFT and ACTBEF.

**INDET = 1 -**

System is idle and the Activity Monitor has requested the local attention output be set. This occurs when there has been no unmasked activity, allowing the predetermined timeout (bits 07:00) to be reached.

**8.12 ACTIVITY MONITOR CONTROL REGISTER**

Port Address B072H - Bits 15, 13:11, 08:00 Read and Write  
Bits 14, 10, 09 Read only

For an overview of the Activity Monitor Register, see the general description of the Activity Monitor Mask Register in Section 8.13.

15	14	13	12	11	10	09	08
IRR_AE	CB12	AMTM	ACTLCH	INDET	ACTAFT	ACTBEF	AMEN

07	06	05	04	03	02	01	00
Coarse Timeout Count AMC7 AMC6 AMC5 AMC4				Fine Timeout Count AMC3 AMC2 AMC1 AMC0			

Signal Name	Default At RSTIN
IRRAE	0
CB12	None
AMTM	0
ACTLCH	None
INDET	None
ACTAFT	None
ACTBEF	None
AMEN	0
AMC7:AMC0	0

**Bit 15 - IRRAE**, Interrupt Request Register Activity Enable

IRRAE controls whether or not the IRR (Interrupt Request Register) bits from the Interrupt Controller at Port Address 020H, 0A0H may be a source of activity (refer to Section 5.5).





**NOTE**

PMCIN transitions may also cause the local attention (LCL\_ATN PMC 4) output to be set.

**Bit 10 - ACTAFT, Activity After INDET**

ACTAFT is a read only bit and its state is ignored during writes.

**ACTAFT = 0 -**

Writing 0 to INDET, or placing the Activity Monitor in the idle state by writing 0 to AMEN (bit 8), resets INDET, ACTAFT and ACTBEF.

**ACTAFT = 1 -**

Activity has occurred after INDET had been set. This would happen when activity occurs during the time it takes to reach the interrupt service routine invoked by the local attention output request.

**Bit 09 - ACTBEF, Activity Before INDET**

ACTBEF is a read only bit and its state is ignored during writes.

**ACTBEF = 0 -**

Writing 0 to INDET, or placing the Activity Monitor in the idle state by writing 0 to AMEN (bit 8), resets INDET, ACTAFT and ACTBEF.

**ACTBEF = 1 -**

Activity did occur and reset the timeout counter before INDET was set. This is important if consecutive timeout periods are being counted in a service routine to obtain a system timeout period other than that available using AMC(7:0) (bits 07:00). It would be necessary for the routine to clear the software counter if ACTBEF were set since there would have been no activity only for the period of time programmed in AMC(7:0).

**Bit 08 - AMEN, Activity Monitor Enable**

This is the master enable for the Activity Monitor.

**AMEN = 0 -**

Writing 0 to AMEN places the Activity Monitor in the idle state.

**AMEN = 1 -**

Writing 1 to AMEN causes the Activity Monitor to start clocking the timeout counter. Each time an unmasked source of activity is detected the counter is cleared. If no unmasked source of activity is detected before the timeout counter reaches the value programmed by ACM(7:0), INDET and the local attention output are set. The timeout counter is then cleared and a new timeout sequence begins.

**Bits 07:04 - AMC7:AMC4, Activity Monitor Counter Coarse**

AMC(7:4) establish the timeout values from 64 seconds to 16 minutes in 64-second increments. These bits must only be written when the Activity Monitor is disabled (AMEN = 0). They may be read at any time.

AMC	7	6	5	4	
0	0	0	0	0	- 0 seconds
0	0	0	0	1	- 1 minute, 4 seconds
0	0	1	0	0	- 2 minutes, 8 seconds
0	0	1	1	0	- 3 minutes, 12 seconds
0	1	0	0	0	- 4 minutes, 16 seconds
0	1	0	1	0	- 5 minutes, 20 seconds
0	1	1	0	0	- 6 minutes, 24 seconds
0	1	1	1	0	- 7 minutes, 28 seconds
1	0	0	0	0	- 8 minutes, 32 seconds
1	0	0	1	0	- 9 minutes, 36 seconds
1	0	1	0	0	- 10 minutes, 40 seconds
1	0	1	1	0	- 11 minutes, 44 seconds
1	1	0	0	0	- 12 minutes, 48 seconds
1	1	0	1	0	- 13 minutes, 52 seconds
1	1	1	0	0	- 14 minutes, 56 seconds
1	1	1	1	0	- 16 minutes, 0 seconds



**Bits 03:00 - AMC3:AMC0, Activity Monitor Counter Fine**

AMC(3:0) establish the timeout values from 7.8 milliseconds to 117.2 milliseconds in 7.8 millisecond increments. Tolerance on time delays is -0, +3.9 milliseconds. These bits must only be written when the Activity Monitor is disabled (AMEN = 0). They may be read at any time.

AMC	3	2	1	0	
	0	0	0	0	- 0 milliseconds
	0	0	0	1	- 7.8 milliseconds
	0	0	1	0	- 15.6 milliseconds
	0	0	1	1	- 23.4 milliseconds
	0	1	0	0	- 31.3 milliseconds
	0	1	0	1	- 39.1 milliseconds
	0	1	1	0	- 46.9 milliseconds
	0	1	1	1	- 54.7 milliseconds
	1	0	0	0	- 62.5 milliseconds
	1	0	0	1	- 70.3 milliseconds
	1	0	1	0	- 78.1 milliseconds
	1	0	1	1	- 85.9 milliseconds
	1	1	0	0	- 93.8 milliseconds
	1	1	0	1	- 101.6 milliseconds
	1	1	1	0	- 109.4 milliseconds
	1	1	1	1	- 117.2 milliseconds

**NOTE**

The fine timeout delay (AMC3 through AMC0) is added to the coarse timeout delay (AMC7 through AMC4) to obtain the total timeout delay.

**8.13 ACTIVITY MONITOR MASK REGISTER**

Port Address D872H - Read and Write

The activity monitor provides a hardware solution for determining inactivity in a system. Knowing when a system is inactive is key to performing such power reduction activities as suspend. When the Activity Monitor is enabled by the Activity Monitor Control Register at Port Address B072H, the Activity Monitor clocks a counter and invokes a service routine using local attention when the counter reaches a programmed timeout value. However, while the counter is being clocked, the Activity Monitor continuously monitors for any of several events that would indicate that the system is active. If any of these events occur, the counter is reset and the timeout starts over. Thus the service routine is only invoked when the system has been inactive for a programmed period of time.

To provide a high degree of flexibility in determining what is active and what is not, many sources are routed to the Activity Monitor. These include the IRR (Interrupt Request Register) and ISR (In Service Register) bits from the Interrupt Controller, the PMC inputs, NMI output, DMA (or AT Master) cycles and I/O accesses to either the numeric coprocessor, hard disk data port or programmable chip select. All of these sources are considered activity unless masked.

The interrupt input masks are controlled in the lower byte. All ISR and IRR bits are detected as activity except those specifically masked. Note, however, that ISR2 and IRR2 are not examined since they are cascade interrupts only. Also, IRR3 and IRR4 are qualified by the Mask Register in the Interrupt Controller before being passed to the Activity Monitor. The master mask for all IRR bits is the IRRAE bit in the register at Port Address B072H.

15	14	13	12	11	10	09	08
PCS _1M	PMC ILS	PMC IS2	PMC IS1	PMC IS0	NMI M	HDD M	COP M

07	06	05	04	03	02	01	00
IMS1	IMS0	IRR8 M	IRR7 M	IRR0 M	IRS8 M	IRS7 M	IRS0 M

<b>Signal Name</b>	<b>Default At RSTIN</b>
All signals . . . . .	0

**Bit 15 - PCS\_1M, Programmable Chip Select 1 Mask**

PCS1M = 0 -  
Read or write I/O accesses to the ports defined by the programmable chip select 1 in the WD8110/LV are considered activity.

PCS1M = 1 -  
Read or write I/O accesses to the ports defined by the programmable chip select 1 in the WD8110/LV are ignored.



**Bit 14 - PMCILS**, Power Management Control Input Level Select

PMCILS determines which logic level on the selected PMC input is to be considered active. (See bits 13:11, PMCIS2:0.)

PMCILS = 0 -  
PMICIN is active low.

PMCILS = 1 -  
PMICIN is active high.

**Bits 13:11 - PMCIS(2:0)**, Power Management Control Input Select

One of the PMC inputs IN7 through IN2 at Port Address 8872H may be selected for detection as a source of activity.

**NOTE**

The EI and EA bits at Port Address C872H, corresponding to the selected IN signal, should be cleared to prevent the IN signal from being latched internally.

PMCIS 2	1	0	
0	0	0	- PMC input 2 selected
0	0	1	- PMC input 3 selected
0	1	0	- PMC input 4 selected
0	1	1	- PMC input 5 selected
1	0	0	- PMC input 6 selected
1	0	1	- PMC input 7 selected
1	1	0	- Reserved
1	1	1	- Disabled, no PMC inputs checked

**Bit 10 - NMIM**, Non-maskable Interrupt Mask

NMIM = 0 -  
The NMI output is used as a source of activity.

NMIM = 1 -  
The NMI output is ignored.

**Bit 09 - HDDM**, Hard Disk Data Port Mask

HDDM = 0 -  
If the hard disk chip select has been enabled by bit 01 at Port Address 2872H, I/O read and write operations to the 16-bit hard disk data port are allowed as a source of activity.

HDDM = 1 -  
The hard disk data port I/O is ignored.

**Bit 08 - COPM**, Coprocessor Mask

COPM = 0 -  
I/O cycles to the coprocessor are treated as a source of activity. Coprocessor cycles are detectable in 80386SX systems when A23 is high and M/I $\bar{O}$  is low and 80386DX systems when A31 is high and M/I $\bar{O}$  is low.

COPM = 1 -  
I/O to the coprocessor is ignored.

**Bits 07:06 - IMS1:0**, Interrupt Mask Select

The local attention generated by the Activity Monitor will be routed to an available interrupt input to invoke a service routine. That interrupt is not to be detected as a source of activity. IMS(1:0) provide a selection of four possible inputs to be used for this function and masks the corresponding IRR and ISR bits as sources of activity.

IMS 1	0	
0	0	- IRQ5 masked
0	1	- IRQ10 masked
1	0	- IRQ11 masked
1	1	- IRQ15 masked

**Bit 05 - IRR8M**, Interrupt Request Register 8 Mask

IRR8M = 0 -  
Real-Time Clock Interrupt (IRR8) may be detected as a source of activity. Bit 15 in the Activity Monitor Control Register at Port Address B072H must also be set.

IRR8M = 1 -  
Real-Time Clock Interrupt (IRR8) is ignored.

**NOTE**

See Test Enable Register (A872H), Section 10.3 for information about IRQ9 enable control.

See SMI Auxiliary Control Register (5472H), Section 9.3, for a definition of the activity masks for PCS2M and PCS3M.



**Bit 04 - IRR7M, Interrupt Request Register 7 Mask**

IRR7M = 0 - Parallel Port or Spurious Interrupt (IRR7) may be detected as a source of activity. Bit 15 in the Activity Monitor Control Register at Port Address B072H must also be set.

IRR7M = 1 - Parallel Port or Spurious Interrupt (IRR7) is ignored.

**Bit 03 - IRR0M, Interrupt Request Register 0 Mask**

IRR0M = 0 - Time Of Day Interrupt (IRR0) may be detected as a source of activity. Bit 15 in the Activity Monitor Control Register at Port Address B072H must also be set.

IRR0M = 1 - Time Of Day Interrupt (IRR0) is ignored.

**Bit 02 - ISR8M, Interrupt Service Register 8 Mask**

ISR8M = 0 - Real-Time Clock Interrupt (ISR8) may be detected as a source of activity.

ISR8M = 1 - Real-Time Clock Interrupt (ISR8) is ignored.

**Bit 01 - ISR7M, Interrupt Service Register 7 Mask**

ISR7M = 0 - Parallel Port or Spurious Interrupt (ISR7) may be detected as a source of activity.

ISR7M = 1 - Parallel Port or Spurious Interrupt (ISR7) is ignored.

**Bit 00 - ISR0M, Interrupt Service Register 0 Mask**

ISR0M = 0 - Time of Day Interrupt (ISR0) may be detected as a source of activity.

ISR0M = 1 - Time Of Day Interrupt (ISR0) is ignored.

**8.14 3V SUSPEND (HIBERNATION) SHADOW REGISTERS**

The 3V suspend mode provides maximum power savings for the system. The contents of the DRAM, Chip Set Registers, CPU Registers and Video RAM are all written to the hard disk and then all voltages are shut down, including the power supply. The only logic left on in this mode is the real-time clock and a 3 volt suspend controller. The real-time clock and the 3 volt suspend controller run off of the real-time clock battery. When the resume request is sampled by the suspend controller, the suspend controller enables the power supply and resumes the system.

To maintain compatibility with the IBM AT, the timer and DMA registers cannot be read back. To overcome this, these registers are shadowed and read back through other registers. (See the descriptions for register B872H in Section 5.4.15, register D072H in Section 8.9, register D472H in Section 8.10, registers 3C72H, 4472H and 4C72H in Section 8.14.1, 8.14.2 and 8.14.3.)

**8.14.1 DMA Shadow Register 1**

Port Address 3C72H - Read only

15	14	13	12	11	10	09	08
AD_DEC2	AUTO 2	TRA_TYP2		TRA_MOD1		AD_DEC1	AUTO 1

07	06	05	04	03	02	01	00
TRA_TYP1		TRA_MOD0		AD_DEC0	AUTO 0		TRA_TYP0

Signal Name	Default At RSTIN
All Signals	0

**Bit 15 - AD\_DEC2, Address Decrement 2**

AD\_DEC bit of register at Port Address 00BH for DMA channel 2.

**Bit 14 - AUTO2, Autoinitialize 2**

AUTO bit of register 00BH for DMA channel 2.

**Bits 13:12 - TRA\_TYP2, Transfer Type 2**

TRA\_TYP bits of register at Port Address 00BH for DMA channel 2.



**Bits 11:10 - TRA\_MOD1**, Transfer Mode 1  
 TRA\_MOD bits of register at Port Address 00BH for DMA channel 1.

**Bit 09 - AD\_DEC1**, Address Decrement 1  
 AD\_DEC bit of register at Port Address 00BH for DMA channel 1.

**Bit 08 - AUTO1**, Autoinitialize 1  
 AUTO bit of register at Port Address 00BH for DMA channel 1.

**Bits 07:06 - TRA\_TYP1**, Transfer Type 1  
 TRA\_TYP bits of register at Port Address 00BH for DMA channel 1.

**Bits 05:04 - TRA\_MOD0**, Transfer Mode 0  
 TRA\_MOD bits of register at Port Address 00BH for DMA channel 0.

**Bit 03 - AD\_DEC0**, Address Decrement 0  
 AD\_DEC bit of register at Port Address 00BH for DMA channel 0.

**Bit 02 - AUTO0**, Autoinitialize 0  
 AUTO bit of register at Port Address 00BH for DMA channel 0.

**Bits 01:00 - TRA\_TYP0**, Transfer Type 0  
 TRA\_TYP bits of register at Port Address 00BH for DMA channel 0.

**Bits 15:14 - TRA\_TYP6**, Transfer Type 6  
 TRA\_TYP bits of register at Port Address 0D6H for DMA channel 6.

**Bits 13:12 - TRA\_MOD5**, Transfer Mode 5  
 TRA\_MOD bits of register at Port Address 0D6H for DMA channel 5.

**Bit 11 - AD\_DEC5**, Address Decrement 5  
 AD\_DEC bit of register at Port Address 0D6H for DMA channel 5.

**Bit 10 - AUTO5**, Autoinitialize 5  
 AUTO bit of register at Port Address 0D6H for DMA channel 5.

**Bits 09:08 - TRA\_TYP5**, Transfer Type 5  
 TRA\_TYP bits of register at Port Address 0D6H for DMA channel 5.

**Bits 07:06 - TRA\_MOD3**, Transfer Mode 3  
 TRA\_MOD bits of register at Port Address 00BH for DMA channel 3.

**Bit 05 - AD\_DEC3**, Address Decrement 3  
 AD\_DEC bit of register at Port Address 00BH for DMA channel 3.

**Bit 04 - AUTO3**, Autoinitialize 3  
 AUTO bit of register at Port Address 00BH for DMA channel 3.

**Bits 03:02 - TRA\_TYP3**, Transfer Type 3  
 TRA\_TYP bits of register at Port Address 00BH for DMA channel 3.

**Bits 01:00 - TRA\_MOD2**, Transfer Mode 2  
 TRA\_MOD bits of register at Port Address 00BH for DMA channel 2.

**8.14.2 DMA Shadow Register 2**

Port Address 4472H - Read only

15	14	13	12	11	10	09	08
TRA_TYP6		TRA_MOD5		AD_DEC5	AUTO5	TRA_TYP5	

07	06	05	04	03	02	01	00
TRA_MOD3		AD_DEC3	AUTO3	TRA_TYP3		TRA_MOD2	

<b>Signal Name</b>	<b>Default At RSTIN</b>
All signals . . . . .	0



**8.14.3 DMA Shadow Register 3**

Port Address 4C72H - Bit 15 Read and Write  
Bits 14:0 Read only

15	14	13	12	11	10	09	08
SCB		EX_WR	RO_PRI		CO_DIS	TRA_MOD7	

07	06	05	04	03	02	01	00
AD_DEC7	AUTO 7	TRA_TYP7		TRA_MOD6		AD_DEC6	AUTO 6

Signal Name	Default At RSTIN
All signals . . . . .	0

**Bit 15 - SCB, Shadow Control Bit**

For more information regarding SCB see Sections 8.14.4 and 8.14.5)

SCB = 0 -  
EX\_WR, RO\_PRI and CO\_DIS from the Command Register at Port Address 0D0H is presented on bits 13, 12 and 10.

SCB = 1 -  
EX\_WR, RO\_PRI and CO\_DIS from the Command Register at Port Address 008H is presented on bits 13, 12 and 10.

**Bit 14, Reserved**

**Bit 13 - EX\_WR, Extended Write**

If SCB = 0, this is EX\_WR of Port Address 008H.

If SCB = 1, this is EX\_WR of Port Address 0D0H.

**Bit 12 - RO\_PRI, Rotating Priority**

If SCB = 0, this is RO\_PRI of Port Address 008H.

If SCB = 1, this is RO\_PRI of Port Address 0D0H.

**Bit 11, Reserved**

**Bit 10 - CO\_DIS, Controller Disabled**

If SCB = 0, this is CO\_DIS of Port Address 008H.

If SCB = 1, this is CO\_DIS of Port Address 0D0H.

**Bits 09:08 - TRA\_MOD7, Transfer Mode 7**

TRA\_MOD bits of register at Port Address 0D6H for DMA channel 7.

**Bit 07 - AD\_DEC7, Address Decrement 7**

AD\_DEC bit of register at Port Address 0D6H for DMA channel 7.

**Bit 06 - AUTO7, Autoinitialize 7**

AUTO bit of register at Port Address 0D6H for DMA channel 7.

**Bits 05:04 - TRA\_TYP7, Transfer Type 7**

TRA\_TYP bits of register at Port Address 0D6H for DMA channel 7.

**Bits 03:02 - TRA\_MOD6, Transfer Mode 6**

TRA\_MOD bits of register at Port Address 0D6H for DMA channel 6.

**Bit 01 - AD\_DEC6, Address Decrement 6**

AD\_DEC bit of register at Port Address 0D6H for DMA channel 6.

**Bit 00 - AUTO6, Autoinitialize 6**

AUTO bit of register at Port Address 0D6H for DMA channel 6.

**8.14.4 DMA Base Address and Count Register**

When the SCB (bit 15 of DMA Shadow Register 3) is high, the DMA base address and base count can be read back from channels 0 through 7. When SCB is low, channels 0 through 7 represents the current address and current count.

**8.14.5 Timer Count**

When SCB (bit 15 of DMA Shadow Register 3) is high, the timer base count can be read back from registers at Port Addresses 040H:043H. When SCB is low, the registers at Port Addresses 040H:043H represents the timer current count. Refer to Sections 5.6 through 5.6.6



8.15 SUSPEND AND RESUME

When the WD8110/LV is in the Suspend Mode, it typically draws less than 500  $\mu$ A. Figures 8-2 and

8-3 illustrate the steps that the WD8110/LV goes through during suspend and resume.

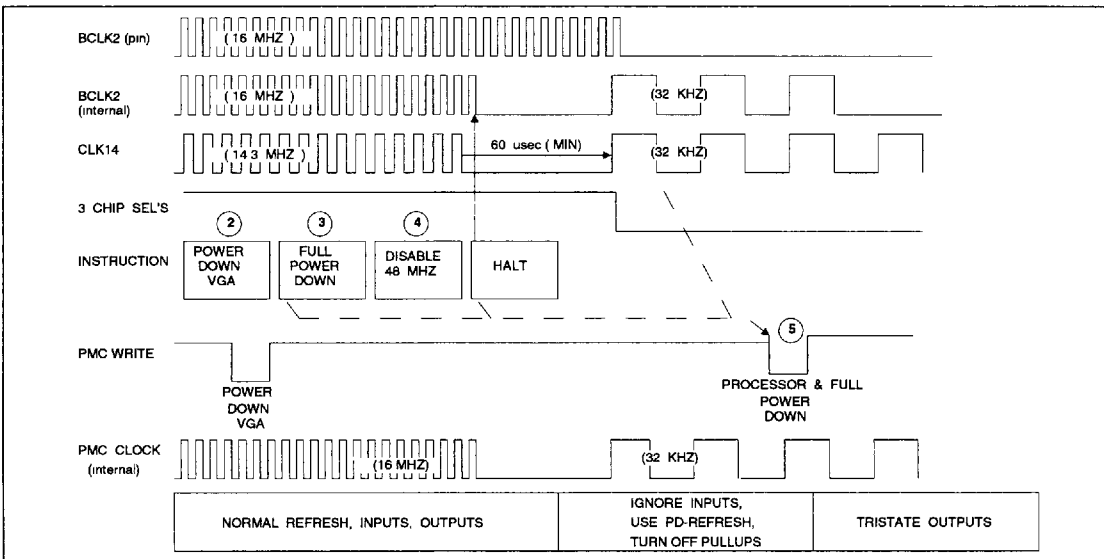


FIGURE 8-2. SUSPEND

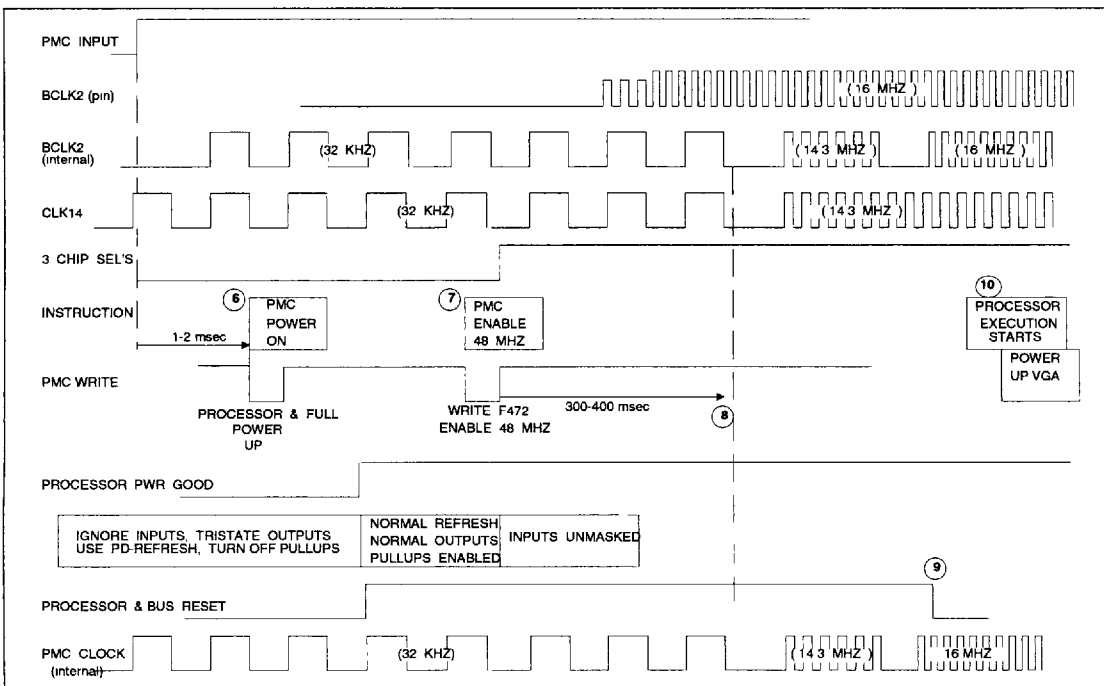


FIGURE 8-3. RESUME



This section describes the suspend/resume sequence shown in Figures 8-2 and 8-3. It is an approach for a low power mode for the WD8110/LV chip set that offers the lowest power drain possible but still allows the main system DRAM and video DRAM to be kept alive. This power-down mode requires specialized suspend/resume SMI Code software to control the operation. Figure 8-4 highlights the inter-connection within the chip set.

#### 8.15.1 Going Into Suspend Mode

1. A change in the PMC input signals the WD8110/LV to generate either SMI or LCL\_ATN. The processor vectors to the power-down routine and the processor saves its internal states and the states of the peripherals that are to be powered down. The processor saves the states into a protected area of the system DRAM.
2. The power-down routine writes to the full-power-down bit (FPD bit 13 at Port Address 1872H) which enables the power-down sequence. The WD8110/LV switches to sampling of the PMC inputs with the 14.318 MHz clock instead of the AT Bus clock.
3. The processor then writes to an I/O register in the WD8110/LV that switches a PMC output that is connected to the PWRDN input pin of the WD90C2X. Upon assertion of the PWRDN signal, the VGA controller enters the power-down mode which refreshes the video DRAM via the AT Bus REFRESH signal. CAS before RAS refresh is the preferred way of refreshing the DRAMs because it allows lower power operation without the generation of a DRAM refresh address.
4. The processor then writes to the Disable 48 MHz register (Port F072H) which causes the WD8110/LV to put a code of 15 on the encoded chip select bus. The WD76C20 decodes this write and disables its 48 MHz oscillator, glitchlessly switches the 14.318 MHz oscillator signal to a 32 KHz, 50% duty cycle signal and then disables the 14.318 MHz oscillator. The WD76C20 also asserts the CSSERA, CSSERB and CSPAR signals simultaneously which signals the WD76C30A to disable its 48 MHz oscillator. When this oscillator is disabled, the AT Bus Clock, Key-

board Clock and 80287 Clock are disabled. The processor executes a halt instruction and the WD8110/LV detects the halt status from the processor and switches from the AT compatible refresh to the PDREF controlled refresh. The WD8110/LV then switches the AT Bus compatible REFRESH output signal to reflect that of the PDREF input signal.

The PDREF input is a CMOS level clock signal that has a 124  $\mu$ s period and a low going pulse of 200 ns to 1  $\mu$ s. This signal is always active and is adequate for refreshing low power DRAMs. This signal is generated by the WD76C20.

5. Upon detecting that the 14.318 MHz clock has been changed to 32 KHz, the WD8110/LV tristates all outputs except the PMC controls, DRAM controls, RA bus and AT Bus REFRESH signal. The CPURES signal is asserted and then tristated and is pulled high through a 200K pull-up resistor. All inputs except RSTIN, CLK14 and the PMC are ignored and all circuitry except the PMC and refresh logic is stopped.

The power is now turned off to the CPU, BUS, etc., by the assertion of the FULLPWDN PMC output from the WD8110/LV.

6. The processor-power-good PMC input must now go low in order for this state machine to start monitoring a resume condition as described in Section 8.15.2

#### 8.15.2 Coming Out of Suspend Mode (Resume)

1. The WD8110/LV is now sampling the PMC inputs at 32 KHz. At this time, the change of any enabled PMC input causes the FULLPWDN PMC output described in step 5 to switch, which powers up the processor, bus, etc. After 1 ms (timed from the 32 KHz clock input), the WD8110/LV samples the processor-power-good PMC input. When active the CPURES is driven high and the rest of the WD8110/LV control outputs are driven to their correct states, a BUS RESET is issued also.





2. Upon detecting the power-good signal, the WD8110/LV state machine performs a write to the ENABLE 48 MHz register which sends a code of 16 on the encoded chip select lines.
3. The WD76C20 receives the code, enables the 48 MHz and 14.318 MHz oscillators and de-asserts the CSSERA, CSSERB and CSPAR signals. After approximately 100 ms (enable time for the oscillators), the WD76C20 glitchlessly switches the 32 KHz signal to 14.318 MHz.
4. The WD76C30A enables its 48 MHz oscillator upon the de-assertion of its CSSERA, CSSERB and CSPAR input signals.
5. When the WD8110/LV detects that the 32 KHz has been switched to 14.318 MHz, it switches the PMC sampling to the AT Bus Clock. The WD8110/LV then switches from the PDREF controlled refresh to the AT compatible refresh. The WD8110/LV also switches the AT bus REFRESH signal from the PDREF input to the AT compatible refresh rate. The WD8110/LV de-asserts the CPURES signal and the processor comes out of reset and checks the shutdown status in the RTC RAM. This tells the processor that it is coming out of full-power-down mode as opposed to a warm or cold boot. The processor then restores the states of the machine.
6. The processor writes to the WD8110/LV register that causes the WD8110/LV to de-assert its PMC output. This output is connected to PWRDN input of the WD90C2X signaling the WD90C2X to come out of the power-down mode.



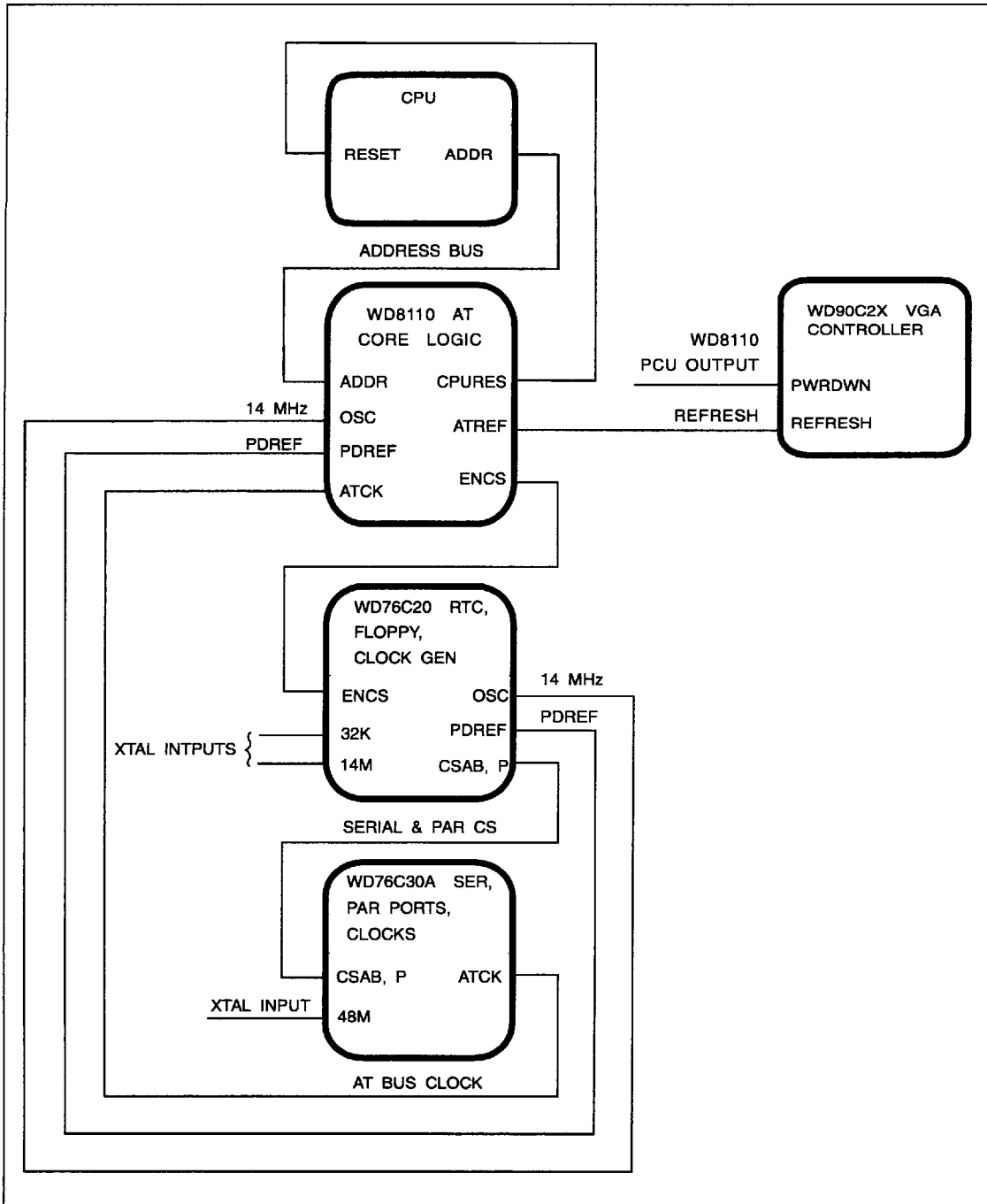


FIGURE 8-4. FULL POWER-DOWN MODE SYSTEM BLOCK DIAGRAM



## 9.0 SYSTEM MANAGEMENT INTERRUPT (SMI)

### 9.1 I/O TRAPS

In order to conserve power, certain I/O peripherals can be put to sleep when they are not in use. To accomplish this in a transparent manner, hardware must intercept (trap) any accesses made to the sleeping device and wake it up before allowing the access to proceed. The System Controller can trap accesses to I/O devices controlled by the following chip selects:

- Programmable Chip Select 1
- Programmable Chip Select 2
- Programmable Chip Select 3
- Serial Port A Chip Select
- Serial Port B Chip Select
- Parallel Port Chip Select

When access to an I/O device is trapped, the System Controller asserts the SMI pin 102 to the CPU. Control is transferred to the SMI handler routine which determines which I/O access caused the SMI handler to be invoked. The handler looks at the register at Port 7C72H to determine the I/O address accessed.

The SMI handler is located in SMI RAM. SMI RAM consists of from 64K to 256 Kbytes of DRAM space taken from split memory. Once the SMI service routine is loaded into SMI RAM space, the SMI RAM space can be hidden from system access and remapped to SMI address space. The only way to access the SMI address space after remap is to put the CPU in SMI mode.

#### 9.1.1 IBM I/O Trap Register

Port Address 8472H - Read only when in Virus Protection mode.

15	14	13	12	11	10	09	08
IBM IOT	Reserved						

15	14	13	12	11	10	09	08
Reserved							

<b>Signal Name</b>	<b>Default At RSTIN</b>
All signals . . . . .	0

#### Bit 15 - IBMIOT, IBM Trap Mode

When IBMIOT is set, a minimum of 12 CLKs between the assertion of SMI for an I/O trap and the end of the I/O instruction is ensured. This is required by IBM CPUs.

#### Bits 14:00 - Reserved

#### 9.1.2 SMI I/O Trap Control Register

Port Address 7C72H - Bits 15:08 Read and Write  
 Bit 07 Read and Clear  
 Bits 06:00 Read only

15	14	13	12	11	10	09	08
LAEN	PH2_SEL	INT_SMI	I/O Trap Enable				
			PC1_TPE	PC2_TPE	SPA_TPE	SPB_TPE	PAR_TPE

07	06	05	04	03	02	01	00
I/O Trap Status							
TRPS	IOWS	PC3_TPS	PC2_TPS	PC1_TPS	PAR_TPS	SPA_TPS	SPB_TPS

<b>Signal Name</b>	<b>Default At RSTIN</b>
All signals . . . . .	0

#### Bit 15 - LAEN, Local Attention Enable

There are three sources that can cause the Local Attention PMC output to be asserted. One is a transition on an unmasked PMC input pin (see description for registers at Port 8872H and C872H). The second is a signal from the System Activity Monitor (see description for registers at Port B072H and D872H). The third is a Watchdog Timer. These sources will also cause an SMI if LAEN is set high. The SMI is based on an internal version of Local Attention and occurs even if PMC updates are disabled.

LAEN = 0 -  
 Disables generation of  $\overline{SMI}$  by a Local Attention

LAEN = 1 -  
 Enables  $\overline{SMI}$  to be caused by a Local Attention



**Bit 14 - PH2\_SEL, Phase 2 SMI Select**

PH2\_SEL cannot be written to while in VPMODE.

PH2\_SEL = 0 -

SMI on pin 102 is asserted as an output during phase 1 of the processor clock. This is the appropriate setting for AMD and Cyrix CPUs.

PH2\_SEL = 1 -

SMI on pin 102 is asserted as an output during phase 2 of the processor clock. This is the appropriate setting for an Intel CPU.

**Bit 13 - INT\_SMI, Intel SMI**

INT\_SMI cannot be written to while in VPMODE.

INT\_SMI = 0 -

The SMI handshake logic is configured for AMD, IBM and Cyrix CPUs. Pin 101 is SMIRDY.

INT\_SMI = 1 -

The SMI handshake is configured for an Intel CPU. Pin 101 is FLUSH.

**Bit 12 - PC1\_TPE, Programmable Chip Select 1 Trap Enable**

When set to 1, PC1\_TPE enables an I/O trap to occur whenever an I/O read or write occurs at an address within the range covered by the Programmable Chip Select (See registers at Port 2872H and 3072H).

PC1\_TPE = 0 -  
Disable Trap

PC1\_TPE = 1 -  
Enable Trap

**Bit 11 - PC2\_TPE, Programmable Chip Select 2 Trap Enable**

When set to 1, PC2\_TPE enables an I/O trap to occur whenever an I/O read or write occurs at an address within the range covered by the second programmable chip select (see registers at Port 5C72H and 6472H). This trap occurs even if the ENPCS2 bit at Port 5C72H is not set.

PC2\_TPE = 0 -  
Disable Trap

PC2\_TPE = 1 -  
Enable Trap

**Bit 10 - SPA\_TPE, Serial Port A Chip Select Trap Enable**

When set to 1, SPA\_TPE enables an I/O trap to occur whenever an I/O read or write occurs at an address within the range covered by the Serial Port A Chip Select (see register at Port 2072H).

SPA\_TPE = 0 -  
Disable Trap

SPA\_TPE = 1 -  
Enable Trap

**Bit 09 - SPB\_TPE, Serial Port B Chip Select Trap Enable**

When set to 1, SPB\_TPE enables an I/O trap to occur whenever an I/O read or write occurs at an address within the range covered by the Serial Port B Chip Select (see register at Port 2072H).

SPB\_TPE = 0 -  
Disable Trap

SPB\_TPE = 1 -  
Enable Trap

**Bit 08 - PAR\_TPE, Parallel Port Chip Select Trap Enable**

When set to 1, PAR\_TPE enables an I/O trap to occur whenever an I/O read or write occurs at an address within the range covered by the Parallel Port Chip Select (see register at Port 2072H).

PAR\_TPE = 0 -  
Disable Trap

PAR\_TPE = 1 -  
Enable Trap

**Bit 07 - TRPS, Trap Status**

The SMI handler polls TRPS to determine if an I/O trap caused the SMI. The source of the I/O Trap may be determined by reading bits 5:0. When TRPS is set to 0, all status bits (7:0) are reset to 0, preparing the I/O trap state machine to capture future I/O cycles. The SMI handler should do this each time it services an I/O trap. Writing a 1 to TRPS has no effect.



TRPS = 0 -  
No I/O trap has occurred.

TRPS = 1 -  
An I/O trap has occurred.

**Bit 06 - IOWS, I/O Write Status**

IOWS is set when the I/O cycle that caused a trap is a write operation. IOWS is cleared when a 0 is written to TRPS.

**Bit 05 - PC3\_TPS, Programmable Chip Select 3 Trap Status**

PC3\_TPS = 0 -  
I/O trap did not occur on Programmable Chip Select 3.

PC3\_TPS = 1 -  
I/O trap did occur on Programmable Chip Select 3.

PC3\_TPS is cleared during reset or when a 0 is written to TRPS.

**Bit 04 - PC2\_TPS, Programmable Chip Select 2 Trap Status**

PC2\_TPS = 0 -  
I/O trap did not occur on Programmable Chip Select 2.

PC2\_TPS = 1 -  
I/O trap did occur on Programmable Chip Select 2.

PC2\_TPS is cleared during reset or when a 0 is written to TRPS.

**Bit 03 - PC1\_TPS, Programmable Chip Select 1 Trap Status**

PC1\_TPS = 0 -  
I/O trap did not occur on Programmable Chip Select 1.

PC1\_TPS = 1 -  
I/O trap did occur on Programmable Chip Select 1.

PC1\_TPS is cleared during reset or when a 0 is written to TRPS.

**Bit 02 - PAR\_TPS, Parallel Port Trap Status**

PAR\_TPS = 0 -  
I/O trap did not occur on Parallel Port Chip Select.

PAR\_TPS = 1 -  
I/O trap did occur on Parallel Port Chip Select.

PAR\_TPS is cleared during reset or when a 0 is written to TRPS.

**Bit 01 - SPA\_TPS, Serial Port A Trap Status**

SPA\_TPS = 0 -  
I/O trap did not occur on Serial Port A Chip Select.

SPA\_TPS = 1 -  
I/O trap did occur on Serial Port A Chip Select.

SPA\_TPS is cleared during reset or when a 0 is written to TRPS.

**Bit 00 - SPB\_TPS, Serial Port B Trap Status**

SPB\_TPS = 0 -  
I/O trap did not occur on Serial Port B Chip Select.

SPB\_TPS = 1 -  
I/O trap did occur on Serial Port B Chip Select.

SPB\_TPS is cleared during reset or when a 0 is written to TRPS.

## 9.2 SMI I/O TIMEOUT

As a power conservation measure, it is desirable to put some I/O peripherals in the Sleep Mode when they are not in use. This may involve shutting off clocks or removing power. In order to do this, there must be a mechanism for determining that a device is not in use. In the System Controller, timers are included for each I/O device that is a candidate for power reduction measures. Each timer causes an  $\overline{\text{SMI}}$  when no access is made to an I/O device for a programmable amount of time. The timers are reset by I/O read or write operations to any address which falls within the range of its chip select.

When an  $\overline{\text{SMI}}$  is generated, the SMI handler takes whatever action is appropriate to power down the I/O peripheral. The handler then enables the I/O trap for that device so that it can be awakened the next time it is accessed.



**9.2.1 SMI I/O Timeout Control Register**

Port Address 9C72H - Bits 15, 04:00 Read and Write  
 Bits 14:05 Read only

<b>15</b>	<b>14</b>	<b>13</b>	<b>12</b>	<b>11</b>	<b>10</b>	<b>09</b>	<b>08</b>
F_SMI	PC1_ADS	PC2_ADS	SPA_ADS	SPB_ADS	PAR_ADS	PC1_TOS	PC2_TOS
<b>07</b>	<b>06</b>	<b>05</b>	<b>04</b>	<b>03</b>	<b>02</b>	<b>01</b>	<b>00</b>
SPA_TOS	SPB_TOS	PAR_TOS	PC1_TOE	PC2_TOE	SPA_TOE	SPB_TOE	PAR_TOE

<b>Signal Name</b>	<b>Default At RSTIN</b>
All signals . . . . .	0

**Bit 15 - F\_SMI, Force SMI**

F\_SMI provides a means to invoke the SMI handler through software. When this bit is set to 1, the SMI pin 102 is asserted. F\_SMI should be cleared by the SMI handler before it exits to prevent another SMI.

F\_SMI = 0 - Force SMI Disable

F\_SMI = 1 - Force SMI Enable

**Bit 14 - PC1\_ADS, Programmable Chip Select 1 Activity Detect Status**

PC1\_ADS can be polled by the SMI handler to determine whether the programmable chip select I/O address range has been accessed since PC1\_TOS was set. If PC1\_ADS is set, then an I/O access has occurred since the inactivity timeout was triggered. The SMI handler ignores the timeout and restarts the timeout counter. PC1\_ADS is cleared by reset or when PC1\_TOE is cleared.

**Bit 13 - PC2\_ADS, Programmable Chip Select 2 Activity Detect Status**

PC2\_ADS can be polled by the SMI handler to determine if the second Programmable Chip Select's I/O address range has been accessed since PC2\_TOS was set. If PC2\_ADS is set, then an I/O access has occurred since the inactivity timeout was triggered.

The SMI handler ignores the timeout and restarts the timeout counter. PC2\_ADS is cleared by reset or when PC2\_TOE is cleared.

**Bit 12 - SPA\_ADS, Serial Port A Chip Select Activity Detect Status**

SPA\_ADS can be polled by the SMI handler to determine if the Programmable Chip Select's I/O address range has been accessed since SPA\_TOS was set. If SPA\_ADS is set, then an I/O access has occurred since the inactivity timeout was triggered. The SMI handler ignores the timeout and restarts the timeout counter. SPA\_ADS is cleared by reset or when SPA\_TOE is cleared.

**Bit 11 - SPB\_ADS, Serial Port B Chip Select Activity Detect Status**

SPB\_ADS can be polled by the SMI handler to determine if the Programmable Chip Select's I/O address range has been accessed since SPB\_TOS was set. If SPB\_ADS is set, then an I/O access has occurred since the inactivity timeout was triggered. The SMI handler ignores the timeout and restarts the timeout counter. SPB\_ADS is cleared by reset or when SPB\_TOE is cleared.

**Bit 10 - PAR\_ADS, Parallel Port Chip Select Activity Detect Status**

PAR\_ADS can be polled by the SMI handler to determine if the programmable chip select I/O address range has been accessed since PAR\_TOS was set. If PAR\_ADS is set, then an I/O access has occurred since the inactivity timeout was triggered. The SMI handler ignores the timeout and restarts the timeout counter. PAR\_ADS is cleared by reset or when PAR\_TOE is cleared.

**Bit 09 - PC1\_TOS, Programmable Chip Select 1 Timeout Status**

PC1\_TOS can be polled by the SMI handler to determine the source of the SMI. PC1\_TOS is set when an I/O access timeout has occurred for the Programmable Chip Select I/O address range. PC1\_TOS is cleared by reset or when PC1\_TOE is cleared.



**Bit 08 - PC2\_TOS**, Programmable Chip Select 2  
Timeout Status

PC2\_TOS can be polled by the SMI handler to determine the source of the SMI. PC2\_TOS is set when an I/O access timeout has occurred for the second Programmable Chip Select I/O address range. PC2\_TOS is cleared by reset or when PC2\_TOE is cleared.

**Bit 07 - SPA\_TOS**, Serial Port A Chip Select  
Timeout Status

SPATOS can be polled by the SMI handler to determine the source of the SMI. SPA\_TOS is set when an I/O access timeout has occurred for the Serial Port A Chip Select I/O address range. SPA\_TOS is cleared by reset or when SPA\_TOE is cleared.

**Bit 06 - SPB\_TOS**, Serial Port B Chip Select  
Timeout Status

SPB\_TOS can be polled by the SMI handler to determine the source of the SMI. SPB\_TOS is set when an I/O access timeout has occurred for the Serial Port B Chip Select's I/O address range. SPB\_TOS is cleared by reset or when SPB\_TOE is cleared.

**Bit 05 - PAR\_TOS**, Parallel Port Chip Select  
Timeout Status

PAR\_TOS can be polled by the SMI handler to determine the source of the SMI. PAR\_TOS is set when an I/O access timeout has occurred for the Parallel Port Chip Select I/O address range. PAR\_TOS is cleared by reset or when PAR\_TOE is cleared.

**Bit 04 - PC1\_TOE**, Programmable Chip Select 1  
Timeout Enable

PC1\_TOE = 0 -  
Programmable Chip Select 1 Timeouts disabled and PC1\_TOS cleared.

PC1\_TOE = 1 -  
I/O access timeout for the Programmable Chip Select 1 I/O address range enabled.

**Bit 03 - PC2\_TOE**, Programmable Chip Select 2  
Timeout Enable

PC2\_TOE = 0 -  
Programmable Chip Select 2 timeouts disabled and PC2\_TOS cleared.

PC2\_TOE = 1 -  
I/O access timeout for the Programmable Chip Select 2 I/O address range enabled.

**Bit 02 - SPA\_TOE**, Serial Port A Chip Select  
Timeout Enable

SPA\_TOE = 0 -  
Serial Port A Chip Select timeouts disabled and SPA\_TOS cleared.

SPA\_TOE = 1 -  
I/O access timeout for the Serial Port A Chip Select I/O address range enabled.

**Bit 01 - SPB\_TOE**, Serial Port B Chip Select  
Timeout Enable

SPB\_TOE = 0 -  
Serial Port B Chip Select timeouts disabled and SPB\_TOS cleared.

SPB\_TOE = 1 -  
I/O access timeout for the Serial Port B Chip Select I/O address range enabled.

**Bit 00 - PAR\_TOE**, Parallel Port Chip Select  
Timeout Enable

PAR\_TOE = 0 -  
Parallel Port Chip Select timeouts disabled and PAR\_TOS cleared.

PAR\_TOE = 1 -  
I/O access timeout for the Parallel Port Chip Select I/O address range enabled.



**9.2.2 SMI I/O Timeout Count Register 1**

Port Address A472H - Read and Write

15	14	13	12	11	10	09	08
SMI_WUE	Pro. Chip Select Timeout Count 1 PC1_TC4 PC1_TC3 PC1_TC2 PC1_TC1 PC1_TC0					Pro. Chip Sel PC2_TC4 PC2_TC3	

07	06	05	04	03	02	01	00
ect Timeout Count 2 PC2_TC2 PC2_TC1 PC2_TC0			Ser. Port A Chip Select Timeout Count SPA_TC4 SPA_TC3 SPA_TC2 SPA_TC1 SPA_TC0				

<b>Signal Name</b>	<b>Default At RSTIN</b>
All signals . . . . .	0

**Bit 15 - SMI\_WUE, SMI Wake Up Enable**

SMI\_WUE, when set to 1, causes the assertion of SMI to wake up the processor from a power-down or stop clock state. An INTR, NMI, or DMA request wakes up the processor, regardless of the state of this bit. Note that setting SMI\_WUE does not enable SMI to initiate a resume from suspend.

SMI\_WUE = 0 -  
Disable SMI Wakeup

SMI\_WUE = 1 -  
Enable SMI Wakeup

**Bits 14:10 - PC1\_TC 4:0, Programmable Chip Select 1 Timeout Count**

PC1\_TC 4:0, along with the timeout clock select PC1\_TCS (Port AC72H bit 4), determine the time period during which an I/O peripheral, selected by the Programmable Chip Select, must not be accessed in order to be considered inactive. The timeout setting is determined as follows:

PC1\_TCS = 0 -  
(Count in PC1\_TC4:0) x 4 seconds  
Range: from 4 seconds to 2 minutes, 4 seconds  
Error: -0, +2 seconds.

PC1\_TCS = 1 -  
(Count in PC1\_TC4:0) x 40 seconds  
Range: from 40 seconds to 20 minutes, 40 seconds  
Error: -0, +20 seconds.

**Bits 09:05 - PC2\_TC 4:0, Programmable Chip Select 2 Timeout Count**

PC2\_TC 4:0, along with the timeout clock select PC2\_TCS (Port AC72H bit 3), determine the time period during which an I/O peripheral, selected by Programmable Chip Select 2, must not be accessed in order to be considered inactive. The timeout setting is determined as follows:

PC2\_TCS = 0 -  
(Count in PC2\_TC4:0) x 4 seconds  
Range: from 4 seconds to 2 minutes, 4 seconds  
Error: -0, +2 seconds.

PC2\_TCS = 1 -  
(Count in PC2\_TC4:0) x 40 seconds  
Range: from 40 seconds to 20 minutes, 40 seconds  
Error: -0, +20 seconds.

**Bits 4:0 - SPA\_TC4:0, Serial Port A Chip Select Timeout Count**

SPA\_TC4:0, along with the timeout clock select SPA\_TCS (Port AC72H bit 2), determine the time period during which Serial Port A must not be accessed in order to be considered inactive. The timeout setting is determined as follows:

SPA\_TCS = 0 -  
(Count in SPA\_TC4:0) x 4 seconds  
Range: from 4 seconds to 2 minutes, 4 seconds  
Error: -0, +2 seconds.

SPA\_TCS = 1 -  
(Count in SPA\_TC4:0) x 40 seconds  
Range: from 40 seconds to 20 minutes, 40 seconds  
Error: -0, +20 seconds.





**9.2.3 SMI I/O Timeout Count Register 2**

Port Address AC72H - Read and Write

<b>15</b>	<b>14</b>	<b>13</b>	<b>12</b>	<b>11</b>	<b>10</b>	<b>09</b>	<b>08</b>
IOT CTM	Ser. Port B Chip Select Timeout Count					Par. Port Chip	
	SPB_ TC4	SPB_ TC3	SPB_ TC2	SPB_ TC1	SPB_ TC0	PAR_ TC4	PAR_ TC3

<b>07</b>	<b>06</b>	<b>05</b>	<b>04</b>	<b>03</b>	<b>02</b>	<b>01</b>	<b>00</b>
Select Timeout Count			Timeout Clock Select				
PAR_ TC2	PAR_ TC1	PAR_ TC0	PC1_ TCS	PC2_ TCS	SPA_ TCS	SPB_ TCS	PAR_ TCS

**Signal Name** . . . . . **Default At RSTIN**  
All signals . . . . . 0

**Bit 15 - IOTCTM, I/O Timeout Counter Test Mode**

IOTCTM is for factory use only. When = 1, the timeout counters are placed into test mode.

**Bits 14:10 - SPB\_TC4:0, Serial Port B Chip Select Timeout Count**

SPB\_TC4:0, along with the timeout clock select SPB\_TCS (this register bit 1), determine the time period during which Serial Port B must not be accessed in order to be considered inactive. The timeout setting is determined as follows:

SPB\_TCS = 0 -  
(Count in **SPB\_TC4:0**) x 4 seconds  
Range: from 4 seconds to 2 minutes, 4 seconds  
Error: -0, +2 seconds.

SPB\_TCS = 1 -  
(Count in **SPB\_TC4:0**) x 40 seconds  
Range: from 40 seconds to 20 minutes, 40 seconds  
Error: -0, +20 seconds.

**Bits 09:05 - PAR\_TC4:0, Parallel Port Chip Select Timeout Count**

PAR\_TC4:0, along with the timeout clock select PAR\_TCS (this register bit 0), determine the time period during which the parallel port must not be accessed in order to be considered inactive. The timeout setting is determined as follows:

PAR\_TCS = 0 -  
(Count in **PAR\_TC4:0**) x 4 seconds  
Range: from 4 seconds to 2 minutes, 4 seconds  
Error: -0, +2 seconds.

PAR\_TCS = 1 -  
(Count in **PAR\_TC4:0**) x 40 seconds  
Range: from 40 seconds to 20 minutes, 40 seconds  
Error: -0, +20 seconds.

**Bit 04 - PC1\_TCS, Programmable Chip Select 1 Timeout Clock Select**

PC1\_TCS selects the clock to be used for the Programmable Chip Select Timeout Counter.

PC1\_TCS = 0 -  
A high-speed clock is used to obtain 4 second timing resolution for timeout periods of 2 minutes or less.

PC1\_TCS = 1 -  
A low-speed clock is used to obtain 40 second timing resolution but a longer timeout period of over 20 minutes. See the description of PC1\_TC4:0 (register at Port A472H bits 14:10) for more details.

**Bit 03 - PC2\_TCS, Programmable Chip Select 2 Timeout Clock Select**

PC2\_TCS selects the clock to be used for the second Programmable Chip Select Timeout Counter.

PC2\_TCS = 0 -  
A high-speed clock is used to obtain 4 second timing resolution for timeout periods of 2 minutes or less.

PC2\_TCS = 1 -  
A low-speed clock is used to obtain 40 second timing resolution, but a longer timeout period of over 20 minutes. See the description of PC2\_TC4:0 (register at Port A472H bits 09:05) for more details.



**Bit 02 - SPA\_TCS, Serial Port A Chip Select Timeout Clock Select**

SPA\_TCS selects the clock to be used for the Serial Port A Timeout Counter.

SPA\_TCS = 0 -  
A high-speed clock is used to obtain 4 second timing resolution for timeout periods of 2 minutes or less.

SPA\_TCS = 1 -  
A low-speed clock is used to obtain 40 second timing resolution, but a longer timeout period of over 20 minutes. See the description of SPA\_TC4:0 (register at Port A472H bits 04:00) for more details.

**Bit 01 - SPB\_TCS, Serial Port B Chip Select Timeout Clock Select**

SPB\_TCS selects the clock to be used for the Serial Port B Timeout Counter.

SPB\_TCS = 0 -  
A high-speed clock is used to obtain 4-second timing resolution for timeout periods of 2 minutes or less.

SPB\_TCS = 1 -  
A low-speed clock is used to obtain 40 second timing resolution, but a longer timeout period of over 20 minutes. See the description of SPB\_TC4:0 (this register bits 14:10) for more details.

**Bit 00 - PAR\_TCS, Parallel Port Chip Select Timeout Clock Select**

PAR\_TCS selects the clock to be used for the Parallel Port Timeout Counter.

PAR\_TCS = 0 -  
A high-speed clock is used to obtain 4-second timing resolution for timeout periods of 2 minutes or less.

PAR\_TCS = 1 -  
A low-speed clock is used to obtain 40 second timing resolution, but a longer timeout period of over 20 minutes. See the description of PAR\_TC4:0 (this register bits 09:05) for more details.

**9.3 SMI AUXILIARY CONTROL REGISTER**

Port Address 5472H - Bits 15, 13, 11:08, 05:00  
Read and Write  
Bits 07:06 Read only  
Bit 12 Read and clear

15	14	13	12	11	10	09	08
TO_MSK		WDO_GEN	WDO_GST	PCS_3M	PCS_2M	PC3_TPE	PC3_TOE

07	06	05	04	03	02	01	00
PC3_TOS	PC3_ADS	PC3_TC4	PC3_TC3	PC3_TC2	PC3_TC1	PC3_TC0	PC3_TCS

<b>Signal Name</b>	<b>Default At RSTIN</b>
All signals . . . . .	0

**Bit 15 - TO\_MSK, Timeout Mask**

When set to one, TO\_MSK masks I/O device timeouts from causing assertion of the SMI output. If enabled, the I/O device timers continue to count down. If a timeout occurs, the SMI output is asserted after TO\_MSK is cleared. Also, when TO\_MSK is set, the I/O device timers will not detect I/O activity, thus preventing the timer from being reset.

**Bit 14 - Reserved**

**Bit 13 - WDOGEN, Watchdog Timer Interrupt Enable**

The interrupt is cleared either by writing a zero to WDOGST or WDOGEN to disable further watchdog interrupts. Note that the first interrupt after the Watchdog Timer is enabled can occur anytime from 62.5 ms to 125 ms later. Each interrupt causes LCL\_ATN to be set, so that it is useful both with or without SMI support.

WDOGEN = 0 -  
Disable periodic interrupt.

WDOGEN = 1 -  
Enables a periodic interrupt to be generated every 125 ms.



**Bit 12 - WDOGST**, Watchdog Timer Interrupt Status

When WDOGST equals 1, LCL\_ATN has been set due to a Watchdog Timer Interrupt Request. WDOGST is cleared by writing a zero to it. The Watchdog Timer continues to run and will set WDOGST at 125 ms intervals. WDOGST is also cleared when WDOGEN is set to a zero. Writing a 1 to WDOGST has no effect.

**Bit 11 - PCS\_3M**, Programmable Chip Select 3 Mask

PCS\_3M is an extension to the register at Port Address D872H.

PCS\_3M = 0 -  
I/O accesses to the Programmable Chip Select 3 address range (see registers at Port Address 5C72H and 6C72H) may be observed as a source of activity by the system activity monitor.

PCS\_3M = 1 -  
I/O accesses to the Programmable Chip Select 3 are masked from being seen by the system activity monitor. Note that the setting of ENP\_CS3 in the register at Port Address 5C72H has no effect on I/O activity detection.

**Bit 10 - PCS\_2M**, Programmable Chip Select 2 Mask

PCS\_2M is an extension to the register at Port Address D872H.

PCS\_2M = 0 -  
I/O accesses to the Programmable Chip Select 2 address range (see registers at Port Address 5C72H and 6472H) are allowed to be observed as a source of activity by the system activity monitor.

PCS\_2M = 1 -  
I/O accesses to the Programmable Chip 2 Select are masked from being seen by the system activity monitor. Note that the setting of ENP\_CS2 in the register at Port Address 5C72H has no effect on I/O activity detection.

**Bit 09 - PC3\_TPE**, Programmable Chip Select 3 Trap Enable

PC3\_TPE = 0 -  
Trap not enabled

PC3\_TPE = 1 -  
An I/O trap will occur whenever an I/O read or write occurs at an address within the range covered by the third Programmable Chip Select (see registers at Port Address 5C72H and 6C72H). This trap occurs even if the ENP\_CS3 bit in the register at Port Address 5C72H is not set.

**Bit 08 - PC3\_TOE**, Programmable Chip Select 3 Timeout Enable

PC3\_TOE = 0 -  
Programmable Chip Select 3 timeouts are disabled and PC3\_TOS and PC3\_ADS are cleared.

PC3\_TOE = 1 -  
I/O access timeout for the third Programmable Chip Select I/O address range are enabled. The timeout count will be reset by I/O to the Programmable Chip Select 3 address range even if the ENP\_CS3 bit in the register at Port 5C72H is not set.

**Bit 07 - PC3\_TOS**, Programmable Chip Select 3 Timeout Status

PC3\_TOS is set to 1 when an I/O access timeout has occurred for the Programmable Chip Select 3 I/O address range. It can be polled by the SMI handler in determining the source of the SMI. PC3\_TOS is cleared when PC3\_TOE is cleared.

**Bit 06 - PC3\_ADS**, Programmable Chip Select 3 Activity Detect Status

PC3\_ADS can be polled by the SMI Handler to see if the Programmable Chip Select 3 I/O address range has been accessed since PC3\_TOS was set.

If PC3\_ADS is set, an I/O access has occurred since the inactivity timeout was triggered. The SMI Handler will ignore the timeout and restart the timeout counter.

PC3\_ADS is cleared when PC3\_TOE is cleared.



**Bits 05:01 - PC3\_TC4:0, Programmable Chip Select 3 Timeout Count**

PC3\_TC4:0, along with the timeout clock select PC3\_TCS (this register bit 0), determine the time period during which an I/O peripheral (selected by Programmable Chip Select 3) must not be accessed in order to be considered inactive. The timeout setting is determined as follows:

PC3\_TCS = 0 -  
 (Count in **PC3\_TC4-0**) x 4 seconds  
 Range: from 4 seconds to 2 minutes, 4 seconds  
 Error: -0, +2 seconds.

PC3\_TCS = 1 -  
 (Count in **PC3\_TC4-0**) x 40 seconds  
 Range: from 40 seconds to 20 minutes, 40 seconds  
 Error: -0, +20 seconds.

**Bit 00 - PC3\_TCS, Programmable Chip Select 3 Timeout Clock Select**

PC3\_TCS selects the clock to be used for the Programmable Chip Select 3 timeout counter.

PC3\_TCS = 0 -  
 A high-speed clock is used to obtain 4 second timing resolution for timeout periods of 2 minutes or less.

PC3\_TCS = 1 -  
 A low-speed clock is used to obtain 40 second timing resolution but a longer timeout period of over 20 minutes. See the description of PC3\_TC4:0 (this register bits 05:01) for more details.

**9.4 PROGRAMMABLE CS2 AND CS3 CONTROL REGISTER**

Port Address 5C72H - Read and Write

<b>15</b>	<b>14</b>	<b>13</b>	<b>12</b>	<b>11</b>	<b>10</b>	<b>09</b>	<b>08</b>
PCS 2L	ENP CS2	UMS K2	Prog. 2LM 2LM 2LM 2LM SK4 SK3 SK2 SK1	CS2 Lower Address Bits	MASK	2LM 2LM	SK0

<b>07</b>	<b>06</b>	<b>05</b>	<b>04</b>	<b>03</b>	<b>02</b>	<b>01</b>	<b>00</b>
PCS 3L	ENP CS3	UMS K3	Prog. 3LM 3LM 3LM 3LM SK4 SK3 SK2 SK1	CS3 Lower Address Bits	MASK	3LM 3LM	SK0

Signal Name	Default At RSTIN
All signals . . . . .	0

**Bit 15 - PCS\_2L, Programmable Chip Select 2 Location**

PCS\_2L = 0 -  
 The I/O device selected by Programmable Chip Select 2 is located on the expansion bus.

PCS\_2L = 1 -  
 The I/O device selected by Programmable Chip Select 2 is located on the RA0:7/ED0:7 bus.

**Bit 14 - ENP\_CS2, Enable Programmable Chip Select 2**

ENP\_CS2 = 0 -  
 The Programmable Chip Select 2 is not enabled.

ENP\_CS2 = 1 -  
 The Programmable Chip Select 2 is enabled.

**Bit 13 - UMSK2, Upper Address Bits Mask 2**

UMSK2 = 0 -  
 Bits A15:10 from the register at Port Address 6472H are ignored.

UMSK2 = 1 -  
 A15:10 from the register at Port Address 6472H are compared against CPU address Bits 15:10 when qualifying the Programmable Chip Select 2.



**Bits 12:08 - 2LMSK4:0, Programmable CS2 Lower Address Bits MASK4:0**

2LMSK4:0 bits allow individual qualification of the lower five address bits in the register at Port Address 6472H.

2LMSK4:0 = 0 -

The corresponding bit in the register at Port Address 6472H is ignored in the comparison. This allows address ranges of up to 32 bytes to be supported (2LMSK4:0 would all be zeroes), as well as unusual requirements such as odd addresses only.

2LMSK4:0 = 1 -

The corresponding bit in the register at Port Address 6472H is compared against that CPU address bit.

**Bit 07 - PCS\_3L, Programmable Chip Select 3 Location**

PCS\_3L = 0 -

The I/O device selected by Programmable Chip Select 3 is located on the expansion bus.

PCS\_3L = 1 -

The I/O device selected by Programmable Chip Select 3 is located on the RA0:7/ED0:7 bus.

**Bit 06 - ENPCS3, Enable Programmable Chip Select 3**

ENPCS3 = 0 -

The Programmable Chip Select 3 is not enabled.

ENPCS3 = 1 -

The Programmable Chip Select 3 is enabled.

**Bit 05 - UMSK3, Upper Address Bits Mask 3**

UMSK3 = 0 -

Bits A15:10 are ignored.

UMSK3 = 1 -

A15:10 in the register at Port Address 6C72H are compared with CPU address bits 15:10 when selecting Programmable Chip Select 3.

**Bits 04:00 - 3LMSK4:0, Programmable CS3 Lower Address Bits Mask**

3LMSK4:0 allow individual qualification of the lower five address bits in the register at Port Address 6C72H.

3LMSK4:0 = 0 -

The corresponding bit in the register at Port Address 6C72H is ignored in the comparison. This allows address ranges of up to 32 bytes to be supported (3LMSK4:0 would all be zeroes), as well as unusual requirements such as odd addresses only.

3LMSK4:0 = 1 -

The corresponding bit in the register at Port Address 6C72H is compared with that CPU address bit.

**9.5 PROGRAMMABLE CS2 ADDRESS REGISTER**

Port Address 6472H - Read and Write

<b>15</b>	<b>14</b>	<b>13</b>	<b>12</b>	<b>11</b>	<b>10</b>	<b>09</b>	<b>08</b>
PC2 A15	PC2 A14	PC2 A13	PC2 A12	PC2 A11	PC2 A10	PC2 A9	PC2 A8

<b>07</b>	<b>06</b>	<b>05</b>	<b>04</b>	<b>03</b>	<b>02</b>	<b>01</b>	<b>00</b>
PC2 A7	PC2 A6	PC2 A5	PC2 A4	PC2 A3	PC2 A2	PC2 A1	PC2 A0

<b>Signal Name</b>	<b>Default At RSTIN</b>
All signals . . . . .	0

**Bits 15:00 - PC2A15:00, Programmable Chip Select 2 Address**

PC2A15:00 determine the base address of the I/O device corresponding to Programmable Chip Select 2. The register at Port Address 5C72H provides the enable for Programmable Chip Select 2 and allows selective masking of some of the address bits.



**9.6 PROGRAMMABLE CS3 ADDRESS REGISTER**

Port Address 6C72H - Read and Write

<b>15</b>	<b>14</b>	<b>13</b>	<b>12</b>	<b>11</b>	<b>10</b>	<b>09</b>	<b>08</b>
PC3 A15	PC3 A14	PC3 A13	PC3 A12	PC3 A11	PC3 A10	PC3 A9	PC3 A8

<b>07</b>	<b>06</b>	<b>05</b>	<b>04</b>	<b>03</b>	<b>02</b>	<b>01</b>	<b>00</b>
PC3 A7	PC3 A6	PC3 A5	PC3 A4	PC3 A3	PC3 A2	PC3 A1	PC3 A0

**Bits 15:00 - PC3A15:00, Programmable Chip Select 3 Address**

PC3A15:00 determine the base address of the I/O device corresponding to the third Programmable Chip Select. The register at Port Address 5C72H provides the enable for Programmable Chip Select 3 and allows selective masking of some of the address bits.

<b>Signal Name</b>	<b>Default At RSTIN</b>
All signals .....	0



### 10.0 DIAGNOSTIC MODE

Two testing modes are provided for board testing. Three chip test modes are provided for chip testing.

#### I/O Pin Mapping Mode

The I/O Pin Mapping Mode provides the in-circuit tester for evaluating the connectivity of the WD8110/LV to the printed circuit board. Simultaneously asserting MASTER, MEMR, MEMW when A3 is low, A2 is high and RSTIN is asserted, causes the WD8110/LV to switch to I/O Mapping Mode. The WD8110/LV stays in this mode if RSTIN is de-asserted while MASTER, MEMR and MEMW are asserted. The WD8110/LV exits this mode when RSTIN is asserted while either MEMR, MEMW or MASTER is de-asserted, see Section 16.0.

#### Full Tristate Mode

Simultaneously asserting MASTER, MEMR and MEMW with A2 low and A3 high while RSTIN is asserted, causes all the output pins of the WD8110/LV to tristate and disables all the pullup and pulldown resistors. The WD8110/LV stays in this mode if RSTIN is de-asserted while MASTER, MEMR and MEMW are asserted. The outputs become active drivers when RSTIN is asserted with either MASTER, MEMR or MEMW de-asserted. This allows the tester to test for leakage current of the device.

#### Pullup and Pulldown Test Mode

Simultaneously asserting MASTER, MEMR, MEMW with A2 and A3 high while RSTIN is asserted, causes all the output pins of the WD8110/LV to become tristated and enables all the pullup and pulldown resistors. The WD8110/LV stays in this mode if RSTIN is de-asserted while MASTER, MEMR and MEMW are asserted. The outputs become active drivers when RSTIN is asserted while either MASTER, MEMR or MEMW is de-asserted. This allows the tester to test the pullup and pulldown resistors of the device.

#### VOH, VOL Test Mode

Simultaneously asserting MASTER, MEMR and MEMW with A2 and A3 low, and SMIRDY, EADS, and REFRESH high while RSTIN is asserted,

causes all bidirectional pins to become outputs. The WD8110/LV stays in this mode if RSTIN is de-asserted while MASTER, MEMR and MEMW are asserted.

### 10.1 DIAGNOSTIC REGISTER

Port Address 9872H - Read and Write

15	14	13	12	11	10	09	08
CSC 1 0		IBM_2X	CLK_TST	REF_MAS	AUT_20	RSVD	CLK_SW

07	06	05	04	03	02	01	00
LP	DS	DIAG					

Signal Name	Default At RSTIN
CSC(1:0)	00
IBM_2X	0
CLK_TST	0
REF_MAS	0
AUT_A20	0
Bit 09	None
CLK_SW	0
LP	None
DS	0
DIAG	0

#### Bits 15:14 - CSC(1:0), Core Strength Control

- CSC 1 0
- 0 0 Full strength 3V drivers
- 0 1 Medium strength 3V drivers
- 1 0 Illegal
- 1 1 Low strength 3V drivers

#### Bit 13 - IBM\_2X,

IBM\_2X = 0 - IBM triple clock protocol is used for speed change.

IBM\_2X = 1 - IBM double clock protocol is used for speed change.

#### Bit 12 - CLK\_TST, Clock Test

Diagnostics for factory use only.



**Bit 11 - REF\_MAS, Bus Master Refresh**

Additional external logic may be required to support the bus master initiated refresh.

REF\_MAS = 0 - Does not support bus master initiated refresh.

REF\_MAS = 1 - Supports bus master initiated refresh.

**Bit 10 - AUT\_A20, Automatic Gate A20**

Normally, the Alternate Gate A20 signal from Port 092H is OR'ed with the 8042 Gate A20.

When the AUT\_A20 bit is set, the Alternate Gate A20 control bit automatically changes state to match the keyboard's Gate A20. Bit 1 (ALT\_A20G) of Port 092H is set or reset according to the way 8042 is programmed. When the keyboard data port is read using the D1 keyboard controller command, the state of the Gate A20 status bit is replaced by that of AUT\_A20.

The state of the A20 gating signal is available on PMC output 6 by reading Port 7072H (see Table 8-1).

AUT\_A20 = 0 - Normal Alternate Gate A20

AUT\_A20 = 1 - Automatic Gate A20

**Bit 09 - Reserved**

**Bit 08 - CLK\_SW, Clock Switch**

The short clock switch reset pulse width is 1  $\mu$ s plus 16 CPUCLKs. The 80486 processor requires a 1 ms clock switch. (See Section 4.2.3)

CLK\_SW = 0 - Short clock switch reset width.

CLK\_SW = 1 - 1 ms clock switch reset width.

**Bit 07 - LP, Low Power Mode**

LP = 0 - Low power features disabled.

LP = 1 - Low power features enabled.

**Bit 06 - DS, Diagnostic Signal**

DS represents the state of the diagnostic signal selected by DIAG.

**Bits 05:00 - DIAG, Diagnostic Function/Speaker Disable**

DIAG selects the diagnostic function to be performed. The DS bit represents the state of the signal selected.

DIAG = 000000 - Diagnostic output disabled, speaker normal.

DIAG = 000001 - Diagnostic output disabled, speaker disabled. This is a method of disabling the speaker without hardware gates.

DIAG = 000010:111111 - Reserved

**10.2 DELAY LINE DIAGNOSTIC REGISTER**

Port Address A072H - Read and Write

15	14	13	12	11	10	09	08

07	06	05	04	03	02	01	00
LAT	DL	DELAY					

Signal Name	Default At RSTIN
Bits 15:08	None
LAT	0
DL	0
DELAY	None

**Bit 07 - LAT, Latch Output Strength**

The delay line count value (bits 05:00) is used to control the output buffer strength

The output buffer strength is normally adjusted every time the delay count changes. LAT may be used to lock the buffer strength at its present value.

LAT = 0 - The output buffer strength is adjusted when the delay count changes.

LAT = 1 - The output buffer strength is locked at its present value.





**Bit 06 - DL, Delay Freeze**

The internal self tuning delay line normally is updated by one delay element during every refresh cycle. For test purposes, the delay may be forced to stop generating calibration cycles. When delay line updates are frozen, the tester may write different delay line counter values in bits 05:00.

- DL = 0 - Normal delay line operation
- DL = 1 - Freeze delay line

**Bits 05:00 - DELAY, Delay Counter Value**

The delay line counter value is used to control the output buffer strength.

This register may be written to when DL (bit 06) is set to one.

**10.3 TEST ENABLE REGISTER**

Port Address A872H - Bits 15:10 Read only  
 Bits 09:00 Read and Write

The test function bits 07:05 are for factory use only.

15	14	13	12	11	10	09	08
Version				Reserved		IRQ9_EN	TDL

07	06	05	04	03	02	01	00
OLD_HLDA	BFC <sub>3</sub>	BIST <sub>3</sub>	DRAM_DRV	EN_PLD	RSVD	EN_LVL	

Signal Name	Default At RSTIN
15, 14, 11:00	0
13, 12	1

**Bits 15:12 - VERSION NUMBER**

- 0000 - Version A
- 0001 - Version B
- 0011 - Version C

**Bits 11:10 - Reserved**

**Bit 09 - IRQ9EN, IRQ9 Enable**

IRQ9EN is used to mask IRR9 and ISR9 so that the System Activity Monitor does not detect these signals. This prevents vertical retrace from being a source of activity for SAM.

- IRQ9EN = 0 - Masking of IRR9 and ISR9 enabled
- IRQ9EN = 1 - Masking disabled

**Bit 08 - TDL, Test Delay Line.**

**Bit 07 - OLD\_HLDA,**

Test bit for factory use only. Must be set to 0.

**Bit 06 - BFC3,**

DMA Register file test bit, for factory use only. Must be set to 0.

**Bit 05 - BIST3,**

DMA Register file test bit, for factory use only. Must be set to 0.

**Bits 04:03 - DRAM\_DRV, DRAM Driver Strength**

The DRAM address driver strength may be adjusted for capacitive load. When adjusted properly, output overshoot and undershoot is minimized while still meeting worst case DRAM timing. The DRAM RAS, CAS and address buffers also automatically compensate for variations in temperature, voltage and manufacturing process.

**DRAM\_DRV**

04 03

- 0 0- Full strength DRAM address drive, up to 450 pF.
- 0 1- Low strength DRAM address drive, up to 100 pF.
- 1 0- Medium strength DRAM address drive, up to 180 pF.
- 1 1- High strength DRAM address drive, up to 260 pF.

**Bit 02 - EN\_PLD, Enable Pulldown**

EN\_PLD = 0 - Pulldown resistors are not enabled.

EN\_PLD = 1 - 40K to 100K internal pulldown resistors will be enabled during processor power down or full power down on processor address lines A23:00, and on processor data lines D15:00.

**Bit 01 - RSVD, Reserved**



**Bit 00 - EN\_LVL, Enable Level**

The Interrupt Controller may be programmed to support Level Sensitive Mode for diagnostic adapters which may need to test this capability. See Section 5.5.2.1.

EN\_LVL = 0 -  
Level Sensitive Interrupt Mode in the 8259 Interrupt Controller is not supported. L\_T (bit 3) at Port 020H has no effect.

EN\_LVL = 1 -  
Level Sensitive Interrupt Mode in the 8259 Interrupt Controller is supported. L\_T (BIT 3) at Port 020H now controls the selection of edge-sensed or level-sensed interrupts.

**MED SLOW**

0	0	Output buffers are set to low strength (fast WD8110/LV).
0	1	Invalid
1	0	Output buffers are set to medium strength (medium speed WD8110/LV).
1	1	Output buffers are set to full strength (slow WD8110/LV).

**10.4 TEST STATUS REGISTER**

Port Address DC72H - Read only  
For factory use only.

15	14	13	12	11	10	09	08
Delay Line Status CAL MED SLOW			DLT6	DLT5	DLT4	DLT3	DLT2

07	06	05	04	03	02	01	00
DLT1	DLR0	BF34	BF33	BF32	BF31	BF30	BC

Signal Name	Default At RSTIN
All signals	None

**Bit 15 - CAL, Calibration**

CAL = 0 -  
Internal delay line has not completed initial calibration.

CAL = 1 -  
Internal delay line has completed initial calibration.

**Bits 14:13 - MED, SLOW, Medium and Slow**

These bits provide information regarding the output buffer strength.

**Bits 12:06 - DLT6:DLT0,**

These bits provide information about internal nodes and are for test purposes only. Their state is dependent upon the test mode selected and the speed of the WD8110/LV.

**Bits 05:01 - BF34:BF30,**

These bits provide information about internal nodes and are for test purposes only. Their state is dependent upon the test mode selected and the speed of the WD8110/LV.

**Bit 00 - BC**

This bit provides information about internal nodes and is for test purposes only. Its state is dependent upon the test mode selected and the speed of the WD8110/LV.



### 11.0 MISCELLANEOUS REGISTERS

This section describes the two General Purpose registers and two Scratch Pad registers.

#### 11.1 GENERAL PURPOSE I/O EXPANSION REGISTERS

In systems using a CPU with a built in numeric processor, or where real estate constraints are limited, support for a numeric processor by the WD8110 is not required. For these systems, the WD8110 provides the addition of up to 16 extra general purpose inputs and outputs on the system board by multiplexing the strobes  $\overline{\text{GPREGWR}}$  with  $\text{NPBUSY}$  and  $\overline{\text{GPREGRD}}$  with  $\text{EXBUSY}$  on pins 94 and 206.

$\overline{\text{GPREGWR}}$  and  $\overline{\text{GPREGRD}}$  are similar to the AT Bus write and read strobes qualified by a programmable I/O location. Transfers using  $\overline{\text{GPREGWR}}$  or  $\overline{\text{GPREGRD}}$  are 16-bits wide and use 16-bit timing.  $\overline{\text{GPREGRD}}$  should be connected directly to the enable input of one or two 74X244 type devices, making it possible to read status from the AT Bus SD15:0.  $\overline{\text{GPREGWR}}$  should be connected directly to the clock input of one or two 74X374 type devices so that control bits can be clocked in from the AT Bus SD15:0.

To support hibernation, the last value written using  $\overline{\text{GPREGWR}}$  is shadowed in the register at Port Address 3872H.

#### 11.1.1 General Purpose I/O Control Register

Port Address 9472H - Read and Write

This register provides the four byte address range where the General Purpose Register will reside, as well as two control bits for enabling the General Purpose register and pullup resistors for  $\overline{\text{GPREGWR}}$  and  $\overline{\text{GPREGRD}}$ .

15	14	13	12	11	10	09	08
General Purpose Register Address							
GPR_A15	GPR_A14	GPR_A13	GPR_A12	GPR_A11	GPR_A10	GPR_A9	GPR_A8

07	06	05	04	03	02	01	00
General Purpose Register Address						GPR_EN	GPR_PUR
GPR_A7	GPR_A6	GPR_A5	GPR_A4	GPR_A3	GPR_A2		

<b>Signal Name</b>	<b>Default At RSTIN</b>
All signals . . . . .	0

**Bits 15:02 - GPR\_A(15:2),** General Purpose Register I/O Address

These bits provide the four byte address range where  $\overline{\text{GPREGWR}}$  and  $\overline{\text{GPREGRD}}$  will go active.

**Bit 01 - GPR\_EN,** General Purpose Register Enable

GPR\_EN = 0 -  $\overline{\text{GPREGWR}}$  and  $\overline{\text{GPREGRD}}$  will not be asserted.

GPR\_EN = 1 -  $\overline{\text{GPREGWR}}$  and  $\overline{\text{GPREGRD}}$  will be asserted for I/O cycles where the I/O address matches that programmed in GPR\_A(15:2).

**Bit 00 - GPR\_PUR,** General Purpose Register Pullup Resistor

GPR\_PUR = 0 - A high value pullup resistor is enabled on pins 94 and 206 for  $\overline{\text{GPREGWR}}$  and  $\overline{\text{GPREGRD}}$ .

GPR\_PUR = 1 - The high value pullup resistors are not enabled on pins 94 and 206 for  $\overline{\text{GPREGWR}}$  and  $\overline{\text{GPREGRD}}$ .



**11.1.2 General Purpose I/O Write Shadow Register**

Port Address 3872H - Read only

This register is used to support hibernation. The last data written to external latches by GPREGWR is written to this register also. This data can be read back to assist in restoring the state of the system before hibernation.

15	14	13	12	11	10	09	08
General Purpose Register Write Data Shadow							
GPW D15	GPW D14	GPW D13	GPW D12	GPW D11	GPW D10	GPW D9	GPW D8

07	06	05	04	03	02	01	00
General Purpose Register Write Data Shadow							
GPW D7	GPW D6	GPW D5	GPW D4	GPW D3	GPW D2	GPW D1	GPW D0

<b>Signal Name</b>	<b>Default At RSTIN</b>
All signals . . . . .	0

**Bits 15:00 - GPW\_D(15:0), General Purpose Register Write Data Shadow**

The last data written to external latches by GPREGWR.

**11.2 SCRATCH PAD REGISTERS**

The two Scratch Pad Registers provide a means of communicating status or requests between software routines. The primary intent is for communication between the SMI handler code and the routine that invokes it. The registers perform no function other than to hold the last value written to them.

Port Address C472H - Read and Write

15	14	13	12	11	10	09	08
Scratch Pad A							
SPA_15	SPA_14	SPA_13	SPA_12	SPA_11	SPA_10	SPA_09	SPA_08

07	06	05	04	03	02	01	00
Scratch Pad A							
SPA_07	SPA_06	SPA_05	SPA_04	SPA_03	SPA_02	SPA_01	SPA_00

<b>Signal Name</b>	<b>Default At RSTIN</b>
All signals . . . . .	0

**Bits 15:00 - SPA(15:00), Scratch Pad A (15:00)**

These bits contain the last value written to them. They perform no other function.

Port Address CC72H - Read and Write

15	14	13	12	11	10	09	08
Scratch Pad B							
SPB_15	SPB_14	SPB_13	SPB_12	SPB_11	SPB_10	SPB_09	SPB_08

07	06	05	04	03	02	01	00
Scratch Pad B							
SPB_07	SPB_06	SPB_05	SPB_04	SPB_03	SPB_02	SPB_01	SPB_00

<b>Signal Name</b>	<b>Default At RSTIN</b>
All signals . . . . .	0

**Bits 15:00 - SPB(15:00), Scratch Pad B (15:00)**

These bits contain the last value written to them. They perform no other function.



## 12.0 VIRUS PROTECTION

This section provides only an overview of the benefits of Western Digital's Immunizer feature and is not intended to describe complete control of the virus protection offered by the Immunizer.

### 12.1 INTRODUCTION

Intel introduced the concept of System Management Mode (SMM) and it is now offered by their latest processors as well as AMD and Cyrix. SMM is designed to aid the design of Power Managed Laptop Systems. A System Management Interrupt (SMI) causes the complete state of the processor to be saved in a reserved area of memory called SMM-RAM. The processor can then be powered off to save power and, upon receipt of a wakeup command, the complete state of the processor is restored and the system resumes operation where it left off. The SMM-RAM is allocated out of main memory and is inaccessible to application programs. When an SMI occurs, the SMM-RAM is mapped into some range of Real Mode address space and the system begins executing out of SMM-RAM. Typical sources of SMI interrupts are the System Activity Monitors (SAM) offered by Western Digital's line of laptop System Controllers, WD76C10A, WD7855, and for 32 bit systems, the WD8110/LV.

**IO Trapping** - IO Trapping is a feature of Western Digital System Controllers that allows peripherals to remain in the powered down state until they are called into use. When an IO is accessed, the System Controller catches the IO address and data, powers up the device to be accessed and completes the IO cycle. The WD8110/LV has three programmable Chip Selects which use the IO Trapping feature, as well as dedicated I/O traps for the ATA/IDE hard drive interface for virus protection.

**ATA/IDE Hard Disk Interface** - This specification defines the IO instructions for data transfers between the hard disk and the System Controller. The Command Port is at 1F7H. The write commands are: 30H, Write Sector; C5H, Write Multiple; and E8H, Write Buffer.

### 12.2 BENEFITS OF THE IMMUNIZER

Immunizer can detect and protect against unknown viruses and Trojan Horse attacks. Scanners can only find known viruses that have already attacked other systems. Unlike Terminate and Stay Resident (TSR) type solutions, Immunizer does not require any resident memory. Some products are being marketed that operate similar to Immunizer but reside in conventional memory and therefore reduce system resources. SMM-RAM is located at the very top of Extended Memory and requires only 64K of memory so that a system with 8M of memory is virtually unimpacted. Also, these TSR solutions are easily defeated and can be removed or disabled without the users knowledge.

There is no performance degradation. Immunizer determines protection violations in parallel with the disk seek operations and no real time is required to detect virus attacks. Immunizer does not require any additional hardware. Some disk controller cards are being marketed that are similar to the Immunizer, but these solutions require the user to purchase additional hardware and dedicates a card slot to this new controller.

### 12.3 USING IMMUNIZER

When Immunizer is enabled it is completely transparent until the system performs an IO write to the Integrated Drive Electronics (IDE) disk. IDE disk writes are detected by the IO Trapping facility of the WD8110 System Controller. The following commands to the IDE Control Port, 1F7H causes an SMI to occur; 30:33H, 3CH, 50H, C5:C6H, CA:CBH, C7H and CD:CFH.

Once the SMI Interrupt has occurred, the CPU switches to the SMM Mode. The Immunizer code, located in SMM-RAM, compares the contents of locations 1F4H (cylinder low), 1F3H (sector number) and 1F2H (sector count) with Protected File Bit Map. If the contents of IDE Registers indicate that the current write command will cause data in one of the protected clusters to be altered, an Immunizer Alert is issued.



**13.0 DC ELECTRICAL SPECIFICATIONS**

This section provides the DC Operating Characteristics for the WD8110/LV. The parameters for the WD8110LV at 3.3 volts are marked with an \*.

**13.1 MAXIMUM RATINGS**

Supply Voltage (V <sub>DD</sub> ) with respect to V <sub>SS</sub> (ground)	V <sub>DD</sub> - V <sub>SS</sub> ≤ 7.0 Volts
Voltage on any pin with respect to V <sub>SS</sub> (ground)	V <sub>SS</sub> -0.3 Volts to V <sub>DD</sub> +0.3 Volts
Operating Temperature	0°C (32°F) to 70°C (158°F)
Storage Temperature	-40°C (-40°F) to 125°C (257°F)
Power Dissipation	600 mW

**NOTE**

Maximum limits indicate where permanent device damage occurs. Continuous operation at these limits is not intended and should be limited to those conditions specified in the DC Operating Characteristics.

**13.2 DC OPERATING CHARACTERISTICS**

TA = 0°C (32°F) to 70°C (158°F)  
 V<sub>DDAT</sub> = +5V ±.25V (5%) for WD8110  
 V<sub>DD</sub> = +5V ±.25V (5%)  
 V<sub>DD</sub> = 3.3V ±.3V for WD8110LV

Values marked with an \* are for 3.3 volt operations.

SYMBOL	CHARACTERISTIC	MIN	MAX	UNIT	CONDITIONS
IIL	Input Leakage		± 10	µA	V <sub>in</sub> = .4 to V <sub>DD</sub>
IOZ	Tristate and Open Drain Output Leakage		± 10	mA	V <sub>out</sub> = .4 to V <sub>DD</sub>
VIH	Input High Voltage	2.0		V	
VIL	Input Low Voltage		.8	V	
VIH	$\overline{\text{RSTIN}}$ Input High Voltage	V <sub>DD</sub> -0.5 -0.3*		V	
VIL	$\overline{\text{RSTIN}}$ Input Low Voltage		0.5 0.3*	V	
ICC	Supply Current		200	mA	Inputs at 2.0V Inputs at 5.0V Outputs Open, CPUCLK = 25 MHz
			140	mA	
			240	mA	
			180	mA	
ICCAT	Supply Current		12	mA	Inputs at 2.0V Inputs at 5.0V
			8	mA	
ICCSB	Typical Supply Current, Power Down Mode for WD8110/LV		.5	mA	Typical, CPUCLK Off, CLK14 = 32 KHz

**TABLE 13-1. DC OPERATING CHARACTERISTICS**



**FOR PINS WITH INTERNAL PULLUPS:**

MASTER, IOCK, IOCS16, MEMCS16, ZEROWS, IOCHRDY, PDREF

SYMBOL	CHARACTERISTIC	MIN	MAX	UNIT	CONDITIONS
IIL	Input Pullup Current	-39 -13*	-130 -52*	μA	Not suspend and resume mode

**TABLE 13-1. DC OPERATING CHARACTERISTICS (Continued)**

M/IO, NPERR, NPBUSY, NPRST, CPURES, ADS, D/C, W/R

SYMBOL	CHARACTERISTIC	MIN	MAX	UNIT	CONDITIONS
IIL	Input Pullup Current	-39 -13*	-130 -52*	μA	Not processor power down or suspend mode

**TABLE 13-1. DC OPERATING CHARACTERISTICS (Continued)**

IOCHRDY, ZEROWS, IOCS16, MEMCS16, MASTER, PDREF, REFRESH, SBHE, IOR, IOW, MEMR, MEMW

SYMBOL	CHARACTERISTIC	MIN	MAX	UNIT	CONDITIONS
IIL	Input Pullup Current	-39 -13*	-130 -52*	μA	Not suspend mode

**TABLE 13-1. DC OPERATING CHARACTERISTICS (Continued)****FOR PINS WITH INTERNAL PULLDOWNS:**

A31, A29, A(27:2), D(31:0)

SYMBOL	CHARACTERISTIC	MIN	MAX	UNIT	CONDITIONS
IIL	Input Pulldown Current	-39 -13*	-130 -52*	μA	Processor power down or suspend mode

**TABLE 13-1. DC OPERATING CHARACTERISTICS (Continued)****FOR OUTPUTS:**

DACKEN, D(15:00), READY, CPURES, HOLDR, INTRQ, A(23:00), NMI, RAS(4:0), CAS(3:0), W/R, CSEN, LOWMEG, A20GATE, KEN, FLUSH, SMI,

SYMBOL	CHARACTERISTIC	MIN	MAX	UNIT	CONDITIONS
VOH	Output High Voltage	V <sub>DD</sub> - .8		V	IO <sub>UT</sub> = -100 μA
VOH	Output High Voltage	2.4		V	IO <sub>UT</sub> = -2 mA / -1mA*
VOL	Output Low Voltage		.4	V	IO <sub>UT</sub> = 2 mA / 1.5 mA*

**TABLE 13-1. DC OPERATING CHARACTERISTICS (Continued)**

## FOR OUTPUTS:

MXCTL2:0

SYMBOL	CHARACTERISTIC	MIN	MAX	UNIT	CONDITIONS
VOH	Output High Voltage	V <sub>DD</sub> -.8		V	IOUT = -100 $\mu$ A
VOH	Output High Voltage	2.4		V	IOUT = -3 mA / -2 mA*
VOL	Output Low Voltage		.4	V	IOUT = 3 mA / -2 mA*

TABLE 13-1. DC OPERATING CHARACTERISTICS (Continued)

## FOR OUTPUTS:

IOR, IOW, MEMR, MEMW, AEN, SYSCLK, BALE, LA20, SA0, SA1, SBHE

SYMBOL	CHARACTERISTIC	MIN	MAX	UNIT	CONDITIONS
VOH	Output High Voltage	2.4		V	IOUT = -3 mA / -2 mA*
VOL	Output Low Voltage		.5	V	IOUT = 24 mA / -12 mA*

TABLE 13-1. DC OPERATING CHARACTERISTICS (Continued)

## FOR OUTPUTS:

SD(15:0)

SYMBOL	CHARACTERISTIC	MIN	MAX	UNIT	CONDITIONS
VOH	Output High Voltage	2.4		V	IOUT = -3 mA / -2 mA*
VOL	Output Low Voltage		.5	V	IOUT = 17 mA / -12 mA*

TABLE 13-1. DC OPERATING CHARACTERISTICS (Continued)

## FOR OUTPUTS:

REFRESH, IOCHRDY

SYMBOL	CHARACTERISTIC	MIN	MAX	UNIT	CONDITIONS
VOL	Output Low Voltage		.5	V	IOUT = 24 mA

TABLE 13-1. DC OPERATING CHARACTERISTICS (Continued)

## FOR OUTPUTS:

RA(11:4), RA3A, RA3B, RA(2:0)

SYMBOL	CHARACTERISTIC	MIN	MAX	UNIT	CONDITIONS
VOH	Output High Voltage	2.4		V	IOUT = -35 mA / -14 mA*
VOL	Output Low Voltage		0.5	V	IOUT = 35 mA / 27 mA*

TABLE 13-1. DC OPERATING CHARACTERISTICS (Continued)





## 14.0 AC OPERATING CHARACTERISTICS

This section provides the AC Operating Characteristics for the WD8110/LV. The AC Operating Characteristics are divided into three major categories: Memory Timing (Section 14.1), AT Bus Timing (Section 14.2) and Processor Timing (Section 14.3).

Table 14-1 lists the timing tables and figures, and their section location.

TABLE NUMBER	FIGURE NUMBER	TITLE	SECTION
14-3		5 Volt WD8110/LV Timing	14.1
	14-1	33 MHz, 3-2-2-2 DRAM Read Cycle	
	↓		
	14-6	Static Column Mode, 3-1-1-1 DRAM Read Cycle	
	14-7	Page Mis, DRAM Write Cycle	
14-4	↓		14.2.1
	14-16	Static Column Mode, 4-2-2-2 Page Hit Cycle	
		CPU Initiated AT Bus Cycles	
14-5	14-17	AT Bus I/O or Memory Read: 8-Bit, Default Timing	14.2.2
	↓		
	14-26	AT Bus I/O or Memory Write: 16-Bit, Default Timing	
		DMA Cycles	
14-6	14-27	Basic DMA Cycle, Default Timig	14.2.3
	14-28	DMA Cycle, 8-Bit I/O to On-board Memory	
	14-29	DMA Cycle, On-board Memory to 8-Bit I/O	
14-7		AT Bus Master Cycle	14.2.4
	14-30	AT Bus Master, Bus Acquisition/Release	
	14-31	AT Bus Master, Write to On-board Memory	
14-8	14-32	AT Bus Master, Read from On-board Memory	14.3
		AT Bus Refresh Cycle, Default Timing	
	14-33	AT Bus Refresh Cycle, Default Timing	
14-9	14-34	Multiple Bus Master Write Cycle, Cache Invalidation	14.3
	14-35	Multiple Bus Master Read Cycles, Interleave On	
		80386SX CPU Timing	
14-9	14-36	CPURES And NPRST During Power Up - 2X CPU Mode	14.3
	↓		
	14-40	Latching BUSYCPU When An Error Occurs And Clearing It With A Write To Port F0	
14-9		WD8110/LV SMI Timing	14.3
	14-41	I/O Trap Cycle With 386DXLV	

TABLE 14-1. TIMING FIGURE/TABLE NUMBERS



SIGNAL	LOAD	SIGNAL	LOAD	SIGNAL	LOAD
<u>SMI</u>	50 pF	<u>REFRESH</u>	200 pF	<u>SMIRDY</u>	50 pF
<u>KEN</u>	50 pF	<u>A20GATE</u>	50 pF	<u>MDEN</u>	50 pF
<u>CPURES</u>	50 pF	<u>NPRST</u>	50 pF	<u>MDIR</u>	50 pF
<u>W/R</u>	50 pF	<u>NMI</u>	50 pF	<u>DRMWR</u>	400 pF
<u>MXCTL(2:0)</u>	50 pF	<u>DACKEN</u>	50 pF	<u>CSEN</u>	50 pF
<u>LOWMEG</u>	50 pF	<u>SPKR</u>	50 pF	<u>READY486</u>	50 pF
<u>HOLDR</u>	50 pF	<u>INTRQ</u>	50 pF	<u>BRDY486</u>	50 pF
<u>BUSYCPU</u>	50 pF	<u>EPEREQ</u>	50 pF	<u>BS16</u>	50 pF
<u>CPUCLK</u>	70 pF	<u>SYCLK</u>	75 pF	<u>ROMBA(18:16)</u>	50 pF
<u>SD(15:0)</u>	200 pF	<u>D(15:00)</u>	100 pF	<u>IOW</u>	200 pF
<u>LBCLK</u>	50 pF	<u>MEMW</u>	200 pF	<u>IOR</u>	200 pF
<u>LA20</u>	200 pF	<u>MEMR</u>	200 pF	<u>AEN</u>	200 pF
<u>BALE</u>	200 pF	<u>SA0, SA1</u>	200 pF	<u>RA(11:00)</u>	450 pF
<u>RAS(4:0)</u>	150 pF	<u>SBHE</u>	200 pF	<u>EADS</u>	50 pF
<u>CAS0(3:0)</u>	200 pF	<u>A31, A29</u>	100 pF		
<u>CAS1(3:0)</u>	200 pF	<u>A(27:2)</u>	100 pF		

TABLE 14-2. SIGNAL LOADING



**14.1 MEMORY TIMING**

This section provides the WD8110/LV 5 volt and 3.3 volt timing parameters.

SYMBOL	CHARACTERISTIC	MAX 25 MHz	MAX 33 MHz
T200	CPU Address A(31:2) to DRAM Address RA(11:0) @ 450 pF @ 350 pF @ 180 pF	33 ns	28 ns
		30 ns	25 ns
		26 ns	21 ns
T201	CPUCLK edge to CAS falling edge @ 75 pF @ 150 pF @ 200 pF	22 ns	17 ns
		24 ns	19 ns
		25 ns	20 ns
T202	CPUCLK rising edge to Cas rising edge @ 75 pF @ 150 pF @ 200 pF	23 ns	18 ns
		25 ns	20 ns
		26 ns	21 ns
T203	CPU Data D31:1 to Parity Data DP3:0 valid for 386 mode only	25 ns	20 ns
T204	CPUCLK rising edge to RA3A, RA3B RAM address @ 260 pF @ 108 pF @ 100 pF	33 ns	28 ns
		29 ns	24 ns
		27 ns	22 ns
T205	CPUCLK rising edge to RAS(4:0) falling edge @ 150 pF @ 75 pF	22 ns	18 ns
		20 ns	16 ns
T206	CPUCLK rising edge to $\overline{\text{DRAMWR}}$ falling edge @ 450 pF @ 350 pF	29 ns	25 ns
		27 ns	23 ns
T207	CPUCLK rising edge to BRDY486 valid delay	23 ns	18 ns
T208	CPUCLK rising edge to RDY486 valid time	23 ns	18 ns

**TABLE 14-3. 5 VOLT AND 3.3 VOLT WD8110/LV TIMING**

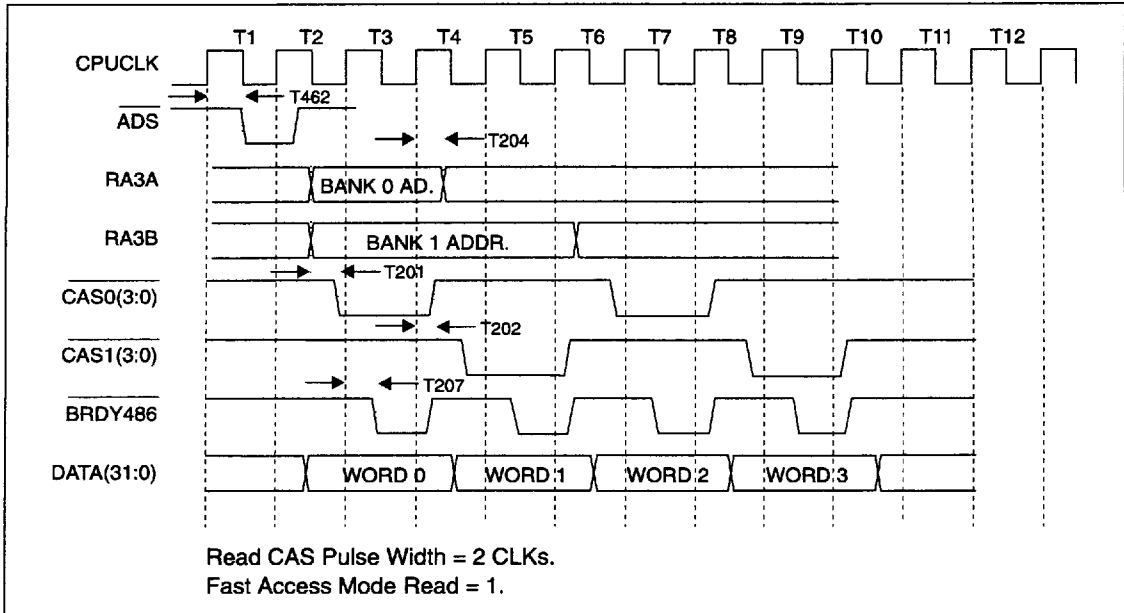


FIGURE 14-1. 33 MHz, 3-2-2-2 DRAM READ CYCLE - INTERLEAVED

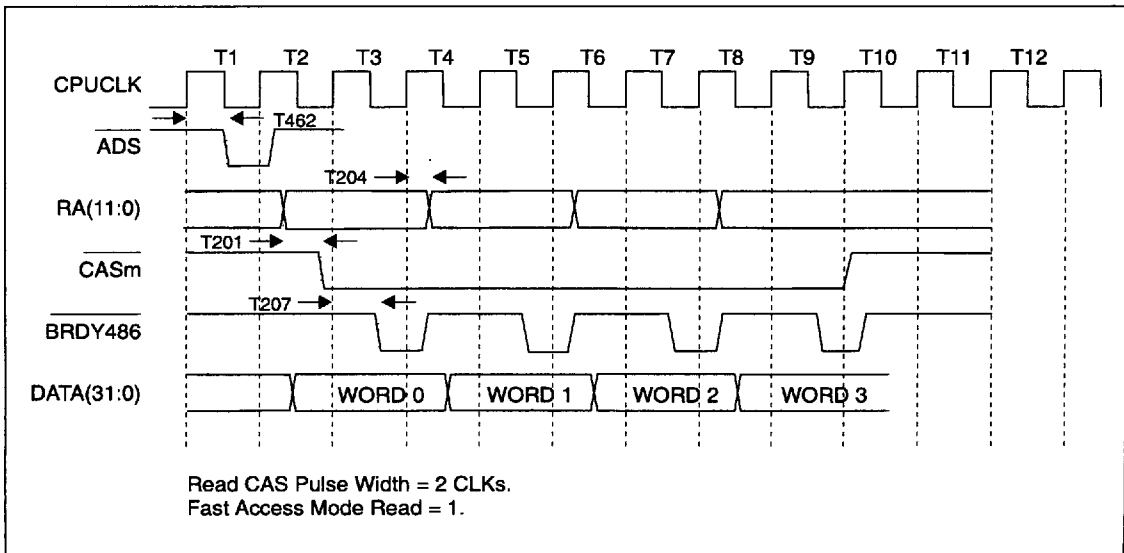


FIGURE 14-2. STATIC COLUMN MODE, 3-2-2-2 DRAM READ CYCLE



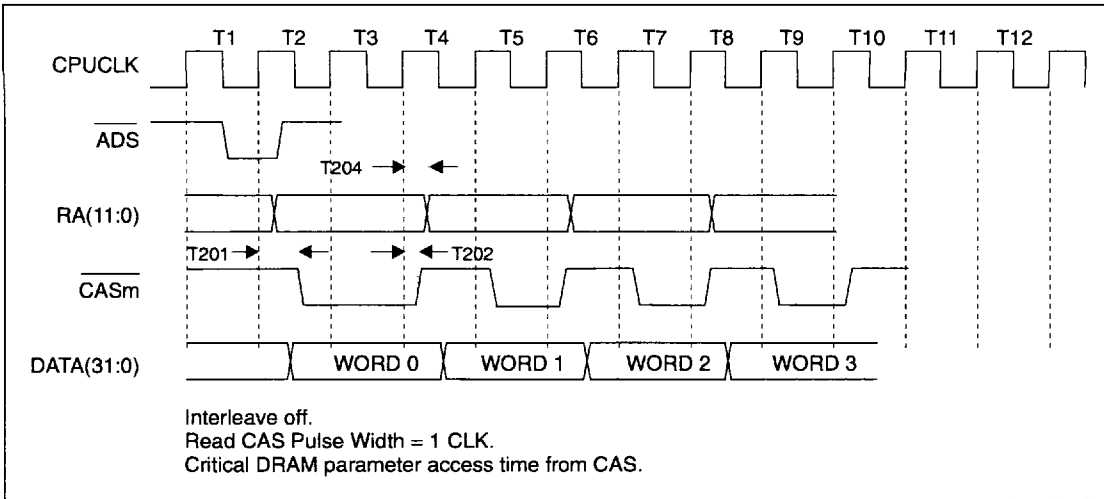


FIGURE 14-3. PAGE MODE, 3-2-2-2 DRAM READ CYCLE - NON-INTERLEAVED

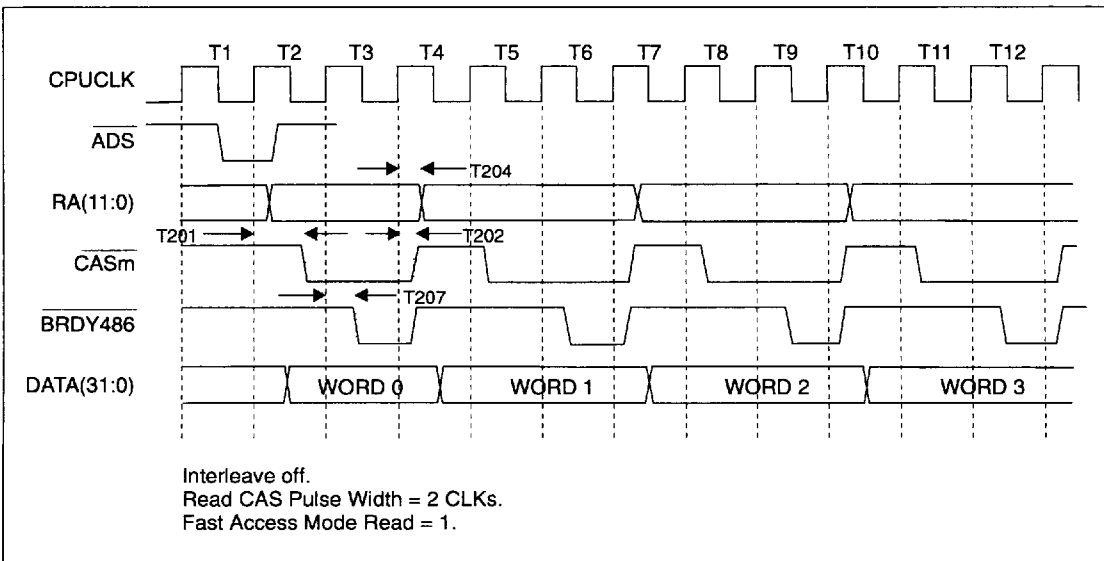


FIGURE 14-4. PAGE MODE, 3-3-3-3 DRAM READ CYCLE - NON-INTERLEAVED



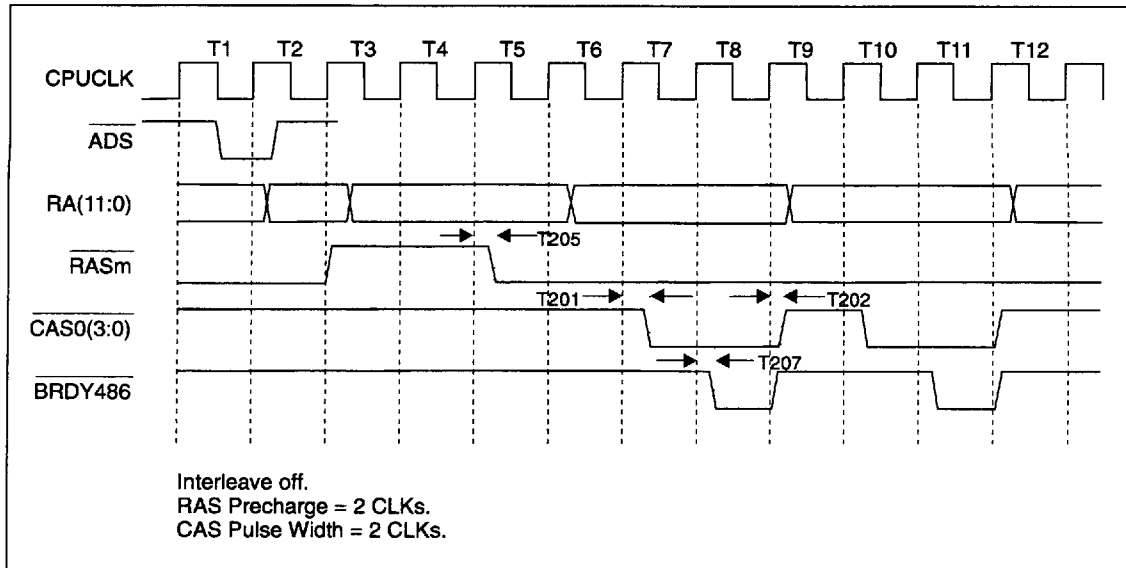


FIGURE 14-5. PAGE MISS, 8-3-3-3 DRAM READ CYCLE

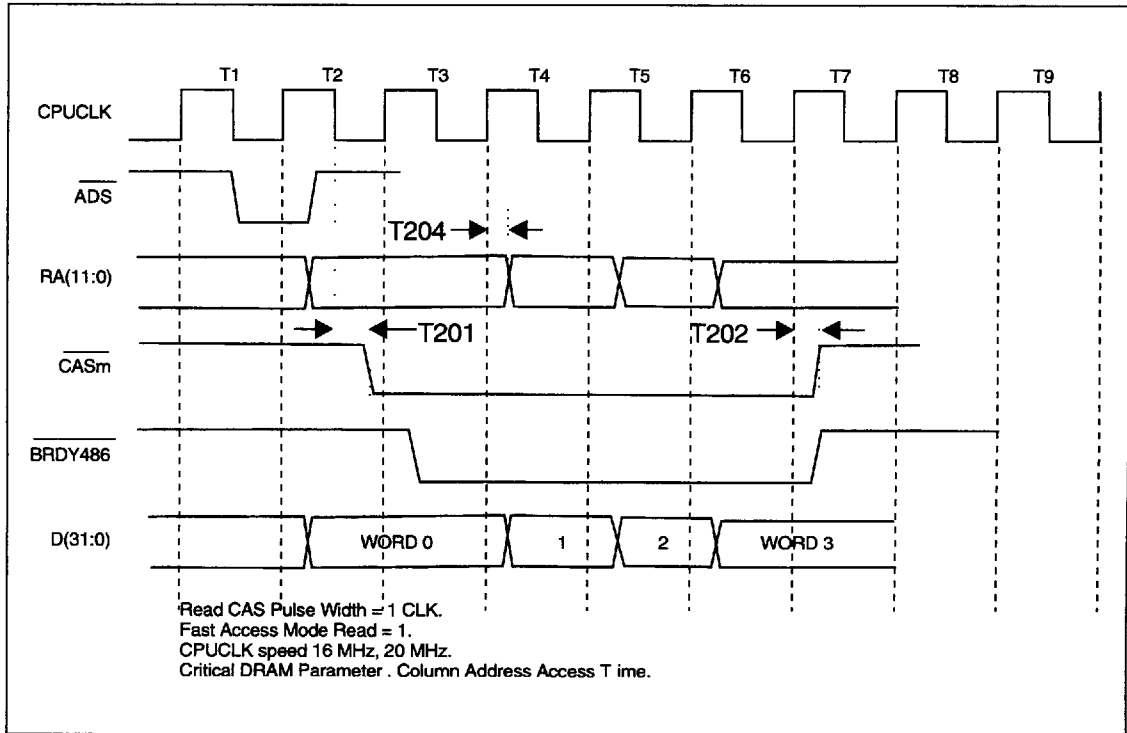


FIGURE 14-6. STATIC COLUMN MODE, 3-1-1-1 DRAM READ CYCLE



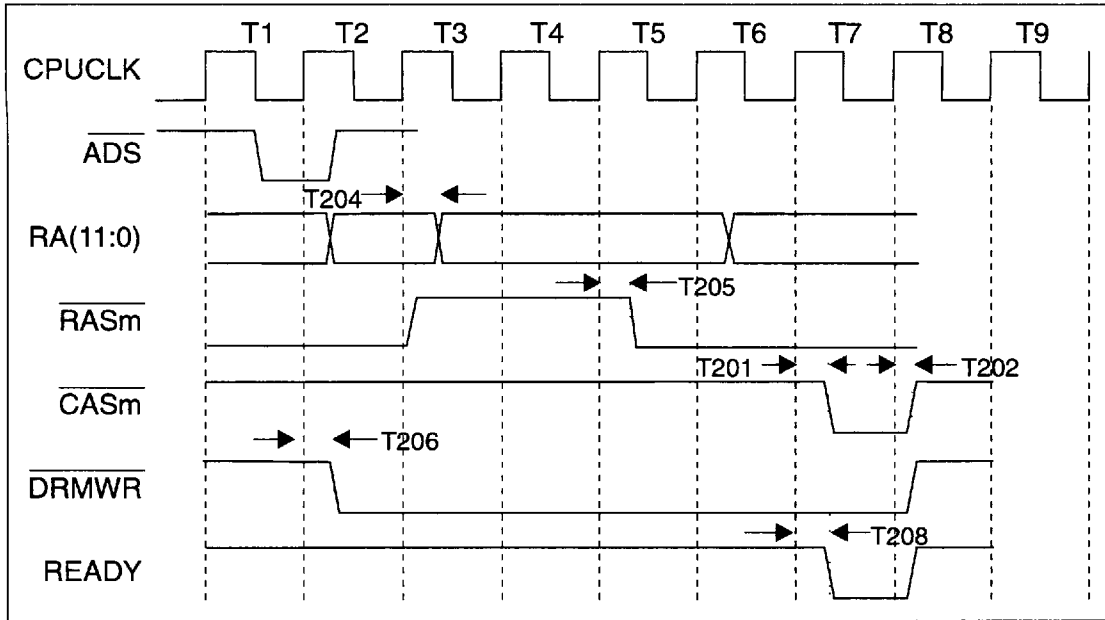


FIGURE 14-7. PAGE MISS, DRAM WRITE CYCLE

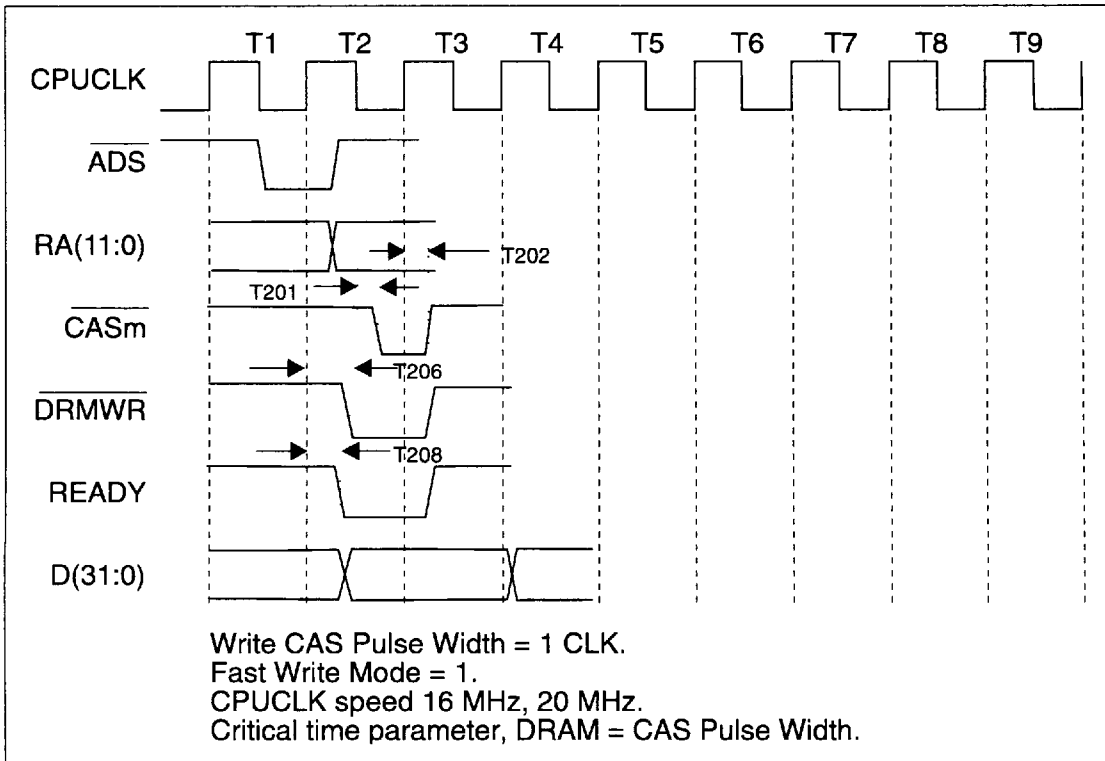


FIGURE 14-8. PAGE HIT, DRAM WRITE CYCLE, 0 WAIT STATE

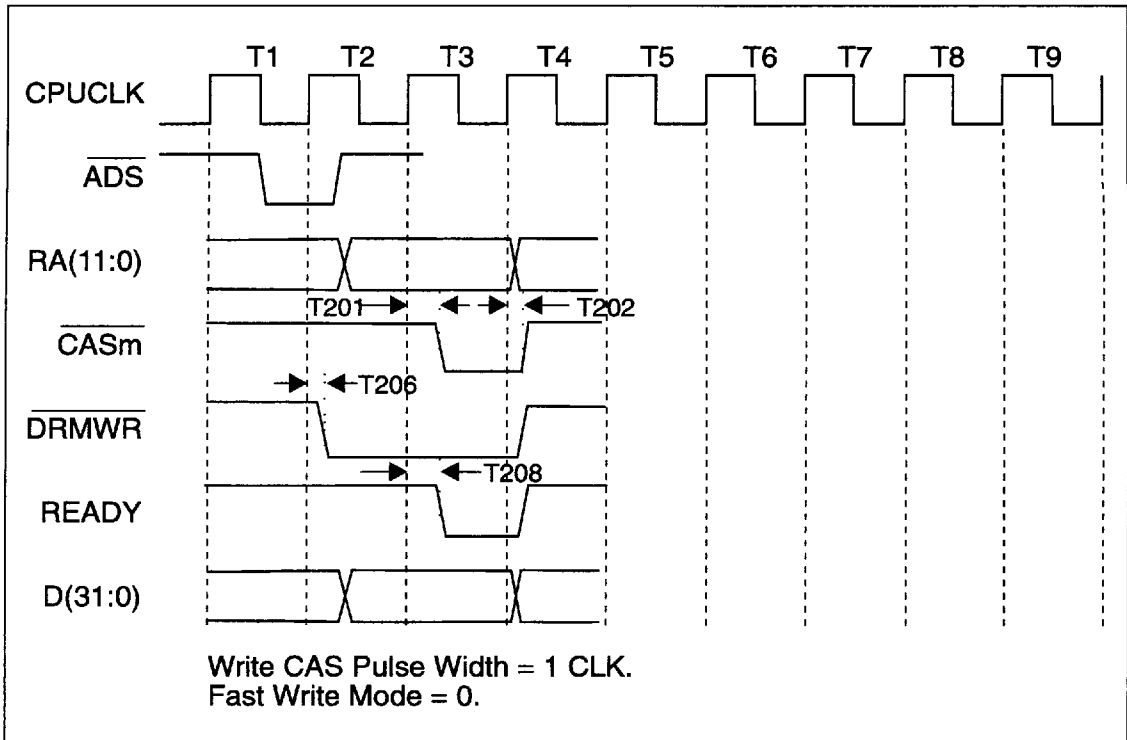


FIGURE 14-9. PAGE HIT, DRAM WRITE CYCLE, 1 WAIT STATE





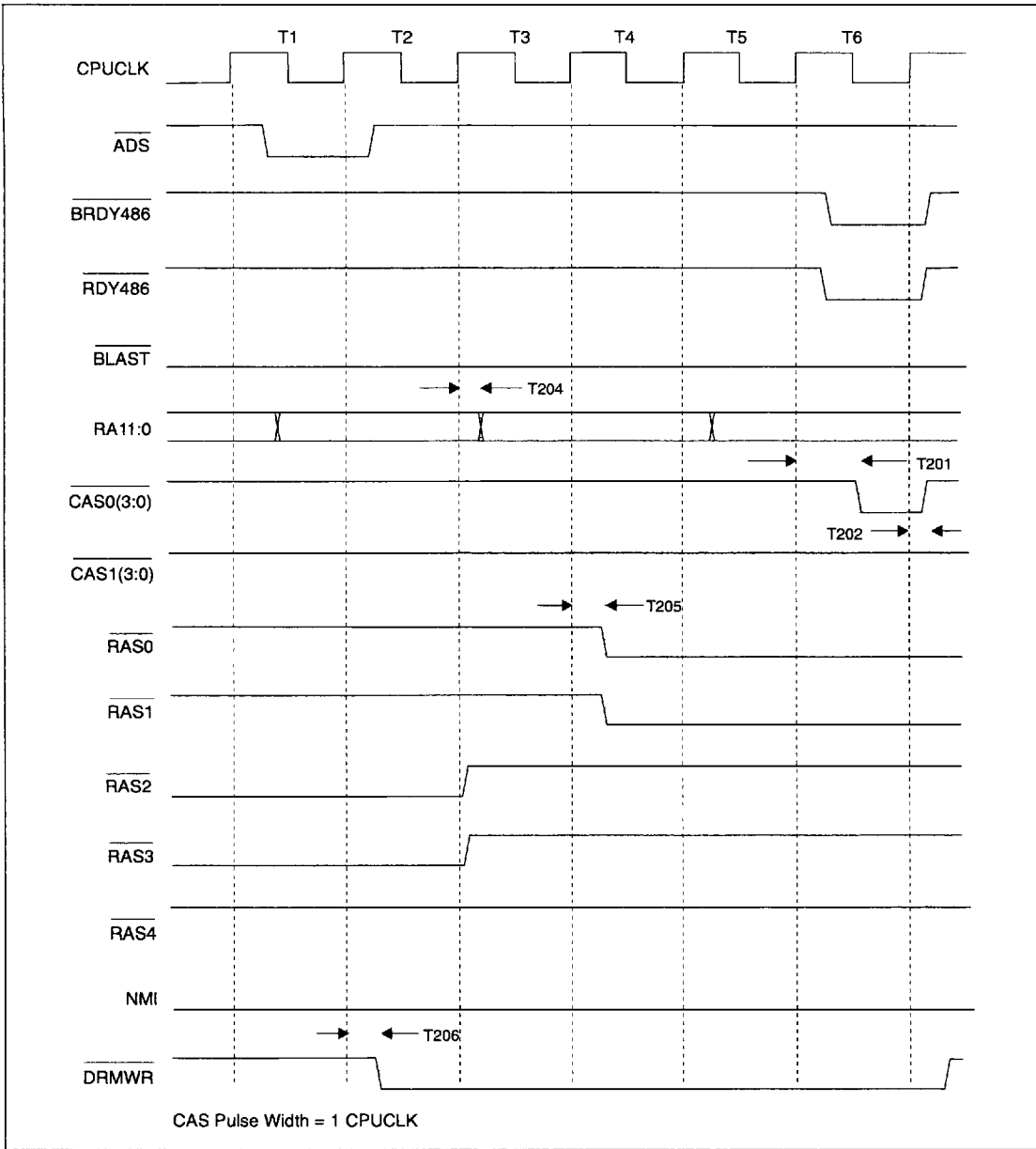


FIGURE 14-10. PAGE MISS, BANK MISS, DRAM WRITE CYCLE 6 CLOCKS



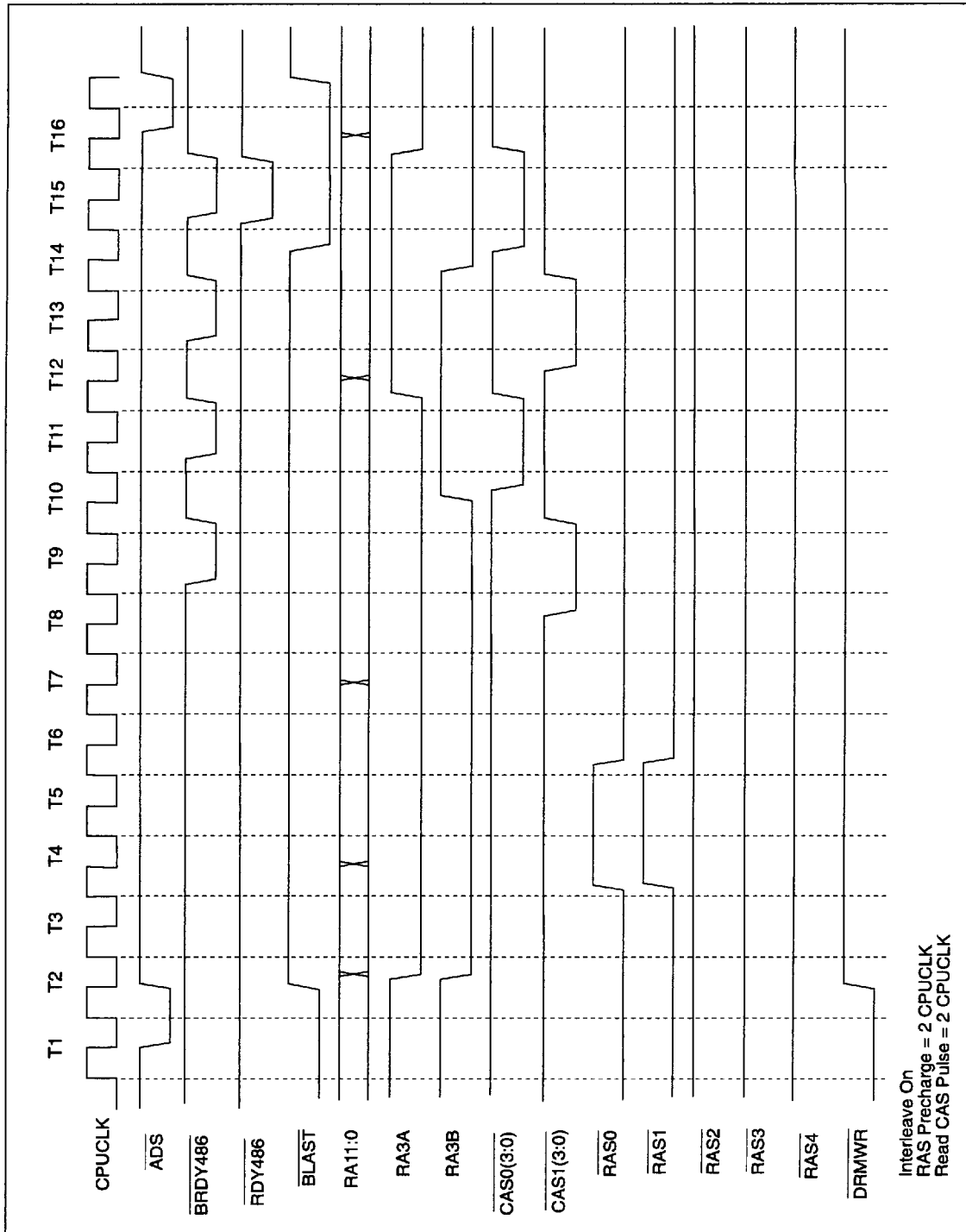


FIGURE 14-11. PAGE MISS, 8-2-2 DRAM READ CYCLE



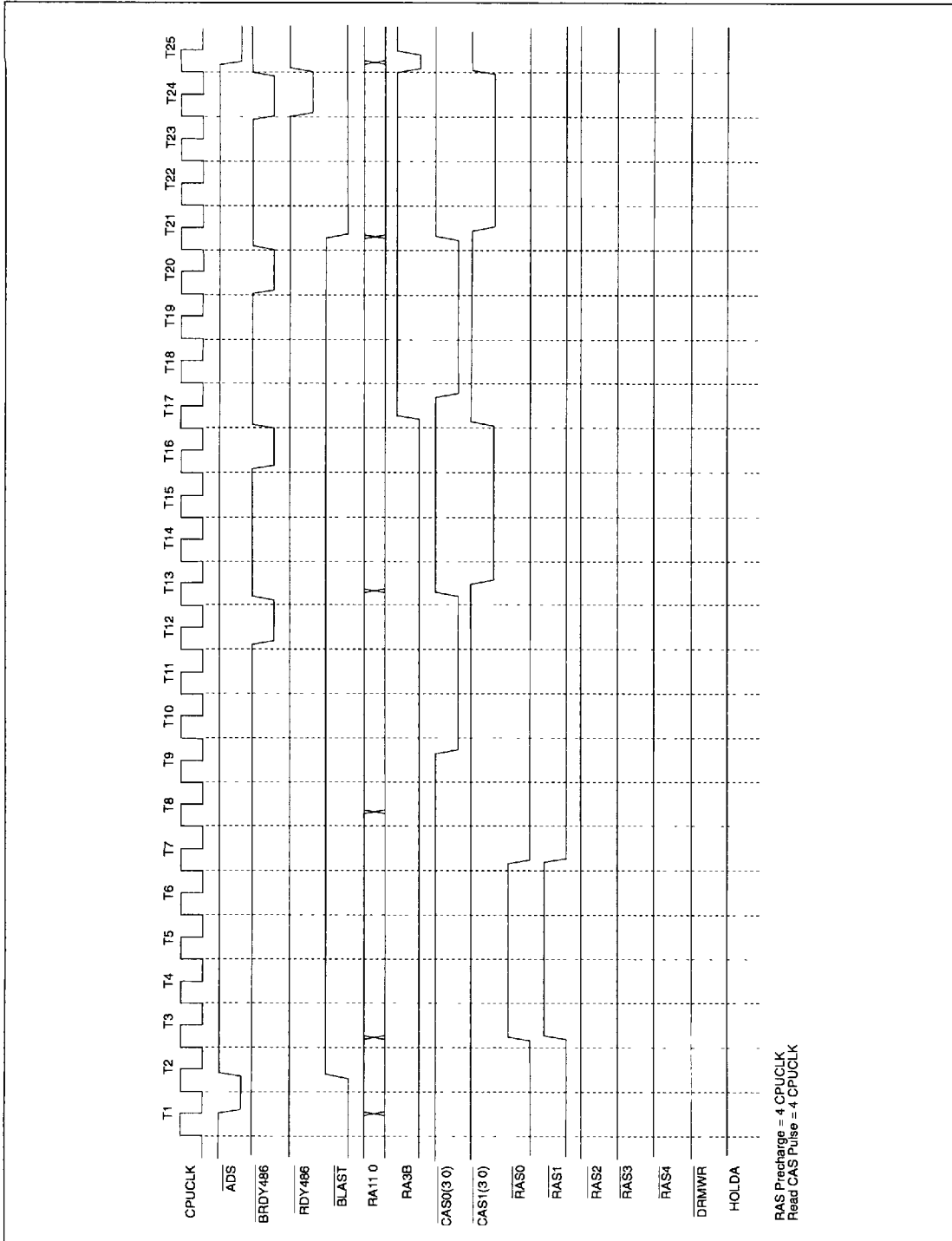


FIGURE 14-12. PAGE MISS, 12-4-4 DRAM READ CYCLE



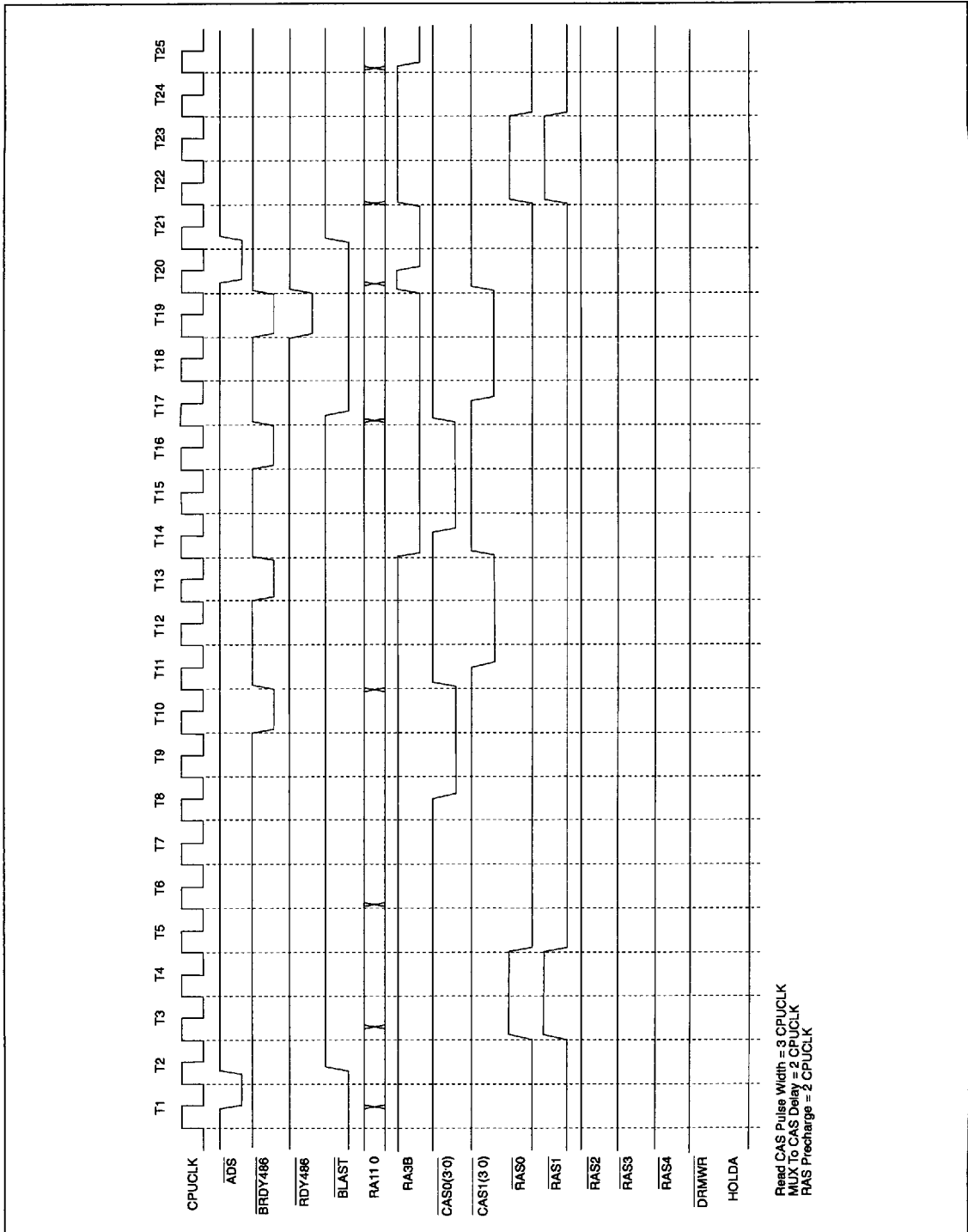


FIGURE 14-13. PAGE MISS, 10-3-3-3 DRAM READ CYCLE



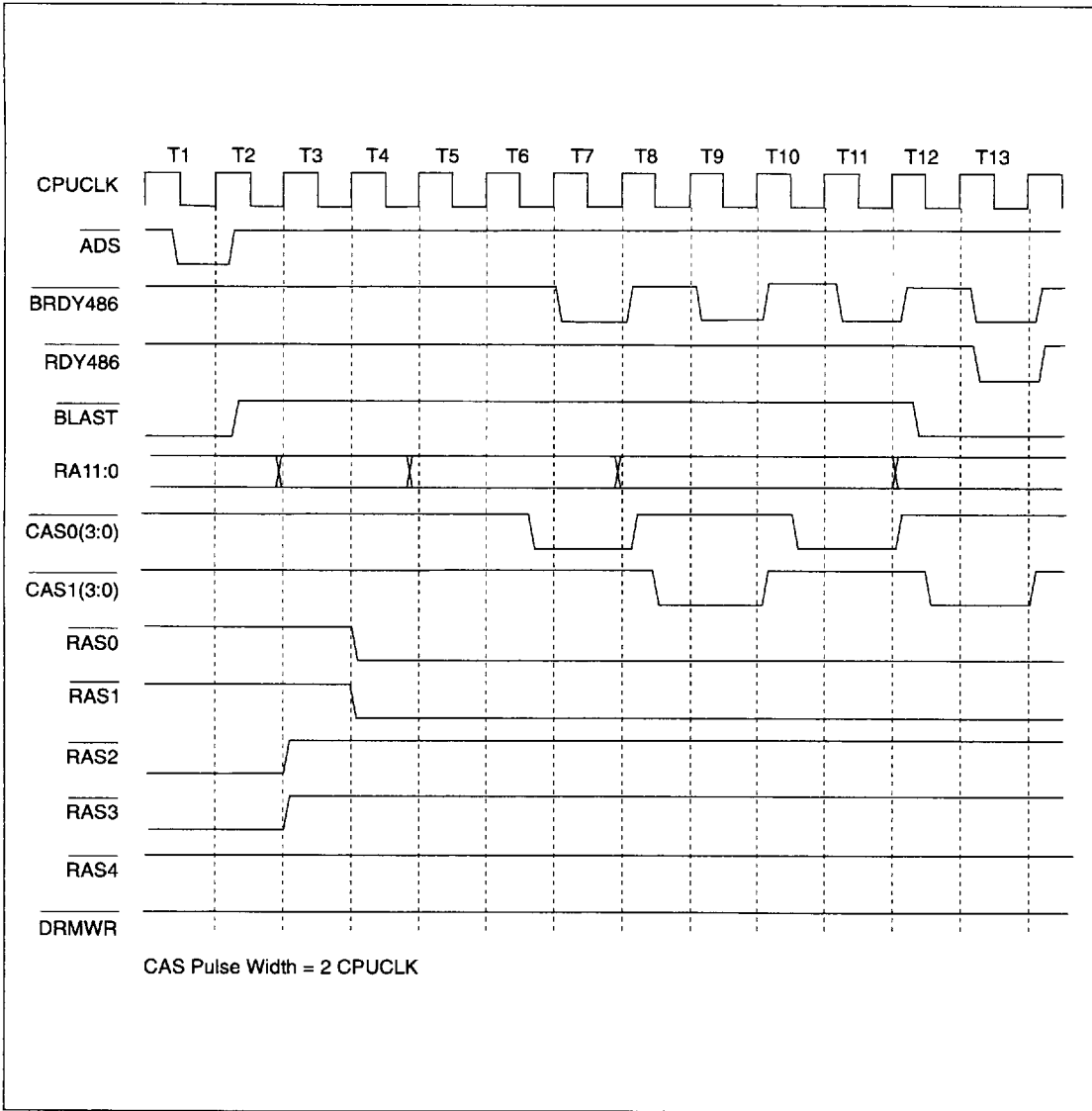


FIGURE 14-14. PAGE MISS, 7-2-2-2 DRAM READ CYCLE



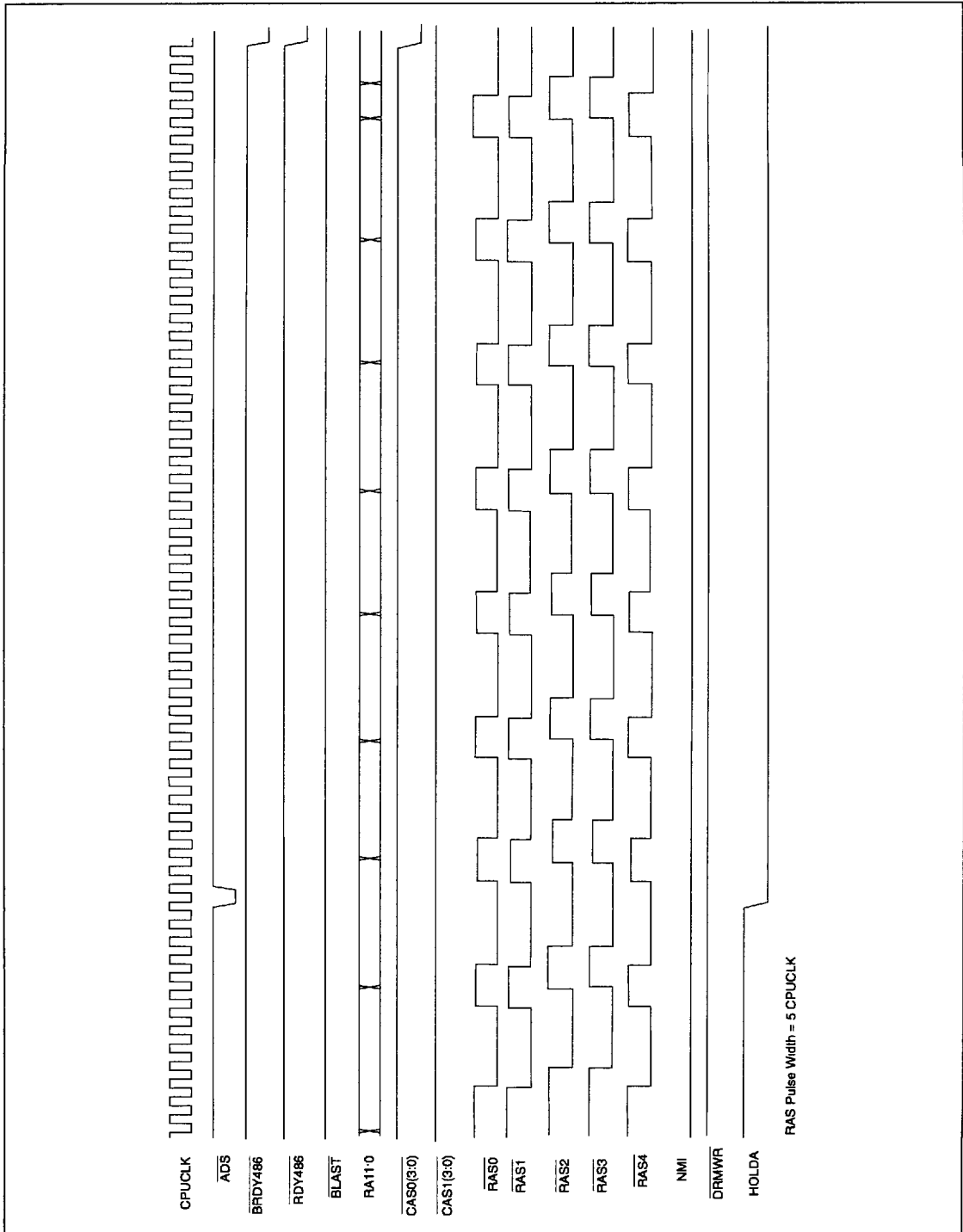


FIGURE 14-15. BURST REFRESH CYCLES



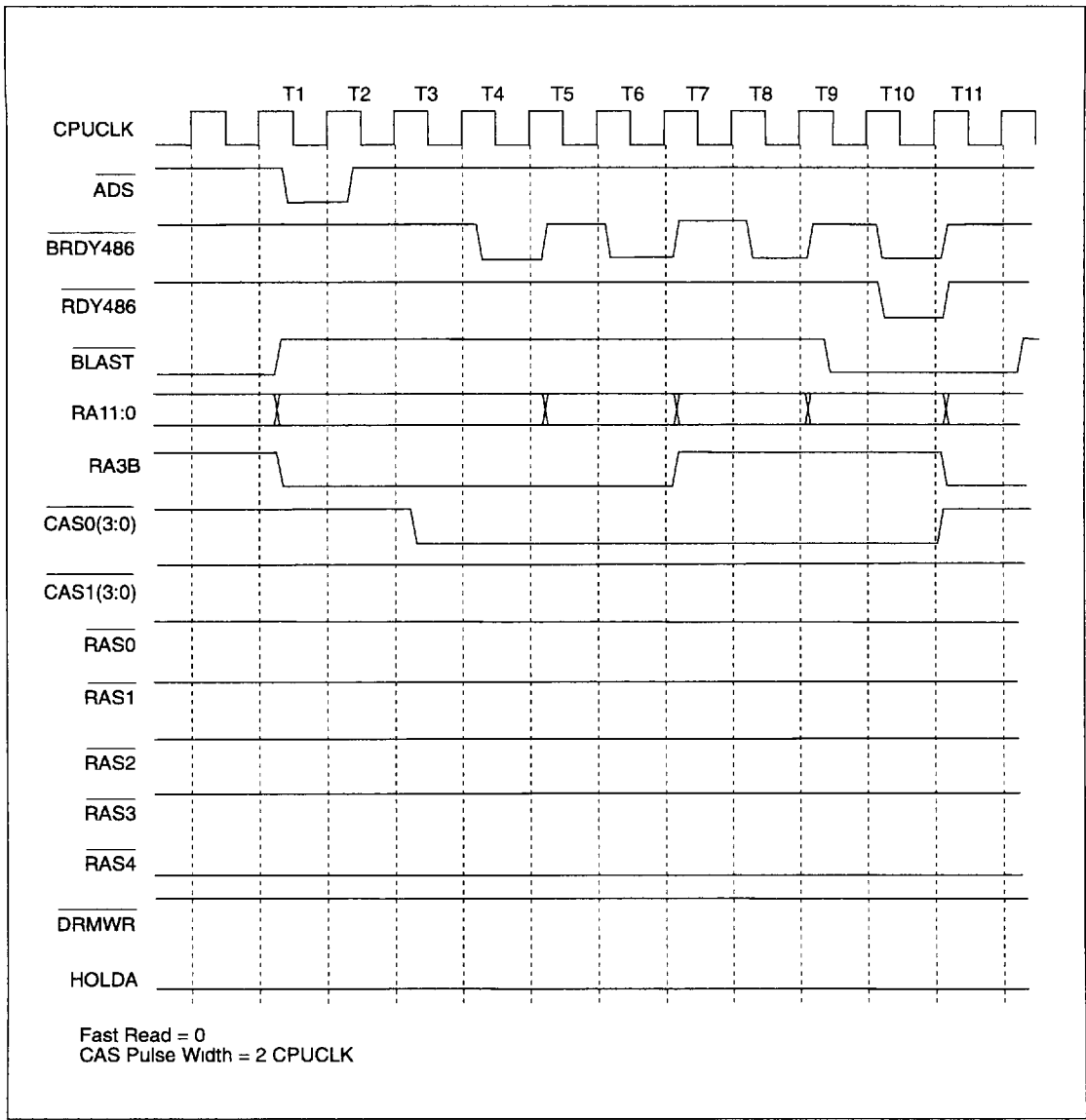


FIGURE 14-16. STATIC COLUMN MODE, 4-2-2-2 PAGE HIT CYCLE



## 14.2 AT BUS TIMING

The AT Bus timing is divided into six major categories:

1. CPU initiated AT Bus cycles.
2. Entering the AT Bus.
3. Exiting the AT Bus.
4. DMA cycles.

5. AT Bus Master cycles.
6. AT Bus Refresh cycle.

Some figures in this section are included only to show the sequence of the signals during certain operations. In these figures, no timing parameters are provided.

### 14.2.1 CPU Initiated AT Bus Cycles

SYMBOL	CHARACTERISTIC	MIN	MAX	UNITS	TEST CONDITIONS
T00	SYSClk Cycle Time	100		ns	8-bit cycle
T01	SYSClk fall to BALE rise		12	ns	
T02	SYSClk rise to BALE fall		9	ns	
T03	SYSClk fall to MEMR fall		9	ns	
T04	SYSClk rise to MEMR rise		6	ns	
T05	SYSClk fall to IOR fall		10	ns	
T06	SYSClk rise to IOR rise		7	ns	8-bit cycle
T17	MEMCS16 setup time to SYSClk rise	25		ns	
T18	MEMCS16 hold time from SYSClk rise	0		ns	
T19	IOCS16 setup time to SYSClk fall	23		ns	
T20	IOCS16 hold time from SYSClk fall	0		ns	
T21	IOCHRDY setup time to SYSClk rise	22		ns	
T22	IOCHRDY hold time from SYSClk rise	0		ns	
T23	ZEROWS setup time to SYSClk fall	24		ns	
T24	ZEROWS hold time from SYSClk fall	0		ns	
T25	AT Bus data setup time to SYSClk rise	22		ns	
T26	AT Bus data hold time from SYSClk rise	0	9	ns	
T27	SYSClk fall to MEMW fall		5	ns	
T28	SYSClk rise to MEMW rise		10	ns	
T29	SYSClk fall to IOW fall		8	ns	
T30	SYSClk rise to IOW rise			ns	

TABLE 14-4. CPU INITIATED AT BUS CYCLES





SYMBOL	CHARACTERISTIC	MIN	MAX	UNITS	TEST CONDITIONS
T36	SYSCLK fall to SA0 rise		16	ns	Word to byte conversion cycle
T37	SYSCLK rise to MEMR fall		6	ns	16-bit cycle
T38	IOCS16 hold time from SYSCLK rise	0		ns	16-bit cycle
T39	SYSCLK high time	-4	0	ns	(T00 ÷ 2) plus number given

TABLE 14-4. CPU INITIATED AT BUS CYCLES (Continued)



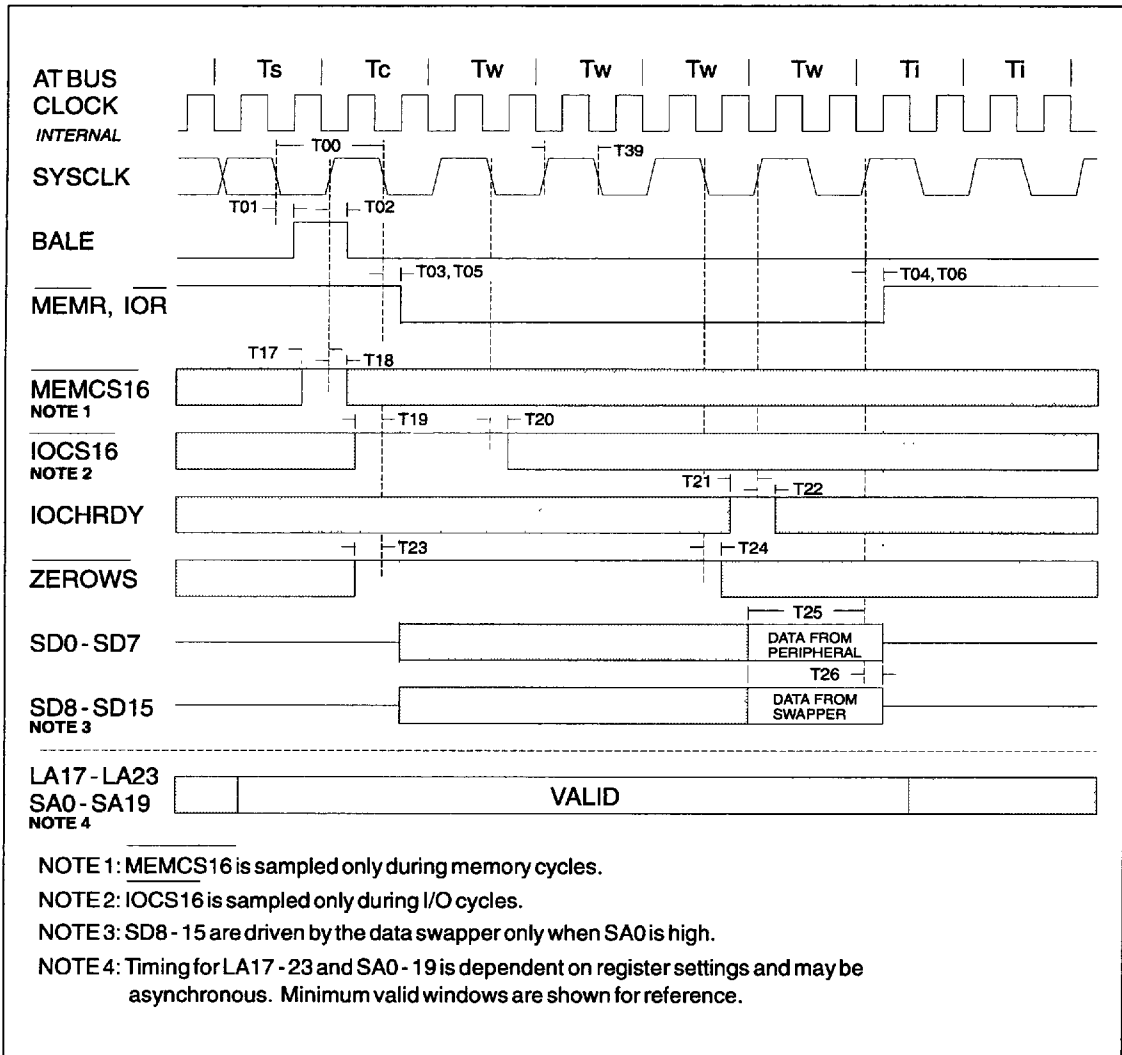


FIGURE 14-17. AT BUS I/O OR MEMORY READ: 8-BIT, DEFAULT TIMING



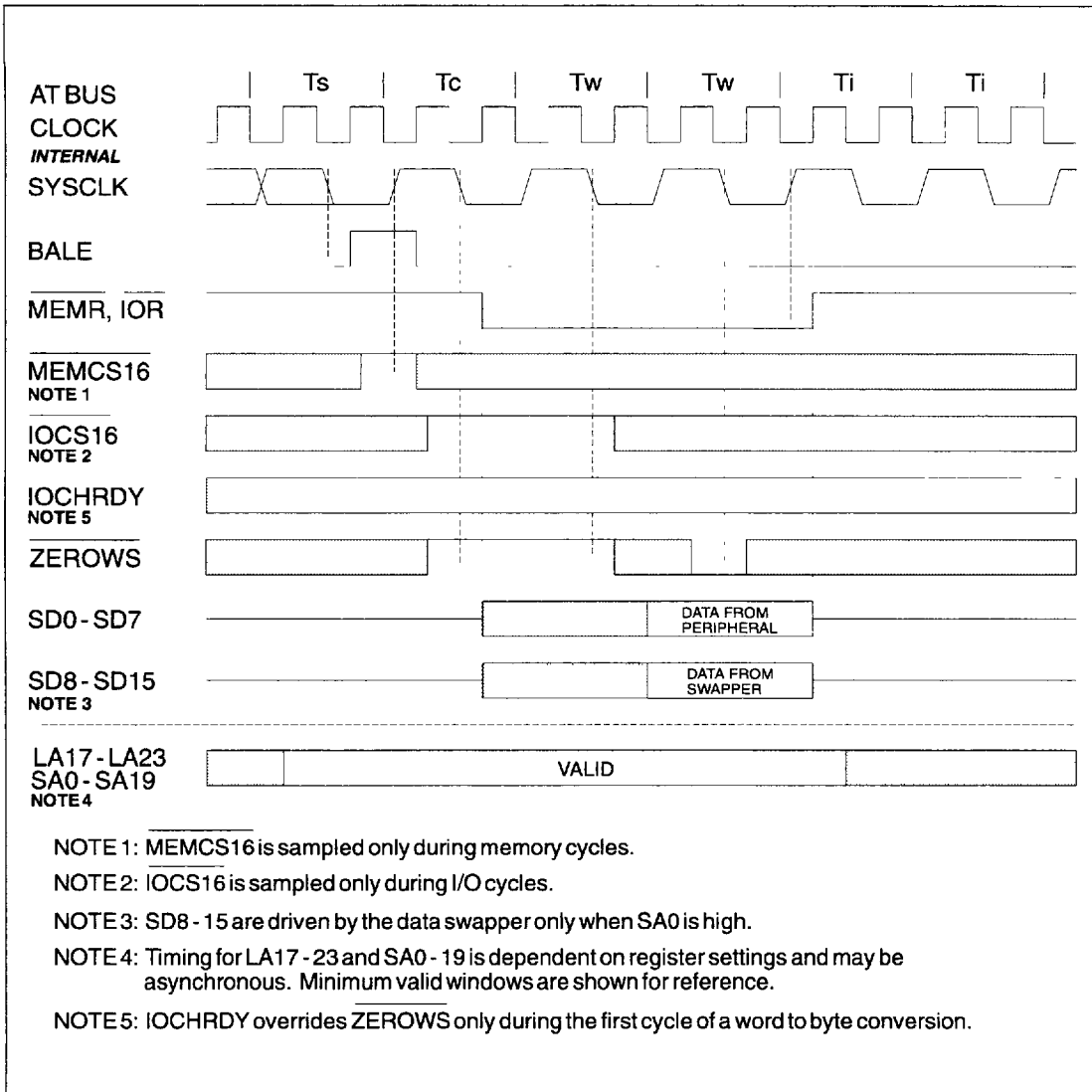


FIGURE 14-18. AT BUS I/O OR MEMORY READ: 8-BIT, ZEROWS ASSERTED



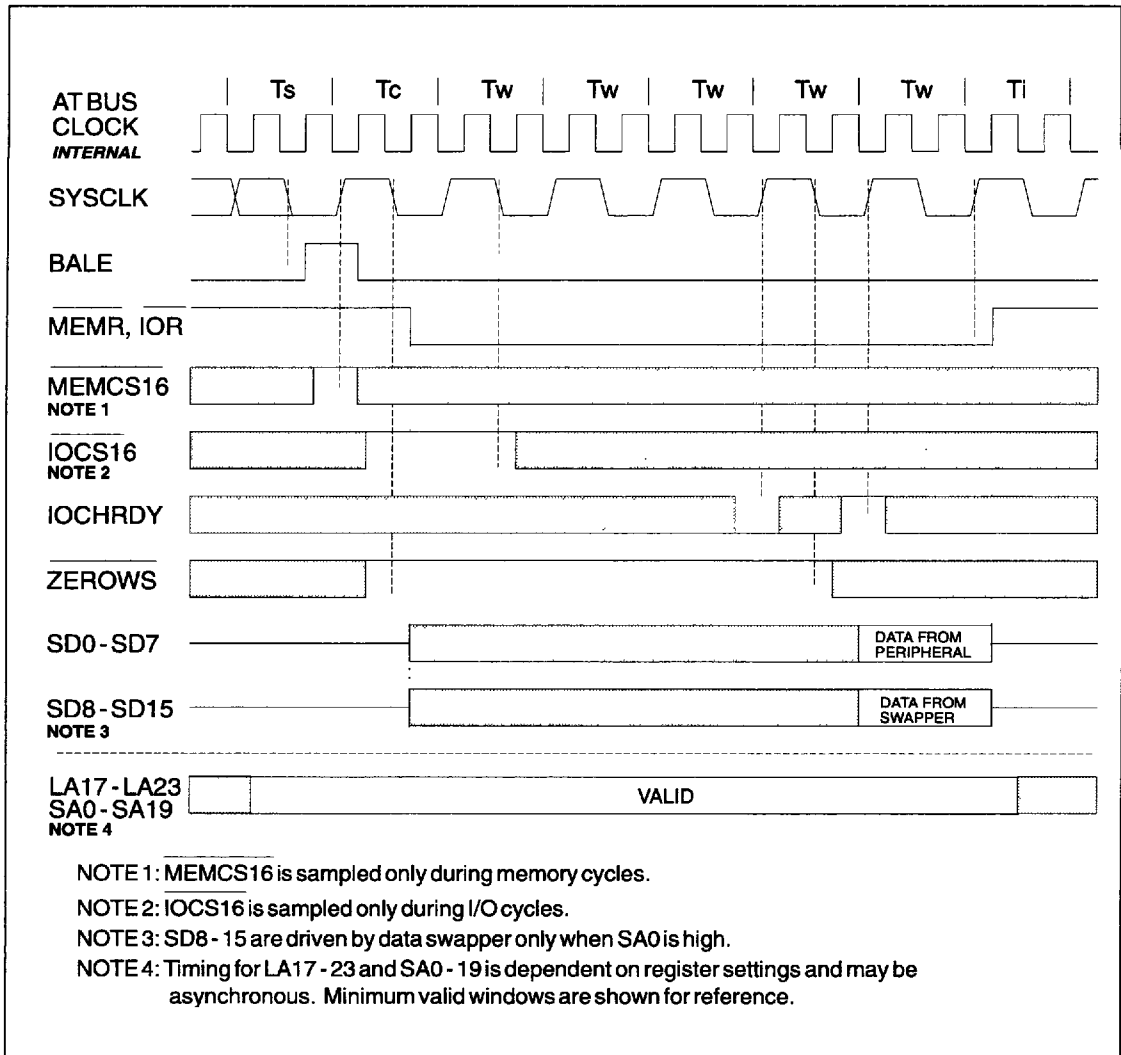


FIGURE 14-19. AT BUS I/O OR MEMORY READ: 8-BIT, EXTRA WAIT STATE ADDED



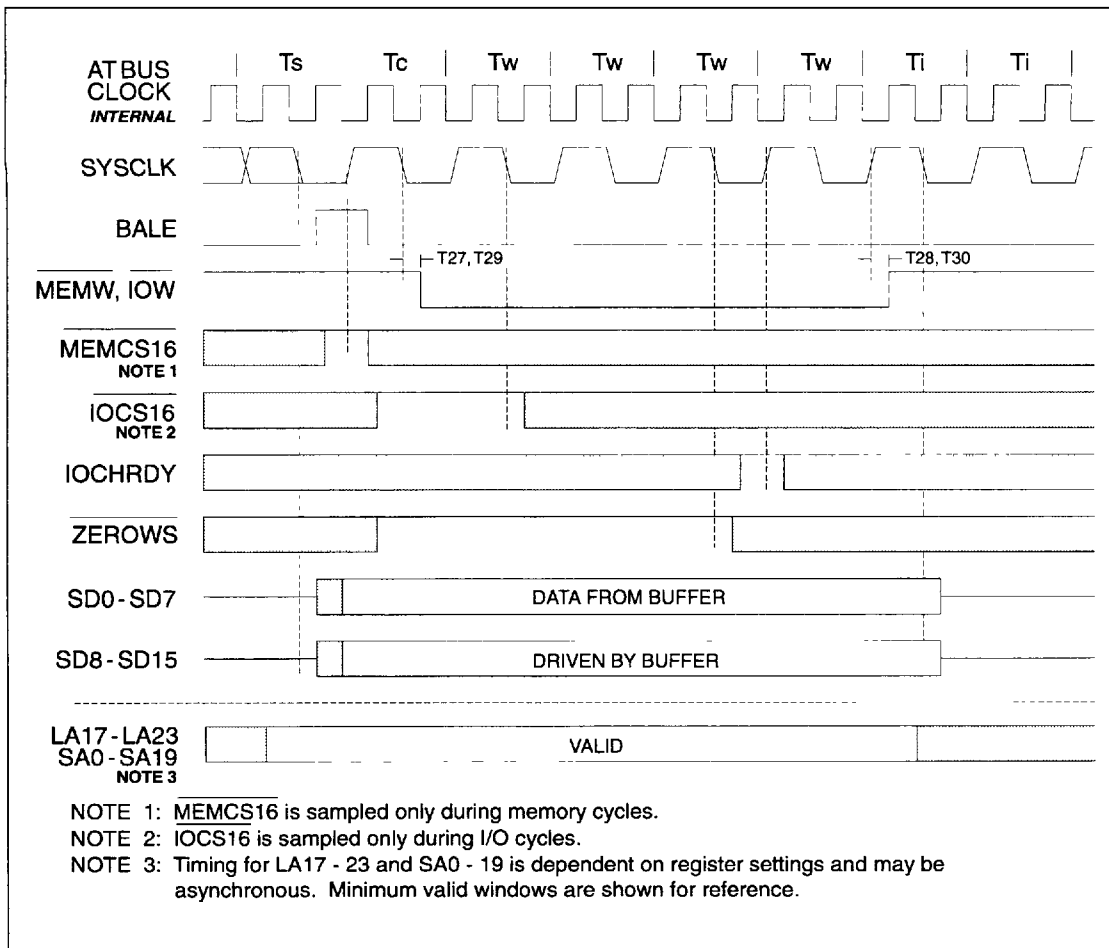


FIGURE 14-20. AT BUS I/O OR MEMORY WRITE: 8-BIT, EVEN BYTE, DEFAULT TIMING



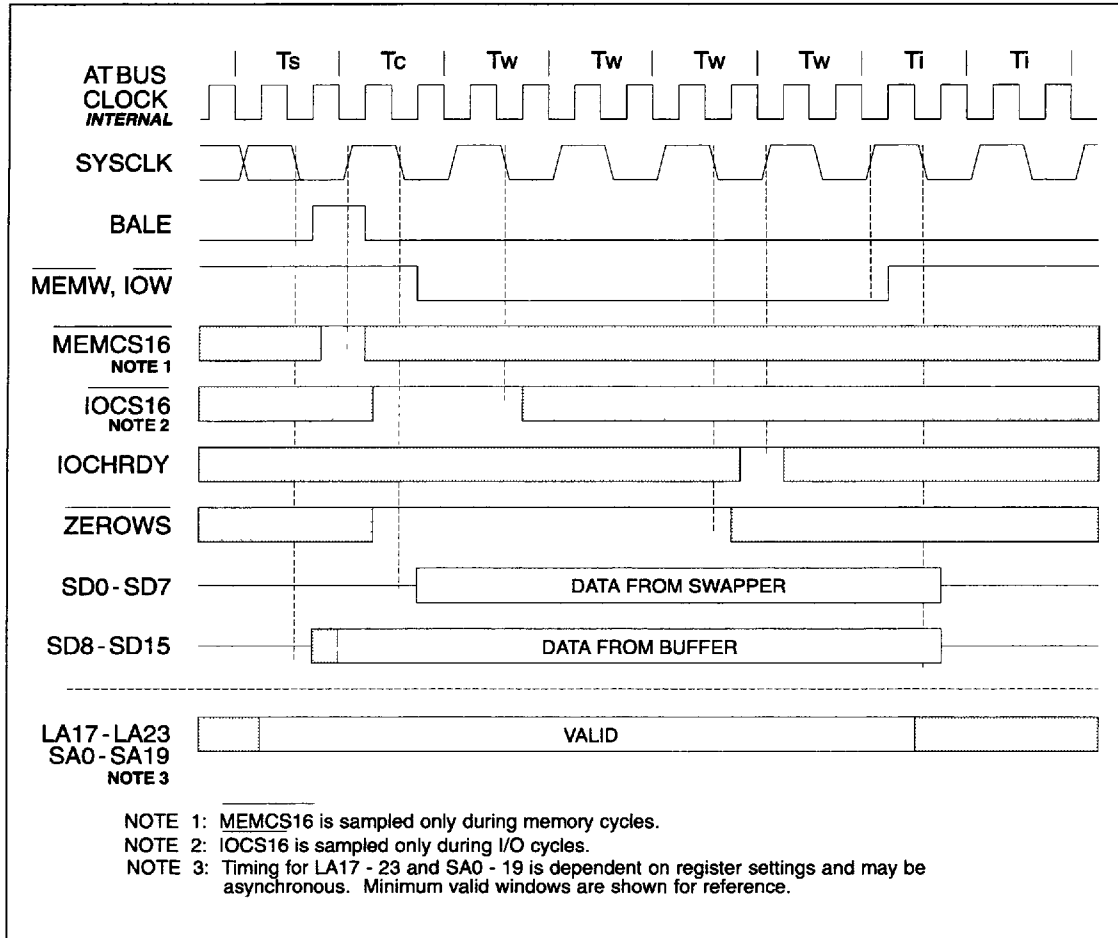


FIGURE 14-21. AT BUS I/O OR MEMORY WRITE: 8-BIT, ODD BYTE, DEFAULT TIMING



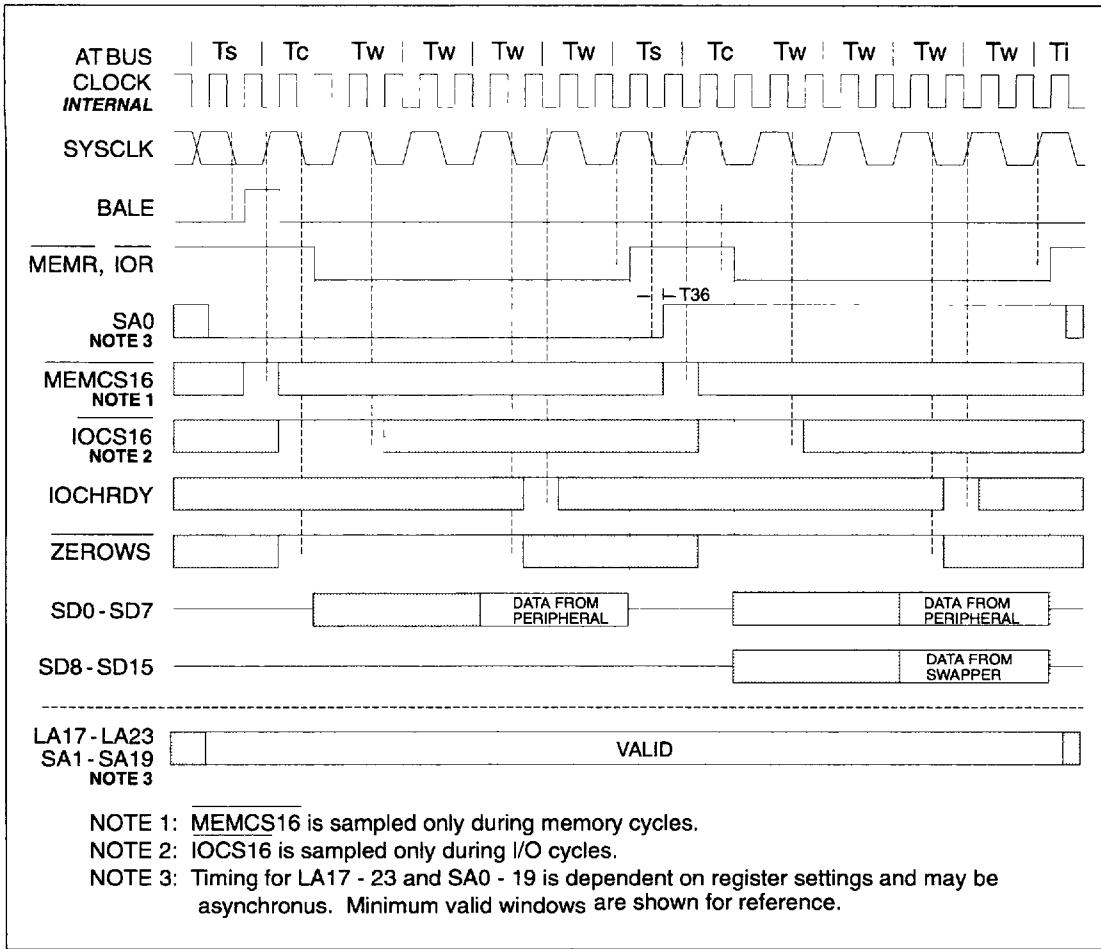


FIGURE 14-22. AT BUS I/O OR MEMORY READ: 8-BIT, WORD TO BYTE CONVERSION, DEFAULT TIMING

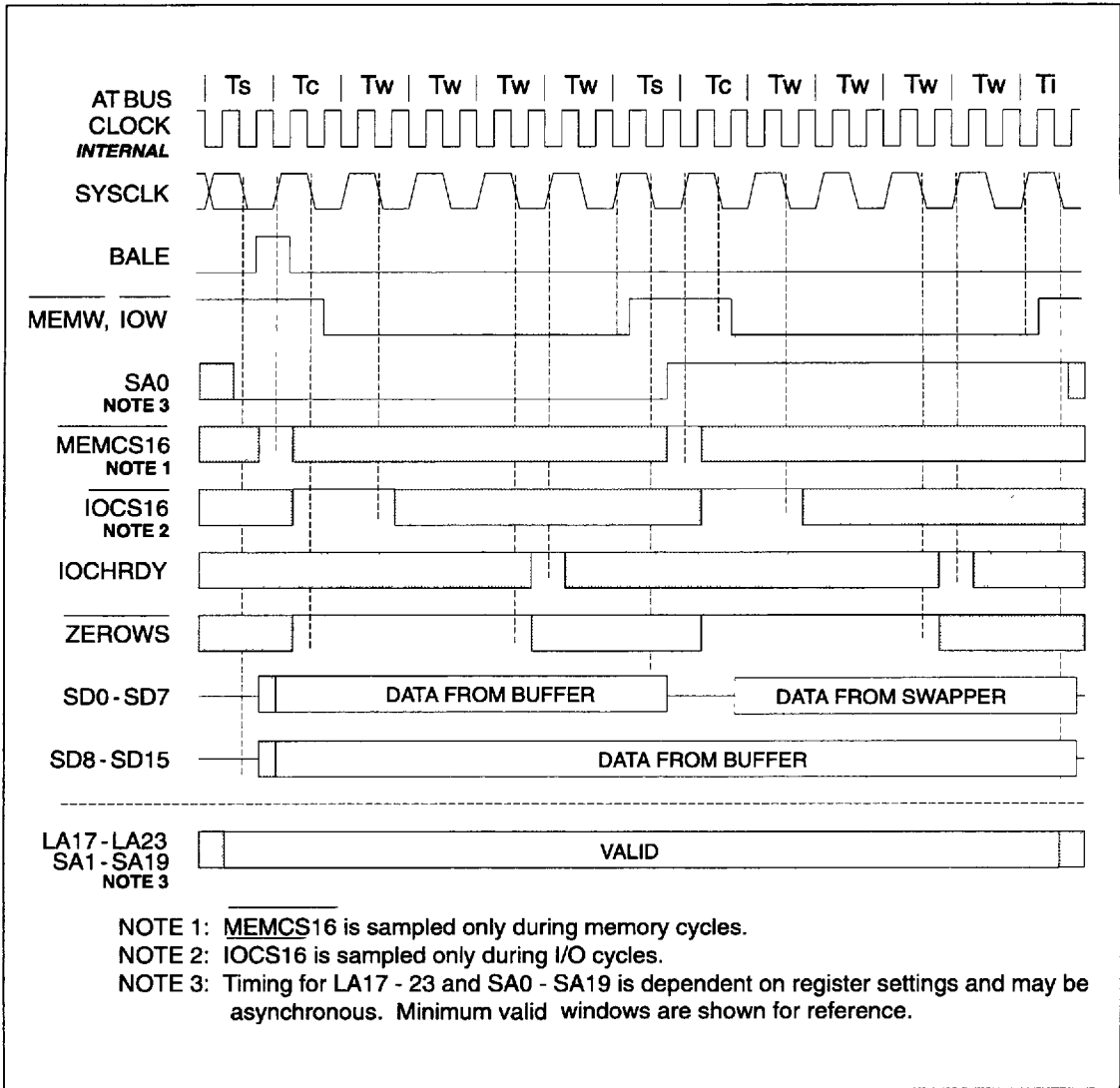


FIGURE 14-23. AT BUS I/O OR MEMORY WRITE: 8-BIT, WORD TO BYTE CONVERSION, DEFAULT TIMING





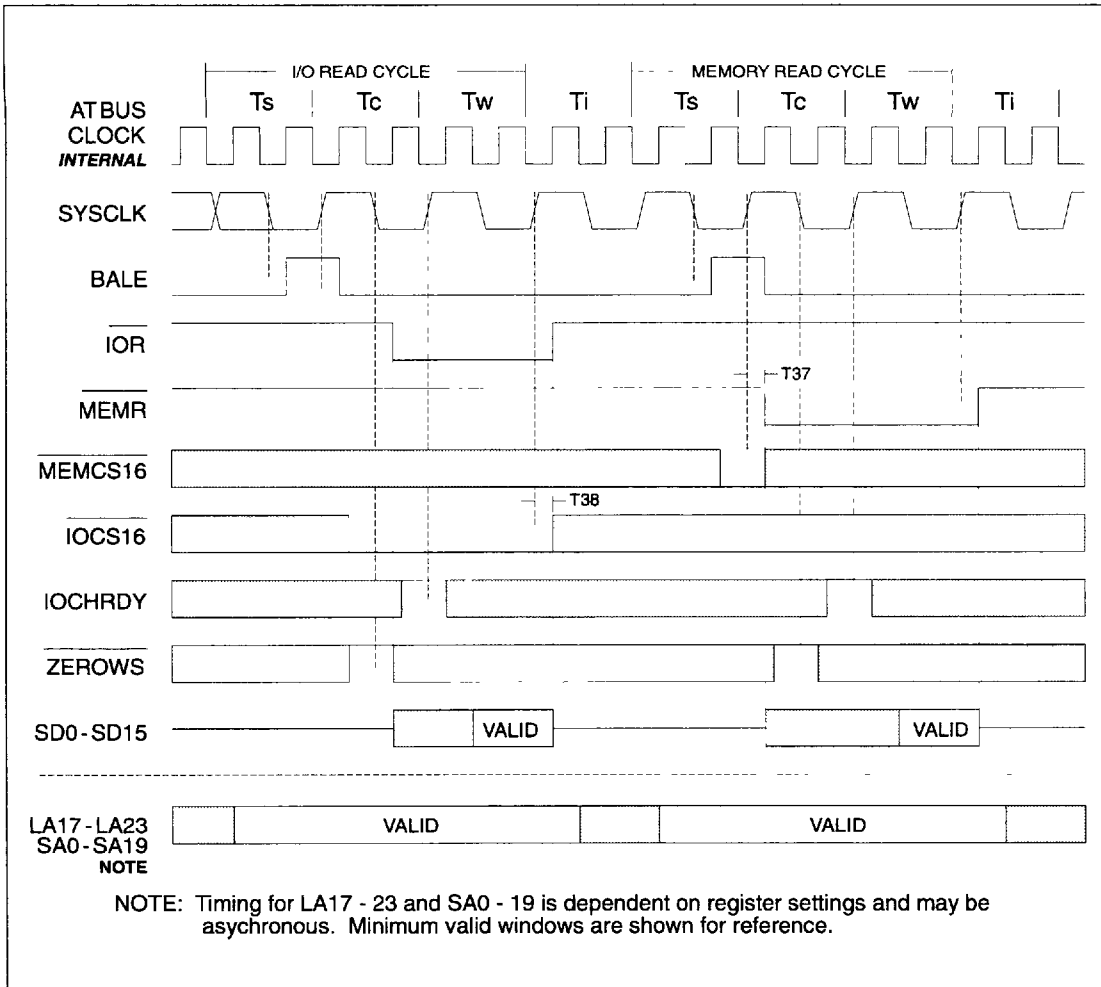


FIGURE 14-24. AT BUS I/O OR MEMORY READ: 16-BIT, DEFAULT TIMING



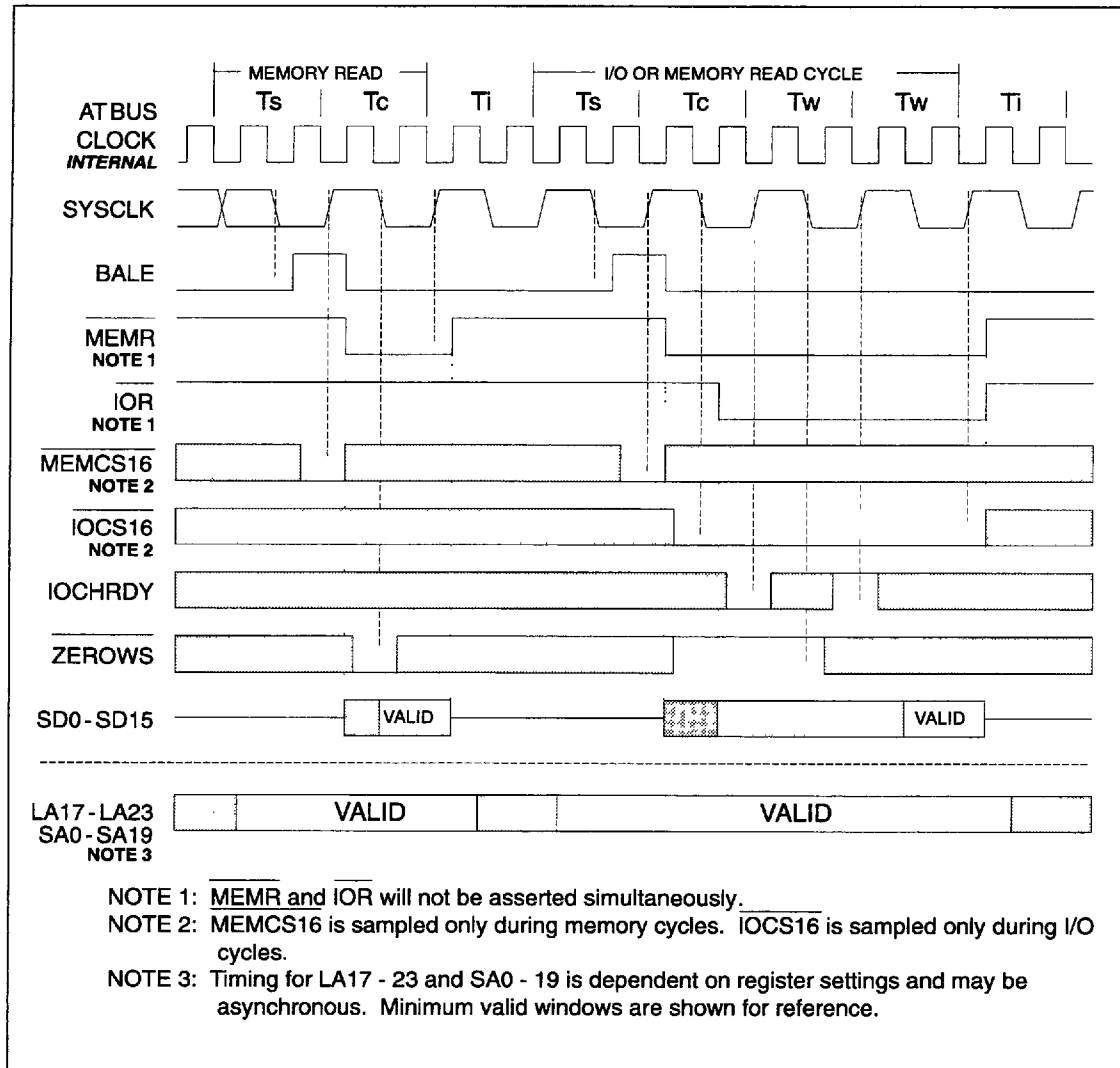


FIGURE 14-25. AT BUS I/O OR MEMORY READ: 16-BIT, 0WS ASSERTED AND EXTRA WAIT STATE ADDED



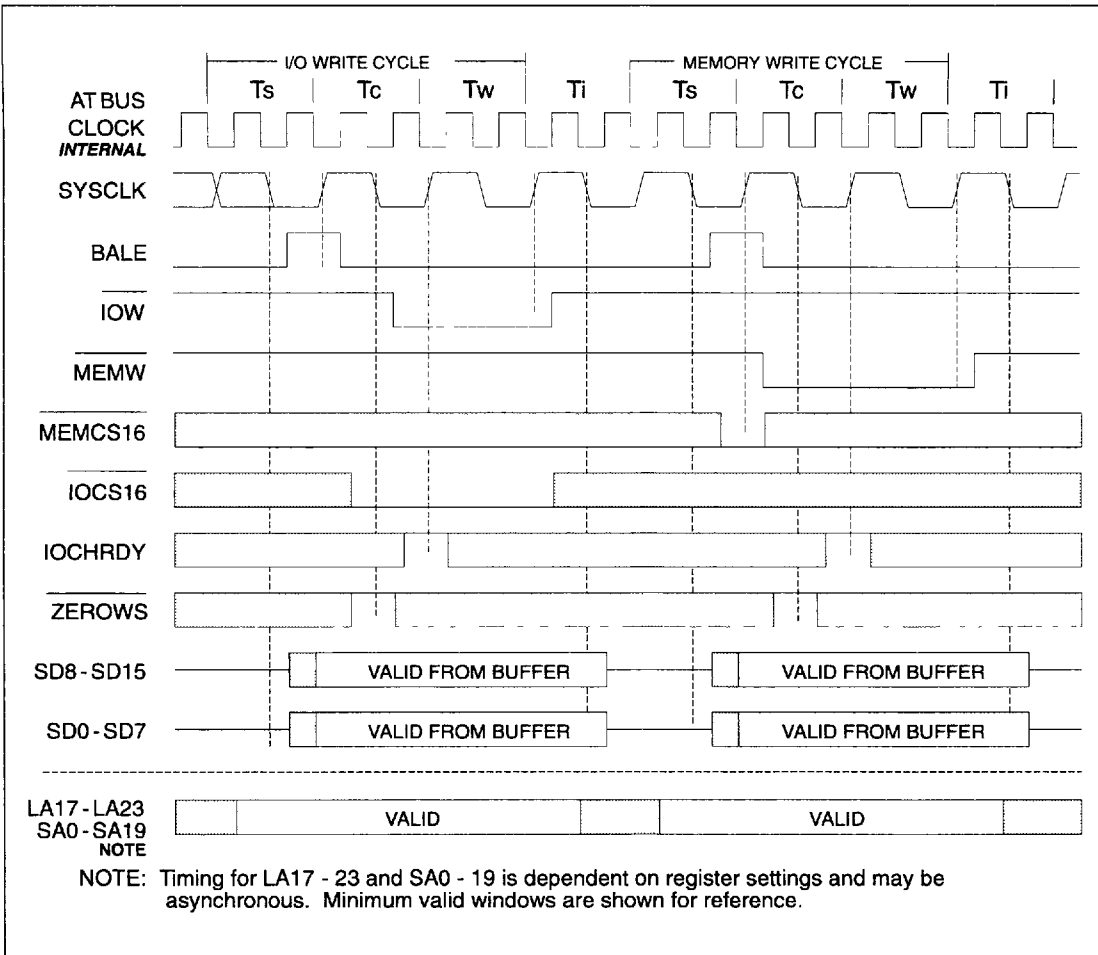


FIGURE 14-26. AT BUS I/O OR MEMORY WRITE: 16-BIT, DEFAULT TIMING



## 14.2.2 DMA Cycles

Basic default timing is covered first, followed by 8-bit I/O to onboard memory, then onboard memory to 8-bit I/O.

SYMBOL	CHARACTERISTIC	MIN	MAX	UNITS	TEST CONDITIONS
T51	SYSCLK rise to BALE valid high		15	ns	
T52	SYSCLK rise to AEN valid high		15	ns	
T53	SYSCLK rise to Address driven	0		ns	
T54	SYSCLK rise to Address valid		60	ns	
T55	Address hold from SYSCLK rise	0		ns	
T56	SYSCLK rise to LA20 valid		49	ns	
T57	LA20 hold from SYSCLK rise	0		ns	
T58	SYSCLK rise to SA0 valid		40	ns	
T59	SA0 hold from SYSCLK rise	0		ns	
T60	SYSCLK rise to $\overline{\text{BHE}}$ driven	0		ns	
T61	SYSCLK rise to $\overline{\text{BHE}}$ valid		36	ns	
T62	$\overline{\text{BHE}}$ hold from SYSCLK rise	0		ns	
T63	SYSCLK fall to MXCTL valid		2	ns	
T64	SYSCLK rise to DACKEN rise		28	ns	
T65	SYSCLK rise to DACKEN fall		31	ns	
T66	SYSCLK rise to $\overline{\text{CSEN}}$ fall		32	ns	
T67	SYSCLK rise to $\overline{\text{CSEN}}$ rise		33	ns	
T68	IOCHRDY setup to SYSCLK rise	12		ns	
T69	IOCHRDY hold from SYSCLK rise	0		ns	
T70	SYSCLK rise to $\overline{\text{IOR}}$ fall		28	ns	
T71	SYSCLK rise to $\overline{\text{IOR}}$ rise		35	ns	
T72	SYSCLK rise to $\overline{\text{MEMW}}$ fall		47	ns	
T73	SYSCLK rise to $\overline{\text{MEMW}}$ rise		35	ns	
T82	SYSCLK rise to $\overline{\text{IOW}}$ fall		53	ns	
T83	SYSCLK rise to $\overline{\text{IOW}}$ rise		37	ns	
T84	SYSCLK rise to $\overline{\text{MEMR}}$ fall		17	ns	
T85	SYSCLK rise to $\overline{\text{MEMR}}$ rise		38	ns	
T100	$\overline{\text{MEMW}}$ fall to $\overline{\text{RASn}}$ fall		27	ns	
T101	$\overline{\text{MEMW}}$ rise to $\overline{\text{RASn}}$ rise		29	ns	
T102	$\overline{\text{MEMW}}$ fall to $\overline{\text{CASn}}$ fall		108	ns	
T103	$\overline{\text{MEMW}}$ rise to $\overline{\text{CASn}}$ rise		30	ns	
T105	$\overline{\text{MEMW}}$ fall to RA(11:00) valid		100	ns	
T107	$\overline{\text{MEMW}}$ fall to $\overline{\text{DRMWR}}$ low		29	ns	
T108	$\overline{\text{MEMW}}$ rise to $\overline{\text{DRMWR}}$ high	10		ns	

TABLE 14-5. DMA CYCLES



SYMBOL	CHARACTERISTIC	MIN	MAX	UNITS	TEST CONDITIONS
T120	$\overline{\text{MEMR}}$ fall to $\overline{\text{RASn}}$ fall		28	ns	
T121	$\overline{\text{MEMR}}$ rise to $\overline{\text{RAS}}$ rise		29	ns	
T122	$\overline{\text{MEMR}}$ fall to $\overline{\text{CASn}}$ fall		110	ns	
T123	$\overline{\text{MEMR}}$ rise to $\overline{\text{CAS}}$ rise		31	ns	
T125	$\overline{\text{MEMR}}$ fall to RA(10:00) valid		100	ns	
T305	D(15:00) setup to $\overline{\text{MEMR}}$ rise	18		ns	

TABLE 14-5. DMA CYCLES (Continued)



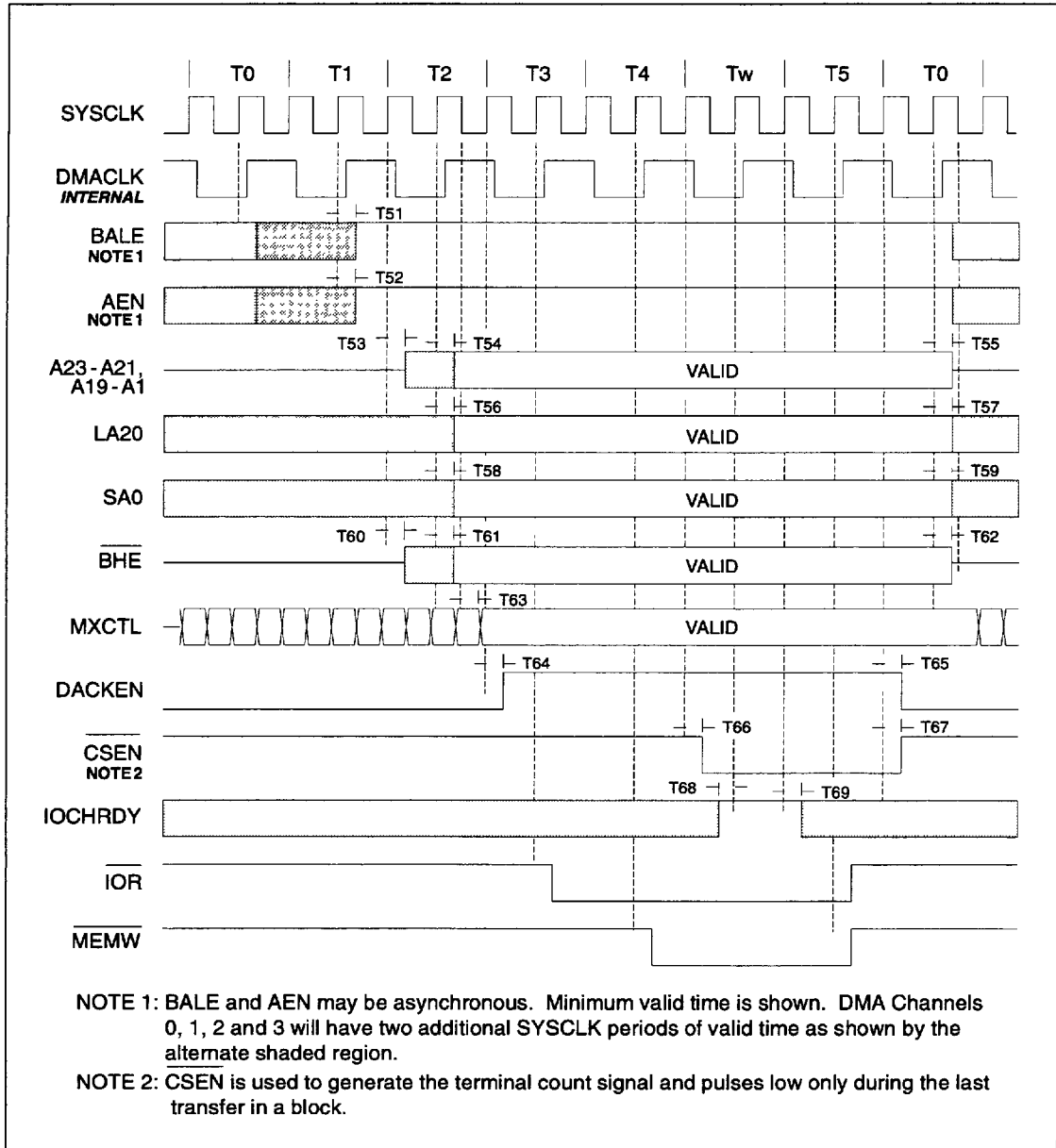


FIGURE 14-27. BASIC DMA CYCLE, DEFAULT TIMING



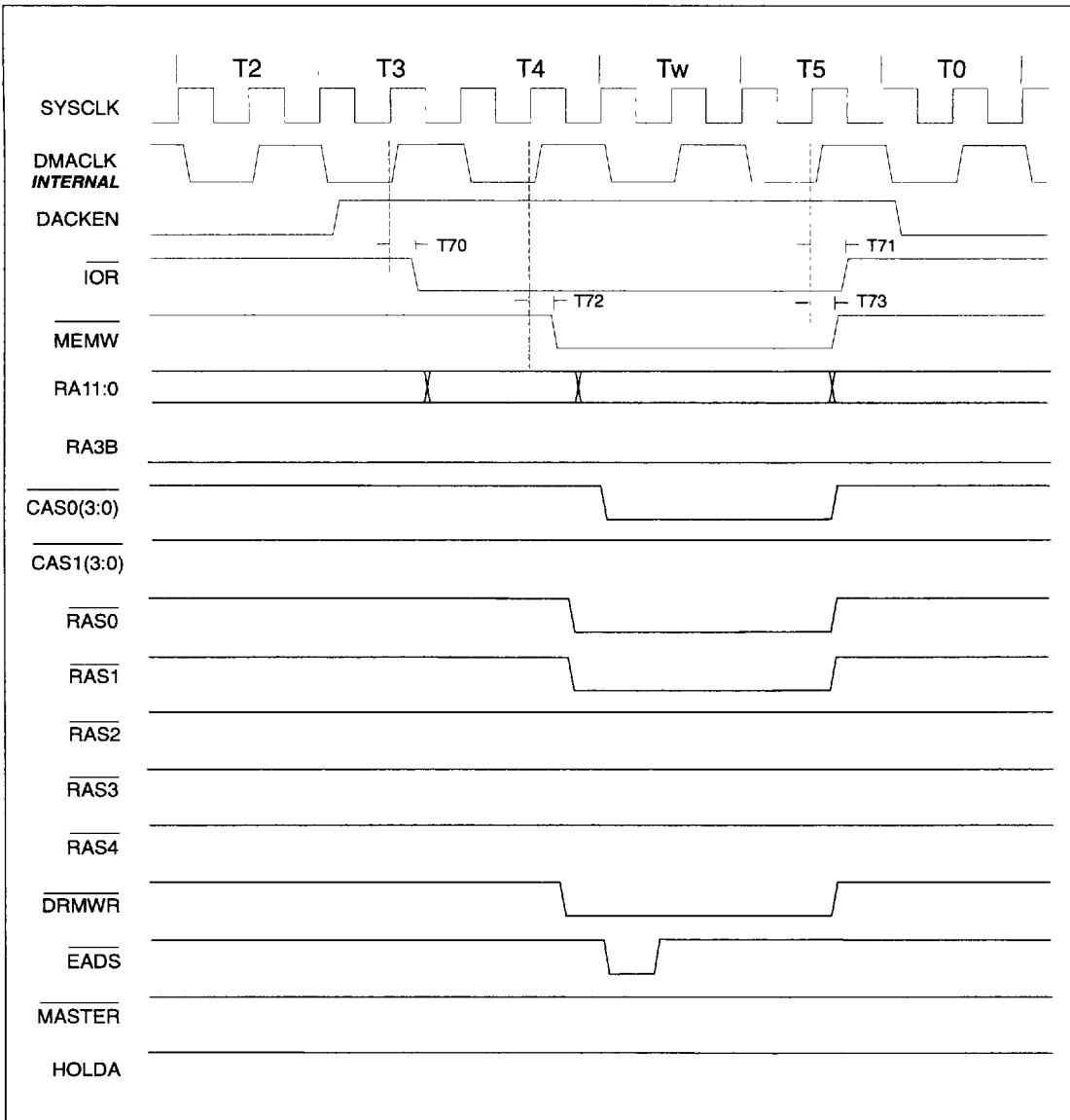


FIGURE 14-28. DMA CYCLE, 8-BIT I/O TO ON-BOARD MEMORY



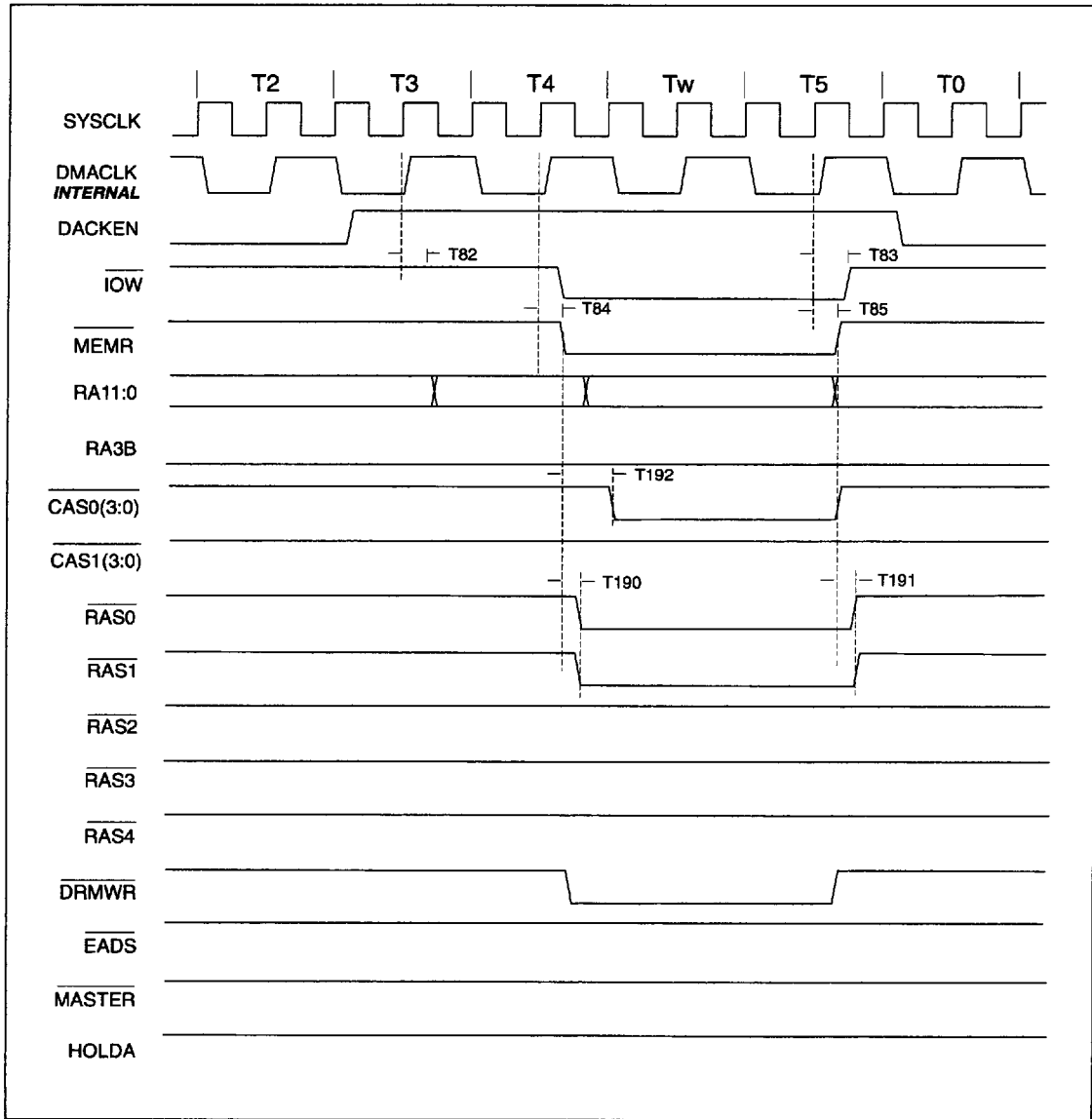


FIGURE 14-29. DMA CYCLE, ON-BOARD MEMORY TO 8-BIT I/O





## 14.2.3 AT Bus Master

The AT Bus master timing is covered in the following sequence:

- Bus acquisition and release
- Writing to the onboard memory
- Reading from the onboard memory

SYMBOL	CHARACTERISTIC	MIN	MAX	UNITS	TEST CONDITIONS
T51	SYSCLK rise to BALE valid high		15	ns	
T52	SYSCLK rise to AEN valid high		15	ns	
T53	SYSCLK rise to Address driven	0		ns	
T55	Address hold from SYSCLK rise	0		ns	
T63	SYSCLK fall to MXCTL valid		2	ns	
T64	SYSCLK rise to DACKEN rise		28	ns	
T65	SYSCLK rise to DACKEN fall		31	ns	
T150	MASTER fall to AEN fall		30	ns	
T151	MASTER rise to AEN rise		30	ns	
T152	MASTER fall to A(23:21), A(19:01) float		30	ns	
T153	MASTER rise to A(23:21), A(19:01) driven	15		ns	
T154	MASTER fall to LA20 float		23	ns	
T155	MASTER rise to LA20 driven	10		ns	
T156	MASTER fall to SA0 float		24	ns	
T157	MASTER rise to SA0 driven	10		ns	
T159	MASTER rise to BHE driven	10		ns	
T160	MASTER fall to CSEN fall		32	ns	
T161	MASTER rise to CSEN rise		35	ns	
T162	MASTER fall to MEMR float		24	ns	
T163	MASTER rise to MEMR driven	10		ns	
T164	MASTER fall to MEMW, IOR, IOW, float		23	ns	
T165	MASTER rise to MEMW, IOR, IOW driven	10		ns	
T166	A(23:21), A(19:01) setup to MEMR, MEMW	45		ns	
T167	LA20 setup to MEMR, MEMW	50		ns	
T168	BHE setup to MEMR, MEMW	0		ns	
T169	SA0 setup to MEMR, MEMW	0		ns	
T170	A(23:21), A(19:01) hold from MEMR, MEMW	15		ns	
T171	LA20 hold from MEMR, MEMW	15		ns	
T172	BHE hold from MEMR, MEMW	15		ns	
T173	SA0 hold from MEMR, MEMW	15		ns	
T174	SA0 in to A0 out delay		45	ns	

TABLE 14-6. AT BUS MASTER CYCLE



SYMBOL	CHARACTERISTIC	MIN	MAX	UNITS	TEST CONDITIONS
T190	$\overline{\text{MEMR}}$ , $\overline{\text{MEMW}}$ fall to $\overline{\text{RASn}}$ fall		83	ns	
T191	$\overline{\text{MEMR}}$ , $\overline{\text{MEMW}}$ rise to $\overline{\text{RASn}}$ rise		33	ns	
T192	$\overline{\text{MEMR}}$ , $\overline{\text{MEMW}}$ fall to $\overline{\text{CASn}}$ fall		126	ns	
T193	$\overline{\text{MEMR}}$ , $\overline{\text{MEMW}}$ rise to $\overline{\text{CASn}}$ rise		33	ns	
T194	$\overline{\text{MEMR}}$ , $\overline{\text{MEMW}}$ fall to RA(10:00) column address valid		120	ns	
T196	$\overline{\text{MEMR}}$ , $\overline{\text{MEMW}}$ fall to RA(10:00) row address valid		42	ns	
T197	RA(10:00) column address hold from $\overline{\text{MEMR}}$ , $\overline{\text{MEMW}}$ rise	5		ns	
T300	$\overline{\text{MEMW}}$ fall to $\overline{\text{DRMWR}}$ fall		33	ns	
T301	$\overline{\text{MEMW}}$ rise to $\overline{\text{DRMWR}}$ rise	10		ns	
T305	D(31:00) setup to $\overline{\text{MEMR}}$ rise	18		ns	

TABLE 14-6. AT BUS MASTER CYCLE (Continued)



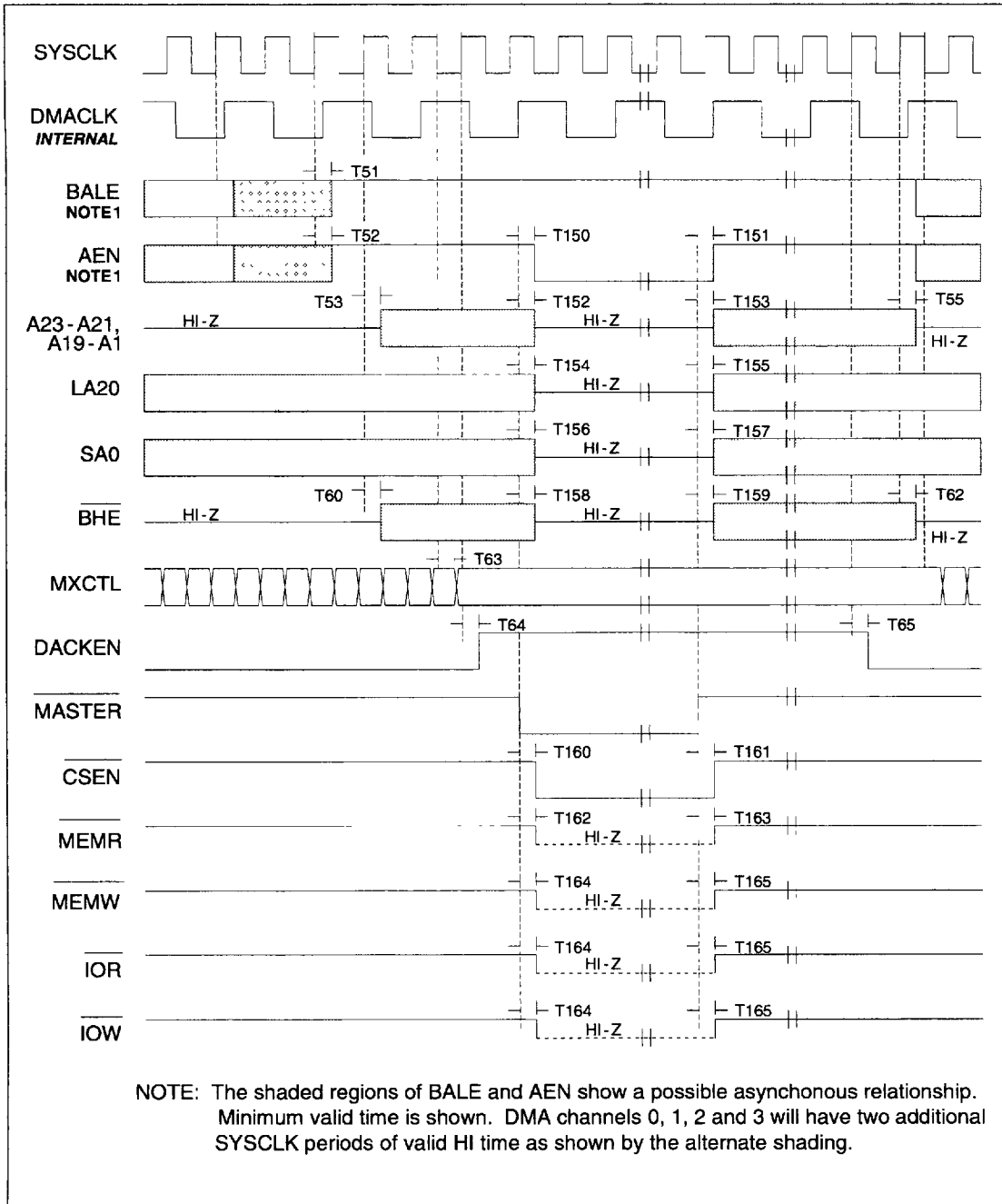


FIGURE 14-30. AT BUS MASTER, BUS ACQUISITION/RELEASE



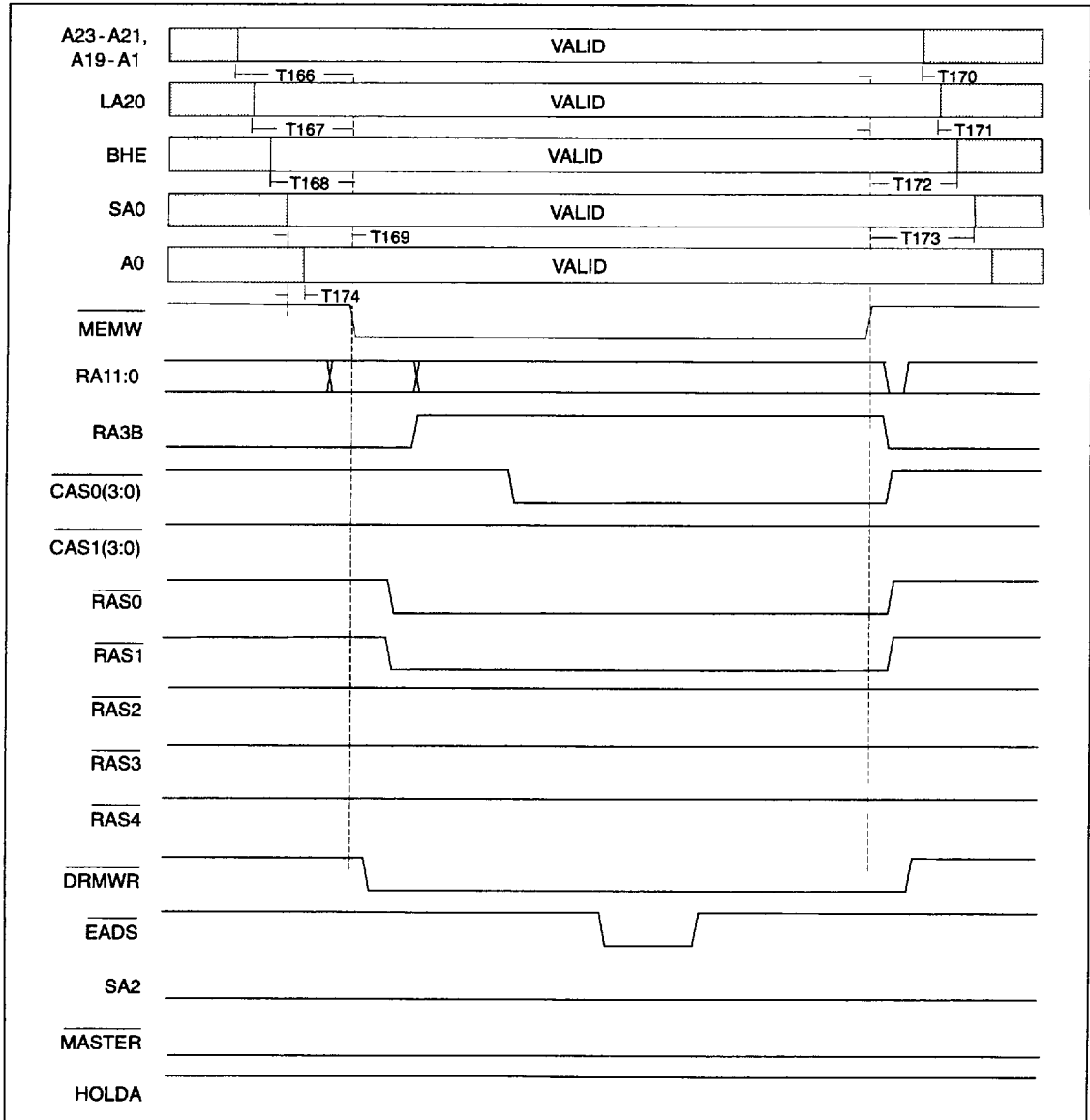


FIGURE 14-31. AT BUS MASTER, WRITE TO ON-BOARD MEMORY



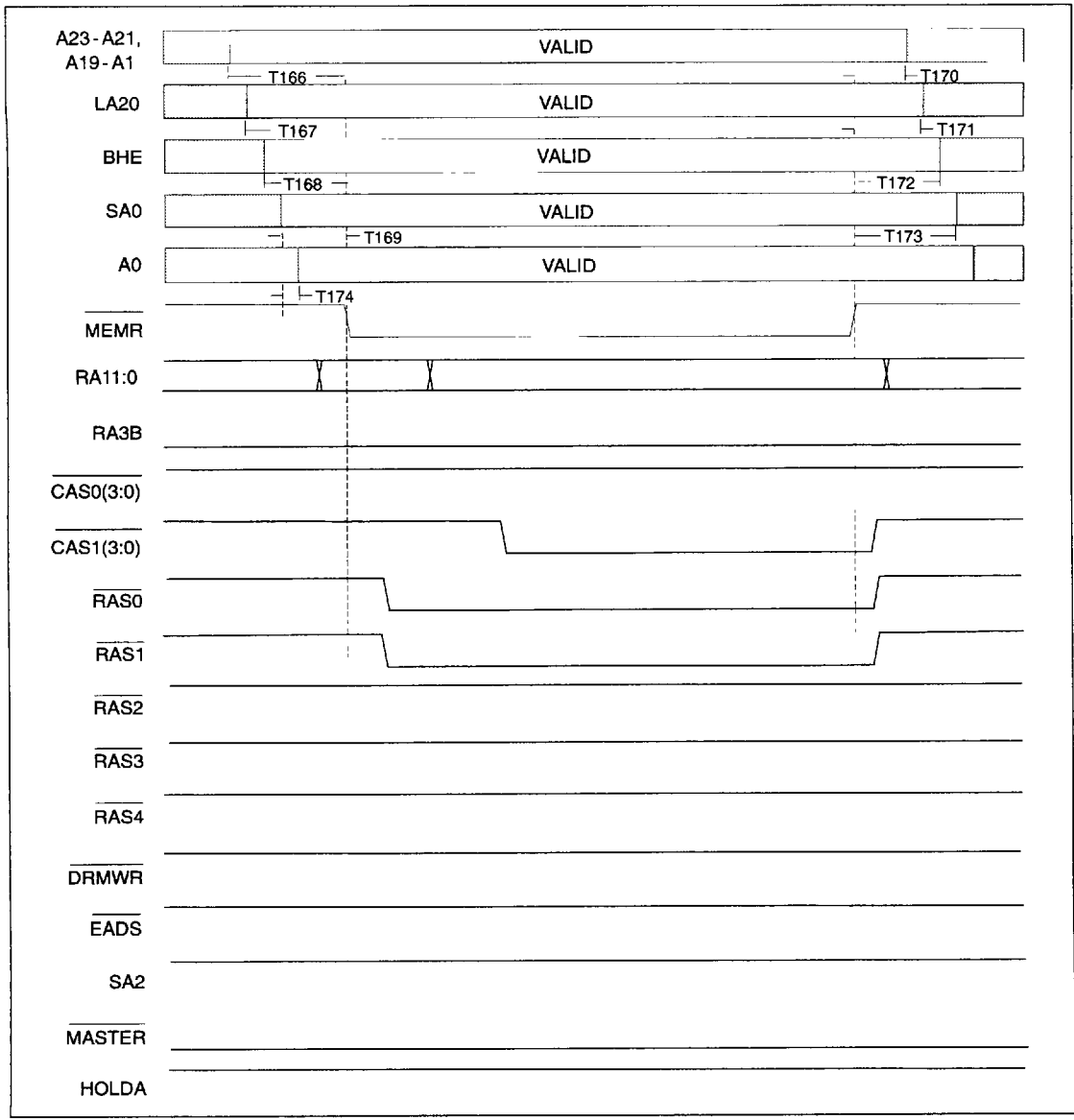


FIGURE 14-32. AT BUS MASTER, READ FROM ON-BOARD MEMORY



14.2.4 AT Bus Refresh

SYMBOL	CHARACTERISTIC	MIN	MAX	UNITS	TEST CONDITIONS
T320	REFRESH low before SYSCLK rise	4		ns	REFRESH setup is number given plus (T00 × 0.25)
T321	SYSCLK fall to REFRESH rise		16	ns	
T325	SYSCLK rise to A(31:2) valid		35	ns	
T326	SYSCLK fall to A(31:2) invalid	2			
T329	SYSCLK rise to LA20 valid		30	ns	
T330	SYSCLK fall to LA20 invalid	2		ns	
T331	SYSCLK rise to SA0 valid		30	ns	
T332	SYSCLK fall to SA0 invalid	2		ns	
T333	SYSCLK rise to MEMR low		8	ns	
T334	SYSCLK rise to MEMR high		7	ns	
T335	IOCHRDY setup to SYSCLK rise	23		ns	
T336	IOCHRDY hold time from SYSCLK rise	0		ns	

TABLE 14-7. AT BUS REFRESH CYCLE, DEFAULT TIMING

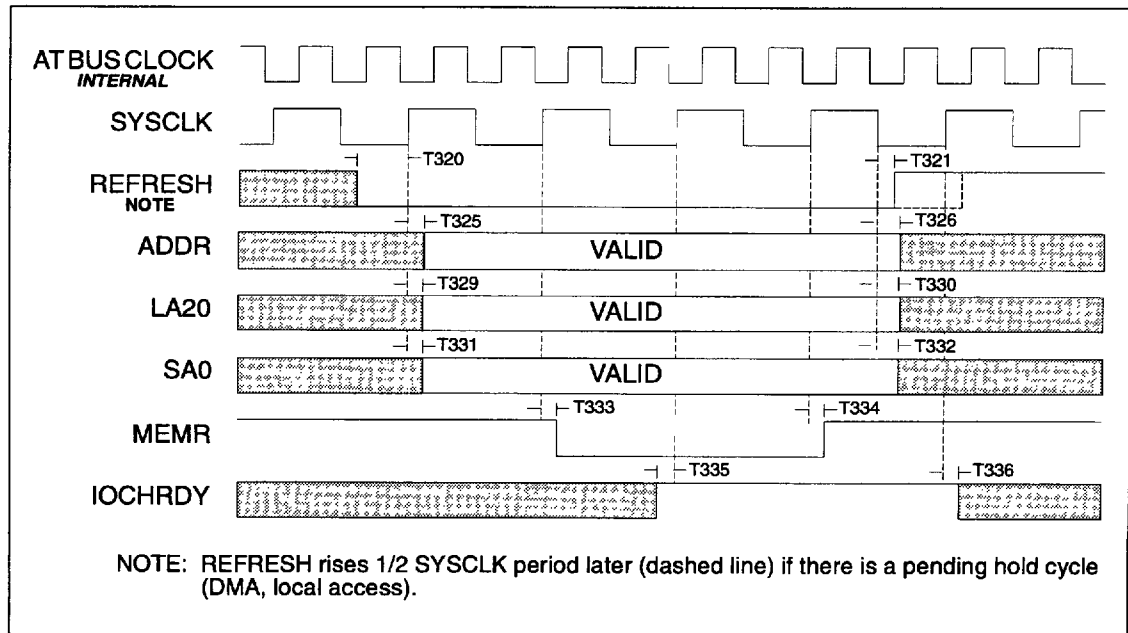


FIGURE 14-33. AT BUS REFRESH CYCLE, DEFAULT TIMING



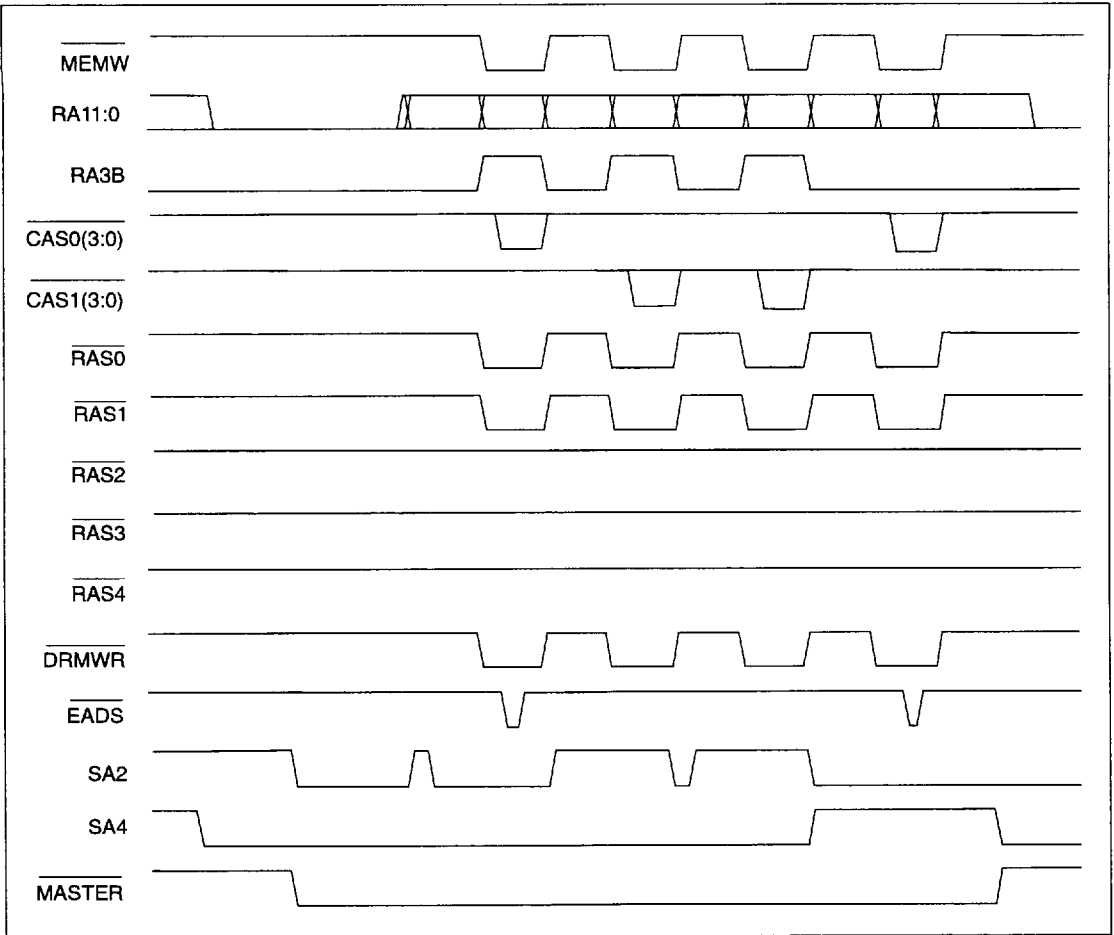


FIGURE 14-34. MULTIPLE BUS MASTER WRITE CYCLE, CACHE INVALIDATION



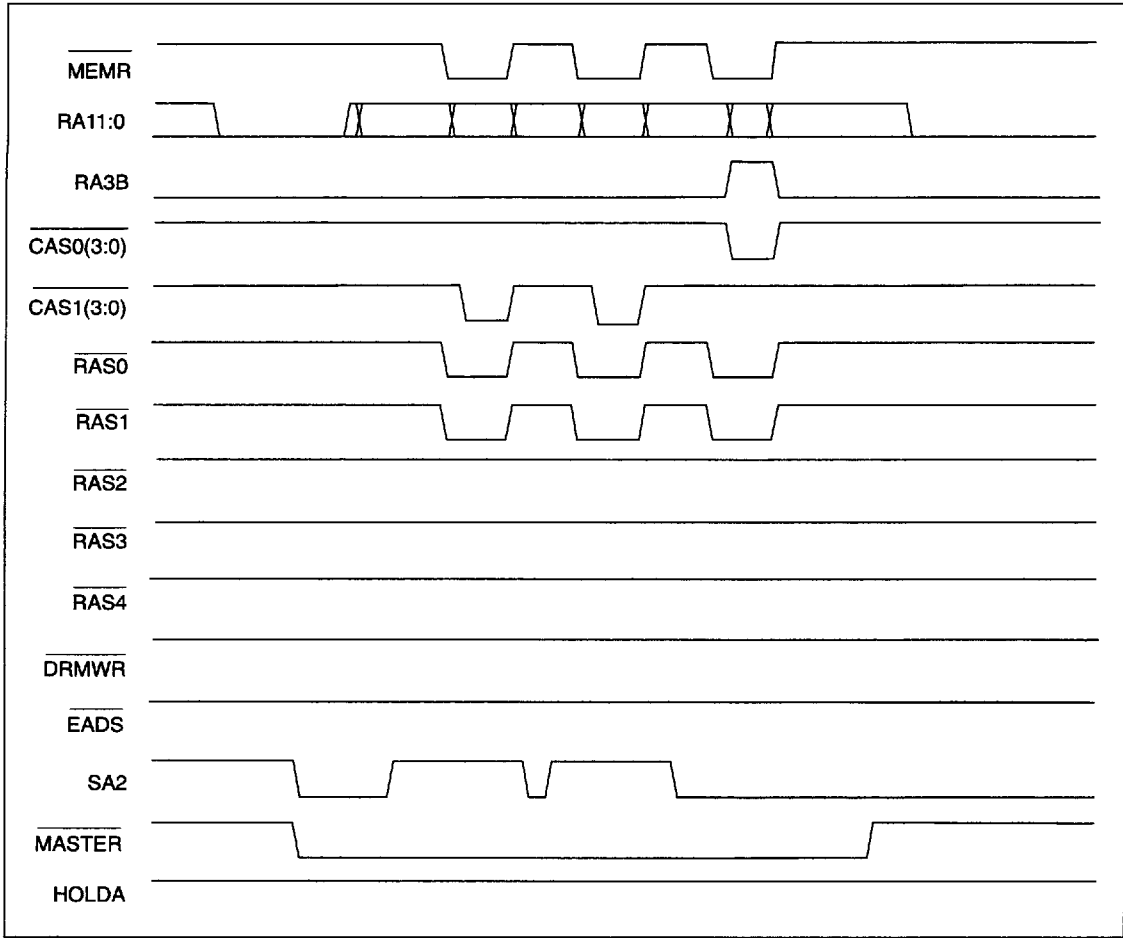


FIGURE 14-35. MULTIPLE BUS MASTER READ CYCLES, INTERLEAVE ON





## 14.3 PROCESSOR TIMING

This section covers the 5 volt and 3.3 volt WD8110/LV timing parameters for the 80486 CPU.

SYMBOL	CHARACTERISTICS	25 MHz		33 MHz		UNITS
		MIN	MAX	MIN	MAX	
T451	CPUCLK rise to CPURES rise delay		17		15	ns
T452	CPUCLK rise to CPURES fall delay		11		9	ns
T453	CPUCLK rise to NPRST rise delay		17		15	ns
T454	CPUCLK rise to NPRST fall delay		11		9	ns
T455	$\overline{\text{RDYIN}}$ setup time to CPUCLK rise	12		9		ns
T456	$\overline{\text{PCHK486}}$ setup time to CPUCLK rise	12		8		ns
T457	$\overline{\text{BLAST}}$ setup time to CPUCLK rise	12		9		ns
T462	$\overline{\text{ADS}}$ setup time to CPUCLK rise	21		14		ns
T463	$\overline{\text{ADS}}$ hold time from CPUCLK rise	3		3		ns
T464	$\overline{\text{W/R}}$ setup time to CPUCLK rise	21		14		ns
T465	$\overline{\text{W/R}}$ hold time from CPUCLK rise	3		3		ns
T466	$\overline{\text{D/C}}$ setup time to CPUCLK rise	21		14		ns
T467	$\overline{\text{D/C}}$ hold time from CPUCLK rise	3		3		ns
T468	$\overline{\text{M/IO}}$ setup time to CPUCLK rise	21		14		ns
T469	$\overline{\text{M/IO}}$ hold time from CPUCLK rise	3		3		ns
T472	HOLDA setup time to CPUCLK rise	21				
T473	HOLDA hold time from CPUCLK rise	3				
T474	HOLDR valid delay from CPUCLK rise		25		20	
T477	D(31:00) setup time to CPUCLK rise					
T478	D(31:00) hold time from CPUCLK rise					
T479	A(31:2), BE(3:0) setup time to CPUCLK fall in T2 state	15		10		ns
T480	LDS32 setup time with CPUCLK rise in T2 state	15		10		ns

TABLE 14-8. CPU TIMING



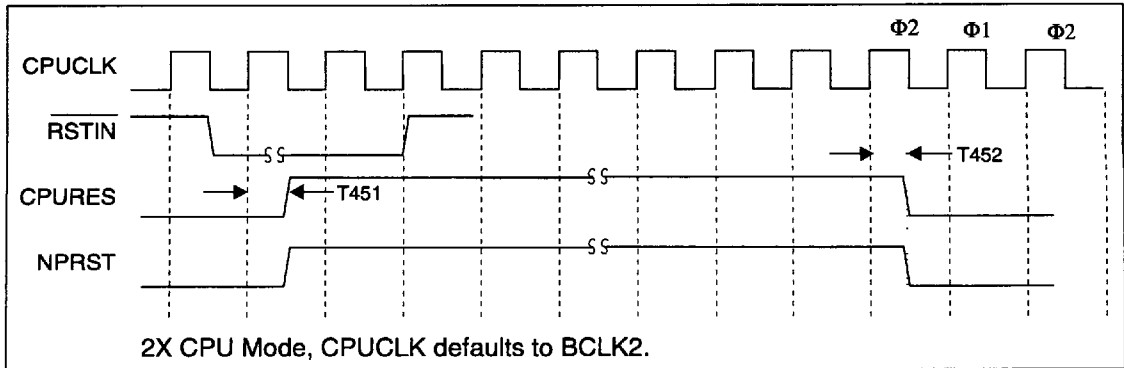


FIGURE 14-36. CPURES AND NPRST DURING POWER UP - 2X CPU MODE

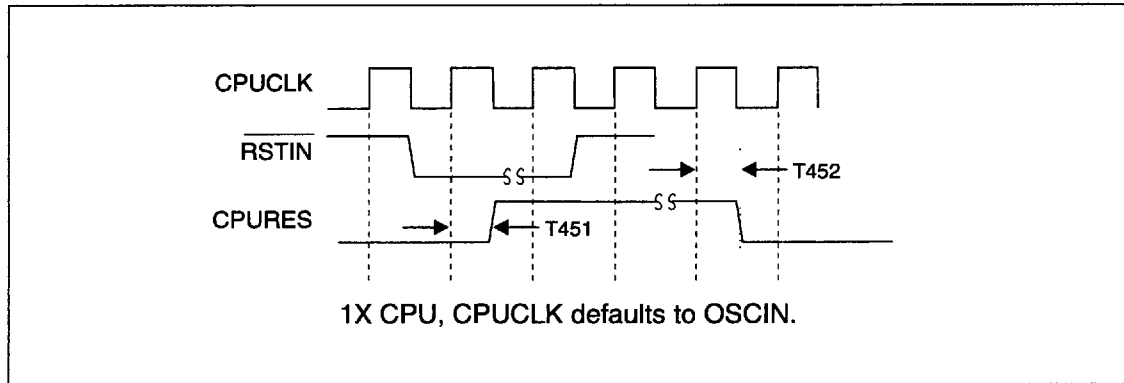
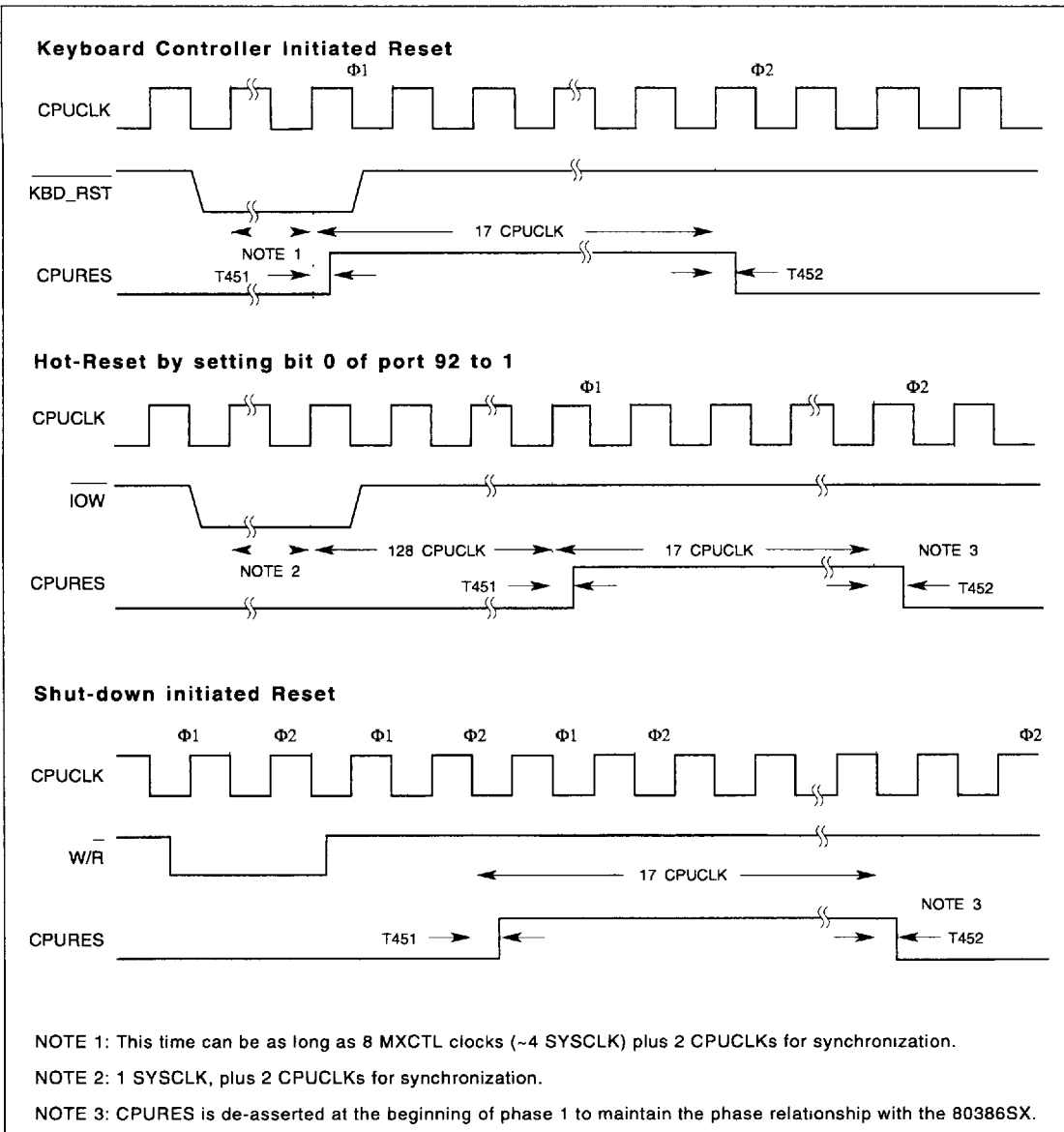


FIGURE 14-37. CPURES AND NPRST DURING POWER UP - 1X CPU MODE





**FIGURE 14-38. PROCESSOR RESET (CPURES) INITIATED BY SOURCES OTHER THAN POWER UP RESET**

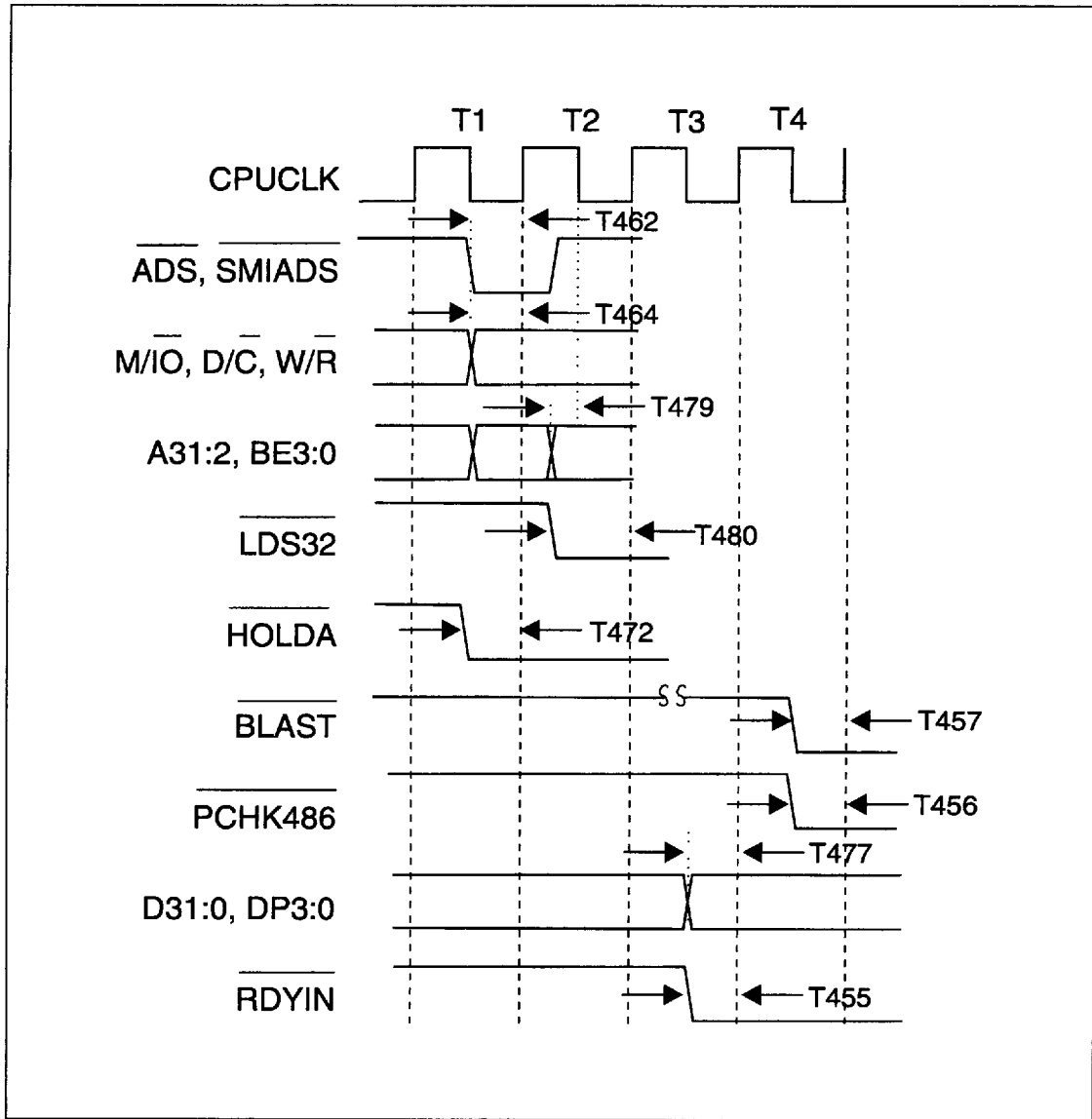
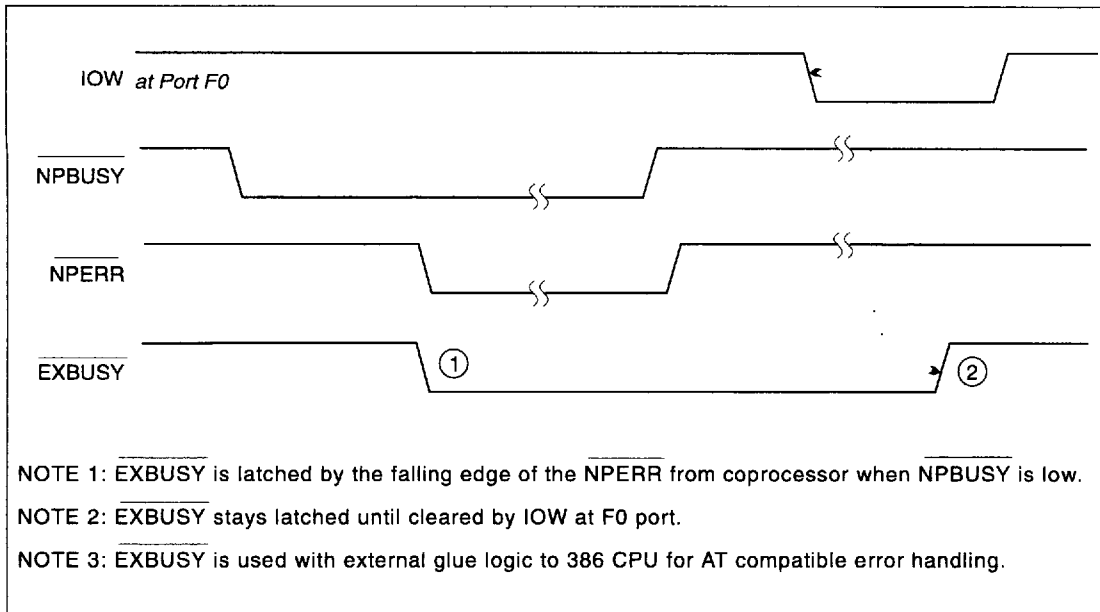


FIGURE 14-39. BUSYCPU ASSERTION DURING COPROCESSOR ACCESS





**FIGURE 14-40. LATCHING  $\overline{\text{BUSYCPU}}$  WHEN AN ERROR OCCURS AND CLEARING IT WITH A WRITE TO PORT F0**



SYMBOL	CHARACTERISTIC	MIN	MAX	UNIT
T350	SMIADS setup time to CPUCLK rise	10		ns
T351	CPUCLK rise to $\overline{\text{SMI}}$ low output delay		25	ns
T352	CPUCLK rise to $\overline{\text{NA}}$ output delay		15	ns
T353	CPUCLK rise to $\overline{\text{SMIRDY}}$ output delay		18	ns

TABLE 14-9. WD8110/LV SMI TIMING

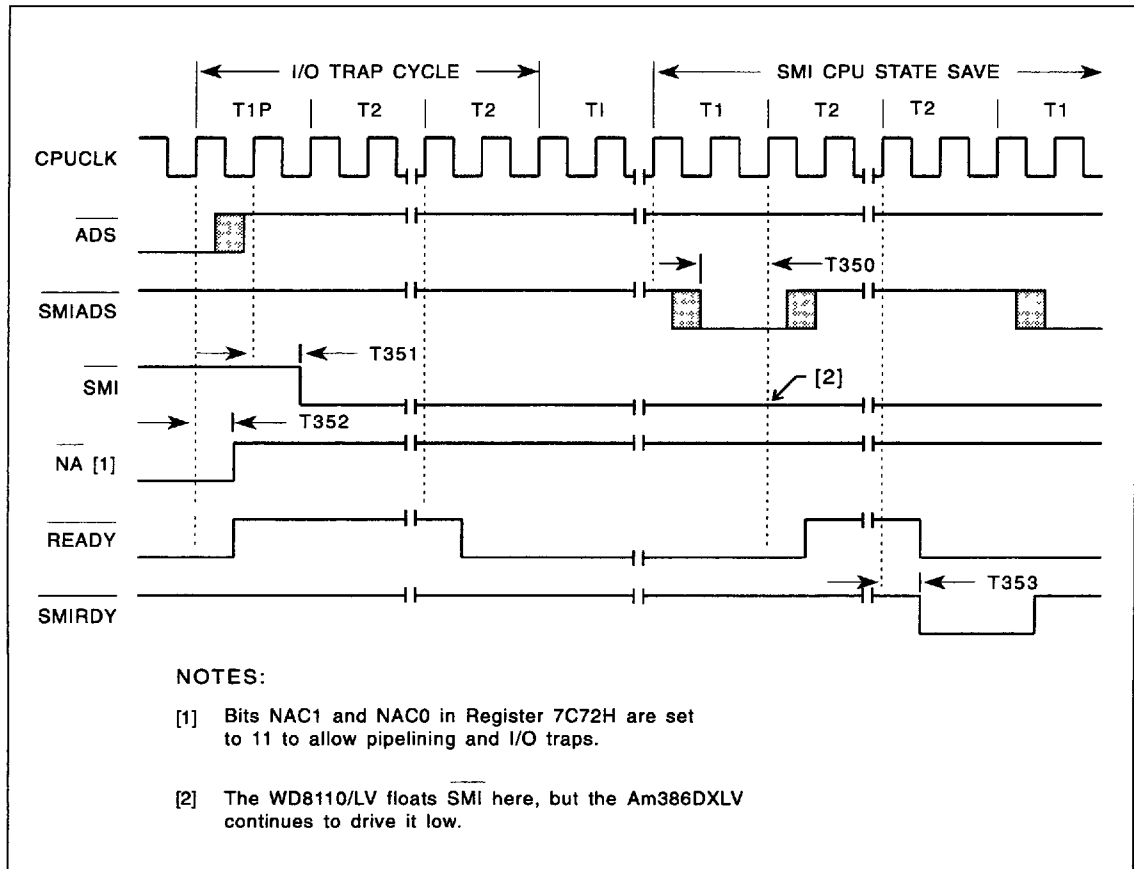


FIGURE 14-41. I/O TRAP CYCLE WITH AM386DXLV



14.4 CLOCK TIMING

CLOCK	VOL	VOH	TH	TL	T	TF	TR
CPUCLK, LBCLK	0.5	V <sub>DD</sub> - .5	11 ns. min.	11 ns. min.		3 ns. max.	3 ns. max.
SYSCLK			T±2-4 ns. min.		100 ns. min.		

TABLE 14-10. OUTPUT CLOCK TIMING FOR 1X33 MHz

CLOCK	VOL	VOH	TH	TL	T	TF	TR
CPUCLK, LBCLK	0.5	V <sub>DD</sub> - .5	6 ns. min.	6 ns. min.		3 ns. max.	3 ns. max.
SYSCLK			T±2-4 ns. min.		100 ns. min.		

TABLE 14-11. OUTPUT CLOCK TIMING FOR 2X66 MHz

CLOCK	VOL	VOH	SYMMETRY	TF	TR
BCLK2, OSCIN	0.4	2.4	40/60% measured at 1.4V	5 ns. max.	5 ns. max.

TABLE 14-12. INPUT CLOCK TIMING

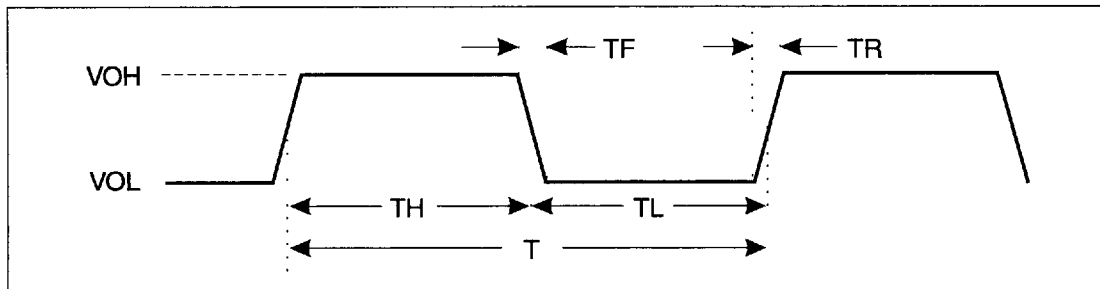


FIGURE 14-42. CLOCK TIMING



## 15.0 PIN STATES DURING CHIP RESET, SUSPEND AND CPU POWER DOWN

PIN NUMBER	SIGNAL NAME	RESET STATE	PROCESSOR POWER DOWN		FULL POWER DOWN	
			Input	Output	Input	Output
<b>INITIALIZATION AND CLOCKING</b>						
23	CLK14	Input	I		I	
104	BCLK2	Input	I		IH	
105	OSCIN	Input	I		IH	
107	LBCLK	Output		Z		Z
198	RSTIN	Input	I		I	
<b>AT BUS</b>						
1	AEN	Low		O		Z
2	BALE	Low		O		Z
3	SYSCLK	Low		O		Z
4	LOWMEG	Output		O		Z
5	SD15	Input	I	O	IL	Z
6	SD14	Input	I	O	IL	Z
7	SD13	Input	I	O	IL	Z
8	SD12	Input	I	O	IL	Z
9	SD11	Input	I	O	IL	Z
10	SD10	Input	I	O	IL	Z
11	SD9	Input	I	O	IL	Z
12	SD8	Input	I	O	IL	Z
13	SD7	Input	I	O	IL	Z
15	SD6	Input	I	O	IL	Z
16	SD5	Input	I	O	IL	Z
18	SD4	Input	I	O	IL	Z
19	SD3	Input	I	O	IL	Z
20	SD2	Input	I	O	IL	Z
21	SD1	Input	I	O	IL	Z
22	SD0	Input	I	O	IL	Z
IH	Input internally forced high in power-down mode.					
IL	Input internally forced low in power-down mode.					
Z	Output tristated in power-down mode.					

TABLE 15-1. PIN STATES DURING CHIP RESET, SUSPEND, CPU PWD.





PIN NUMBER	SIGNAL NAME	RESET STATE	PROCESSOR POWER DOWN		FULL POWER DOWN	
			Input	Output	Input	Output
<b>AT BUS Continued</b>						
31	DRQ7	Input	I		IL	
32	DRQ6	Input	I		IL	
33	DRQ5	Input	I		IL	
34	DRQ3	Input	I		IL	
35	DRQ2	Input	I		IL	
36	DRQ1	Input	I		IL	
38	DRQ0	Input	I		IL	
39	SMEMW	②	I	O	IH	Z
24	MASTER ③	Input	I		IH	
25	IOCK ③	Input	I		IH	
26	IOCHRDY ③	Input	I		IH	
27	ZEROWS ③	Input	I		IH	
29	MEMCS16 ③	Input	I		IH	
30	IOCS16 ③	Input	I		IH	
40	REFRESH ③	High	I	O	IH	O
42	SBHE ③	High	I	O	IH	Z
43	LA20	Output ①	I	O	IH	Z
44	IOW ③	High ①	I	O	IH	Z
45	IOR ③	High ①	I	O	IH	Z
46	MEMW ③	High ①	I	O	IH	Z
47	MEMR ③	High ①	I	O	IH	Z
48	SA1	Output ①	I	O	IH	Z
49	SA0	Output ①	I	O	IH	Z
153	CSEN	④ Low		O		O
154	MXCTL0	Low		O		O
155	MXCTL1	Low		O		O
156	MXCTL2	High		O		O
①	This pin is tristated if master = 0. For test purposes, if MASTER is asserted, outputs are tristated and the pins become inputs.					
②	High if Weitek Mode is not selected. Input if Weitek Mode is selected.					
③	Internal 50 Kohm pullup, disabled in power-down mode.					
④	Strap option input sensed while RSTIN active, then becomes an output.					
IH	Input internally forced high in power-down mode.					
IL	Input internally forced low in power-down mode.					
Z	Output tristated in power-down mode.					

TABLE 15-1. PIN STATES DURING CHIP RESET, SUSPEND, CPU PWD. (Continued)



PIN NUMBER	SIGNAL NAME	RESET STATE	PROCESSOR POWER DOWN		FULL POWER DOWN	
			Input	Output	Input	Output
<b>AT BUS Continued</b>						
193	IRQSET0	Input	I		IH	
195	IRQSET1	Input	I		IH	
200	SPKR	Low		O		O
208	DACKEN	High		O		O
<b>MAIN PROCESSOR CONTROL</b>						
101	SMIRDY	④ High	IH	Z	IH	Z
102	SMI <sup>③</sup>	Input	IH	Z	IH	Z
125	ADS <sup>③</sup>	Input	IH		IH	
196	SMIADS <sup>③</sup>	Input	IH		IH	
52	NMI	Low		Z		Z
54	INTRQ	Output		Z		Z
55	A31 <sup>⑦</sup>	⑤	IL	Z	IL	Z
56	A29 <sup>⑦</sup>	⑥	IL	Z	IL	Z
57	A27 <sup>⑦</sup>	⑤	IL	Z	IL	Z
58	A26 <sup>⑦</sup>	Input	IL	Z	IL	Z
59	A25 <sup>⑦</sup>	Input	IL	Z	IL	Z
60	A24 <sup>⑦</sup>	Input	IL	Z	IL	Z
61	A23 <sup>⑦</sup>	Input	IL	Z	IL	Z
62	A22 <sup>⑦</sup>	Input	IL	Z	IL	Z
63	A21 <sup>⑦</sup>	Input	IL	Z	IL	Z
64	A20 <sup>⑦</sup>	Input	IL	Z	IL	Z
65	A19 <sup>⑦</sup>	Input	IL	Z	IL	Z
67	A18 <sup>⑦</sup>	Input	IL	Z	IL	Z
68	A17 <sup>⑦</sup>	Input	IL	Z	IL	Z
<p>③ Internal 50 kohm pullup, disabled in power-down mode.</p> <p>④ Strap option input sensed while <math>\overline{RSTIN}</math> active, then becomes an output.</p> <p>⑤ Inputs when not in 80386SX mode (pin 55 = A31, pin 57 = A27). Outputs in 80386SX mode (pin 55 = <math>\overline{SXLOWEN}</math>, pin 57 = <math>\overline{SXSWPEN}</math>).</p> <p>⑥ Input when in Weitek mode (A29). High output when not in Weitek mode (<math>\overline{STP\_REQ}</math>).</p> <p>⑦ 100 Kohm pulldown resistors are turned on when the processor is in power-down or suspend mode to prevent the data bus or address bus from floating. In normal operation these pull down resistors are turned off.</p> <p>IH Input internally forced high in power-down mode.</p> <p>IL Input internally forced low in power-down mode.</p> <p>Z Output tristated in power-down mode.</p>						

TABLE 15-1. PIN STATES DURING CHIP RESET, SUSPEND, CPU PWD. (Continued)



PIN NUMBER	SIGNAL NAME	RESET STATE	PROCESSOR POWER DOWN		FULL POWER DOWN		
			Input	Output	Input	Output	
<b>MAIN PROCESSOR CONTROL Continued</b>							
69	A16	⑦	Input	IL	Z	IL	Z
70	A15	⑦	Input	IL	Z	IL	Z
72	A14	⑦	Input	IL	Z	IL	Z
73	A13	⑦	Input	IL	Z	IL	Z
74	A12	⑦	Input	IL	Z	IL	Z
75	A11	⑦	Input	IL	Z	IL	Z
76	A10	⑦	Input	IL	Z	IL	Z
77	A9	⑦	Input	IL	Z	IL	Z
78	A8	⑦	Input	IL	Z	IL	Z
79	A7	⑦	Input	IL	Z	IL	Z
81	A6	⑦	Input	IL	Z	IL	Z
82	A5	⑦	Input	IL	Z	IL	Z
83	A4	⑦	Input	IL	Z	IL	Z
84	A3	⑦	Input	IL	Z	IL	Z
85	A2	⑦	Input	IL	Z	IL	Z
87	BE $\bar{3}$		Input	IH		IH	
89	BE $\bar{2}$		Input	IH		IH	
90	BE $\bar{1}$		Input	IH		IH	
91	BE $\bar{0}$		Input	IH		IH	
93	BRDY486		High		Z		Z
99	CPURES	③	High		Z		Z
106	CPUCLK		Output	IL	Z	IL	Z
108	EADS		④ Output		Z		Z
126	W/R	③	Input	IH		IH	
127	D/C	③	Input	IH		IH	
128	M/I $\bar{O}$	③	Input	IL		IL	
<p>③ Internal 50 kohm pullup, disabled in power-down mode.</p> <p>④ Strap option input sensed while RSTIN active, then becomes an output.</p> <p>⑦ 100 Kohm pulldown resistors are turned on when the processor is in power-down or suspend mode to prevent the data bus or address bus from floating. In normal operation these pull down resistors are turned off.</p> <p>IH Input internally forced high in power-down mode.</p> <p>IL Input internally forced low in power-down mode.</p> <p>Z Output tristated in power-down mode.</p>							

TABLE 15-1. PIN STATES DURING CHIP RESET, SUSPEND, CPU PWD. (Continued)



PIN NUMBER	SIGNAL NAME	RESET STATE	PROCESSOR POWER DOWN		FULL POWER DOWN	
			Input	Output	Input	Output
<b>MAIN PROCESSOR CONTROL Continued</b>						
133	SUSPA	Input	IH		IH	
134	PCHK486	Input	IL		IL	
135	BLAST	Input	IL		IL	
152	RDY486	High		Z		Z
197	HOLDA	Input	IL		IL	
199	HOLDR	Low		Z		Z
103	KEN	④ Output		Z		Z
151	A20GT	④ High		Z		Z
207	BS16	High		Z		Z
<b>NUMERIC PROCESSOR CONTROL</b>						
92	NPERR	③ Input	IH		IH	
94	NPBUSY	⑧	IH	⑨	IH	Z
100	NPRST	③ High		Z		Z
<b>DRAM MEMORY</b>						
50	MDEN	High		O		Z
51	MDIR	Low		O		Z
53	DRMWR	High		O		O
110	RAS0	High		O		O
111	RAS1	High		O		O
112	RAS2	High		O		O
113	RAS3	High		O		O
114	RAS4	High		O		O
115	CAS03	High		O		O
116	CAS02	High		O		O
118	CAS01	High		O		O
119	CAS00	High		O		O
<p>③ Internal 50 kohm pullup, disabled in power-down mode.</p> <p>④ Strap option input sensed while RSTIN active, then becomes an output.</p> <p>⑧ Input if external coprocessor mode is selected by pin 108 strap option. High if external coprocessor mode is not selected.</p> <p>⑨ Z if external coprocessor mode is selected by pin 108 strap option. O if external coprocessor mode is not selected.</p> <p>IH Input internally forced high in power-down mode.</p> <p>IL Input internally forced low in power-down mode.</p> <p>Z Output tristated in power-down mode.</p>						

TABLE 15-1. PIN STATES DURING CHIP RESET, SUSPEND, CPU PWD. (Continued)



PIN NUMBER	SIGNAL NAME	RESET STATE	PROCESSOR POWER DOWN		FULL POWER DOWN	
			Input	Output	Input	Output
<b>DRAM MEMORY Continued</b>						
121	CAS13	High		O		O
122	CAS12	High		O		O
123	CAS11	High		O		O
124	CAS10	High		O		O
136	RA0/ED0	Output	I	O	I	O
137	RA1/ED1	Output	I	O	I	O
138	RA2/ED2	Output	I	O	I	O
140	RA3A/CS3	Output		O		O
141	RA3B/CS4	Output		O		O
142	RA4/ED3	Output	I	O	I	O
143	RA5/ED4	Output	I	O	I	O
144	RA6/ED5	Output	I	O	I	O
145	RA7/ED6	Output	I	O	I	O
147	RA8/ED7	Output	I	O	I	O
148	RA9/CS0	Output		O		O
149	RA10/CS1	Output		O		O
150	RA11/CS2	Output		O		O
<b>DATA BUS</b>						
86	RDYIN	Input	IL		IL	
130	LDS32 <sup>③</sup>	Input	I		IH	
157	D0 <sup>⑦</sup>	Input	IL	Z	IL	Z
158	D1 <sup>⑦</sup>	Input	IL	Z	IL	Z
159	D2 <sup>⑦</sup>	Input	IL	Z	IL	Z
160	D3 <sup>⑦</sup>	Input	IL	Z	IL	Z
161	D4 <sup>⑦</sup>	Input	IL	Z	IL	Z
162	D5 <sup>⑦</sup>	Input	IL	Z	IL	Z
163	D6 <sup>⑦</sup>	Input	IL	Z	IL	Z
<p>③ Internal 50 kohm pullup, disabled in power-down mode.</p> <p>⑦ 100 Kohm pulldown resistors are turned on when the processor is in power-down or suspend mode to prevent the data bus or address bus from floating. In normal operation these pull down resistors are turned off.</p> <p>IH Input internally forced high in power-down mode.</p> <p>IL Input internally forced low in power-down mode.</p> <p>Z Output tristated in power-down mode.</p>						

TABLE 15-1. PIN STATES DURING CHIP RESET, SUSPEND, CPU PWD. (Continued)



PIN NUMBER	SIGNAL NAME	RESET STATE	PROCESSOR POWER DOWN		FULL POWER DOWN		
			Input	Output	Input	Output	
<b>DATA BUS Continued</b>							
164	D7	⑦	Input	IL	Z	IL	Z
165	D8	⑦	Input	IL	Z	IL	Z
167	D9	⑦	Input	IL	Z	IL	Z
168	D10	⑦	Input	IL	Z	IL	Z
169	D11	⑦	Input	IL	Z	IL	Z
170	D12	⑦	Input	IL	Z	IL	Z
171	D13	⑦	Input	IL	Z	IL	Z
172	D14	⑦	Input	IL	Z	IL	Z
174	D15	⑦	Input	IL	Z	IL	Z
175	D16	⑦	Input	IL	Z	IL	Z
176	D17	⑦	Input	IL	Z	IL	Z
177	D18	⑦	Input	IL	Z	IL	Z
178	D19	⑦	Input	IL	Z	IL	Z
179	D20	⑦	Input	IL	Z	IL	Z
180	D21	⑦	Input	IL	Z	IL	Z
181	D22	⑦	Input	IL	Z	IL	Z
182	D23	⑦	Input	IL	Z	IL	Z
183	D24	⑦	Input	IL	Z	IL	Z
185	D25	⑦	Input	IL	Z	IL	Z
186	D26	⑦	Input	IL	Z	IL	Z
187	D27	⑦	Input	IL	Z	IL	Z
188	D28	⑦	Input	IL	Z	IL	Z
189	D29	⑦	Input	IL	Z	IL	Z
191	D30	⑦	Input	IL	Z	IL	Z
192	D31	⑦	Input	IL	Z	IL	Z
<p>⑦ 100 Kohm pulldown resistors are turned on when the processor is in power-down or suspend mode to prevent the data bus or address bus from floating. In normal operation these pull down resistors are turned off.</p> <p>IH Input internally forced high in power-down mode.</p> <p>IL Input internally forced low in power-down mode.</p> <p>Z Output tristated in power-down mode.</p>							

TABLE 15-1. PIN STATES DURING CHIP RESET, SUSPEND, CPU PWD. (Continued)



PIN NUMBER	SIGNAL NAME	RESET STATE	PROCESSOR POWER DOWN		FULL POWER DOWN	
			Input	Output	Input	Output
<b>DATA BUS Continued</b>						
201	DP0	Input	IH	Z	IH	Z
203	DP1	Input	IH	Z	IH	Z
204	DP2	Input	IH	Z	IH	Z
205	DP3	Input	IH	Z	IH	Z
<b>POWER MANAGEMENT CONTROL</b>						
129	PDREF <sup>③</sup>	Input	I		I	
132	PM CIN	Input	I		I	
<b>MISCELLANEOUS</b>						
96	ROMBA16 <sup>④</sup>	Output		O		Z
97	ROMBA17 <sup>④</sup>	Output		O		Z
98	ROMBA18 <sup>④</sup>	Output		O		Z
206	EXBUSY	High		Ⓣ		Z
<p>③ Internal 50 kohm pullup, disabled in power-down mode.</p> <p>④ Strap option input sensed while RSTIN active, then becomes an output.</p> <p>Ⓣ Z if pin 206 is selected as EXBUSY. O if pin 206 is selected as GPREGRD.</p> <p>IH Input internally forced high in power-down mode.</p> <p>IL Input internally forced low in power-down mode.</p> <p>Z Output tristated in power-down mode.</p>						

TABLE 15-1. PIN STATES DURING CHIP RESET, SUSPEND, CPU PWD. (Continued)



Pin Number	Signal Name
14	VSS
28	VSS
41	VSS
66	VSS
80	VSS
95	VSS
109	VSS
117	VSS
131	VSS
146	VSS
166	VSS
181	VSS
194	VSS
202	VSS
17	VDD5
37	VDD5
71	VDD3
88	VDD3
120	VDD3
139	VDD3
173	VDD3
190	VDD3

TABLE 15-2. POWER AND GROUND





## 16.0 I/O PIN MAPPING AND ASSIGNMENT

WD8110/LV provides in-circuit testability. During testing, all pins will follow the mapped connection shown in Table 16-1 and Figure 16-1 when I/O Pin Mapping Mode is activated. By providing the input levels, it is possible to check in-circuit shorts and opens at chip or board level.

### To activate the I/O Pin Mapping Mode:

While  $\overline{\text{MASTER}}$ ,  $\overline{\text{MEMR}}$ ,  $\overline{\text{MEMW}}$  and A2 are asserted and A3 de-asserted, assert  $\overline{\text{RSTIN}}$ . The WD8110/LV remains latched in this mode if  $\overline{\text{RSTIN}}$  is de-asserted while the

above conditions are maintained.  $\overline{\text{MASTER}}$ ,  $\overline{\text{MEMR}}$ ,  $\overline{\text{MEMW}}$ , A2 and A3 may change state while the WD8110/LV is latched in this mode.

### To de-activate the I/O Pin Mapping Mode:

Assert  $\overline{\text{RSTIN}}$  while either  $\overline{\text{MEMR}}$ ,  $\overline{\text{MEMW}}$ ,  $\overline{\text{MASTER}}$  or A2 are de-asserted or A3 is asserted.

All grouped input pins are ORed together.

See Section 10 for more information regarding other diagnostic modes.

INPUT PINS		OUTPUT PINS	
PIN NUMBER	SIGNAL NAME	PIN NUMBER	SIGNAL NAME
5, 7, 9, 11	SD15, SD13, SD11, SD9	1	AEN
12, 15, 18, 20	SD8, SD6, SD4, SD2	2	BALE
13, 16, 19, 21, 40	SD7, SD5, SD3, SD1, $\overline{\text{REFRESH}}$	3	SYSCLK
23, 25, 39, 42	CLK14, IOCHK, $\overline{\text{SMEMW}}$ , $\overline{\text{SBHE}}$	4	$\overline{\text{LOWMEG}}$
22, 24, 26, 29, 49, 47, 56, 58	SD0, $\overline{\text{MASTER}}$ , IOCHRDY, $\overline{\text{MEMCS16}}$ , SA0, $\overline{\text{MEMR}}$ , A29, A26	52	NMI
27, 30, 32, 34, 36, 46, 44, 51	$\overline{\text{ZEROWS}}$ , $\overline{\text{IOCS16}}$ , DRQ6, DRQ1, $\overline{\text{MEMW}}$ , IOW, MDIR	53	$\overline{\text{DRMWR}}$
31, 33, 35, 38, 48, 45, 43, 50	DRQ7, DRQ5, DRQ2, DRQ0, SA1, $\overline{\text{IOR}}$ , LA20, MDEN	54	INTRQ
60, 62, 64, 67	A24, A22, A20, A18	93	$\overline{\text{BRDY486}}$
55, 57, 59, 61, 63, 65, 68, 92	A31, A27, A25, A23, A21, A19, A17, $\overline{\text{NPERR}}$	99	CPURES
69, 72, 74, 94	A16, A14, A12, $\overline{\text{GPREGWR}}$	100	$\overline{\text{NPRST}}$
70, 73, 75, 77	A15, A13, A11, A9	110	$\overline{\text{RAS0}}$
76, 78, 81, 83	A10, A8, A6, A4	111	$\overline{\text{RAS1}}$
79, 82, 84, 86	A7, A5, A3, $\overline{\text{RDYIN}}$	112	$\overline{\text{RAS2}}$
85, 87, 90, 97	A2, $\overline{\text{BE3}}$ , $\overline{\text{BE1}}$ , ROMBA17	113	$\overline{\text{RAS3}}$
89, 91, 96, 98	$\overline{\text{BE2}}$ , $\overline{\text{BE0}}$ , ROMBA16, ROMBA18	114	$\overline{\text{RAS4}}$
101, 103	$\overline{\text{SMIRDY}}$ , KEN	115	$\overline{\text{CAS03}}$
105	OSCIN	107	LBCLK
102, 104, 106, 108	$\overline{\text{SMI}}$ , BCLK2, CLK486, $\overline{\text{EADS}}$	116	$\overline{\text{CAS02}}$
132, 129, 127, 125	$\overline{\text{PMCIN}}$ , PDREF, D/C, ADS	118	$\overline{\text{CAS01*}}$
133, 130, 128, 126	$\overline{\text{SUSPA}}$ , $\overline{\text{LDS32}}$ , M/I $\overline{\text{O}}$ , W/R	119	$\overline{\text{CAS00}}$

TABLE 16-1. WD8110/LV PIN SCAN MAP



INPUT PINS		OUTPUT PINS	
PIN NUMBER	SIGNAL NAME	PIN NUMBER	SIGNAL NAME
142, 137, 135	RA4, RA1, BLAST	121	CAS13
143, 138, 136, 134	RA5, RA2, RA0, PCHK486	122	CAS12
151, 147, 144	A20GT, RA8, RA6	123	CAS11
153, 145	CSEN, RA5	124	CAS10
157, 159, 161, 163	D0, D2, D4, D6	140, 148	RA3A, RA9
158, 160, 162, 164	D1, D3, D5, D7	141, 149	RA3B, RA10
165, 167, 169, 171	D8, D9, D11, D13	152, 150	RDY486, RA11
168, 170, 172, 174	D10, D12, D14, D15	154	MXCTL0
175, 177, 179, 182	D16, D18, D20, D22	155	MXCTL1
180, 183, 185, 187	D21, D23, D25, D27	156	MXCTL2
189, 191, 193, 196	D29, D30, IRQSET0, SMIADS	199	HOLDR
176, 178, 184, 186	D17, D19, D24, D26	200	SPKR
188, 192, 195, 197	D28, D31, IRQSET1, HOLDA	206	EXBUSY
198, 201, 203, 205	RSTIN, DP0, DP1, DP3	207	BS16
204, 6, 8, 10	DP2, SD14, SD12, SD10	208	DACKEN

\* It is necessary to wait for 100 PDREF (pin 129) clock pulses after latching in IOMAP logic to test pin 118 (CAS01).

TABLE 16-1. PIN SCAN MAP (Continued)



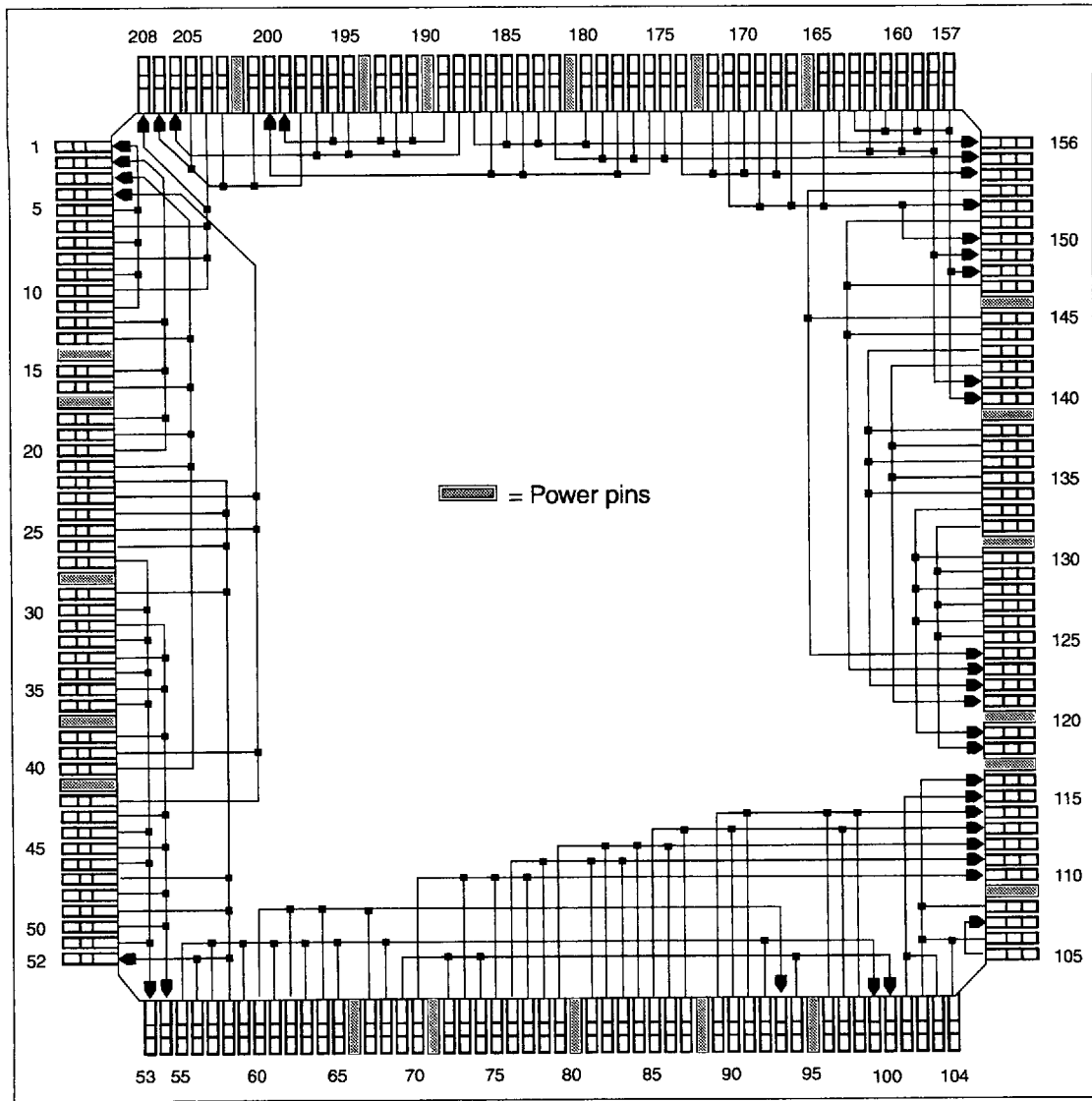


FIGURE 16-1. WD8110/LV PIN SCAN MAP



### 17.0 PACKAGE DIMENSIONS

Figure 17-1 illustrates the 208-Pin MQFP package showing the dimensions in inches.

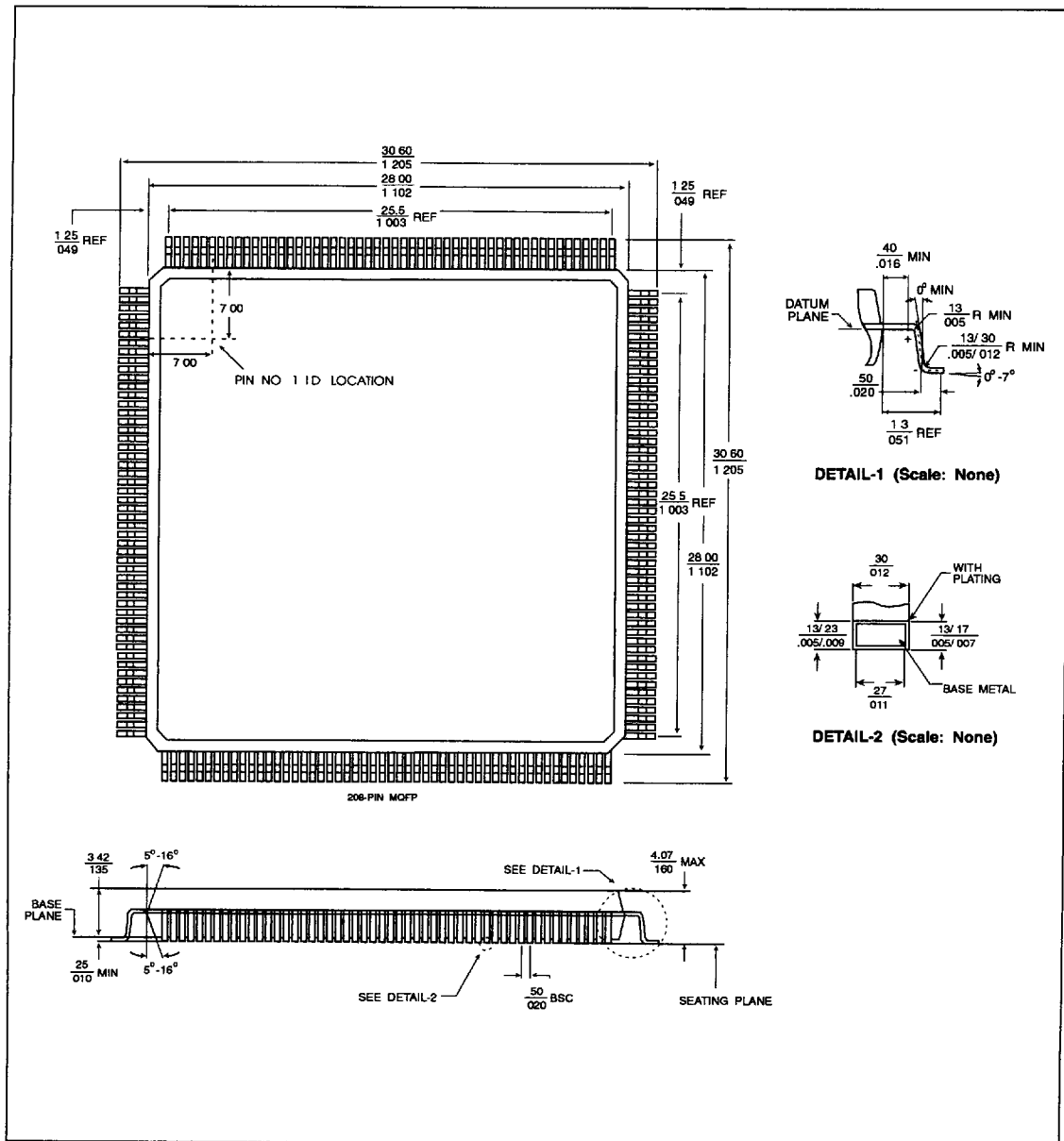


FIGURE 17-1. 208-PIN MQFP PACKAGE DIMENSIONS



### APPENDICES

#### A.0 SPECIAL FEATURE REGISTERS

This section describes the registers peculiar to the special features. Except for Port Addresses F073H and FC72H all Port Addresses described in this section are peculiar to these special features.

7	6	5	4	3	2	1	0
PRIVY DISABLE							

#### A.1 ENABLING THE SPECIAL FEATURES

To enable the special features, the WD8110/LV must first be unlocked by writing DAH to the Lock/Unlock Register at Port Address F073H and then writing DA00H to the Lock Status Register at Port Address FC72H. As stated in Section 2.7.1, Port Address FC72H is normally a read only register, but will respond to a write value of DA00H.

These registers are described in detail in Sections 2.7, 2.7.1 and 2.7.2.

#### A.2 ENABLE PRIVY REGISTER

Port Address 0FBH - Write only

The special features must first be enabled, as described in Section A.1, and then writing any data to this register enables PRIVY.

7	6	5	4	3	2	1	0
PRIVY ENABLED							

Signal Name	Default At RSTIN
All signals	None

#### A.3 DISABLE PRIVY REGISTER

Port Address 0F9H - Write only

Writing any data to this register disables PRIVY. When PRIVY is disabled, the 4 KB RAM is treated as the rest of memory in the F000H segment.

Signal Name	Default At RSTIN
All signals	None

#### A.4 BUSY BYPASS CONTROL REGISTER

Port Address 0ECH - Read and Write

##### NOTE

This feature only functions when the WD8110/LV is strapped for 386 mode and does not function when the WD8110/LV is strapped for 486 mode.

Before the Bypass Mode can be enabled or disabled, PRIVY must first be set by writing any data to Port Address 0FBH.

Bypass Mode is enabled by writing any data to Port Address 0ECH.

When the Bypass Mode is enabled, ERROR from the Numeric Processing Unit (NPU) does not cause an IRQ13 and the BUSY signal is not sent to the CPUBUSY output without modification.

Bypass Mode is disabled by reading Port Address 0ECH.

7	6	5	4	3	2	1	0
BUSY BYPASS							

Signal Name	Default At RSTIN
All signals	None



**A.5 FAST A20 GATE CONTROL REGISTER**

Port Address 0EEH - Read and Write

Before the special feature FAST A20 GATE can be enabled or disabled, PRIVY must first be set by writing any data to Port Address 0FBH.

FAST A20 GATE is enabled by writing any data to Port Address 0EEH.

The special feature FAST A20 GATE is ORed with the A20GT signal from the Keyboard Controller and with Port 92H A20 gate signal.

FAST A20 GATE is disabled by reading Port Address 0EEH.

7	6	5	4	3	2	1	0
Special Feature FAST A20 GATE							

<b>Signal Name</b>	<b>Default At RSTIN</b>
All signals . . . . .	None

**A.6 FAST CPU RESET CONTROL REGISTER**

Port Address 0EFH - Read only

Before the FAST CPU RESET can be initiated, PRIVY must be set by writing any data to Port Address 0FBH.

A processor reset is initiated by reading Port Address 0EFH. The processor reset pulse is 16 CPUCLKs. This processor reset signal is ORed with the Hot Reset at Port 092H and with the Keyboard Controller processor reset.

7	6	5	4	3	2	1	0
FAST CPU RESET CONTROL							

<b>Signal Name</b>	<b>Default At RSTIN</b>
All signals . . . . .	None

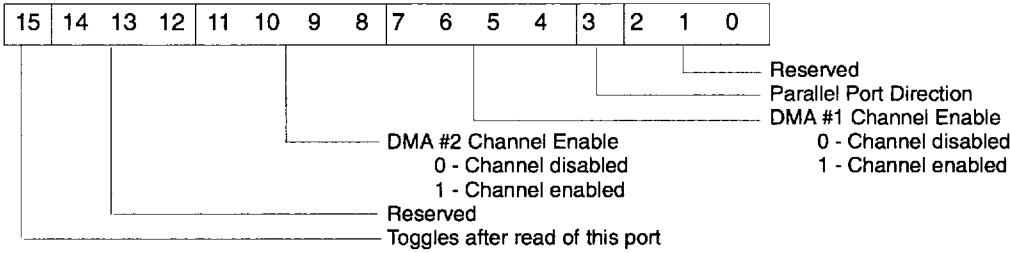


### B.0 REGISTER DESCRIPTION QUICK REFERENCE

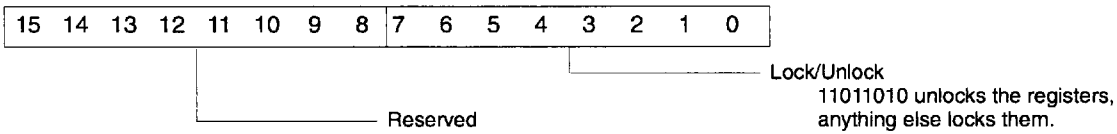
This section provides a brief description of the format and content of the registers within the WD8110/LV. It is assumed that the user is knowledgeable about the register functions and how to apply them. Table B-1 on page 228 lists the registers default setting at reset. An index to the registers in this section is provided on page 231.

#### B.1 LOCK/UNLOCK

Port Address FC72H - Lock Status Register - Read Only

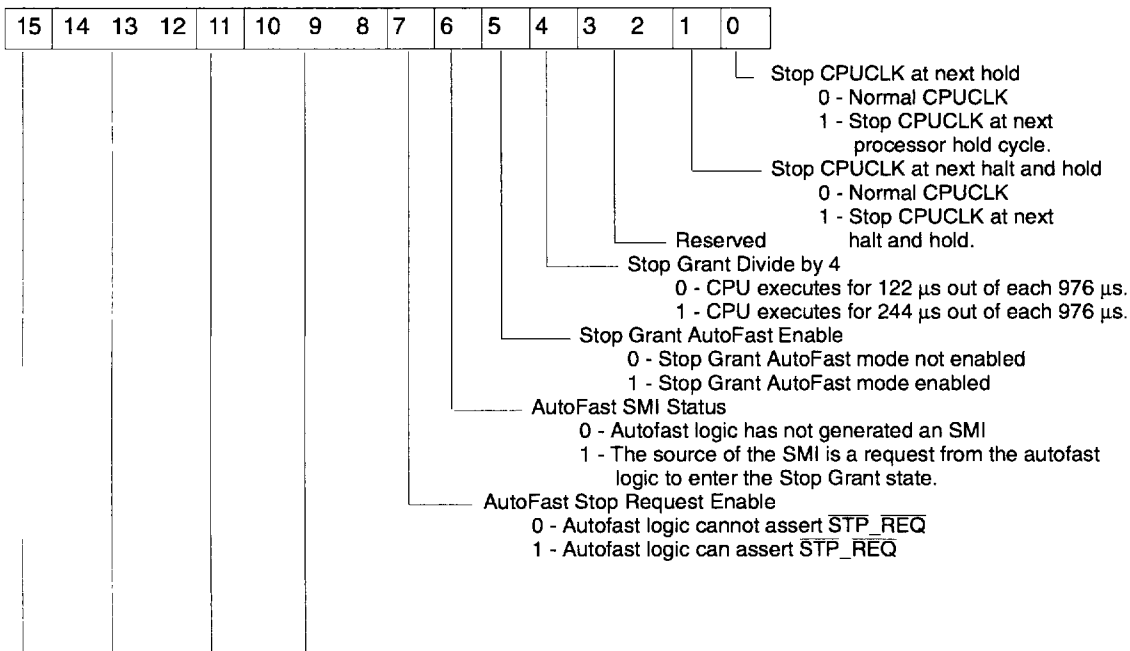


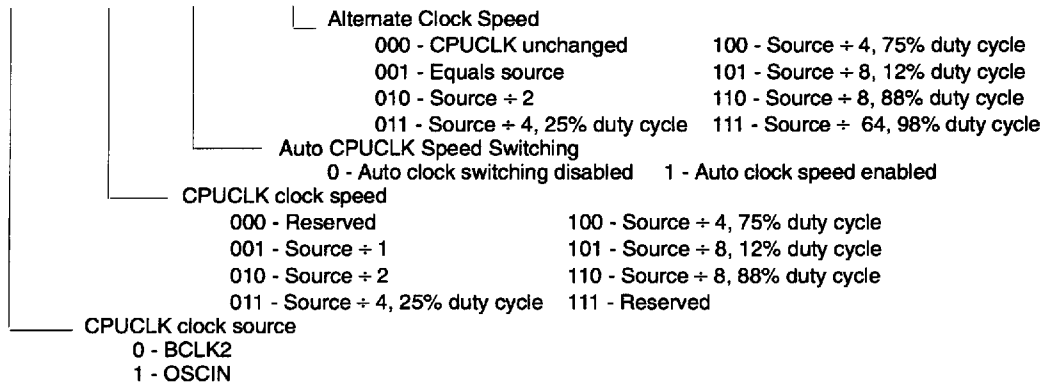
Port Address F073H - Lock/Unlock Register - Write Only



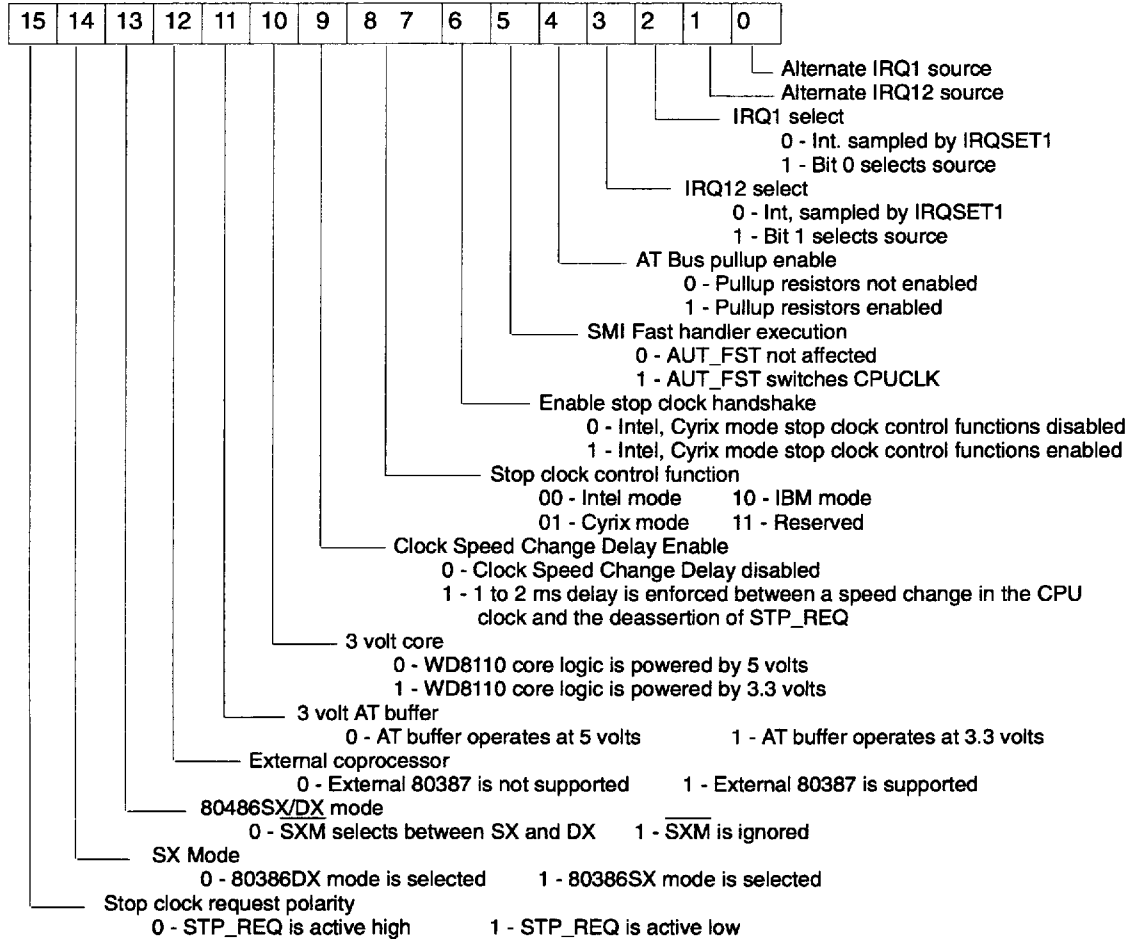
#### B.2 CLOCK CONTROL

Port Address 1072H - CPU Clock Control Register - Bits 15:8, 6:0 Read and Write, Bit 6 R/W/C



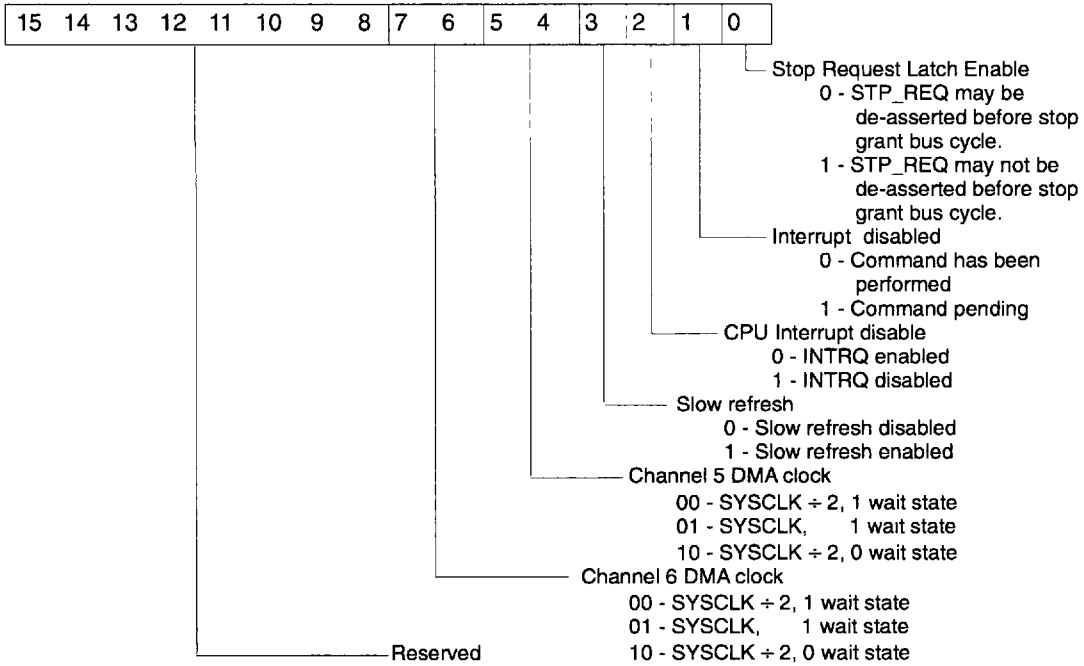


Port Address 8C72H - Clock Stop/Speed Control Register - Bits 15:10 Read Only, Bits 9:0 Read/Write

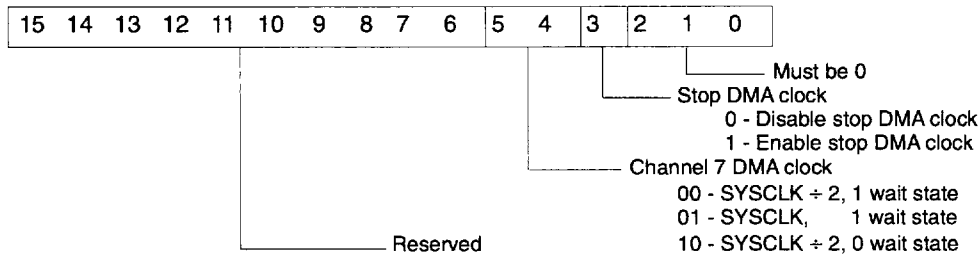




Port Address BC72H - Enhanced DMA Clock Register - Read and Write

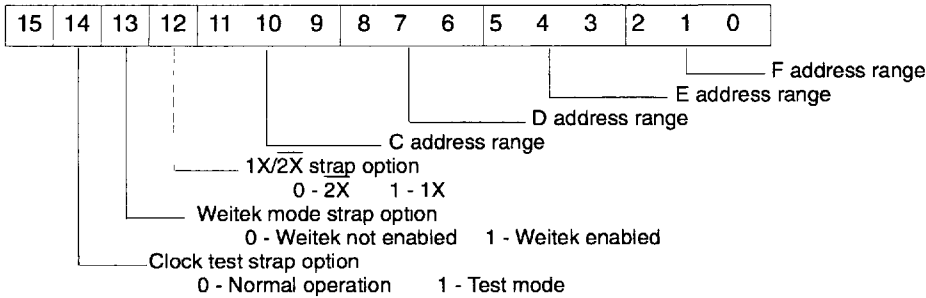


Port Address B472H - Enhanced DMA Clock Register - Read and Write



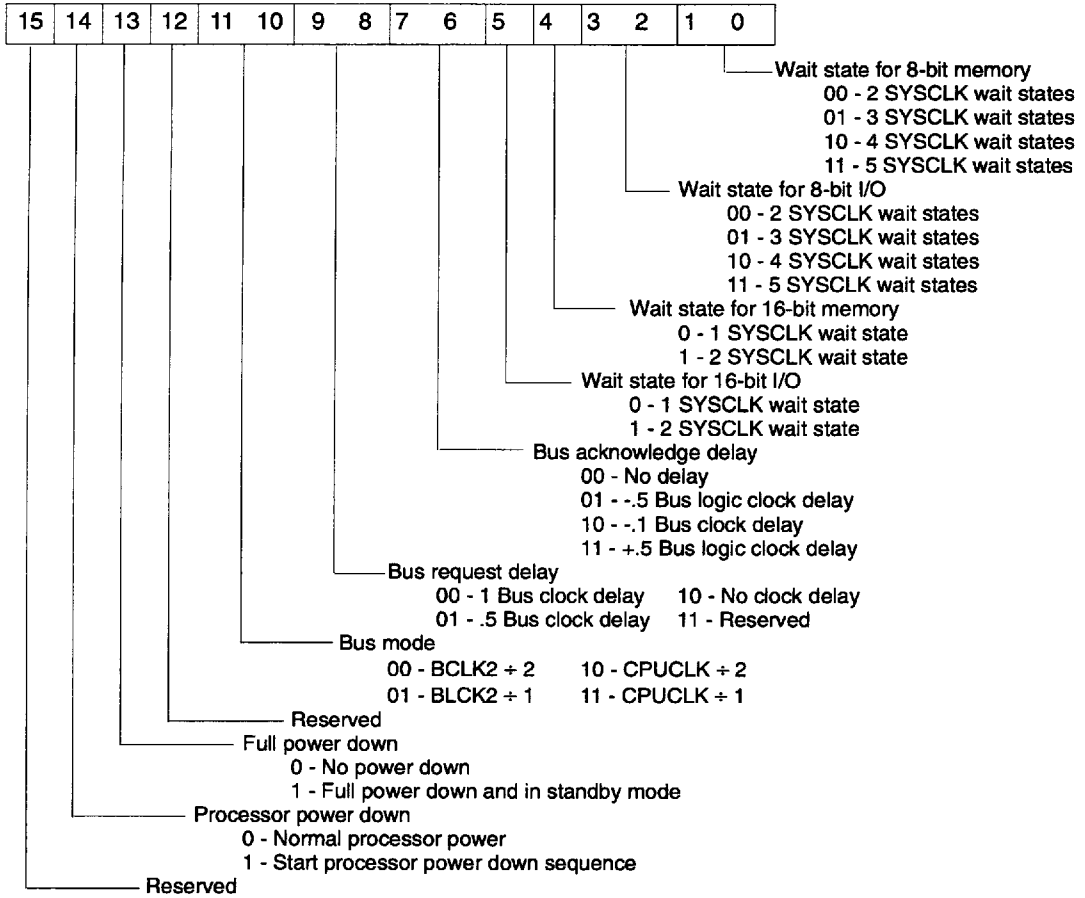
**B.3 ROM BANK SELECTION**

Port Address C072H - ROM Bank Selection Register - Bits 15:12 Read Only, 11:0 Read and Write



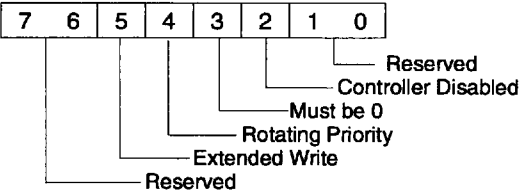
**B.4 NUMERIC PROCESSOR**

Port Address 1872H - Numeric Processor Busy, Bus Timing, Power Down Register - Read and Write

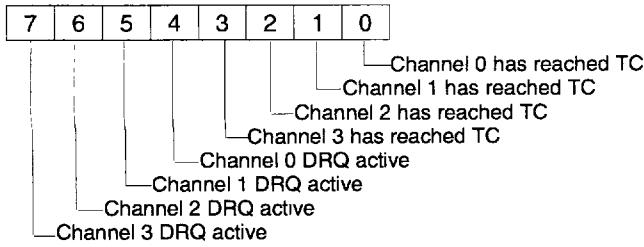


**B.5 DMA CONTROL**

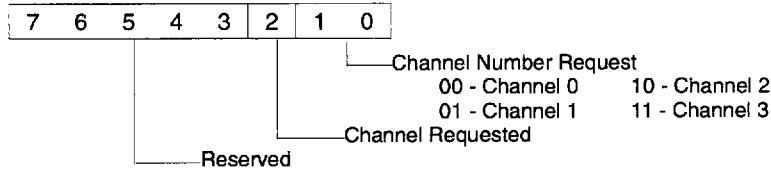
Port Address 008H, 0D0H - Command Register - Write Only



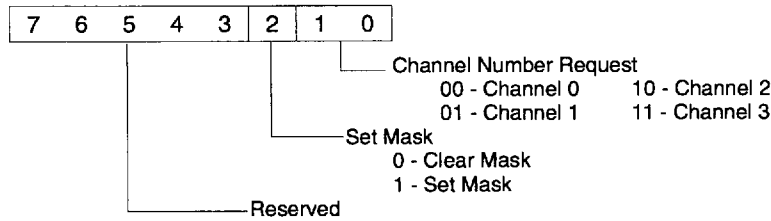
Port Address 008H, 0D0H - Status Register - Read Only



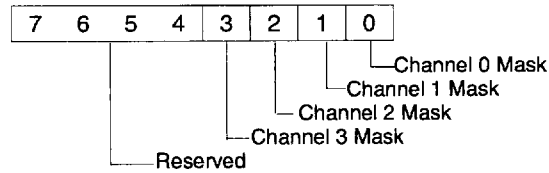
Port Address 009H, 0D2H - Request Register - Write Only



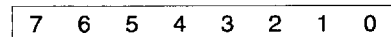
Port Address 00AH, 0D4H - Single Mask Register - Write Only



Port Address 00FH, 0DEH - Mask Multiple Register - Write Only

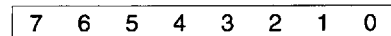


Port Address 00EH, 0DCH - Clear Mask Register - Write Only



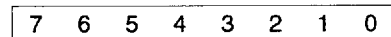
Any data clears all Masks. Data is ignored.

Port Address 00CH, 0D8H - Clear Pointer Register - Write Only



Any data clears the pointer. Data is ignored.

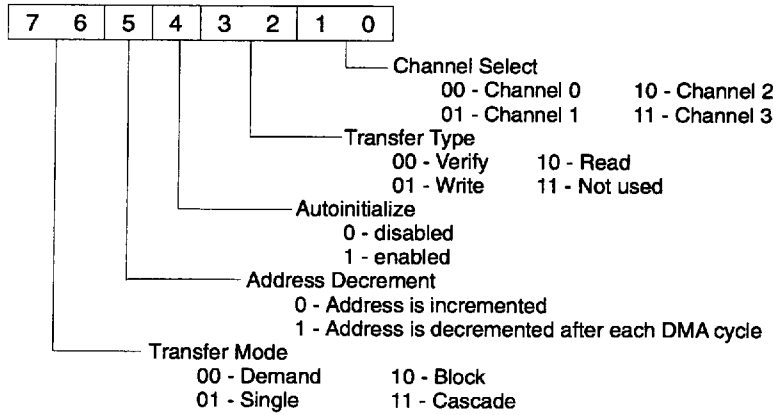
Port Address 00DH, 0DAH - Master Clear Register - Write Only



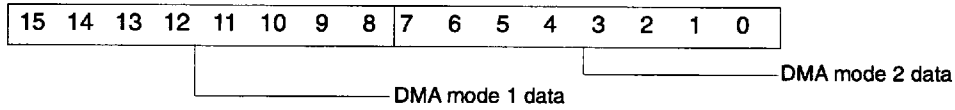
Any data performs a master clear. Data is ignored.



Port Address 00BH, 0D6H - Mode Register - Write Only

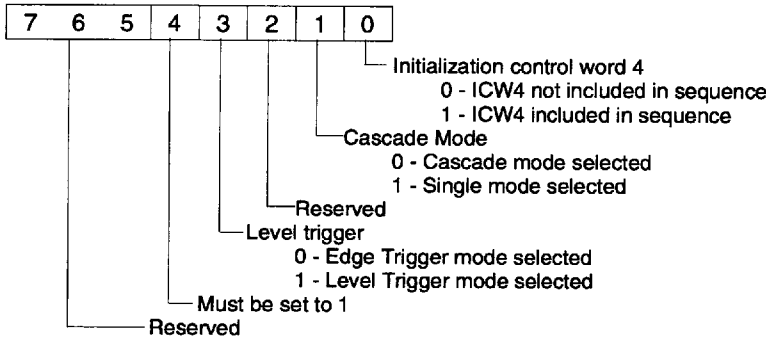


Port Address B872H - DMA Shadow Register - Read Only

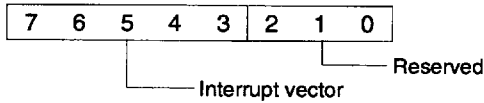


**B.6 INTERRUPT CONTROLLERS**

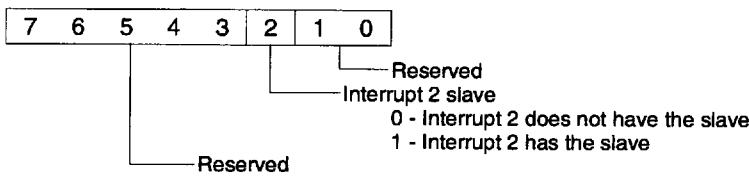
Port Address 020H, 0A0H - ICW1 - Initialization Command Word 1 Register - Write only



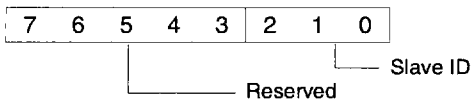
Port Address 021H, 0A1H - ICW2 - Initialization Command Word 2 Register - Write Only



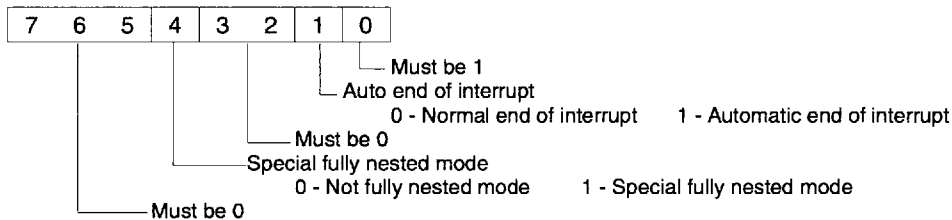
Port Address 021H - ICW3 - Initialization Command Word 3 Register - Write Only  
Interrupt controller 1



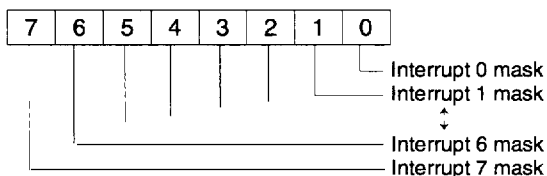
Port Address 0A1H - ICW3 - Initialization Command Word 3 Register - Write Only  
 Interrupt controller 2



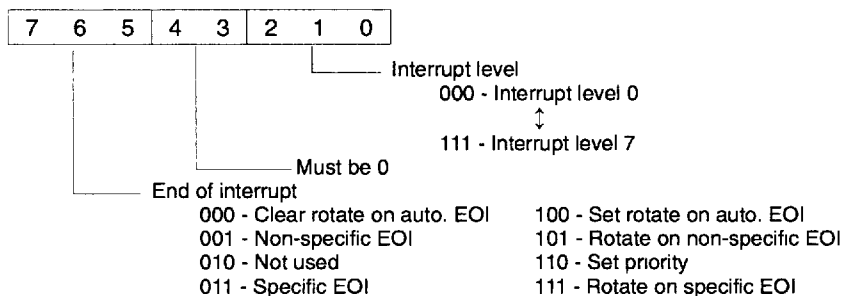
Port Address 021H, 0A1H - ICW4 - Initialization Command Word 4 Register - Write Only



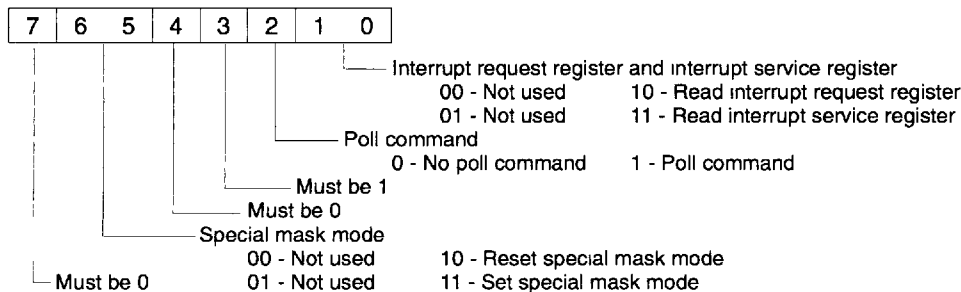
Port Address 021H, 0A1H - OCW1 - Operation Control Word 1 Register - Write Only



Port Address 020H, 0A0H - OCW2 - Operation Control Word 2 Register - Write Only

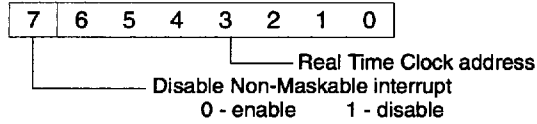


Port Address 020H, 0A0H - OCW3 - Operation Control Word 3 Register - Write Only

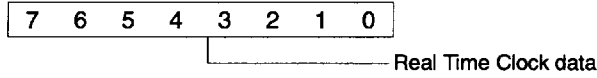


**B.7 NMI AND REAL TIME CLOCK**

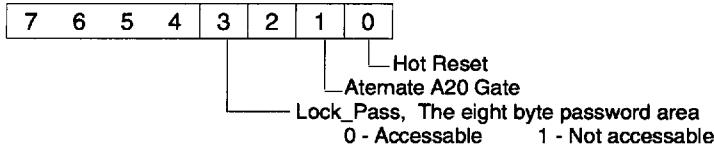
Port Address 070H in 10-bit mode, 0070H in 16-bit mode - Address Register - Write Only



Port Address 071H in 10-bit mode, 0071H in 16-bit mode - Data Register - Read and Write

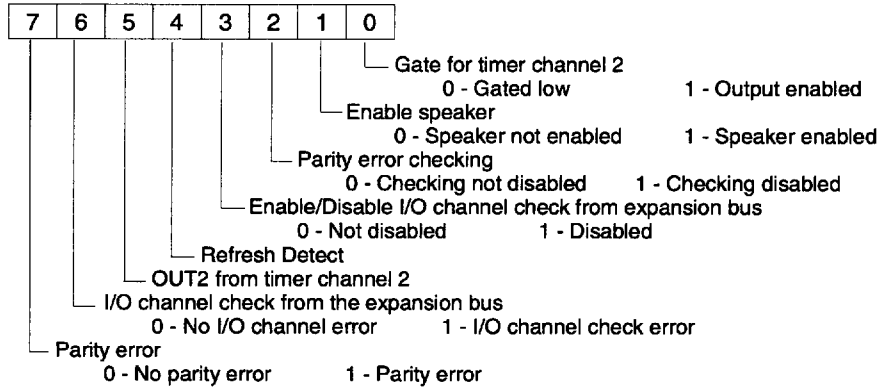


Port Address 092H in 10-bit mode, 0092H in 16-bit mode - Lock Pass, Alt. A20G, Hot Reset - Read/Write



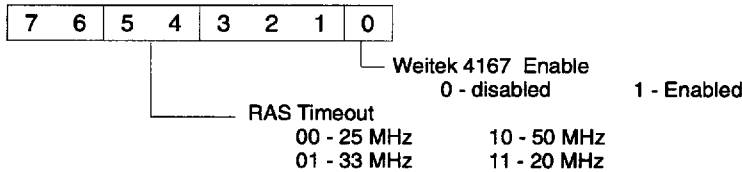
**B.8 PORT B - PARITY ERROR AND I/O CHANNEL CHECK**

Any odd numbered Port Address 061:06FH in 10-bit mode, 0061H in 16-bit mode  
 - Bits 7:4 Read Only, Bits 3:0 Read and Write

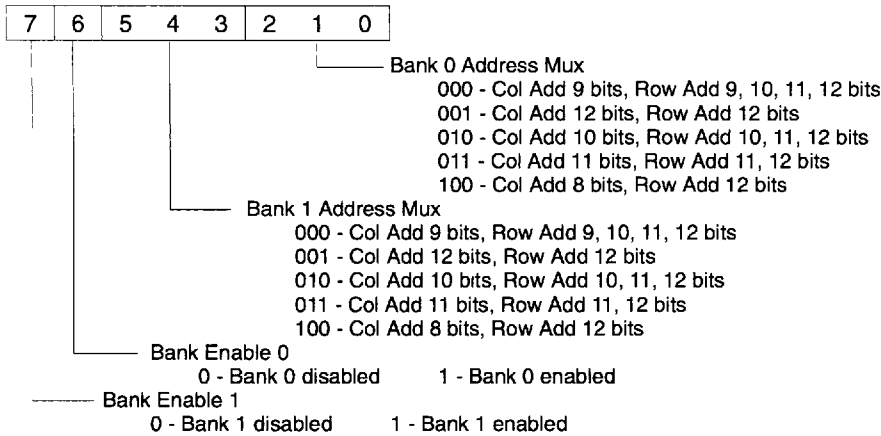


**B.9 ESF REGISTERS**

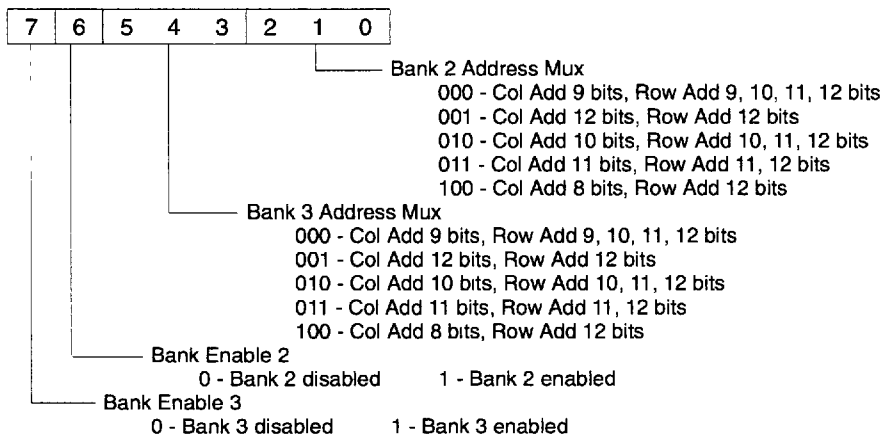
ESF Port Address 19FH - System Configuration Register  
 - Bits 7:4, 0 Read and Write - Bits 3:1 Read Only



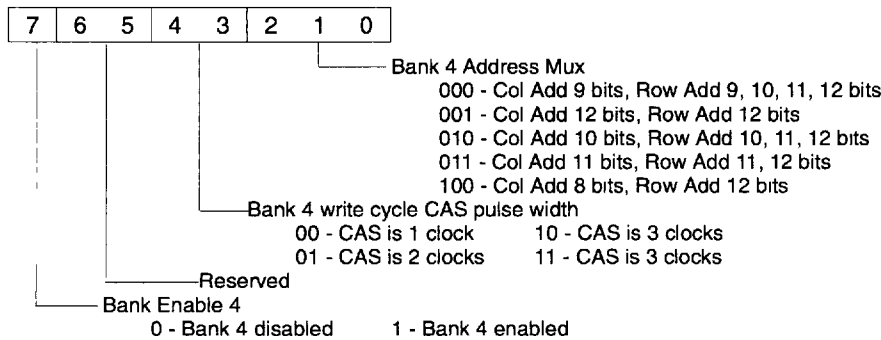
ESF Port Address 190H - Banks 0:1 Enabling and Address Multiplexing - Read and Write



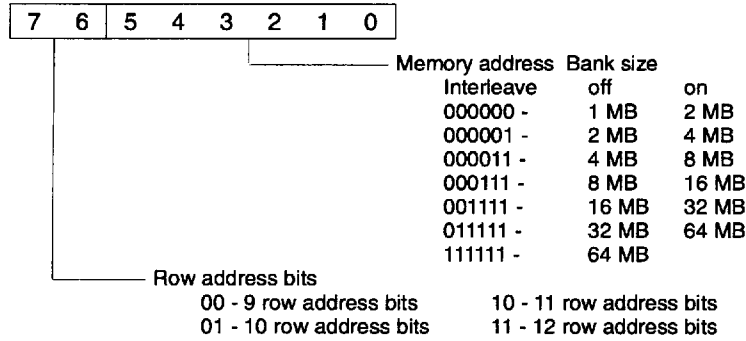
ESF Port Address 191H - Banks 2:3 Enabling and Address Multiplexing - Read and Write



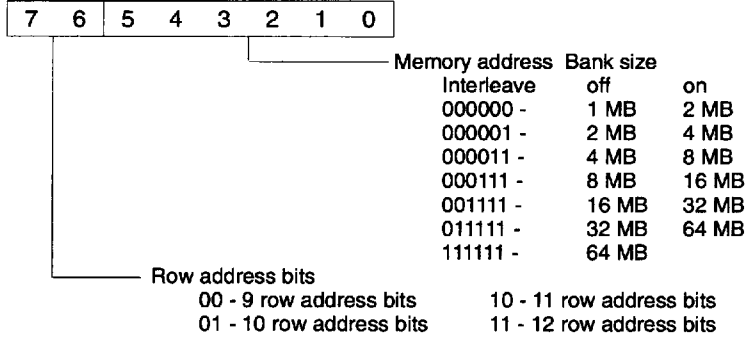
ESF Port Address 1A0H - Bank 4 Enabling and Address Multiplexing Register - Read and Write



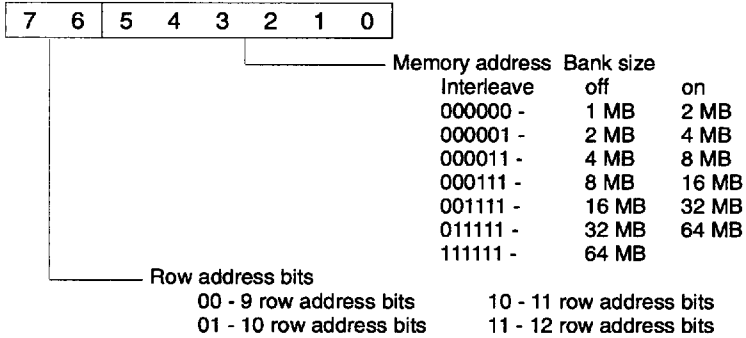
ESF Port Address 192H - Bank 0 Size Control Register - Read and Write



ESF Port Address 19AH - Bank 1 Size Control Register - Read and Write

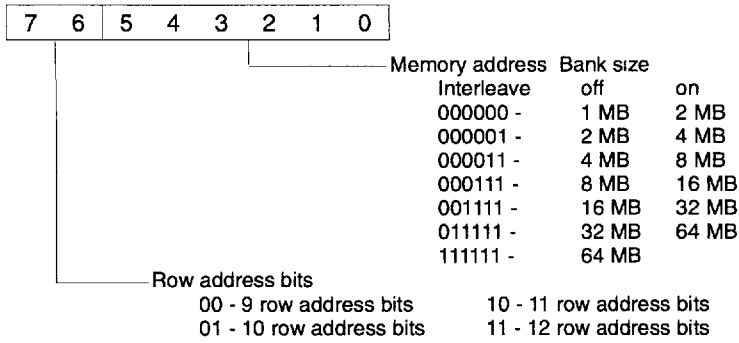


ESF Port Address 19BH - Bank 2 Size Control Register - Read and Write

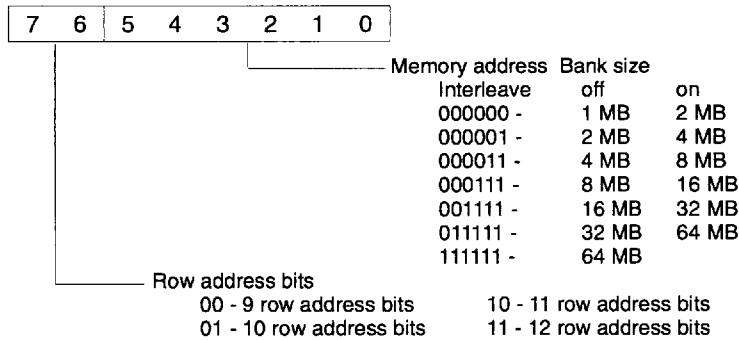




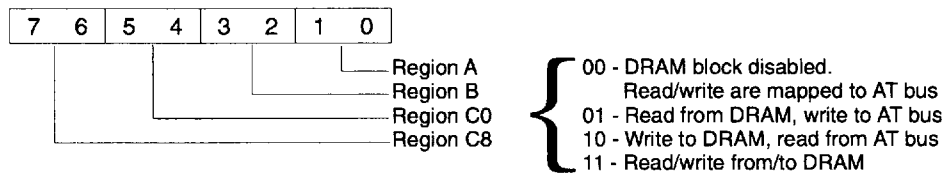
ESF Port Address 19CH - Bank 3 Size Control Register - Read and Write



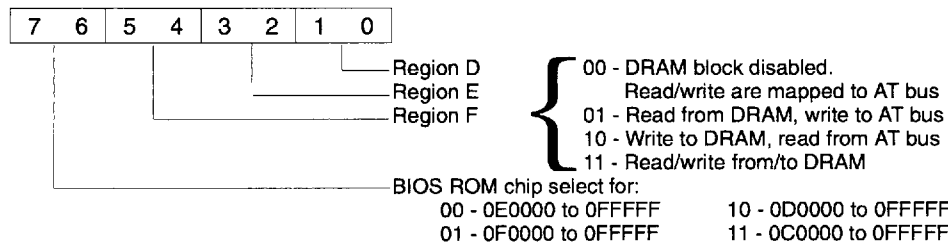
ESF Port Address 19DH - Bank 4 Size Control Register - Read and Write



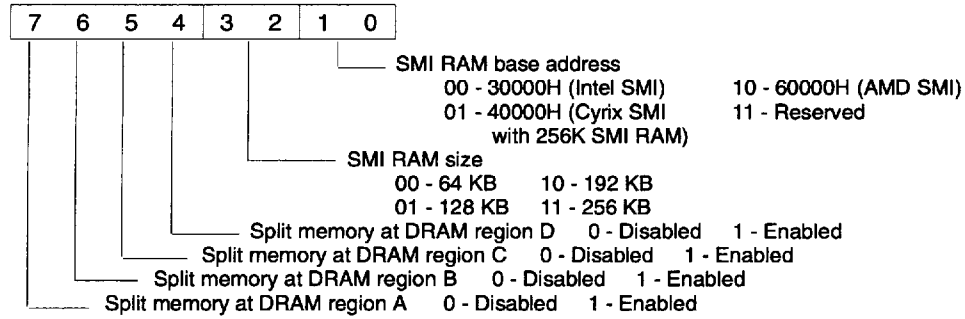
ESF Port Address 1AAH - Memory Shadow Control Register 1 - Read and Write



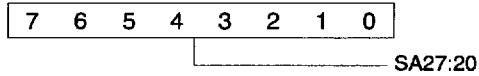
ESF Port Address 1A9H - Memory Shadow Control Register 2 - Read and Write



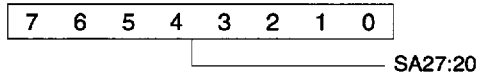
ESF Port Address 1ABH - Split Memory Control And SMI RAM Start Address Register - Read and Write



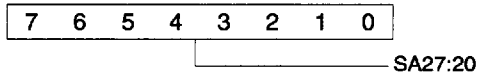
ESF Port Address 193H - Split Start Address Register - Read and Write



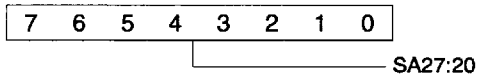
ESF Port Address 194H - Bank 0 Start Address Register - Read and Write



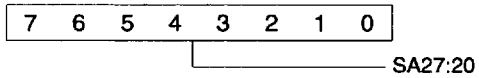
ESF Port Address 195H - Bank 1 Start Address Register - Read and Write



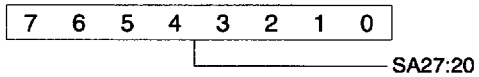
ESF Port Address 196H - Bank 2 Start Address Register - Read and Write



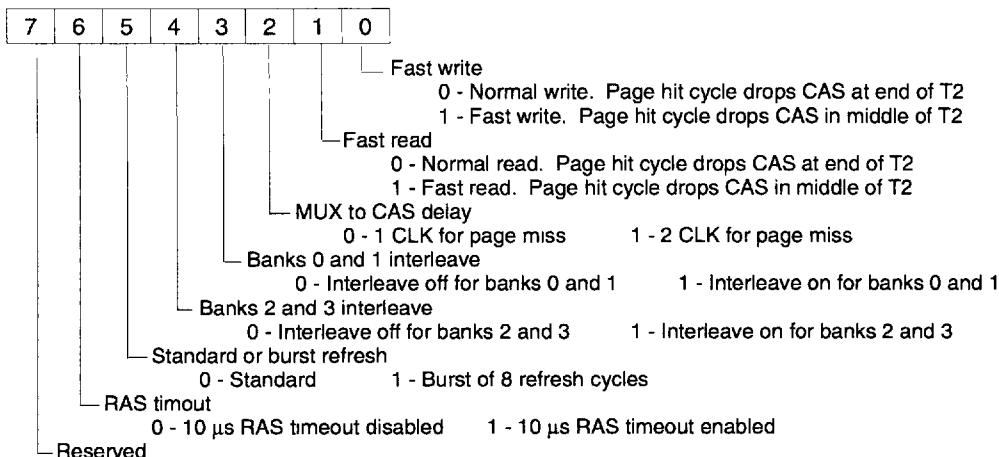
ESF Port Address 197H - Bank 3 Start Address Register - Read and Write



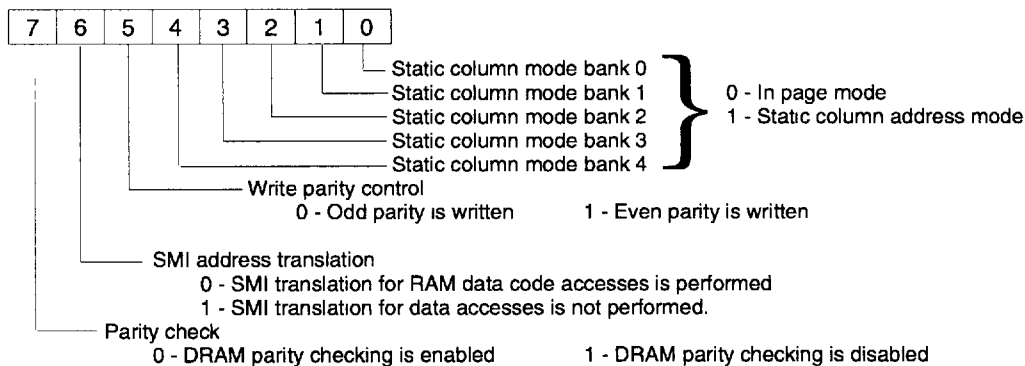
ESF Port Address 19EH - Bank 4 Start Address Register - Read and Write



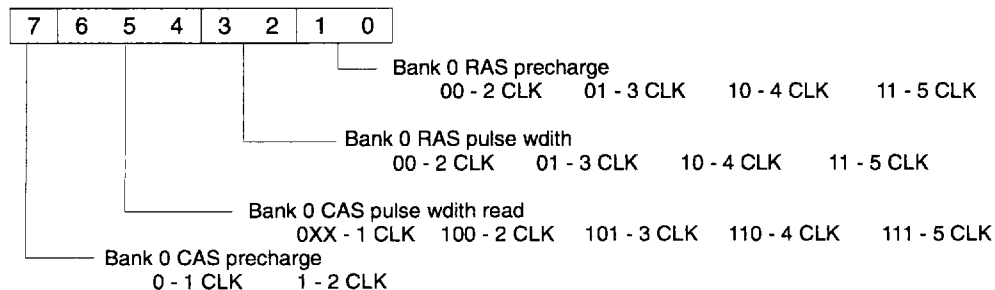
ESF Port Address 198H - DRAM Mode Register - Read and Write



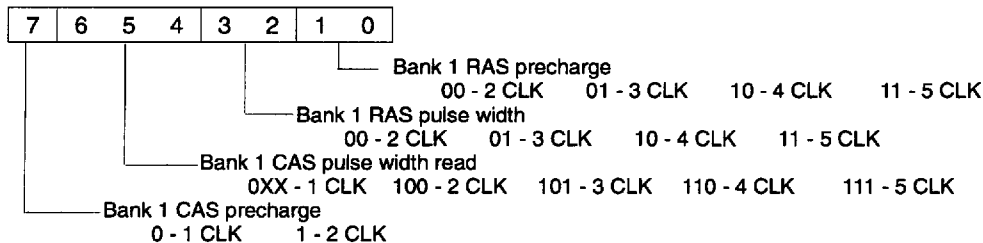
ESF Port Address 1A8H - Static Column Or Page Mode Register - Read and Write



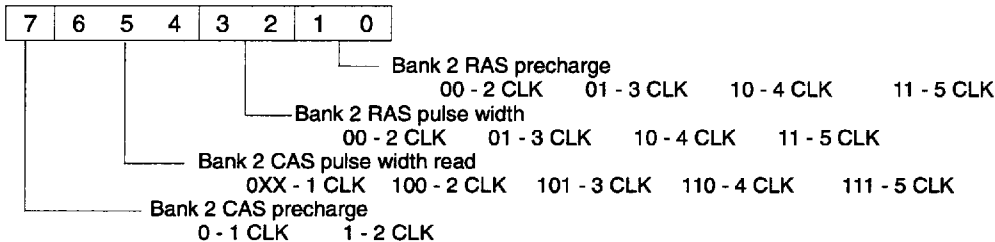
ESF Port Address 199H - Bank 0 RAS/CAS Pulse Width and Precharge Register - Read and Write



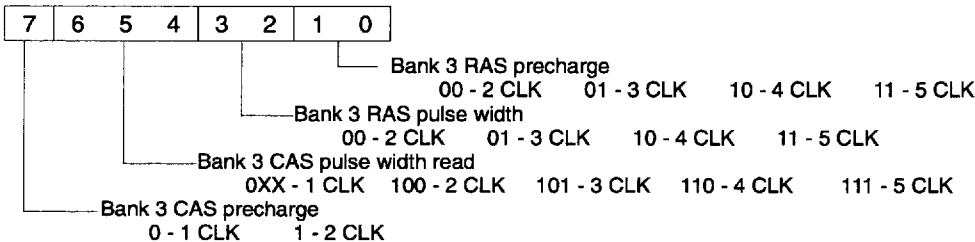
ESF Port Address 1A1H - Bank 1 RAS/CAS Pulse Width and Precharge Register - Read and Write



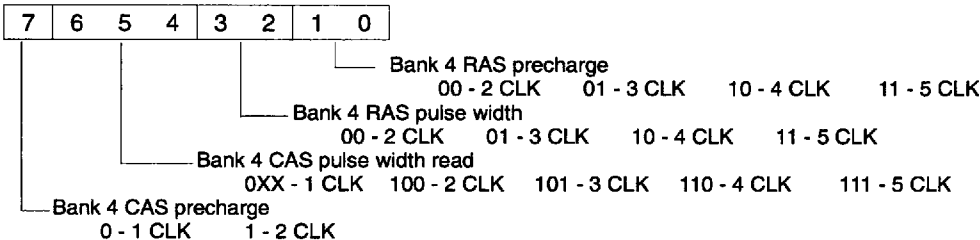
ESF Port Address 1A2H - Bank 2 RAS/CAS Pulse Width and Precharge Register - Read and Write



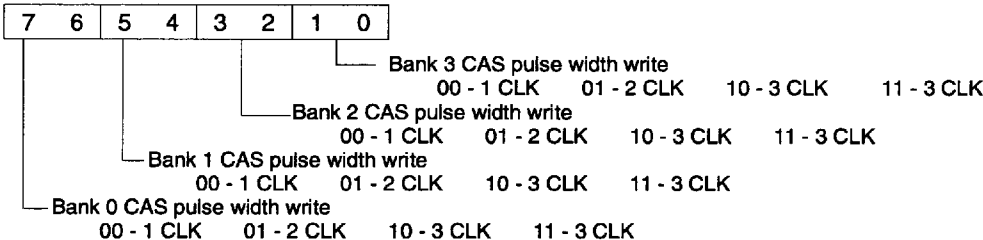
ESF Port Address 1A3H - Bank 3 RAS/CAS Pulse Width and Precharge Register - Read and Write



ESF Port Address 1A5H - Bank 4 RAS/CAS Pulse Width and Precharge Register - Read and Write

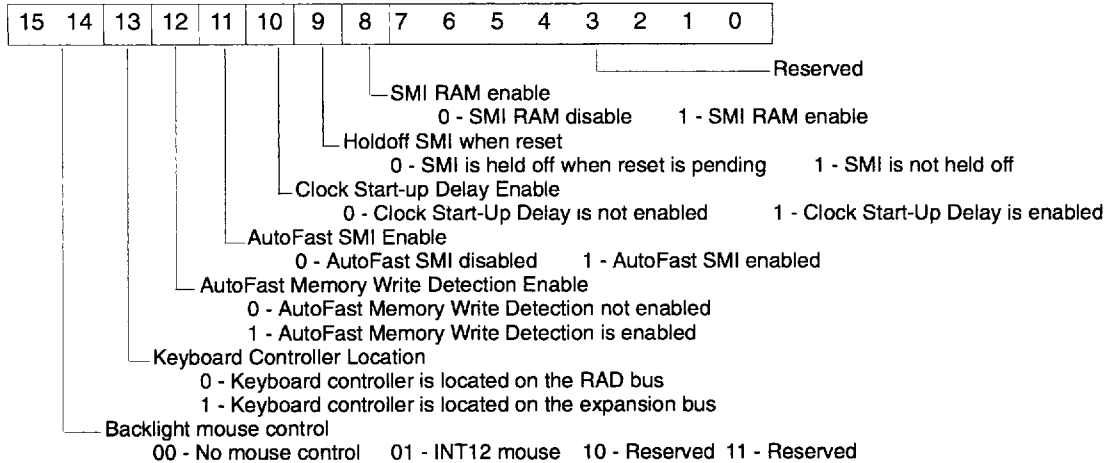


ESF Port Address 1A4H - Banks 3:0 CAS Pulse Width For Write Cycle Register - Read and Write



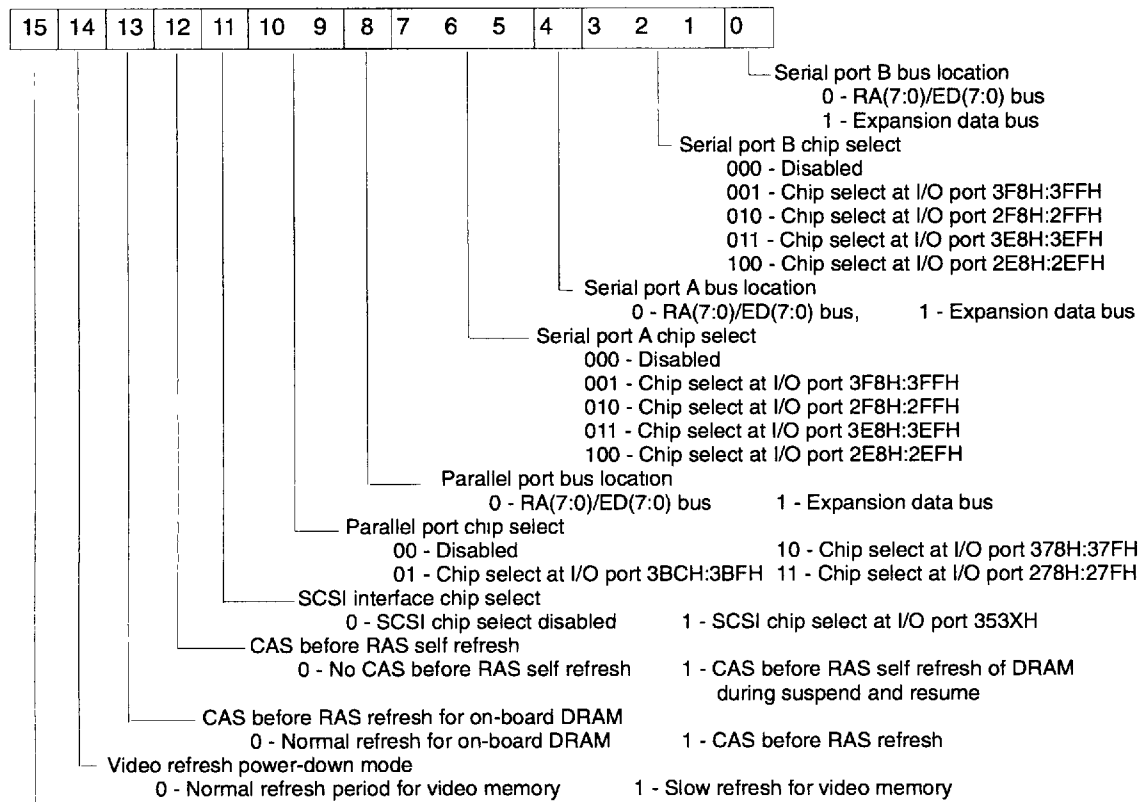
**B.10 BACKLIGHT MOUSE AND SMI CONTROL**

Port Address 7472H - Backlight Mouse and SMI Control Register - Read and Write



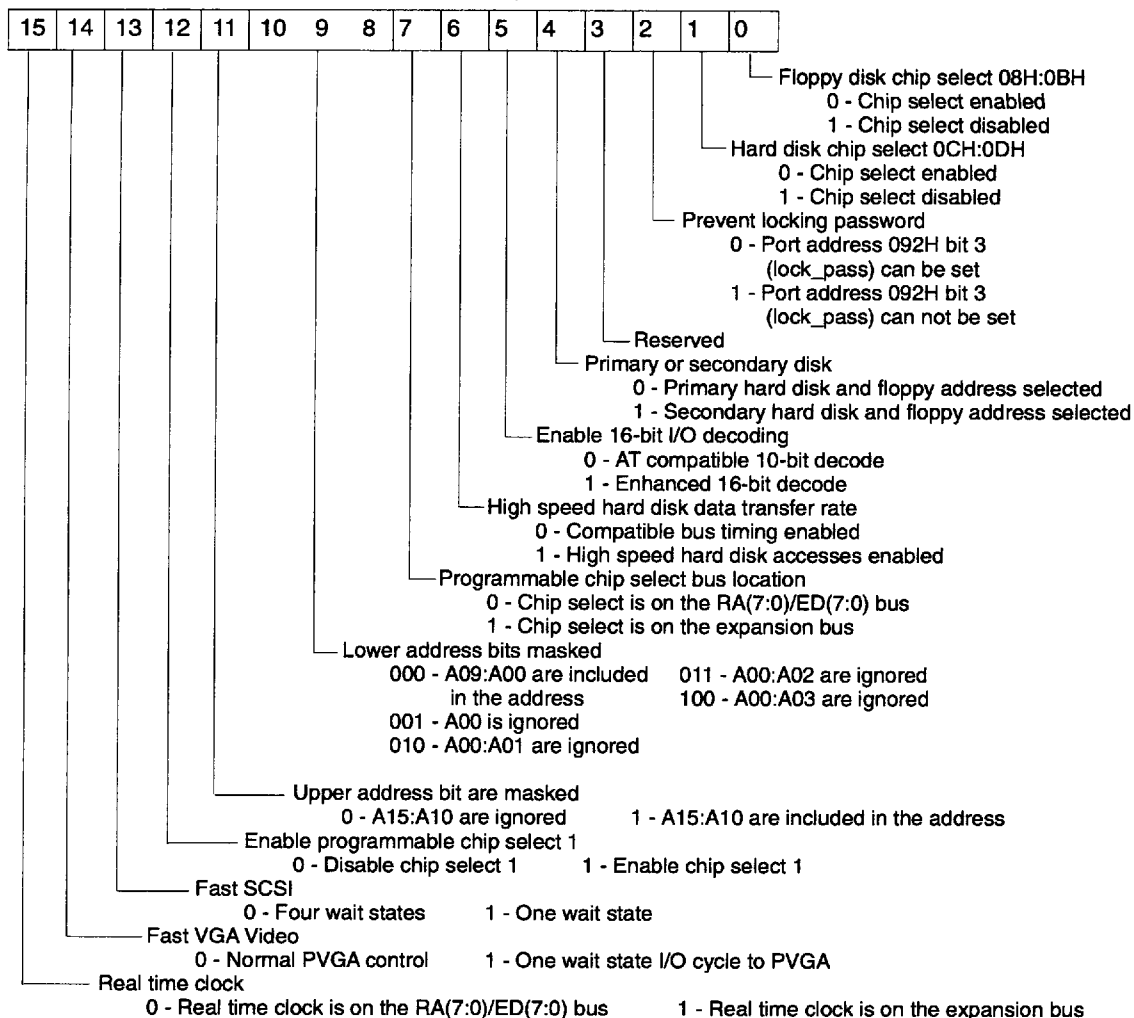
**B.11 PORT CHIP SELECT AND REFRESH**

Port Address 2072H - Serial and Parallel Chip Selects, Refresh Control - Read and Write

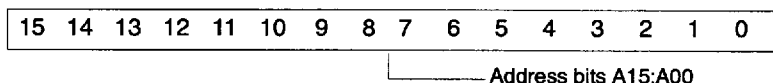


└ Memory refresh power-down mode  
 0 - Normal refresh for main on-board memory    1 - Slow refresh main on-board memory

Port Address 2872H - RTC, PVGA and Disk Chip Selects - Read and Write

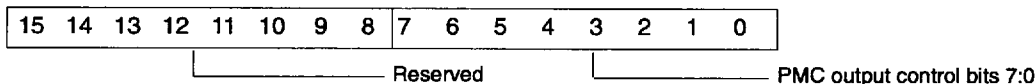


Port Address 3072H - Programmable Chip Select 1 Address - Read and Write

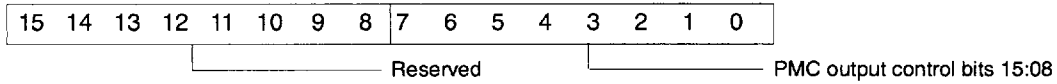


**B.12 POWER MANAGEMENT CONTROL (PMC)**

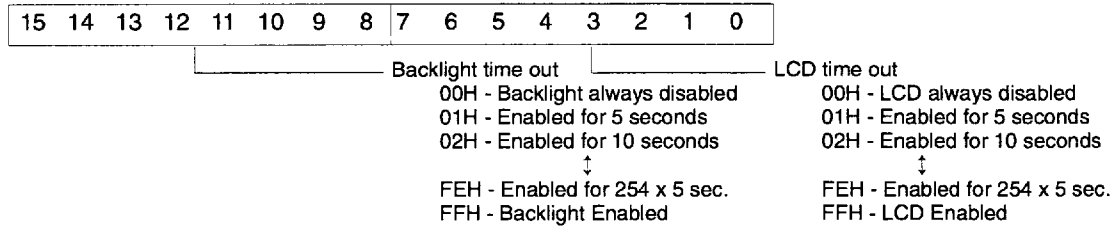
Port Address 7072H - PMC Output Control Register - Bits 7:0 Read Only



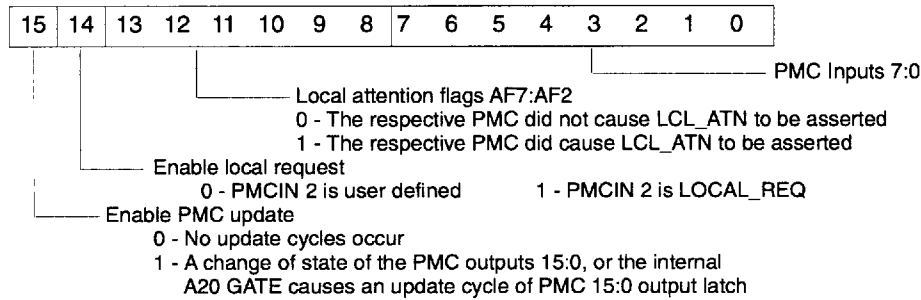
Port Address 7872H - PMC Output Control Register - Bits 7:0 Read and Write



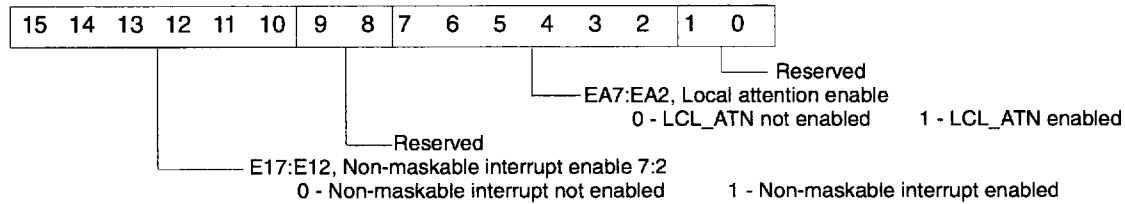
Port Address 8072H - PMC Timers - Read and Write



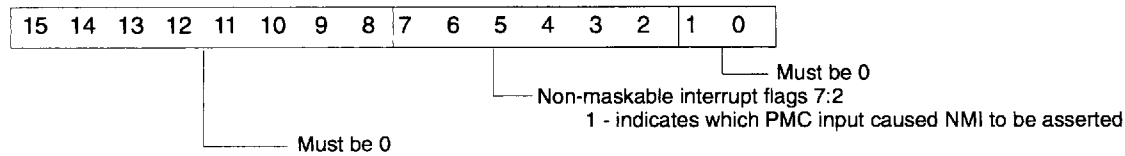
Port Address 8872H - PMC Inputs - Bits 15:8 Read and Write, Bits 7:0 Read Only



Port Address C872H - PMC Interrupt Enable - Read and Write

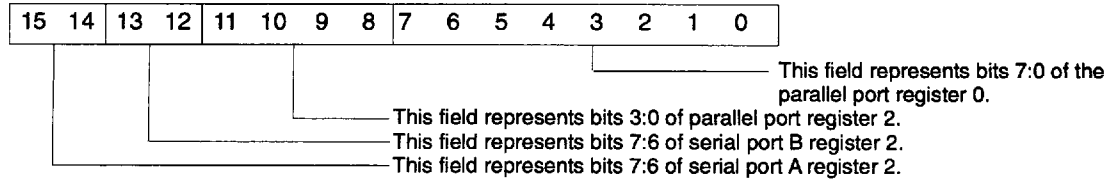


Port Address 9072H - NMI Status Register - Read and Write

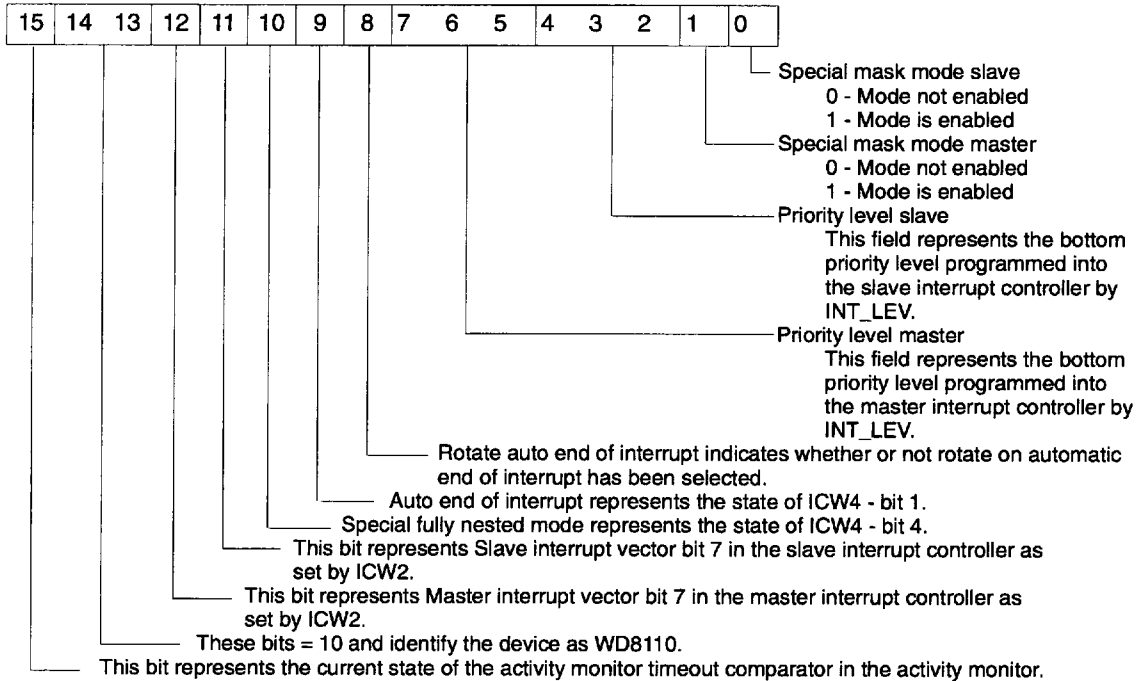


**B.13 SHADOW REGISTERS**

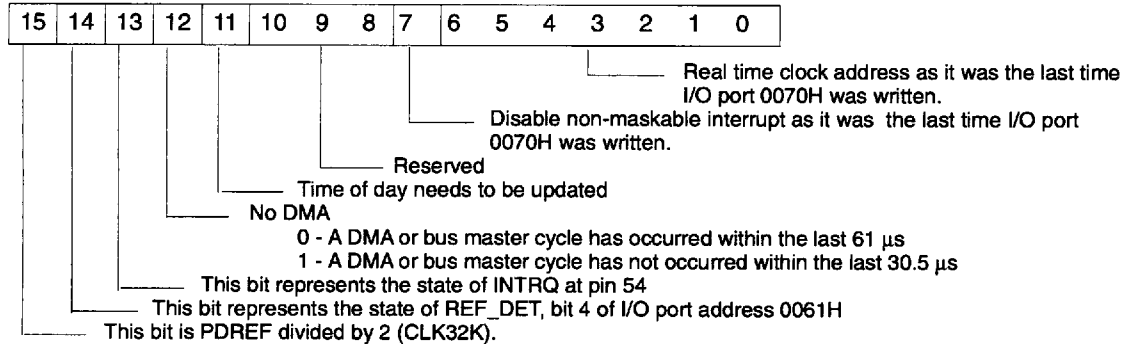
Port Address D072H - Serial/Parallel Shadow Register - Read Only



Port Address D472H - Interrupt Controller Shadow Register - Read Only

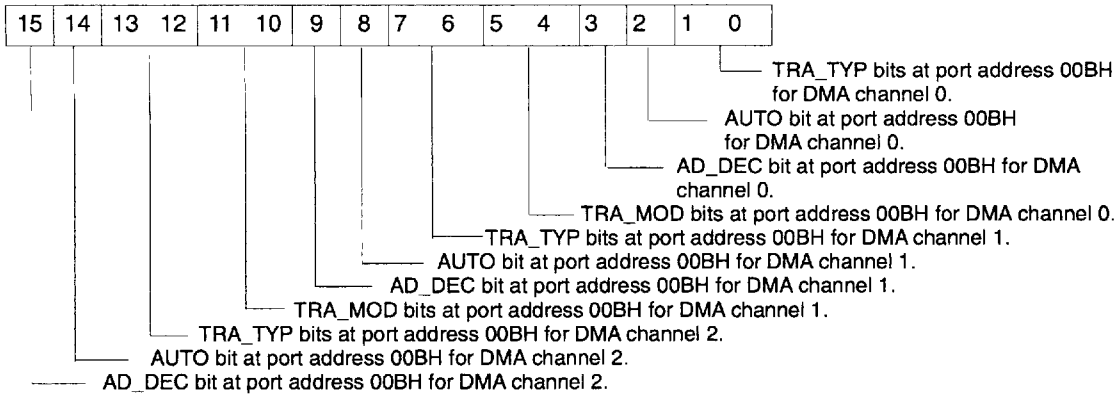


Port Address E472H - Port 70H Shadow Register - Bits 15:12, 10:00 Read Only, Bit 11 Read and Write

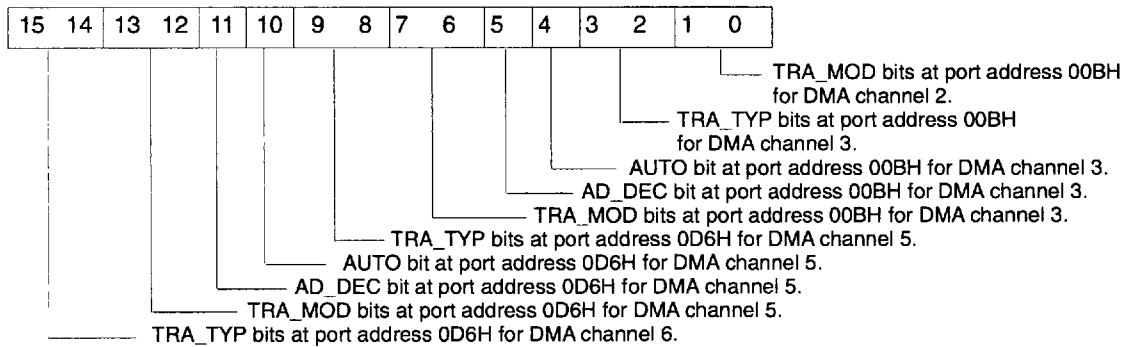




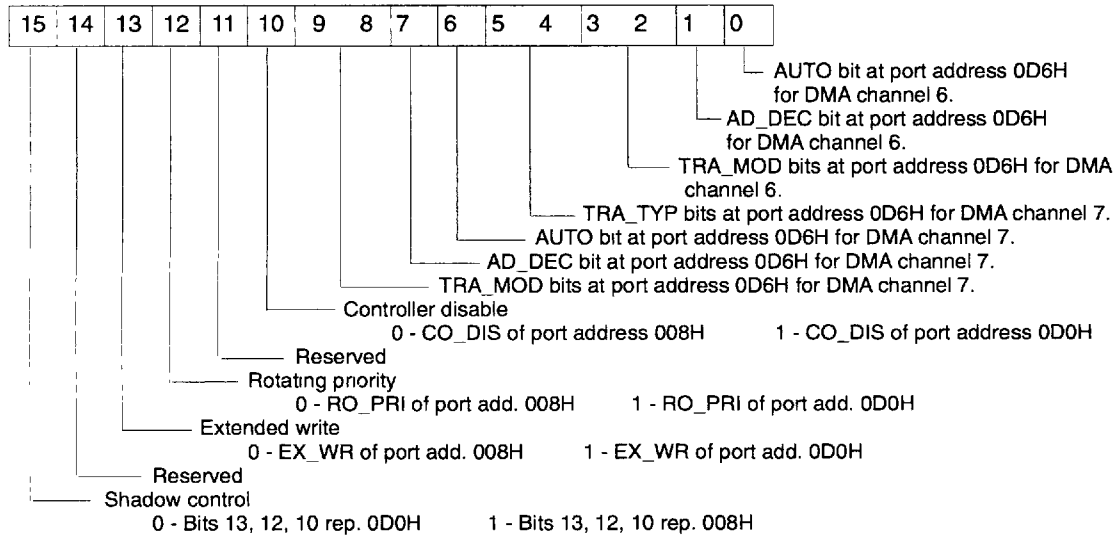
Port Address 3C72H - DMA Shadow Register 1 - Read Only



Port Address 4472H - DMA Shadow Register 2 - Read Only



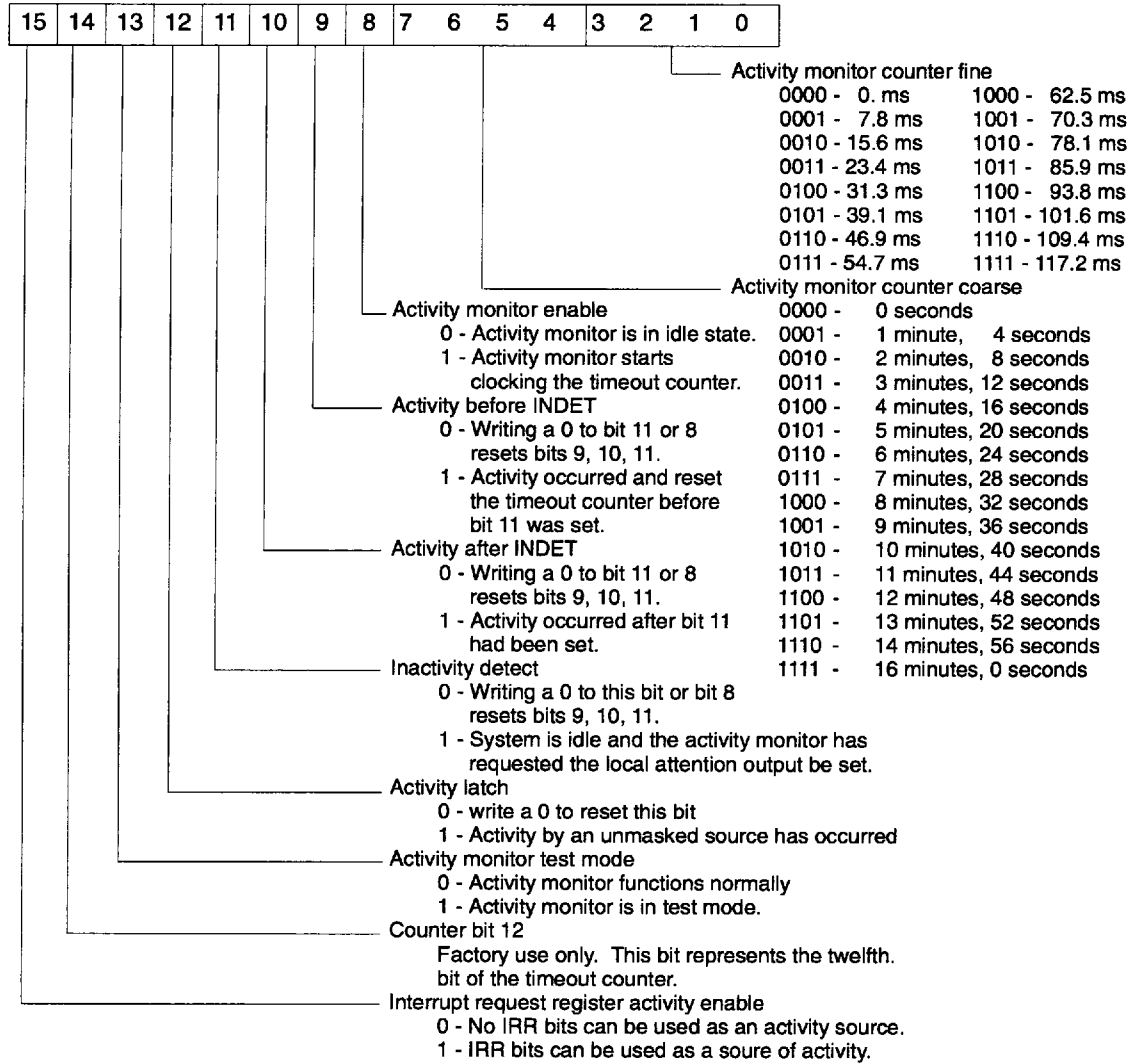
Port Address 4C72H - DMA Shadow Register 3 - Bit 15 Read and Write, Bits 14:00 Read Only



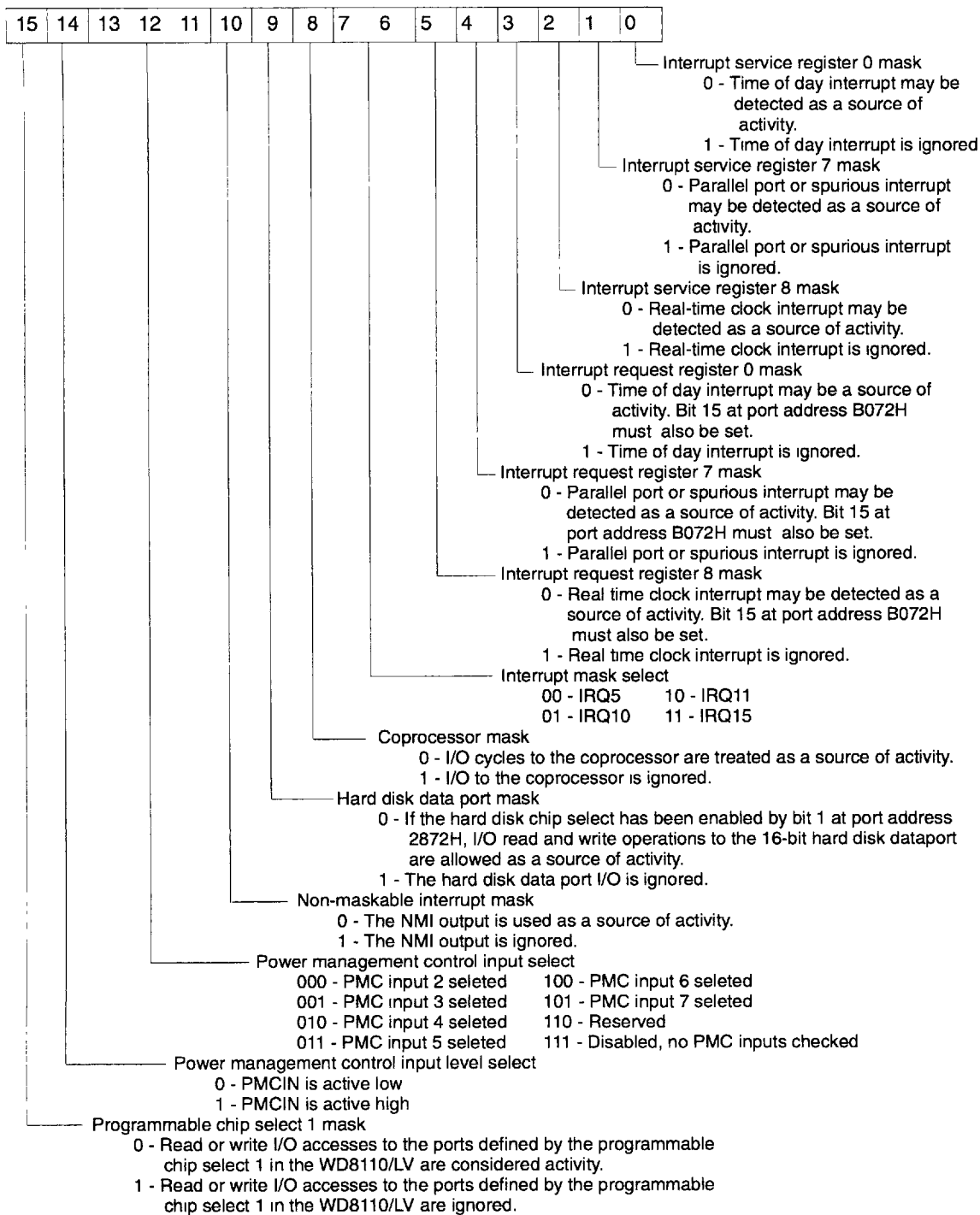
**B.14 ACTIVITY MONITOR**

Port Address B072H - Activity Monitor Control Register

- Bits 15, 13:11, 08:00 Read and Write, Bits 14, 10, 09 Read Only



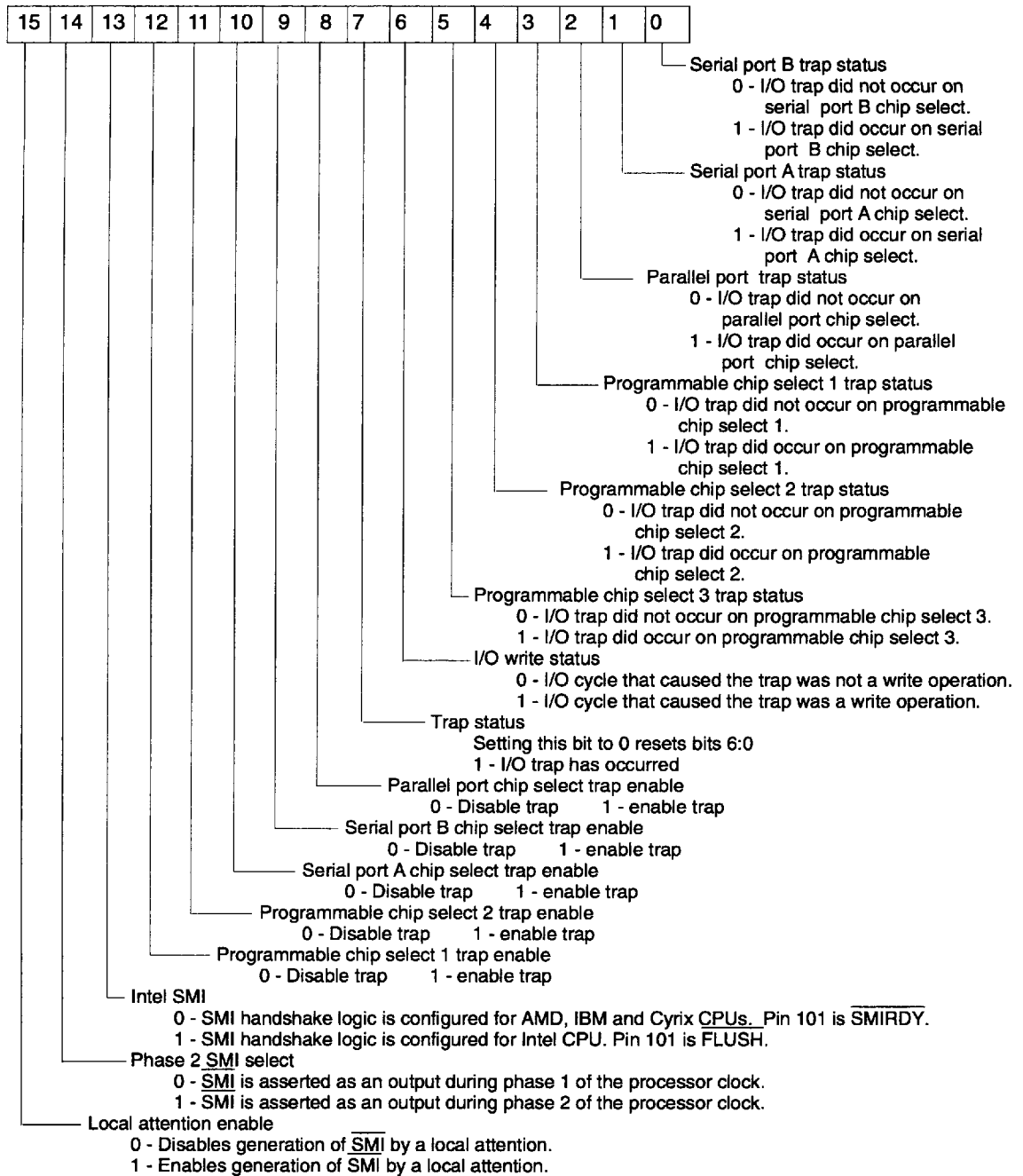
Port Address D872H - Activity Monitor Mask Register - Read and Write



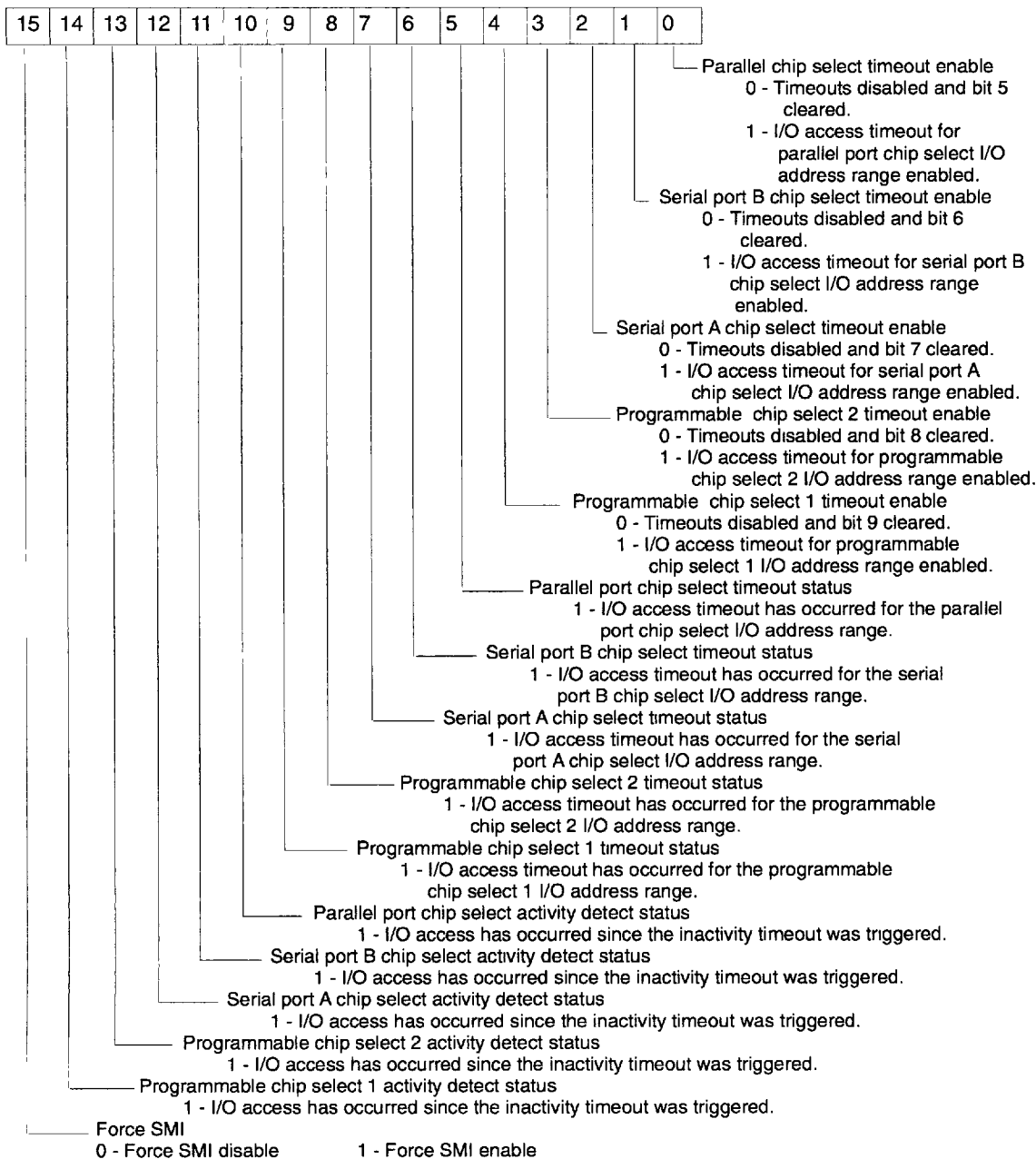
**B.15 SYSTEM MANAGEMENT INTERRUPT (SMI)**

Port Address 7C72H - SMI I/O Trap Control Register

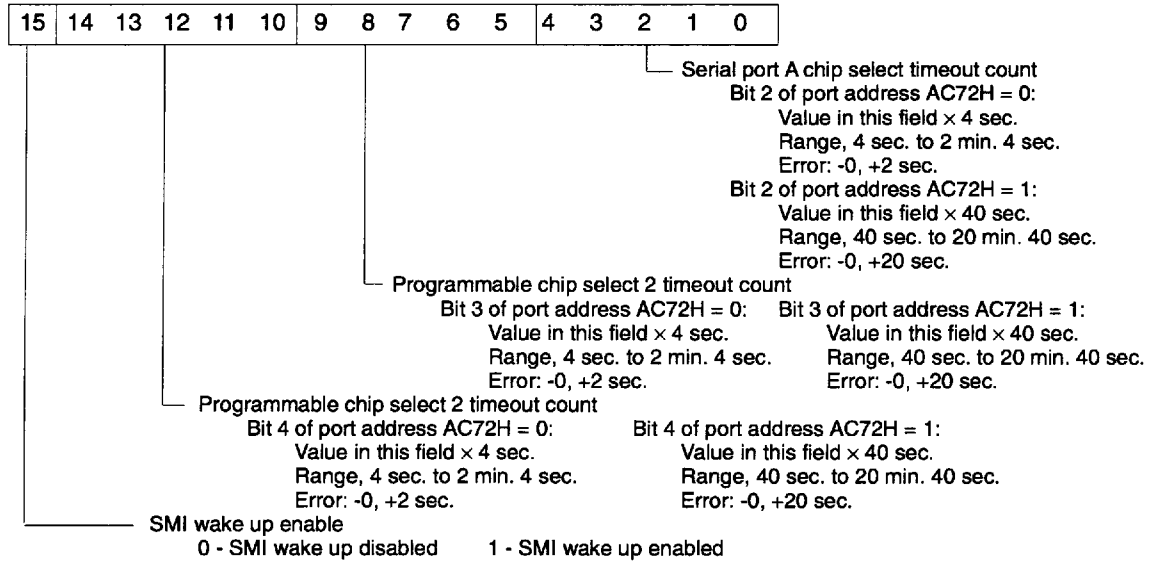
- Bits 15:8 Read and Write, Bit 7 Read and Clear, Bits 6:0 Read Only



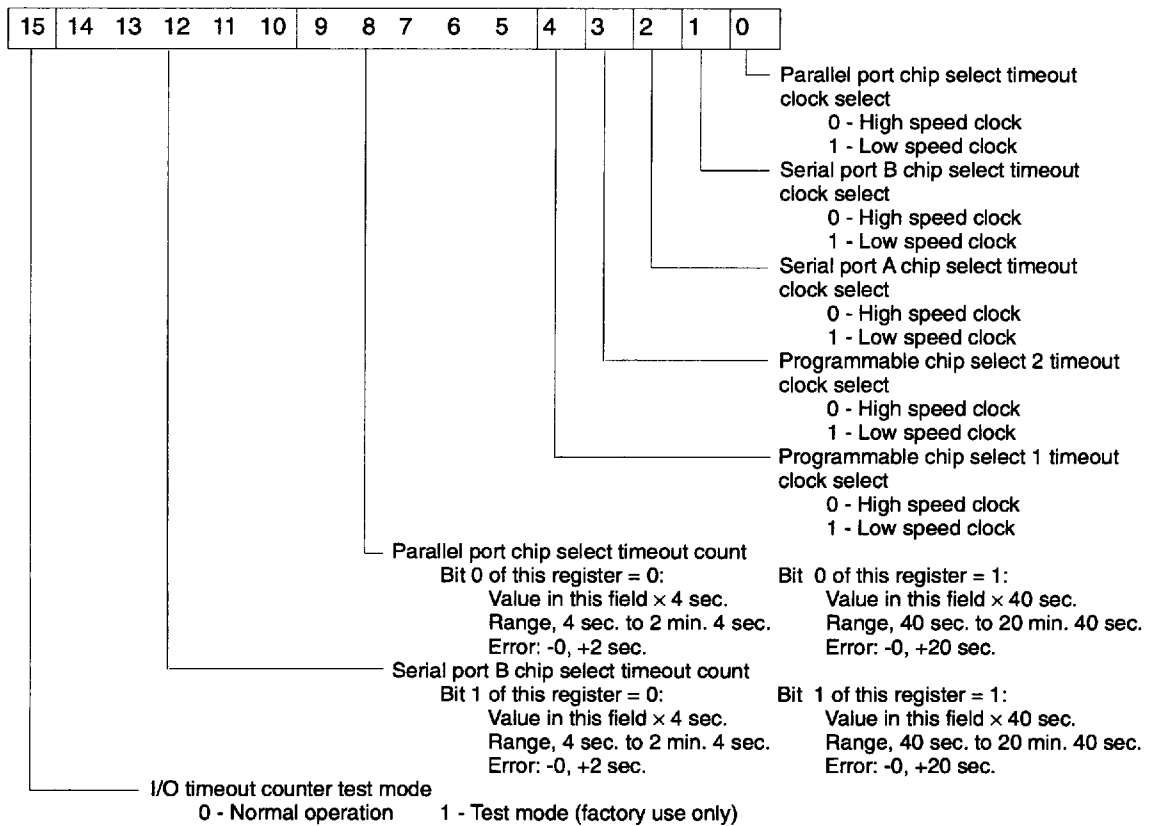
Port Address 9C72H - SMI I/O Timeout Control Register  
 - Bits 15, 4:0 Read and Write, Bits 14:0 Read Only



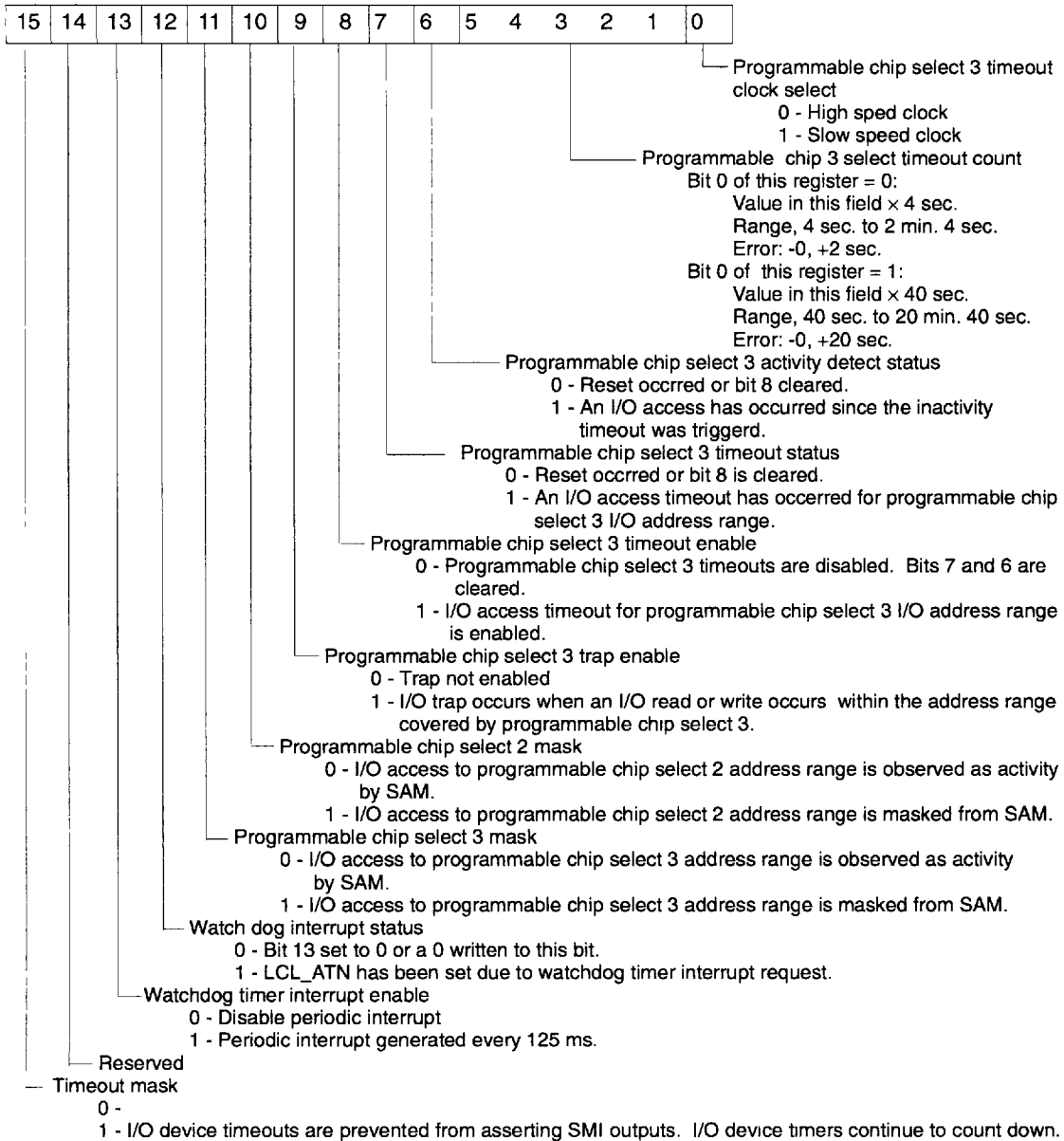
Port Address A472H - SMI Timeout Count Register 1 - Read and Write



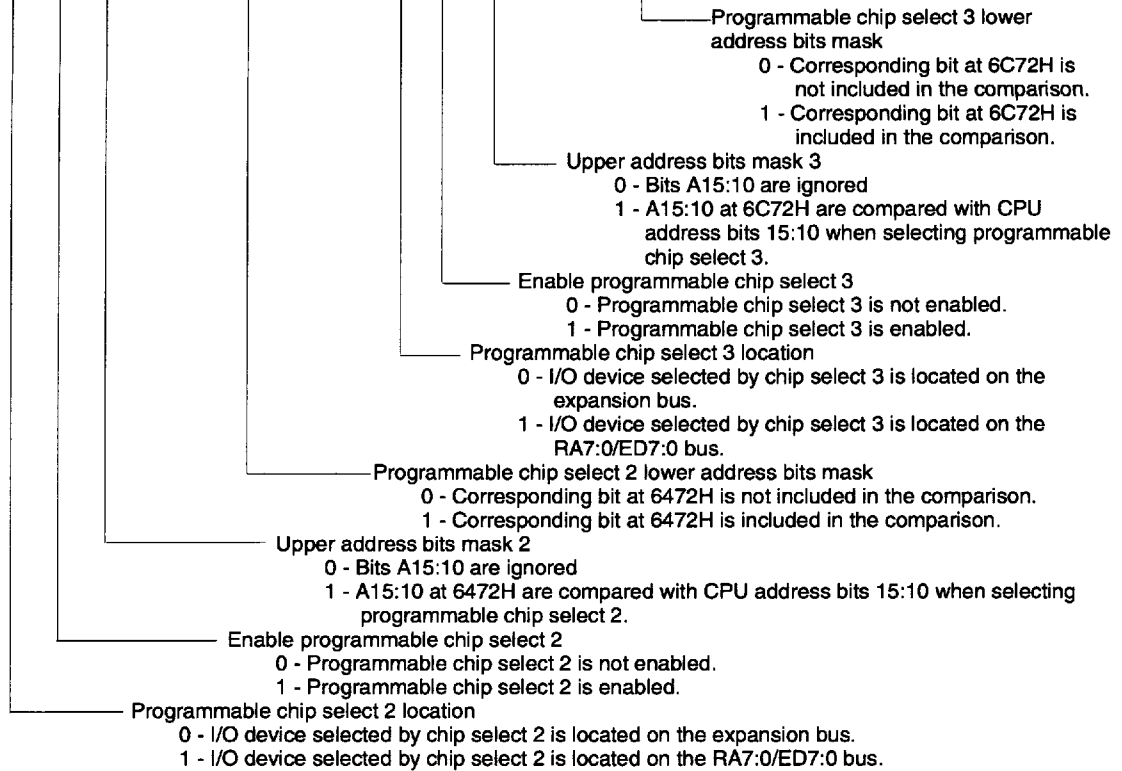
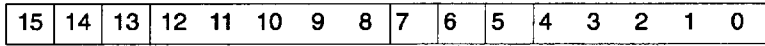
Port Address AC72H - SMI Timeout Count Register 2 - Read and Write



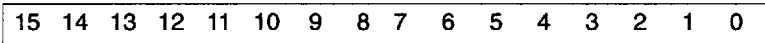
Port Address 5472H - SMI Auxiliary Control Register  
 - Bits 15, 13, 11:8, 5:0 Read and Write, Bit 12 Read and Clear, Bits 7:6 Read Only



Port Address 5C72H - Programmable CS2 and CS3 Control Register - Read and Write

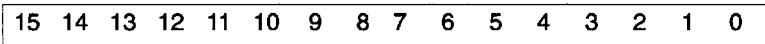


Port Address 6472H - Programmable CS2 Address Register - Read and Write



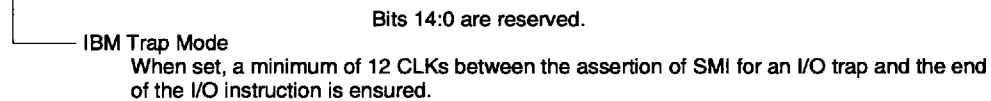
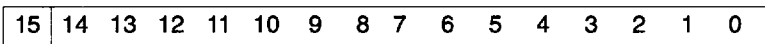
Bits 15:0 provide the base address of the I/O device corresponding to programmable chip select 2.

Port Address 6C72H - Programmable CS3 Address Register - Read and Write



Bits 15:0 provide the base address of the I/O device corresponding to programmable chip select 3.

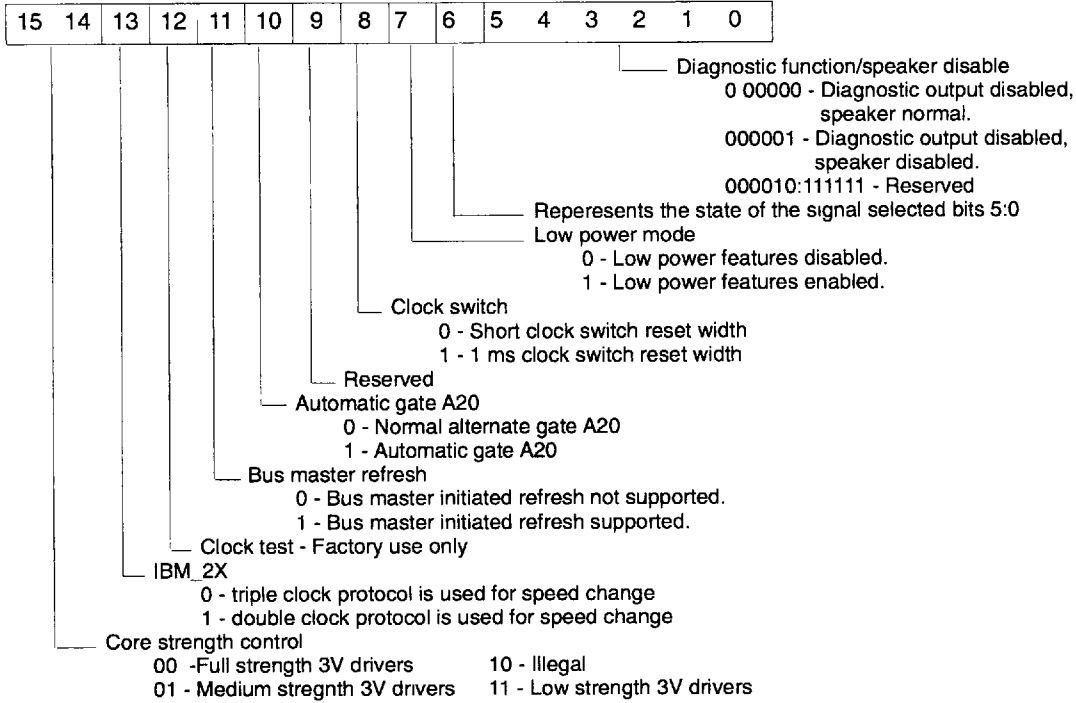
Port Address 8472H - IBM I/O Trap Register - Read only when in Virus Protection mode.



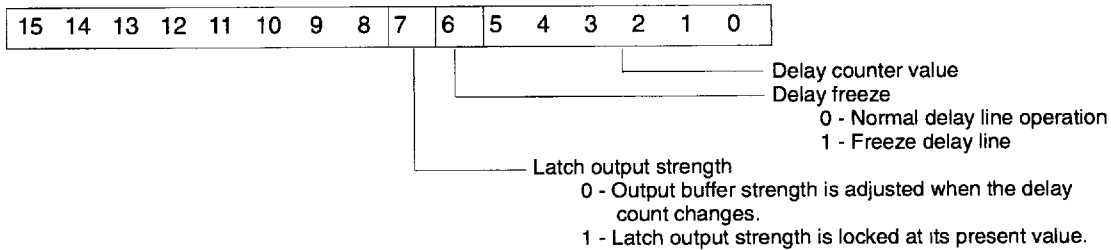


**B.16 DIAGNOSTICS**

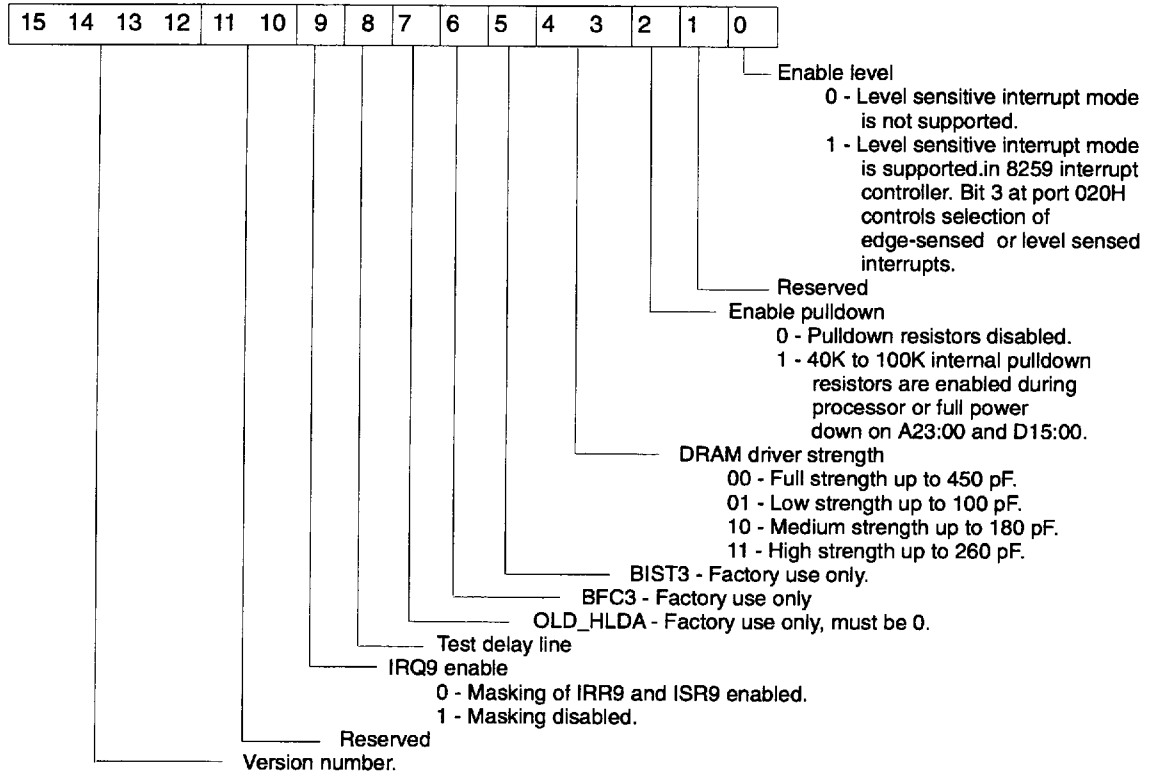
Port Address 9872H - Diagnostic Register - Read and Write



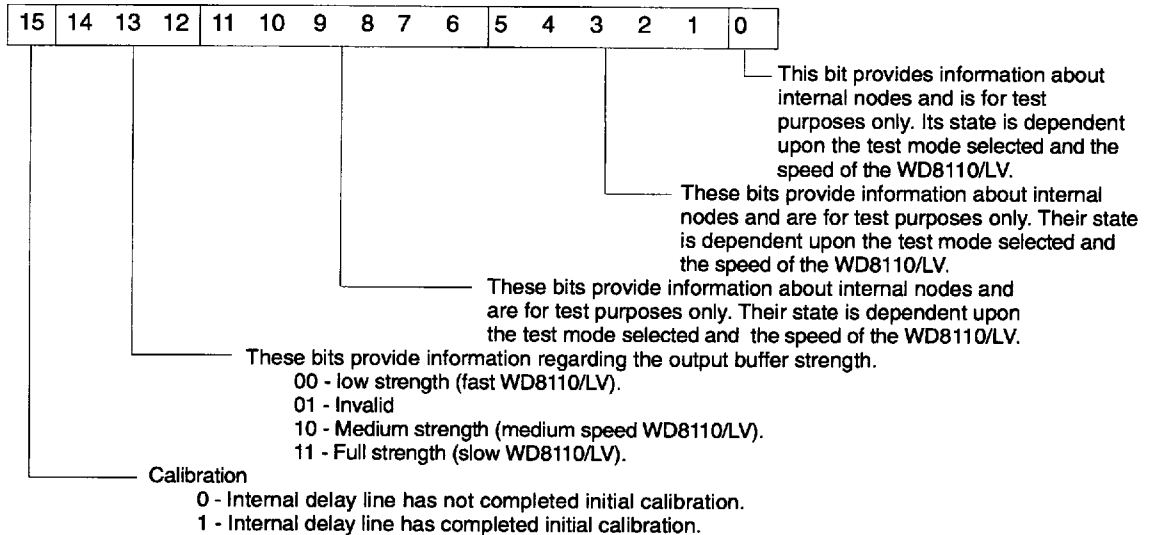
Port Address A072H - Delay Line Diagnostic Register - Read and Write



Port Address A872H - Test Enable Register - Bits 15:10 Read Only, Bits 9:0 Read and Write

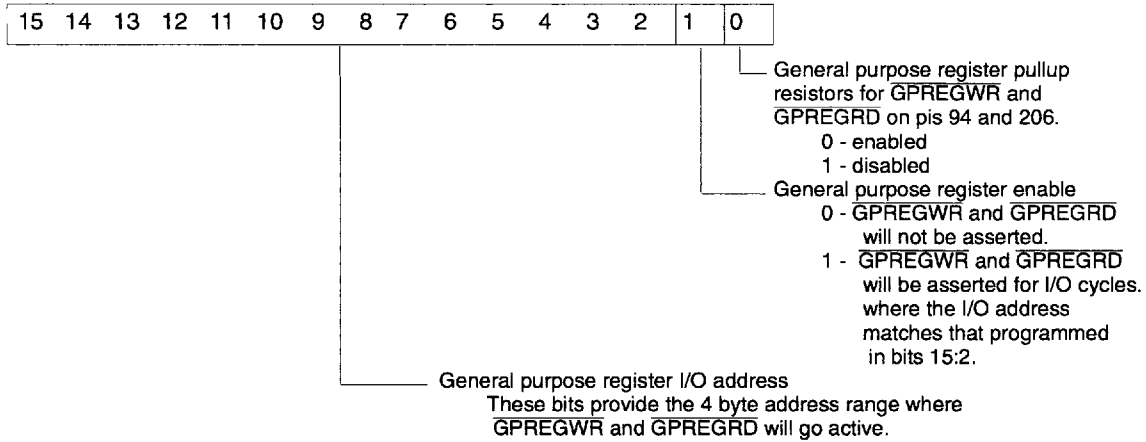


Port Address DC72H - Test Status Register - Read Only

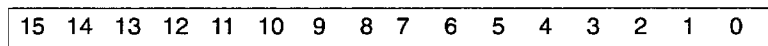


**B.17 MISCELLANEOUS REGISTERS**

Port Address 9472H - General Purpose I/O Control Register - Read and Write

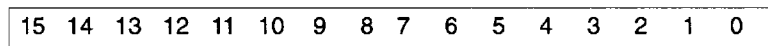


Port Address 3872H - General Purpose I/O Write Shadow Register - Read Only



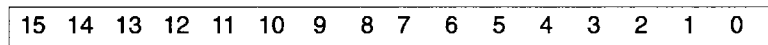
The last data written to external latches by GPREGWR.

Port Address C472H - Scratch Pad A Register - Read and Write



The last data written to this register. It performs no other function.

Port Address CC72H - Scratch Pad B Register - Read and Write



The last data written to this register. It performs no other function.



PORT ADDRESS	15	14	13	12	11	10	9	8	7	6	5	4	3	2	1	0
008, 0D0									Depends on application. See sections 5.4.8, 5.4.9							
009, 0D2									0	0	0	0	0	0	0	0
00A, 0D4									1	1	1	1	1	1	1	1
00B, 0D6									No default							
00C, 0D8									No default							
00D, 0DA									No default							
00E, 0DC									No default							
00F, 0DE									1	1	1	1	1	1	1	1
020, 0A0									No default							
021, 0A1									No default							
061:06F									0	0	X	1	0	0	0	0
070, 0070									1	X	X	X	X	X	X	X
071, 0071									No default							
092, 0092									X	X	X	X	0	X	0	0
ESF190									0	0	0	0	0	0	0	0
ESF191									0	0	0	0	0	0	0	0
ESF192									0	0	0	0	0	0	0	0
ESF193									0	0	0	0	0	0	0	0
ESF194									0	0	0	0	0	0	0	0
ESF195									0	0	0	0	0	0	0	1
ESF196									0	0	0	0	0	0	1	0
ESF197									0	0	0	0	0	0	1	1
ESF198									0	0	0	0	0	0	0	0
ESF199									1	1	1	1	1	1	1	1
ESF19A									0	0	0	0	0	0	0	0
ESF19B									0	0	0	0	0	0	0	0
ESF19C									0	0	0	0	0	0	0	0
ESF19D									0	0	0	0	0	0	0	0
ESF19E									0	0	0	0	0	1	0	0
ESF19F									0	0	0	0	0	0	0	0
ESF1A0									1	1	0	0	0	0	0	0
ESF1A1									1	1	1	1	1	1	1	1
ESF1A2									1	1	1	1	1	1	1	1

TABLE B-1. REGISTER DEFAULT STATES AT RESET



PORT ADDRESS	15	14	13	12	11	10	9	8	7	6	5	4	3	2	1	0
ESF1A3									1	1	1	1	1	1	1	1
ESF1A4									1	1	1	1	1	1	1	1
ESF1A5									1	1	1	1	1	1	1	1
ESF1A8									1	0	0	0	0	0	0	0
ESF1A9									0	0	0	0	0	0	0	0
ESF1AA									0	0	0	0	0	0	0	0
ESF1AB									1	1	0	0	0	1	1	1
1072	0/1	0	0	1	0	0	0	0	X	0	0	0	X	X	0	0
1872	0	0	0	X	0	0	0	0	1	1	0	0	1	0	1	0
2072	0	0	0	0	0	0	0	0	0	0	0	0	0	0	0	0
2872	0	0	0	0	0	0	0	0	0	0	0	0	0	0	0	0
3072	No default															
3872	0	0	0	0	0	0	0	0	0	0	0	0	0	0	0	0
3C72	0	0	0	0	0	0	0	0	0	0	0	0	0	0	0	0
4472	0	0	0	0	0	0	0	0	0	0	0	0	0	0	0	0
4C72	0	0	0	0	0	0	0	0	0	0	0	0	0	0	0	0
5472	0	0	0	0	0	0	0	0	0	0	0	0	0	0	0	0
5C72	0	0	0	0	0	0	0	0	0	0	0	0	0	0	0	0
6472	0	0	0	0	0	0	0	0	0	0	0	0	0	0	0	0
6C72	0	0	0	0	0	0	0	0	0	0	0	0	0	0	0	0
7072	No default															
7472	0	0	0	0	0	0	0	0	0	0	0	0	0	0	0	0
7872	No default															
7C72	0	0	0	0	0	0	0	0	0	0	0	0	0	0	0	0
8072	0	0	0	0	0	0	0	0	0	0	0	0	0	0	0	0
8472	0	0	0	0	0	0	0	0	0	0	0	0	0	0	0	0
8872	0	0	0	0	0	0	0	0	X	X	X	X	X	X	X	X
8C72	X	X	X	X	X	X	0	0	0	0	0	0	0	0	0	0
9072	0	0	0	0	0	0	0	0	0	0	0	0	0	0	0	0
9472	0	0	0	0	0	0	0	0	0	0	0	0	0	0	0	0
9872	0	0	0	0	0	0	X	0	X	0	0	0	0	0	0	0
9C72	0	0	0	0	0	0	0	0	0	0	0	0	0	0	0	0
A072	X	X	X	X	X	X	X	X	0	0	X	X	X	X	X	X
A472	0	0	0	0	0	0	0	0	0	0	0	0	0	0	0	0

TABLE B-1. REGISTER DEFAULT STATES AT RESET (Continued)



PORT ADDRESS	15	14	13	12	11	10	9	8	7	6	5	4	3	2	1	0
A872	0	0	1	1	0	0	0	0	0	0	0	0	0	0	0	0
AC72	0	0	0	0	0	0	0	0	0	0	0	0	0	0	0	0
B072	0	X	0	X	X	X	X	0	0	0	0	0	0	0	0	0
B472	0	0	0	0	0	0	0	0	0	0	0	0	0	0	0	0
B872	0	0	0	0	0	0	0	0	0	0	0	0	0	0	0	0
BC72	0	0	0	0	0	0	0	0	0	0	0	0	0	0	0	0
C072	0	X	X	X	1	0	0	1	0	1	1	1	0	1	1	1
C472	0	0	0	0	0	0	0	0	0	0	0	0	0	0	0	0
C872	0	0	0	0	0	0	X	X	0	0	0	0	0	0	X	X
CC72	0	0	0	0	0	0	0	0	0	0	0	0	0	0	0	0
D072	No default															
D472	X	1	0	X	X	X	X	X	X	X	X	X	X	X	X	X
D872	0	0	0	0	0	0	0	0	0	0	0	0	0	0	0	0
DC72	No default															
E472	X	X	X	X	X	0	0	0	1	X	X	X	X	X	X	X
F073	No default															
FC72	No default															
1. Shaded area indicates that no bits are present. 2. X indicates that there is no default setting.																

TABLE B-1. REGISTER DEFAULT STATES AT RESET (Continued)



## B.18 REGISTER DESCRIPTION QUICK REFERENCE INDEX

PORT ADDRESS (HEX)	REGISTER NAME	PAGE
008, 0D0	Command Register	202, 203
009, 0D2	Request Register	203
00A, 0D4	Single Mask Register	203
00B, 0D6	Mode Register	204
00C, 0D8	Clear Point Register	203
00D, 0DA	Master Clear Register	203
00E, 0DC	Clear Mask Register	203
00F, 0DE	Mask Multiple Register	203
020, 0A0	ICW1 - Initialization Command Word 1	204
020, 0A0	OCW2 - Operation Control Word 2	205
020, 0A0	OCW3 - Operation Control Word 3	205
021, 0A1	ICW2 - Initialization Command Word 2	204
021	ICW3 - Initialization Command Word 3, Interrupt Controller 1	204
0A1	ICW3 - Initialization Command Word 3, Interrupt Controller 1	205
021, 0A1	ICW4 - Initialization Command Word 4	205
021, 0A1	OCW1 - Operation Control Word 1	205
061 - 06F odd	Port B Parity Error and I/O Channel Check	206
070, 0070	NMI and Real-Time Clock Address Register	206
071, 0071	NMI and Real-Time Clock Data Register	206
080, 0D0	Command Register	199
092, 0092	Lock Pass, ALT A20 Gate and Hot Reset	206
0EC	Busy Bypass Control	197
0EE	Fast A20 Gate Control	198
0EF	Fast CPU Reset Control	198
0F9	Disable Privy	197
0FB	Enable Privy	197
ESF190	Bank 0:1 Address Mux Control	207
ESF191	Bank 2:3 Address Mux Control	207
ESF192	Bank 0 Size Control	208
ESF193	Split Address Start	210
ESF194	Bank 0 Start Address	210
ESF195	Bank 1 Start Address	210
ESF196	Bank 2 Start Address	210
ESF197	Bank 3 Start Address	210
ESF198	DRAM Mode	211
ESF199	DRAM Parameters Bank 0	211
ESF19A	Bank 1 Size Control	208
ESF19B	Bank 2 Size Control	208
ESF19C	Bank 3 Size Control	209
ESF19D	Bank 4 Size Control	209
ESF19E	Bank 4 Start Address	210
ESF19F	System Configuration	206
ESF1A0	Bank 4 Address Mux Control	207
ESF1A1	DRAM Parameters Bank 1	212
ESF1A2	DRAM Parameters Bank 2	212
ESF1A3	DRAM Parameters Bank 3	212
ESF1A4	DRAM Write Cycle Parameters Banks (3:0)	212
ESF1A5	DRAM Parameters Bank 4	212
ESF1A8	Static Column Or Page Mode	211



PORT ADDRESS (HEX)	REGISTER NAME	PAGE
ESF1A9	Memory Shadow Control 2 . . . . .	209
ESF1AA	Memory Shadow Control . . . . .	209
ESF1AB	Split Memory Control and SMI RAM Start Address . . . . .	210
1072	CPU Clock Control . . . . .	199
1872	Bus Timing And Power Down Control . . . . .	202
2072	Refresh Control, Serial And Parallel Chip Selects . . . . .	213
2872	RTC, PVGA, Chip Selects . . . . .	214
3072	Programmable Chip Select Address . . . . .	214
3872	General Purpose I/O Write . . . . .	227
3C72	DMA Shadow 1 . . . . .	217
4472	DMA Shadow 2 . . . . .	217
4C72	DMA Shadow 3 . . . . .	217
5472	SMI Auxiliary Control . . . . .	223
5C72	Programmable CS2 and CS3 Control . . . . .	224
6472	Programmable CS2 Address . . . . .	224
6C72	Programmable CS3 Address . . . . .	224
7072	PMC Output Control 7:0 . . . . .	214
7472	Backlight Mouse And SMI Control . . . . .	213
7872	PMC Output Control 15:8 . . . . .	215
7C72	SMI I/O Trap Control . . . . .	220
8072	PMC Timers . . . . .	215
8472	IBM I/O Trap . . . . .	224
8872	PMC Inputs 7:0 . . . . .	215
8C72	Stop Clock Control . . . . .	200
9072	NMI Status . . . . .	215
9472	General Purpose I/O Control . . . . .	227
9872	Diagnostic . . . . .	225
9C72	SMI I/O Timeout Control 1 . . . . .	221
A072	Delay Line Diagnostic . . . . .	225
A472	SMI I/O Timeout Count 2 . . . . .	222
A872	Test Enable . . . . .	226
AC72	SMI I/O Timeout Count 3 . . . . .	222
B072	Activity Monitor Control . . . . .	218
B472	Enhanced DMA Clock . . . . .	201
B872	DMA Mode Shadow . . . . .	204
BC72	Enhanced DMA Clock . . . . .	201
C072	ROM Bank Select Control . . . . .	201
C472	Scratchpad A . . . . .	227
C872	PMC Interrupt Enables . . . . .	215
CC72	Scratchpad B . . . . .	227
D072	Serial/Parallel Shadow . . . . .	216
D472	Interrupt Controller Shadow . . . . .	216
D872	Activity Monitor Mask . . . . .	219
DC72	Test Status . . . . .	226
E472	Port 70H Shadow . . . . .	216
F073	Lock/Unlock . . . . .	199
FC72	Lock Status . . . . .	199





## C.0 REVISION HISTORY

### C.1 REVISION HISTORY 1

Revision History 1 identifies the changes made from the document dated 3/25/93 to the document dated 6/9/93.

The changes incorporated in the document dated 6/9/93 consist of:

1. Section 1.2 - Second feature modified
2. Section 1.3.1 - Last paragraph added.
3. Section 1.3.2 - Third paragraph - WD8120LV Super I/O added.
4. Section 1.3.3.3 - Modified
5. Section 1.3.3.4 - Modified
6. Section 1.4 - New
7. Table 3-2 - Pin 107, LBCLK description modified. Pin 102 corrected.  $\overline{\text{STP\_REQ}}$  description modified.  $\overline{\text{FERR}}$  description modified. MDIR description modified. MDEN description modified.
8. Section 4.2 - Expanded.
9. Section 4.2.3 - Expanded.
10. Figure 4-1 - Modified
11. Section 4.2.6 - Bits 07:04 added. 98% duty cycle added.
12. Section 4.2.7 - Bit 09 added. SCK(1:0) = 00 modified.
13. Section 5.4.8 - Section reference corrected.
14. Section 5.9 - D\_PE = 0 -, description modified.
15. Section 6.4.1 - Bits 5:4 - CPU Speed, description added
16. Table 6-1 - ON column modified
17. Section 6.4.9 - Bit 7 - PAR\_CHE, Description added.
18. Section 6.5 - Bits 13:10 added
19. Table 7-3. - EMS replaced with reserved.
20. Section 10.3 - Version A and B added.
21. Table 13-1 - SD(15:0) given its own table.
22. Table 14-1 - Modified.
23. Table 14-3 - New.
24. Figure 14-1 - Modified.
25. Figure 14-2 - Modified.
26. Figure 14-29 - Modified.
27. Table 14-7 - T60:T62, T158 deleted, T305 modified.
28. Section 14.3 - Paragraph modified.
29. Table 14-9 - Modified.
30. Figure 14-36 - New.
31. Figure 14-37 - New.
32. Figure 14-38 - Modified.
33. Figure 14-39 - New.
34. Figure 14-40 - New.
35. Figure 14-41 - Modified caption.
36. Table 15-1 - Modified.
37. Appendix A - Space assigned. Data to be provided in future document.
38. Appendix B - New.
39. Appendix C - New.



**C.2 REVISION HISTORY 2**

Revision History 2 identifies the changes made from the document dated 6/9/93 to the document dated 8/12/93.

The changes incorporated in the document dated 8/12/93 consist of:

1. Section 1.2 - Seventh feature modified.
2. Section 1.4 - Corrected.
3. Figures 1-1, 1-2 - 74ACT45S changed to (Optional)
4. Table 2-1 - References to table updated, F073 relocated.
5. Section 4.2.5 - Second paragraph deleted.
6. Section 4.2.7 - Bits 08:07 modified.
7. Section 4.2.8 - Bit 02, active changed to inactive. Bit 00, new description.
8. Section 6.4.1 - Default list corrected.
9. Section 6.4.8 - Bit 1 and Bit 2 signal description, polarity reversed.
10. Section 6.4.10 - Default value added to the six registers.
11. Section 6.5 - Bits 10:08, missing A01 added.
12. Section 8.15.1.1 - Paragraph 4 modified.
13. Section 10.1 - Default list update.
14. Section 10.3 - Default list updated. Bits 15:12, Version C added.
15. Section 12.1 - Second paragraph, two changed to three.
16. All of sections 13 and 14 - Changed to provide WD8110LV specifications. WD8110LV deleted from appendix A.
17. Table 14-1 - 14-4 TBD deleted and table numbers update.
18. Table 14-3 - T203 spec. added.
19. Table 14-4 - Deleted. Following table numbers updated and pagination updated.
20. Table 14-8 - T451:T454 specification added.
21. Figures 14-1:10 - T numbers added.
22. Figure 14-41 - WD7855 changed to WD8110/LV
23. Section B.0 - Modified.
24. Section B.4 - Port Address BC72H modified to reflect change made to section 4.2.8.
25. Section B.9 - Port Address 198H modified to reflect change made to section 6.4.8.
26. Table B-1 - Added.
27. Quick Reference Index - Redone.

**C.3 REVISION HISTORY 3**

Revision History 3 identifies the changes made from the document dated 8/12/93 to the document dated 9/15/93.

The changes incorporated in the document dated 9/15/93 consist of:

1. Section 1.0 - "all" added to 80486SX
2. Section 1.2 - Features 1, 2, 3, 6, 12, 18, 24, 26, 27, modified.
3. Section 1.3 - First paragraph last sentence modified.
4. Section 1.3.1 - Two way interleave deleted.
5. Section 1.3.3.1 - Title modified.
6. Section 1.3.3.2 - Modified.
7. Section 1.3.3.5 - Modified.
8. Section 1.3.3.6 - Modified.
9. Section 1.3.3.8 - Modified.
10. Figure 1-1 - Modified.
11. Figure 1-2 - Modified.
12. Section 2.1.2 - First paragraph modified.



- 13. Section 2.3 - First paragraph modified.
- 14. Section 2.6 - Modified.
- 15. Section 2.8 - Modified.
- 16. Table 2-1 - Modified.
- 17. Table 3-1 - Pin 120 corrected.
- 18. Table 3-2 - Data Bits 31 through 00 description modified. VDD description modified and pin 120 added.
- 19. Section 4-1 - Main Processor changed to CPU.
- 20. Section 4.2.5 - Last two paragraphs modified.
- 21. Section 4.2.6 - AUT\_FST = 1, reference to EXT\_HOLD deleted. ATPUEN = 1, modified.
- 22. Section 5.1 - (ROM AT BUS) deleted.
- 23. Table 5-1 - Last line added.
- 24. Figure 5-1 - Modified.
- 25. Section 5.5.2.4 - Spaces removed from SFNM.
- 26. Section 6.0 - Static Column Mode added.
- 27. Section 6.1 - First two paragraphs modified.
- 28. Section 6.3 - "or system BIOS" added to item 3. All items marked with an \* deleted.
- 29. Section 6.4 - (VPMODE) deleted from last paragraph.
- 30. Section 6.4.1 - CPU Speed changed to RAS Timeout.
- 31. Section 6.4.5.1 - Opening statement deleted.
- 32. Section 6.4.8 - Bits 1 and 0 switched.
- 33. Section 6.4.9 - Cross reference added to bits 6:4
- 34. Section 6.5 - Bits 15:14 = 10 and 11 reserved.
- 35. Section 7.1 - Video replaced on-board memory.
- 36. Section 7.2 - NOTE modified.
- 37. Section 8.1 - a) Last paragraph modified. 6. Last line modified.
- 38. Figure 8-1 - 8042 changed to Keyboard Controller.
- 39. Table 8-1 - Source column added.
- 40. Section 9.1 - Last paragraph modified.
- 41. Section 9.1.1 - New.
- 42. Section 9.1.2 - Was section 9.2. Bit 13 description modified.
- 43. Sections 9.2 - Renumbered from 9.3 through 9.10 through 9.6
- 44. Section 9.3 - Was section 9.7. Bits 05:01 modified.
- 45. Section 12.1 - IO Trapping paragraph modified. ATA/IDE Hard Disk Interface paragraph, 5CH changed to C5H.
- 46. Section 12.3 - Items 1-3 deleted.
- 47. Table 14-3 - T201 modified.
- 48. Figure 14-1 - Caption modified.
- 49. Figure 14-3 - Caption modified.
- 50. Figure 14-4 - Caption modified.
- 51. Figure 14-10 - Caption modified.
- 52. Table 14-8 - Caption modified.
- 53. Figure 14-41 - Note 2 and caption modified.
- 54. Table 14-10 - New.
- 55. Table 14-11 - New.
- 56. Table 14-12 - New.
- 56. Figure 14-42 - New.
- 57. Table 15-2 - Pin 120 added.
- 58. Section 16 - New, previous section 16 renumbered to section 17.
- 59. Section B.9 - ESF Port Address 19FH bits 5:4 name changed. ESF Port Address 198H bits 1 and 0 switched.
- 60. Section B.10 - Bits 15:14, 10 and 11 reserved.
- 61. Index - New.



**C.4 REVISION HISTORY 4**

Revision History 4 identifies the changes made from the document dated 9/15/93 to the document dated 11/30/93.

The changes incorporated in the document dated 11/30/93 consist of:

1. Table 13-1 - Modified MIN, MAX for VIH, VIL and IIL. Deleted  $\overline{RDYIN}$ , PMCIN and DP(3:0).



INDEX

NUMERIC

10-bit Mode I/O Decoding . . . . . 63  
 10-bit Mode Port B access . . . . . 65  
 16-bit Mode I/O Decoding . . . . . 63  
 16-bit Mode Port B access . . . . . 65  
 1X/2X . . . . . 17, 30, 34  
 3 Volt AT Buffer - 3VBUFF . . . . . 39  
 3 Volt Core - 3VCORE . . . . . 39  
 3VBUFFER . . . . . 15, 30  
 80386DX Mode . . . . . 6  
 80386SX Mode . . . . . 6  
 80486SX/DX Mode - MODE486 . . . . . 39

A

Activity After INDET - ACTAFT . . . . . 105  
 Activity Before INDET - ACTBEF . . . . . 105  
 Activity Latch - ACTLCH . . . . . 104  
*Activity Monitor Control Register - Port B072H*  
 Activity After INDET - ACTAFT . . . . . 105  
 Activity Before INDET - ACTBEF . . . . . 105  
 Activity Latch - ACTL\_CH . . . . . 104  
 Activity Monitor Counter Course -  
 AMC7:AMC4 . . . . . 105  
 Activity Monitor Counter Fine -  
 AMC3:AMC0 . . . . . 106  
 Activity Monitor Enable - AMEN . . . . . 105  
 Activity Monitor Test Mode - AMTM . . . . . 104  
 Counter Bit 12 - CB12 . . . . . 104  
 Inactivity Detect - INDET . . . . . 104  
 Interrupt Request Register Activity E -  
 IRRAE . . . . . 104  
 Activity Monitor Counter Course -  
 AMC7:AMC4 . . . . . 105  
 Activity Monitor Counter Fine - AMC3:AMC0 . . . . . 106  
 Activity Monitor Enable - AMEN . . . . . 105  
*Activity Monitor Mask Register - Port D872H*  
 Coprocessor Mask - COPM . . . . . 107  
 Hard Disk Data Port Mask - HDDM . . . . . 107  
 Interrupt Mask Select - IMS1:0 . . . . . 107  
 Interrupt Request Register 0 Mask -  
 IRR0M . . . . . 108  
 Interrupt Request Register 7 Mask -  
 IRR7M . . . . . 108  
 Interrupt Request Register 8 Mask -  
 IRR8M . . . . . 107  
 Interrupt Service Register 0 Mask -  
 ISR0M . . . . . 108  
 Interrupt Service Register 7 Mask -  
 ISR7M . . . . . 108  
 Interrupt Service Register 8 Mask -  
 ISR8M . . . . . 108

Non-Maskable Interrupt Mask - NMIM . . . . . 107  
 Power Management Control Input Level  
 Select - PMCILS . . . . . 107  
 Power Management Control Input Select -  
 PMCIS(2:0) . . . . . 107  
 Programmable Chip Select 1 Mask -  
 PCS\_1M . . . . . 106  
 Activity Monitor Test Mode - AMTM . . . . . 104  
 Activity Monitor Timeout - AMTOUT . . . . . 102  
 Advantages of SAM . . . . . 94  
 Address Decrement - AD\_DEC . . . . . 54  
 Address Decrement 0 - AD\_DEC0 . . . . . 109  
 Address Decrement 1 - AD\_DEC1 . . . . . 109  
 Address Decrement 2 - AD\_DEC2 . . . . . 108  
 Address Decrement 3 - AD\_DEC3 . . . . . 109  
 Address Decrement 5 - AD\_DEC5 . . . . . 109  
 Address Decrement 6 - AD\_DEC6 . . . . . 110  
 Address Decrement 7 - AD\_DEC7 . . . . . 110  
 ALT\_A20G . . . . . 128  
 ALT\_CLK\_SPD . . . . . 36  
 Alternate Clock Speed - ALT\_CLK\_SPD . . . . . 37  
 Alternate A20 Gate - ALT\_A20G . . . . . 65  
 AMD . . . . . 116  
 AT Bus Clock . . . . . 112, 113  
 AT Bus Master . . . . . 6  
 AT Bus Pullup Enable - ATPUEN . . . . . 40  
 AutoFast SMI Enable - ASMIE . . . . . 84  
 AUT\_FST . . . . . 36, 83  
 Auto End of Interrupt - AUT\_EOI . . . . . 58, 102  
 AutoFast for 1X Clock Intel CPUs . . . . . 33  
 AutoFast Memory Write Detection Enable -  
 AMWDE . . . . . 83  
 AutoFast SMI Status - ASMIS . . . . . 37  
 AutoFast Stop Request Enable - ASRE . . . . . 37  
 Autoinitialize - AUTO . . . . . 54  
 Autoinitialize 0 - AUTO0 . . . . . 109  
 Autoinitialize 1 - AUTO1 . . . . . 109  
 Autoinitialize 2 - AUTO2 . . . . . 108  
 Autoinitialize 3 - AUTO3 . . . . . 109  
 Autoinitialize 5 - AUTO5 . . . . . 109  
 Autoinitialize 6 - AUTO6 . . . . . 110  
 Autoinitialize 7 - AUTO7 . . . . . 110  
 Automatic Gate A20 - AUT\_A20 . . . . . 128  
 Automatic Processor Clock Speed Switching . . . . . 36

B

*Backlight Mouse and SMI Control Register -  
 Port 7472H*  
 AutoFast Memory Write Detection Enable -  
 AMWDE . . . . . 83  
 AutoFast SMI Enable - ASMIE . . . . . 84  
 Backlight Mouse Control - BL\_MOU . . . . . 83



Clock Start-Up Delay Enable - CSUDE . . . . .	84	CAS_PW_WT_2 . . . . .	83
Holdoff SMI When Reset Pending Disable - HSRPD . . . . .	84	CAS Pulse Width Write, Bank 3 - CAS_PW_WT_3 . . . . .	83
Keyboard Controller Location - KC_L . . . . .	83	Bank 4 Address Mux - BK 4 AD MU . . . . .	72
SMI RAM Enable - SMI_R ENB . . . . .	84	<i>Bank 4 RAS/CAS Pulse Width and Precharge Register - Port 1A5H</i>	
Backlight Mouse Control - BL_MOU . . . . .	83	CAS Precharge - CAS_PC . . . . .	81
Backlight Mouse Control Register . . . . .	98	CAS Pulse Width Read - CAS_PW_RD . . . . .	81
Backlight Time Out - BL_TIMEOUT . . . . .	98	RAS Precharge - RAS_PC . . . . .	81
Bank 0 Address Mux - BK 0 AD MU . . . . .	71	RAS Pulse Width - RAS_PW . . . . .	81
<i>Bank 0 RAS/CAS Pulse Width and Precharge Register - Port 199H</i>		<i>Bank 4 Register - Port 1A0H</i>	
CAS Precharge - CAS_PC . . . . .	79	Bank 4 Address Mux - BK 4 AD MU . . . . .	72
CAS Pulse Width Read - CAS_PW_RD . . . . .	79	Bank 4 Write Cycle CAS Pulse Width - WCCPW . . . . .	72
RAS Precharge - RAS_PC . . . . .	79	Bank Enable 4 - BK EN 4 . . . . .	71
RAS Pulse Width - RAS_PW . . . . .	79	<i>Bank 4 Size Control Register - Port 19DH</i>	
<i>Bank 0 Size Control Register - Port 192H</i>		Memory Address - MA(25:20) . . . . .	73
Memory Address - MA(25:20) . . . . .	72	Row Address Bits 41:40 - RA(41:40) . . . . .	73
Row Address Bits 01:00 - RA(01:00) . . . . .	72	Bank 4 Write Cycle CAS Pulse Width - WCCPW . . . . .	72
Bank 1 Address Mux - BK 1 AD MU . . . . .	71	Bank Enable 0 - BK_EN 0 . . . . .	71
<i>Bank 1 RAS/CAS Pulse Width and Precharge Register - Port 1A1H</i>		Bank Enable 1 - BK_EN 1 . . . . .	70
CAS Precharge - CAS_PC . . . . .	80	Bank Enable 2 - BK EN 2 . . . . .	71
CAS Pulse Width Read - CAS_PW_RD . . . . .	80	Bank Enable 3 - BK EN 3 . . . . .	71
RAS Precharge - RAS_PC . . . . .	80	Bank Enable 4 - BK EN 4 . . . . .	71
RAS Pulse Width - RAS_PW . . . . .	80	<i>Banks 0:1 Register - Port 190H</i>	
<i>Bank 1 Size Control Register - Port 19AH</i>		Bank 0 Address Mux - BK 0 AD MU . . . . .	71
Memory Address - MA(25:20) . . . . .	73	Bank 1 Address Mux - BK 1 AD MU . . . . .	71
Row Address Bits 11:10 - RA(11:10) . . . . .	73	Bank Enable 0 - BK_EN 0 . . . . .	71
Bank 2 Address Mux - BK 2 AD MU . . . . .	71	Bank Enable 1 - BK_EN 1 . . . . .	70
<i>Bank 2 RAS/CAS Pulse Width and Precharge Register - Port 1A2H</i>		Banks 2 and 3 Interleave - INTLV 2 3 . . . . .	78
CAS Precharge - CAS_PC . . . . .	80	<i>Banks 2:3 Register - Port 191H</i>	
CAS Pulse Width Read - CAS_PW_RD . . . . .	80	Bank 2 Address Mux - BK 2 AD MU . . . . .	71
RAS Precharge - RAS_PC . . . . .	80	Bank 3 Address Mux - BK 3 AD MU . . . . .	71
RAS Pulse Width - RAS_PW . . . . .	80	Bank Enable 3 - BK EN 3 . . . . .	71
<i>Bank 2 Size Control Register - Port 19BH</i>		Bank Enable 2 - BK EN 2 . . . . .	71
Memory Address - MA(25:20) . . . . .	73	BC . . . . .	130
Row Address Bits 21:20 - RA(21:20) . . . . .	73	BCLK2 . . . . .	6, 16, 47
Bank 3 Address Mux - BK 3 AD MU . . . . .	71	BF34:BF30 . . . . .	130
<i>Bank 3 RAS/CAS Pulse Width and Precharge Register - Port 1A3H</i>		BFC3 . . . . .	129
CAS Precharge - CAS_PC . . . . .	81	BIOS ROM Space - ROM SP . . . . .	75
CAS Pulse Width Read - CAS_PW_RD . . . . .	81	BIST3 . . . . .	129
RAS Precharge - RAS_PC . . . . .	81	Bus Master Refresh - REF_MAS . . . . .	128
RAS Pulse Width - RAS_PW . . . . .	81	Bus Mode - BUS_MOD . . . . .	47
<i>Bank 3 Size Control Register - Port 19CH</i>		Bus Request Delay - BRQ_DEL . . . . .	47
Memory Address - MA(25:20) . . . . .	73	BUS_RST . . . . .	44
Row Address Bits 31:30 - RA(31:30) . . . . .	73	<i>Busy Bypass Control Register - Port 0ECH</i>	197
<i>Bank 3:0 CAS Pulse Width Write Register - Port 1A4H</i>		<b>C</b>	
CAS Pulse Width Write, Bank 0 - CAS_PW_WT_0 . . . . .	83	C Address Range - CA18:16 . . . . .	43
CAS Pulse Width Write, Bank 1 - CAS_PW_WT_1 . . . . .	83	Calibration - CAL . . . . .	130
CAS Pulse Width Write, Bank 2 -		CAS Before RAS Refresh for On-Board DRAM - CBR_REF . . . . .	85
		CAS Precharge - CAS_PC . . . . .	79 - 81



CAS Pulse Width Read - CAS_PW_RD	79 - 81	CMOS RAM Password Area	89
CAS Pulse Width Write, Bank 0 -		<i>Command Register - Port 008H, 0D0H</i>	
CAS_PW_WT_0	83	Controller Disable - CO_DIS	52
CAS Pulse Width Write, Bank 1 -		Extended Write - EX_WR	52
CAS_PW_WT_1	83	Rotating Priority - RO_PRI	52
CAS Pulse Width Write, Bank 2 -		Controller Disable - CO_DIS	110
CAS_PW_WT_2	83	Controller Disabled - CO_DIS	52
CAS Pulse Width Write, Bank 3 -		Coprocessor Mask - COPM	107
CAS_PW_WT_3	83	Core Strength Control - CSC(1:0)	127
Channel 0 DRQ Active - CH0_DRQ	52	Counter Bit 12 - CB12	104
Channel 0 Has Reached TC - CH0_TC	52	CPU Phase Lock Loop Stabilization Support	33
Channel 0 Mask - CH0_MA	53	CPUCLK	6, 16, 34, 47, 94
Channel 1 DRQ Active - CH1_DRQ	52	CPUCLK Clock Source - SRC	36
Channel 1 Has Reached TC - CH1_TC	52	CPUCLK Clock Speed - CLK_SPD	36
Channel 1 Mask - CH1_MA	53	<i>CPUCLK Control Register - Port 1072H</i>	
Channel 2 - Has Reached TC - CH2_TC	52	Stop Grant AutoFast Enable - SGAE	37
Channel 2 DRQ Active - CH2_DRQ	52	Alternate Clock Speed - ALT_CLK_SPD	37
Channel 2 Mask - CH2_MA	53	AutoFast SMI Status - ASMIS	37
Channel 3 DRQ Active - CH3_DRQ	52	AutoFast Stop Request Enable - ASRE	37
Channel 3 Has Reached TC - CH3_TC	52	Automatic Processor Clock Speed	
Channel 3 Mask - CH3_MA	53	Switching	36
Channel 5 DMA Clock - CH5_CLK	41	CPUCLK Clock Source - SRC	36
Channel 6 DMA Clock - CH6_CLK	41	CPUCLK Clock Speed - CLK_SPD	36
Channel 7 DMA Clock - CH7_CLK	42	Stop CPUCLK at Next Halt And Hold -	
Channel Enable, DMA #1	8	SCHH	38
Channel Enable, DMA #2	8	Stop CPUCLK at Next Hold - SCH	38
Channel Number Requested - CH#	52, 53	Stop Grant Divide by 4 - SGD4	37
CLK14	6, 15, 33	CSUDE	39
CLK32K	33, 103	Cyrix	116
CLK_SPD	34, 36	Cyrix Mode	40
CLKTEST	17, 31		
Clock Select - 1X/2X	43	<b>D</b>	
Clock Speed Change Delay Enable - CSCDE	39	D Address Range - DA18:16	43
Clock Start-Up Delay Enable - CSUDE	84	DACKEN	44
<i>Clock Stop/Speed Control Register -</i>		Data Contention	66
<i>Port 8C72H</i>		Decoding 10-bit Mode	63
3 Volt Buffer - 3VBUFF	39	Decoding 16-bit Mode	63
3 Volt Core - 3VCORE	39	Delay Counter Value - DELAY	129
80486SX/DX Mode - MODE486	39	Delay Freeze - DL	129
AT Bus Pullup Enable - ATPUEN	40	<i>Delay Line Diagnostic Register - Port A072H</i>	
Clock Speed Change Delay Enable -		Delay Counter Value - DELAY	129
CSCDE	39	Delay Freeze - DL	129
Enable Stop Clock Handshake - ENSCK	40	Latch Output Strength - LAT	128
External Coprocessor - EXCOP	39	Device - DEV	102
IRQ1 Alternate IRQ1 Source - IR1AL	40	DFS_REQ	31
IRQ1 Select - IR1SL	40	Diagnostic Function/Speaker Disable - DIAG	128
IRQ12 Alternate IRQ12 Source - IR12AL	40	<i>Diagnostic Register - Port 9872H</i>	
IRQ12 Select - IR12SL	40	Automatic Gate A20 - AUT_A20	128
SMI Fast Handler Execution - SMIFST	40	Bus Master Refresh - REF_MAS	128
Stop Clock Control Function Select -		Clock Switch - CLK_SW	128
SCK(1:0)	40	Clock Test - CLK_TST	127
SX Mode - SXM	39	Core Strength Control - CSC(1:0)	127
Clock Switch - CLK_SW	128	Diagnostic Function/Speaker Disable -	
Clock Test - CLK_TST	127	DIAG	128
Clock Test - CLKTEST	43		

IBM_2X . . . . .	127	Fast Write - FAST_WR . . . . .	78
Low Power Mode - LP . . . . .	128	MUX to CAS Delay - MCD . . . . .	78
<i>Diagnostic Register - Port 9872H</i>		RAS Timeout - RAS_TO . . . . .	78
Diagnostic Signal - DS . . . . .	128	Standard or Burst Refresh - STBU_REF	78
Disable I/O Channel Check - D_IOC . . . . .	65		
Disable Non-Maskable Interrupt - D_NMI . . . . .	64	<b>E</b>	
Disable Parity Error Check - D_PE . . . . .	65	E Address Range - EA18:16 . . . . .	43
Disable Privy Register - Port 0F9H . . . . .	197	EA . . . . .	101
DLT6:DLT0 . . . . .	130	Early Write Mode . . . . .	67
DMA 1 Mode . . . . .	55	EI . . . . .	101
DMA 2 Mode . . . . .	55	Enable 16-bit I/O Decoding - EN_16 . . . . .	88
<i>DMA Mode Shadow Register - Port B872H</i>		Enable Level - EN_LVL . . . . .	130
DMA 1 Mode . . . . .	55	Enable Local Request - EN_LCL . . . . .	99
DMA 2 Mode . . . . .	55	Enable PMC Update - PMC_UPD . . . . .	99
<i>DMA Shadow Register 1 - Port 3C72H</i>		Enable Programmable Chip Select -	
Address Decrement 0 - AD_DEC0 . . . . .	109	EN_PCS1 . . . . .	87
Address Decrement 1 - AD_DEC1 . . . . .	109	Enable Programmable Chip Select 2 -	
Address Decrement 2 - AD_DEC2 . . . . .	108	ENP_CS2 . . . . .	124
Autoinitialize 0 - AUTO0 . . . . .	109	Enable Programmable Chip Select 3 -	
Autoinitialize 1 - AUTO1 . . . . .	109	ENPCS3 . . . . .	125
Autoinitialize 2 - AUTO2 . . . . .	108	Enable Privy Register - 0FBH . . . . .	197
Transfer Mode 0 - TRA_MOD0 . . . . .	109	Enable Pulldown - EN_PLD . . . . .	129
Transfer Mode 1 - TRA_MOD1 . . . . .	109	Enable Speaker - ENSPK . . . . .	65
Transfer Type 0 - TRA_TYP0 . . . . .	109	Enable Stop Clock Handshake - ENSCK . . . . .	40
Transfer Type 1 - TRA_TYP1 . . . . .	109	End of Interrupt - EOI_CONT . . . . .	59
Transfer Type 2 - TRA_TYP2 . . . . .	108	Enhanced AutoFast Activity Detection Logic . . . . .	33
<i>DMA Shadow Register 2 - Port 4472H</i>		<i>Enhanced DMA Clock Register - Port B472H</i>	
Address Decrement 3 - AD_DEC3 . . . . .	109	Channel 7 DMA Clock - CH7_CLK . . . . .	42
Address Decrement 5 - AD_DEC5 . . . . .	109	Stop DMA CLOCK - S_DCLK . . . . .	42
Autoinitialize 3 - AUTO3 . . . . .	109	<i>Enhanced DMA Clock Register - Port BC72H</i>	
Autoinitialize 5 - AUTO5 . . . . .	109	Channel 5 DMA Clock - CH5_CLK . . . . .	41
Transfer Mode 2 - TRA_MOD2 . . . . .	109	Channel 6 DMA Clock - CH6_CLK . . . . .	41
Transfer Mode 3 - TRA_MOD3 . . . . .	109	Interrupt Disable - INT_DIS . . . . .	41
Transfer Mode 5 - TRA_MOD5 . . . . .	109	Interrupt Status - INT_ST . . . . .	41
Transfer Type 3 - TRA_TYP3 . . . . .	109	Slow Refresh - S_REF . . . . .	41
Transfer Type 5 - TRA_TYP5 . . . . .	109	Stop Request Latch Enable - SRLE . . . . .	41
Transfer Type 6 - TRA_TYP6 . . . . .	109	EXBUSY . . . . .	131
<i>DMA Shadow Register 3 - Port 4C72H</i>		EXCOP . . . . .	17, 31
Address Decrement 6 - AD_DEC6 . . . . .	110	Extended Write - EX_WR . . . . .	52, 110
Address Decrement 7 - AD_DEC7 . . . . .	110	External Coprocessor - EXCOP . . . . .	39
Autoinitialize 6 - AUTO6 . . . . .	110		
Autoinitialize 7 - AUTO7 . . . . .	110	<b>F</b>	
Controller Disable - CO_DIS . . . . .	110	Fast A20 Gate Control Register -	
Extended Write - EX_WR . . . . .	110	Port 0EEH . . . . .	198
Rotating Priority - RO_PRI . . . . .	110	Fast CPU Reset Control Register -	
Shadow Control Bit - SCB . . . . .	110	Port 0EFH . . . . .	198
Transfer Mode 6 - TRA_MOD6 . . . . .	110	Fast Page Mode DRAMs . . . . .	66
Transfer Mode 7 - TRA_MOD7 . . . . .	110	Fast Read - FAST_RD . . . . .	78
Transfer Type 7 - TRA_TYP7 . . . . .	110	Fast SCSI - FST_SCSI . . . . .	87
Double Word Interleave . . . . .	66	Fast VGA Video - FST_VGA . . . . .	87
DRAM Driver Strength - DRAM_DRV . . . . .	129	Fast Write - FAST_WR . . . . .	78
<i>DRAM Mode Register - Port 198H</i>		Floppy Disk Chip Select 08H:0BH - DS_FLP . . . . .	89
Banks 0 and 1 Interleave - INTLV 0 1 . . . . .	78	FLUSH . . . . .	116
Banks 2 and 3 Interleave - INTLV 2 3 . . . . .	78		
Fast Read - FAST_RD . . . . .	78		





Force SMI - F\_SMI . . . . . 118  
 FPD . . . . . 85  
 Full Power Down - FPD . . . . . 46  
 Full Tristate Mode . . . . . 127

**G**

Gate for Timer Channel 2 - TMR2G . . . . . 65  
*General Purpose I/O Write Shadow Register - Port 3872H*  
 General Purpose Register Write Data Shadow - GPW\_D(15:0) . . . . . 132  
 General Purpose Register Write Data Shadow - GPW\_D(15:0) . . . . . 132  
*General Purpose I/O Control Register - Port 9472H*  
 General Purpose Register I/O Address - GPR\_A(15:2) . . . . . 131  
 General Purpose Register Enable - GPR\_EN . . . . . 131  
 General Purpose Register Pullup Resistor - GPR\_PUR . . . . . 131  
 General Purpose Register I/O Address - GPR\_A(15:2) . . . . . 131  
 General Purpose Register Enable - GPR\_EN . . . . . 131  
 General Purpose Register Pullup Resistor - GPR\_PUR . . . . . 131  
 GPREGRD . . . . . 31, 131  
 GPREGWR . . . . . 31, 131, 132

**H**

Hard Disk Chip Select 0CH, 0DH - DS\_HD . . . . . 89  
 Hard Disk Data Port Mask - HDDM . . . . . 107  
 High Speed Hard Disk Data Transfer Rate - HS\_HD . . . . . 88  
 HOLD Cycle . . . . . 40  
 Holdoff SMI When Reset Pending Disable - HSRPD . . . . . 84  
 HOLDR . . . . . 94  
 Host Reset - HOT\_RST . . . . . 65

**I**

I/O Decoding 10-bit Mode . . . . . 63  
 I/O Decoding 16-bit Mode . . . . . 63  
 I/O Pin Mapping Mode . . . . . 127, 193  
 I/O Timeout Counter Test Mode - IOTCTM . . . . . 121  
 I/O Write Status - IOWS . . . . . 117  
 IBM 2X Clock Control Mode . . . . . 39  
 IBM Mode . . . . . 39, 40  
 IBM I/O Trap Mode - IBMIOT . . . . . 115, 224  
 IBM\_2X . . . . . 127

*ICW 1 Register - Port 020H, 0A0H*  
 Not Cascade Mode - N\_C\_M . . . . . 57  
 Start Sequence - S\_S . . . . . 57  
*ICW1 Register - Port 020H, 0A0H*  
 Initialization Control Word 4 - ICW4 . . . . . 57  
 Level Trigger - L\_T . . . . . 57  
*ICW2 Register - Port 021H, 0A1H*  
 Interrupt Vector . . . . . 58  
*ICW3 Register - Port 021H*  
 Interrupt 2 Has Slave - I2\_H\_L . . . . . 58  
 Slave ID . . . . . 58  
*ICW4 Register - Port 021H, 0A1H*  
 Auto End of Interrupt - AUT\_EOI . . . . . 58  
 Special Fully Nested Mode - SFNM . . . . . 58  
 Inactivity Detect - INDET . . . . . 104  
 Initialization Control Word 4 - ICW4 . . . . . 57  
 Intel Mode . . . . . 40, 79  
 Intel SMI - INT\_SMI . . . . . 116  
 Intel Stop Clock Mode . . . . . 41  
 Interrupt Request and Interrupt Service - IRR\_ISR . . . . . 60  
 Interleave Mode Off  
 Early Write Mode . . . . . 67  
 Page Mode DRAMs . . . . . 66  
 Static Column DRAMs . . . . . 66  
 Interleave Mode On  
 EFS Register 198H . . . . . 66  
 Fast Page Mode DRAMs . . . . . 66  
 Interrupt 0 Mask . . . . . 59  
 Interrupt 1 Mask . . . . . 59  
 Interrupt 2 Has Slave - I2\_H\_L . . . . . 58  
 Interrupt 2 Mask . . . . . 59  
 Interrupt 3 Mask . . . . . 59  
 Interrupt 4 Mask . . . . . 59  
 Interrupt 5 Mask . . . . . 59  
 Interrupt 6 Mask . . . . . 59  
 Interrupt 7 Mask . . . . . 59  
*Interrupt Controller Shadow Register - Port D472H*  
 Activity Monitor Timeout - AMTOUT . . . . . 102  
 Auto End of Interrupt - AUT\_EOI . . . . . 102  
 Device - DEV . . . . . 102  
 Master Interrupt Vector Bit 7 - TM7 . . . . . 102  
 Priority Level Master - PLM2:PLM0 . . . . . 102  
 Priority Level Slave - PLS2:PLS0 . . . . . 103  
 Rotate Auto End of Interrupt - RA\_EOI . . . . . 102  
 Slave Interrupt Vector Bit 7 - TS7 . . . . . 102  
 Special Fully Nested Mode - SFNM . . . . . 102  
 Special Mask Mode Master - SMMM . . . . . 103  
 Special Mask Mode Slave - SMMS . . . . . 103  
 Interrupt Disable - INT\_DIS . . . . . 41  
 Interrupt Level - INT\_LEV . . . . . 59  
 Interrupt Mask Select - IMS1:0 . . . . . 107  
 Interrupt Request - INTRQ . . . . . 103  
 Interrupt Request Register 0 Mask - IRR0M . . . . . 108



Interrupt Request Register 7 Mask - IRR7M	. 108	Lower Address Bits Masked - L_MSK1	. . . . . 88
Interrupt Request Register 8 Mask - IRR8M	. 107	LOWMEG	. . . . . 31
Interrupt Request Register Activity E - IRRAE	. 104	<b>M</b>	
Interrupt Service Register 7 Mask - ISR7M	. 108	<i>Mask Multiple Register - Port 00FH, 0DEH</i>	
Interrupt Service Register 8 Mask - ISR8M	. 108	Channel 0 Mask - CH0_MA	. . . . . 53
Interrupt Status - INT_ST	. . . . . 41	Channel 1 Mask - CH1_MA	. . . . . 53
Interrupt Vector	. . . . . 58	Channel 2 Mask - CH2_MA	. . . . . 53
INTRQ	. . . . . 94	Channel 3 Mask - CH3_MA	. . . . . 53
IOR	. . . . . 49, 50	MASTER	. . . . . 49, 127
IOW	. . . . . 49, 50	Master Interrupt Vector Bit 7 - TM7	. . . . . 102
IRQ1	. . . . . 38	Medium and Slow - MED, SLOW	. . . . . 130
IRQ1 Alternate IRQ1 Source - IR1AL	. . . . . 40	Memory Address - MA(25:20)	. . . . . 72, 73
IRQ1 Select - IR1SL	. . . . . 40	Memory Refresh Power Down Mode - M_REF	. 85
IRQ12	. . . . . 38	<i>Memory Shadow Control Register 1 - Port 1AAH</i>	
IRQ12 Alternate IRQ12 Source - IR12AL	. . . . . 40	Region A - A	. . . . . 74
IRQ12 Select - IR12SL	. . . . . 40	Region B - B	. . . . . 74
IRQ9 Enable - IRQ9EN	. . . . . 129	Region C0 - C0	. . . . . 74
IRQSET0	. . . . . 44	Region C8 - C8	. . . . . 74
IRQSET1	. . . . . 44	<i>Memory Shadow Control Register 2 - Port 1A9H</i>	
<b>K</b>		BIOS ROM Space - ROM SP	. . . . . 75
Keyboard Controller Location - KC_L	. . . . . 83	Region D - D	. . . . . 75
<b>L</b>		Region E - E	. . . . . 75
Latch Output Strength - LAT	. . . . . 128	Region F - F	. . . . . 75
LBCLK	. . . . . 33	MEMR	. . . . . 49, 50, 127
LCD Time Out - LCD_TIMEOUT	. . . . . 98	MEMW	. . . . . 49, 50, 127
LCL_ACK	. . . . . 95	<i>Mode Register - Port 00BH, 0D6H</i>	
LCL_ATN	. . . . . 94, 112, 122, 123	Address Decrement - AD_DEC	. . . . . 54
LCL_REQ	. . . . . 95	Autoinitialize - AUTO	. . . . . 54
LDS32	. . . . . 6	Channel Select - CHA#_SEL	. . . . . 54
Level Trigger - L_T	. . . . . 57	Transfer Mode - TRA_MOD	. . . . . 54
<i>Lock Pass, Alternate A20G and Hot Reset</i>		Transfer Type - TRA_TYP	. . . . . 54
<i>Register - Port 092H, 0092H</i>		MODE486	. . . . . 6, 16, 30
Alternate A20 Gate - ALT_A20G	. . . . . 65	MOUSE.COM	. . . . . 93
Host Reset - HOT_RST	. . . . . 65	MUX to CAS Delay - MCD	. . . . . 78
LOCK_PASS	. . . . . 64	MXCTL(2:0)	. . . . . 44
Local Attention Enable - EA7:EA2	. . . . . 100	<b>N</b>	
Local Attention Enable - LAEN	. . . . . 115	NMI	. . . . . 94
Local Attention Flags - AF7:AF2	. . . . . 99	<i>NMI Status Register - Port 9072H</i>	
Local Bus	. . . . . 6	Non-Maskable Interrupt Flags 7:2 -	
<i>Lock Status Register - Port FC72H</i>	. . . . . 8	IF7:IF2	. . . . . 101
Channel Enable, DMA #2	. . . . . 8	No DMA - NO_DMA	. . . . . 103
Channel Enable, DMA1	. . . . . 8	Non-Maskable Interrupt Enable 7:2 - EI7:EI2	. 100
Parallel Port Direction, P	. . . . . 8	Non-Maskable Interrupt Mask - NMIM	. . . 107
Toggle, T	. . . . . 8	Not Cascade Mode - N_C_M	. . . . . 57
Lock/Unlock	. . . . . 95	NPBUSY	. . . . . 131
<i>Lock/Unlock Register - Port F073H</i>		<i>Numeric Processor Busy, Bus Timing, and</i>	
Lock/Unlock, L/UL	. . . . . 8	<i>Power Down Register - Port 1872H</i>	
Lock/Unlock, L/UL	. . . . . 8	Bus Acknowledge Delay - BAK_DEL	. . . 47
LOCK_PASS	. . . . . 64, 89	Bus Mode - BUS_MOD	. . . . . 47
Low Power Mode - LP	. . . . . 128	Bus Request Delay - BRQ_DEL	. . . . . 47
		Full Power Down - FPD	. . . . . 46



Processor Power Down - PRO\_PD . . . 46  
 Wait State for 16 Bit I/O - WSI16 . . . 47  
 Wait State for 16 Bit Memory - WSM16 . . . 48  
 Wait State for 8 Bit I/O - WSI8 . . . 48  
 Wait State for 8 Bit Memory - WSM8 . . . 48

**O**

*OCW1 Register - Port 021H, 0A1H*  
 Interrupt 0 Mask . . . . . 59  
 Interrupt 1 Mask . . . . . 59  
 Interrupt 3 Mask . . . . . 59  
 Interrupt 4 Mask . . . . . 59  
 Interrupt 5 Mask . . . . . 59  
 Interrupt 6 Mask . . . . . 59  
 Interrupt 7 Mask . . . . . 59  
*OCW1 Register Port 021H, 0A1H*  
 Interrupt 2 Mask . . . . . 59  
*OCW2 Register - Port 020H, 0A0H*  
 End of Interrupt - EOI\_CONT . . . . . 59  
 Interrupt Level - INT\_LEV . . . . . 59  
*OCW3 Register - Port 020H, 0A0H*  
 Interrupt Request and Interrupt Service -  
 IRR\_ISR . . . . . 60  
 Poll Command - P\_C . . . . . 60  
 Special Mask Mode - SMM . . . . . 60  
 OLD\_HLDA . . . . . 129  
 Out From Timer Channel 2 - OUT2 . . . . . 65

**P**

Page Mode . . . . . 66  
 Page Mode DRAMs . . . . . 66  
 Parallel Port Bus Location - PAR\_L . . . . . 86  
 Parallel Port Chip Select Activity Detect  
 Status - PAR\_ADS . . . . . 118  
 Parallel Port Chip Select - PAR . . . . . 86  
 Parallel Port Chip Select Timeout Clock  
 Select - PAR\_TCS . . . . . 122  
 Parallel Port Chip Select Timeout Count -  
 PAR\_TC4:0 . . . . . 121  
 Parallel Port Chip Select Timeout Enable -  
 PAR\_TOE . . . . . 119  
 Parallel Port Chip Select Timeout Status -  
 PAR\_TOS . . . . . 119  
 Parallel Port Chip Select Trap Enable -  
 PAR\_TPE . . . . . 116  
 Parallel Port Direction, P . . . . . 8  
 Parallel Port Register 0 - PP\_0 . . . . . 101  
 Parallel Port Register 2 - PP\_2 . . . . . 101  
 Parallel Port Trap Status - PAR\_TPS . . . . . 117  
 Parity Check - PAR\_CHE . . . . . 78  
 Parity Error - PE . . . . . 65  
 PDREF . . . . . 85, 112, 113  
 Phase 2 SMI Select - PH2\_SEL . . . . . 116

PMC . . . . . 112, 113  
 PMC Input Register . . . . . 101  
 PMC Inputs 7:0 - IN7:IN0 . . . . . 99  
*PMC Inputs Register - Port 8872H*  
 Enable Local Request - EN\_LCL . . . . . 99  
 Enable PMC Update - PMC\_UPD . . . . . 99  
 Local Attention Flags - AF7:AF2 . . . . . 99  
 PMC Inputs 7:0 - IN7:IN0 . . . . . 99  
 PMC Interrupt Enable Register . . . . . 101  
*PMC Interrupt Enable Register - Port C872H*  
 Local Attention Enable - EA7:EA2 . . . . . 100  
 Non-Maskable Interrupt Enable 7:2 -  
 EI7:EI3 . . . . . 100  
 PMC Output Control Register . . . . . 98  
*PMC Timers Register - Port 8072H*  
 Backlight Time Out - BL\_TIMEOUT . . . . . 98  
 LCD Time Out - LCD\_TIMEOUT . . . . . 98  
 PMC updates . . . . . 115  
 PMCI2N 2 . . . . . 95  
 Poll Command - P\_C . . . . . 60  
 Port B access 10-bit Mode . . . . . 65  
 Port B access 16-bit Mode . . . . . 65  
 Port 0061H . . . . . 103  
 Port 0070H . . . . . 103  
 Port 008H . . . . . 110  
 Port 00BH . . . . . 109  
 Port 020H . . . . . 104, 130  
 Port 040H . . . . . 110  
 Port 041H . . . . . 38  
 Port 043H . . . . . 110  
 Port 092H . . . . . 89, 128  
 Port 0A0H . . . . . 104  
 Port 0D0H . . . . . 110  
 Port 0D6H . . . . . 110  
 Port 1072H . . . . . 33, 34, 39, 40, 83, 84  
 Port 1872H . . . . . 33, 44, 94, 112  
 Port 190H:19FH . . . . . 70  
 Port 1A0H:1AFH . . . . . 70  
 Port 2072H . . . . . 38, 46, 91, 116  
 Port 2872H . . . . . 91, 107, 116  
 Port 3072H . . . . . 87, 116  
 Port 3872H . . . . . 131  
 Port 4872H . . . . . 70  
 Port 5072H . . . . . 70  
 Port 5C72H . . . . . 91, 116, 123  
 Port 60H . . . . . 84  
 Port 6472H . . . . . 116, 125  
 Port 64H . . . . . 84  
 Port 6C72H . . . . . 123, 125  
 Port 700H . . . . . 70  
 Port 7072H . . . . . 46, 98, 99, 128  
*Port 70H Shadow Register - Port E472H*  
 CLK32K . . . . . 103  
 Interrupt Request - INTRQ . . . . . 103  
 No DMA - NO\_DMA . . . . . 103



Refresh Detect - REF_DET . . . . .	103	Programmable Chip Select 2 Activity Detect Status - PC2_ADS . . . . .	118
Time of Day Update Needed - TODUN . . . . .	103	Programmable Chip Select 2 Timeout Clock Select - PC2_TCS . . . . .	121
Port 7472H . . . . .	39, 98	Programmable Chip Select 2 Timeout Count - PC2_TC4:0 . . . . .	120
Port 74H . . . . .	70	Programmable Chip Select 2 Timeout Enable - PC2_TOE . . . . .	119
Port 75H . . . . .	70	Programmable Chip Select 2 Timeout Status - PC2_TOS . . . . .	119
Port 7872H . . . . .	99	Programmable Chip Select 3 Timeout Clock Select - PC3_TCS . . . . .	124
Port 7C72H . . . . .	100	Programmable CS3 Lower Address Bits Mask - 3LMSK4:0 . . . . .	125
Port 8072H . . . . .	83	Programmable Chip Select 1 Mask - PCS_1M . . . . .	106
Port 8872H . . . . .	46, 95, 100, 101, 107, 115	Programmable Chip Select 1 Trap Enable - PC1_TPE . . . . .	116
Port 8C72H . . . . .	30, 84	Programmable Chip Select 1 Trap Status - PC1_TPS . . . . .	117
Port 9072H . . . . .	94	Programmable Chip Select 2 Address - PC2A15:00 . . . . .	125
Port 9872H . . . . .	39	Programmable Chip Select 2 Location - PCS_2L . . . . .	124
Port A472H . . . . .	121	Programmable Chip Select 2 Mask - PCS_2M . . . . .	123
Port A872H . . . . .	94	Programmable Chip Select 2 Trap Enable - PC2_TPE . . . . .	116
Port AC72H . . . . .	120	Programmable Chip Select 2 Trap Status - PC2_TPS . . . . .	117
<i>Port B Register - Port 061H:06FH, 0061H</i>		Programmable Chip Select 3 Activity Detect Status - PC3_ADS . . . . .	123
Disable I/O Cannel Check - D_IOC . . . . .	65	Programmable Chip Select 3 Address - PC3A15:00 . . . . .	126
Disable Parity Error Check - D_PE . . . . .	65	Programmable Chip Select 3 Location - PCS_3L . . . . .	125
Enable Speaker - ENSPK . . . . .	65	Programmable Chip Select 3 Mask - PCS_3M . . . . .	123
Gate for Timer Channel 2 - TMR2G . . . . .	65	Programmable Chip Select 3 Timeout Count - PC3_TC4:0 . . . . .	124
I/O Channel Check From Expansion Bus - IOCK . . . . .	65	Programmable Chip Select 3 Timeout Enable - PC3_TOE . . . . .	123
Out From Timer Channel 2 - OUT2 . . . . .	65	Programmable Chip Select 3 Timeout Status - PC3_TOS . . . . .	123
Parity Error - PE . . . . .	65	Programmable Chip Select 3 Trap Enable - PC3_TPE . . . . .	123
Refresh Detect - REF_DT . . . . .	65	Programmable Chip Select 3 Trap Status - PC3_TPS . . . . .	117
Port B072H . . . . .	93, 94, 106, 108, 115	Programmable Chip Select Bus Location - PRG_L . . . . .	88
Port C072H . . . . .	30, 38	<i>Programmable CS2 Address Register - Port 6472H</i>	
Port C872H . . . . .	99, 101, 107, 115	Programmable Chip Select 2 Address - PC2A15:00 . . . . .	125
Port D872H . . . . .	94, 99, 115, 123		
Port E472H . . . . .	33		
Port F072H . . . . .	95, 112		
Power Down State . . . . .	7		
Power Management Control Input Level Select - PMCILS . . . . .	107		
Power Management Control Input Select - PMCIS(2:0) . . . . .	107		
Power Management . . . . .	2		
Power Management Control (PMC) . . . . .	2, 7		
Prevent Locking Password - LK_PSW . . . . .	89		
Primary or Secondary Disk - P/S . . . . .	88		
Priority Level Master - PLM2:PLMO . . . . .	102		
Priority Level Slave - PLS2:PLS0 . . . . .	103		
Programmable CS2 Lower Address Bits MASK4:0 - 2LMSK4:0 . . . . .	125		
Processor Power Down - PRO_PD . . . . .	46		
Programmable Chip Select 1 Activity Detect Status - PC1_ADS . . . . .	118		
Programmable Chip Select 1 Timeout Clock Select - PC1_TCS . . . . .	121		
Programmable Chip Select 1 Timeout Count - PC1_TC4:0 . . . . .	120		
Programmable Chip Select 1 Timeout Enable - PC1_TOE . . . . .	119		
Programmable Chip Select 1 Timeout Status - PC1_TOS . . . . .	118		



*Programmable CS2 and CS3 Control Register - Port 5C72H*

- Enable Programmable Chip Select 2 - ENP\_CS2 . . . . . 124
- Enable Programmable Chip Select 3 - ENCPS3 . . . . . 125
- Programmable CS2 Lower Address Bits MASK4:0 - 2LMSK4:0 . . . . . 125
- Programmable CS3 Lower Address Bits Mask - 3LMSK4:0 . . . . . 125
- Programmable Chip Select 2 Location - PCS\_2L . . . . . 124
- Programmable Chip Select 3 Location - PCS\_3L . . . . . 125
- Upper Address Bits Mask 2 - UMSK2 . . . . . 124
- Upper Address Bits Mask 3 - UMSK3 . . . . . 125

*Programmable CS3 Address Register - Port 6C72H*

- Programmable Chip Select 3 Address - PC3A15:00 . . . . . 126
- Pullup and Pulldown Test Mode . . . . . 127
- Pullup Resistors on AT Data Bus . . . . . 38

**R**

- RAS Precharge - RAS\_PC . . . . . 80
- RAS Precharge - RAS\_PC . . . . . 81
- RAS Pulse Width - RAS\_PW . . . . . 79 - 81
- RAS Timeout - RAS\_TO . . . . . 78
- RAS Timeout . . . . . 70
- RDY486 . . . . . 94
- RDYIN . . . . . 6
- Real-Time Clock - RTC\_L . . . . . 87
- Real-Time Clock Address - RTCA(6:0) . . . . . 64

*Real-Time Clock Address Register - Port 070, 0070*

- Disable Non-Maskable Interrupt - D\_NMI . . . . . 64
- Real-Time Clock Address - RTCA(6:0) . . . . . 64

*Refresh Control Serial and Parallel Chip Select Register - Port 2072H*

- CAS Before RAS Refresh for On-Board DRAM - CBR\_REF . . . . . 85
- Memory Refresh Power Down Mode - M\_REF . . . . . 85
- Parallel Port Bus Location - PAR\_L . . . . . 86
- Parallel Port Chip Select - PAR . . . . . 86
- Serial Port A Bus Location - SER\_AL . . . . . 86
- Serial Port A Chip Select - SER\_A . . . . . 86
- Serial Port B Bus Location - SER\_BL . . . . . 87
- Serial Port B Chip Select - SER\_B . . . . . 86
- Small Computer System Interface Chip Select - SCSI . . . . . 86
- Video Refresh Power Down Mode - V\_REF . . . . . 85

REFRESH . . . . . 50, 112, 127

- Refresh Control Register . . . . . 38
- Refresh Detect - REF\_DET . . . . . 103
- Refresh Detect - REF\_DT . . . . . 65
- Refresh Timer . . . . . 38
- Region A - A . . . . . 74
- Region B - B . . . . . 74
- Region C0 - C0 . . . . . 74
- Region C8 - C8 . . . . . 74
- Region D - D . . . . . 75
- Region E - E . . . . . 75
- Region F - F . . . . . 75

*Register File*

- ESF190H Through 1ACH . . . . . 7
- ESF1ACH Through 1AFH . . . . . 7
- Extended Setup Facility (ESF) . . . . . 7
- Lock/Unlock Register . . . . . 7
- Port 4872H . . . . . 7
- Port 5072H . . . . . 7
- Port 70 Shadow Register . . . . . 7
- Port 700H . . . . . 7
- Port 74H . . . . . 7
- Port 75H . . . . . 7
- Port F073H . . . . . 7
- Ports 1072H Through FC72H . . . . . 7

*Request Register - Port 009H, 0D2H*

- Channel Number Requested - CH# . . . . . 52
- Channel Requested - CRQ . . . . . 52
- Responding to a Suspend Request . . . . . 93

ROM AT Bus . . . . . 44

*ROM Bank Selection Register - Port C072H*

- C Address Range - CA18:16 . . . . . 43
- Clock Select - 1X/2X . . . . . 43
- Clock Test - CLKTEST . . . . . 43
- D Address Range - DA18:16 . . . . . 43
- E Address Range - EA18:16 . . . . . 43
- F Address Range - FA18:16 . . . . . 43
- Weitek Mode - WTKMODE . . . . . 43

ROMBA18:16 . . . . . 42

Rotate Auto End of Interrupt - RA\_EOI . . . . . 102

Rotating Priority - RO\_PRI . . . . . 52, 110

- Row Address Bits 01:00 - RA(01:00) . . . . . 72
- Row Address Bits 11:10 - RA(11:10) . . . . . 73
- Row Address Bits 21:20 - RA(21:20) . . . . . 73
- Row Address Bits 31:30 - RA(31:30) . . . . . 73
- Row Address Bits 41:40 - RA(41:40) . . . . . 73

RSTIN . . . . . 30, 127, 193

RTC RAM . . . . . 113

*RTC, PVGA and Disk Chip Selects Register - Port 2872H*

- Enable 16-bit I/O Decoding - EN\_16 . . . . . 88
- Enable Programmable Chip Select 1 - EN\_PCS1 . . . . . 87
- Fast SCSI - FST\_SCSI . . . . . 87
- Fast VGA Video - FST\_VGA . . . . . 87



Floppy Disk Chip Select 08H:0BH - DS\_FLP . . . . . 89  
 Hard Disk Chip Select 0CH, 0DH - DS\_HD . . . . . 89  
 High Speed Hard Disk Data Transfer Rate - HS\_HD . . . . . 88  
 Lower Address Bits Masked - L\_MSK1 . . . . . 88  
 Prevent Locking Password - LK\_PSW . . . . . 89  
 Primary or Secondary Disk - P/S . . . . . 88  
 Programmable Chip Select Bus Location - PRG\_L . . . . . 88  
 Real-Time Clock - RTC\_L . . . . . 87  
 Upper Address Bits Masked - U\_MSK1 . . . . . 88

Serial Port B Bus Location - SER\_BL . . . . . 87  
*Serial/Parallel Shadow Register - Port D072H*  
 Parallel Port Register 0 - PP\_0 . . . . . 101  
 Parallel Port Register 2 - PP\_2 . . . . . 101  
 Serial Port A Register 2 - SP\_A . . . . . 101  
 Serial Port B Register 2 - SP\_B . . . . . 101  
 Set Mask - SE\_MA . . . . . 53  
 The seven regions are identified as: . . . . . 74  
 Shadow Control Bit - SCB . . . . . 110  
*Single Mask Register - Port 00AH, 0D4H*  
 Channel Number Requested - CH# . . . . . 53  
 Set Mask - SE\_MA . . . . . 53  
 Slave ID . . . . . 58  
 Slave Interrupt Vector Bit 7 - TS7 . . . . . 102  
 Sleep Mode . . . . . 117  
 Slow Refresh - S\_REF . . . . . 41  
 Slowing the Processor Execution . . . . . 34  
 Small Computer System Interface Chip  
 Select - SCSI . . . . . 86  
 SMEMR . . . . . 31  
 SMEMW . . . . . 31  
 SMI . . . . . 38, 94, 112, 115, 116, 122  
 SMI Address Translation - SMI\_ADTR . . . . . 79  
*SMI Auxiliary Control Register - Port 5472H*  
 Programmable Chip Select 3 Timeout Clock Select - PC3\_TCS . . . . . 124  
 Programmable Chip Select 2 Mask - PCS\_2M . . . . . 123  
 Programmable Chip Select 3 Activity Detect Status - PC3\_ADS . . . . . 123  
 Programmable Chip Select 3 Mask - PCS\_3M . . . . . 123  
 Programmable Chip Select 3 Timeout Count - PC3\_TC4:0 . . . . . 124  
 Programmable Chip Select 3 Timeout Enable - PC3\_TOE . . . . . 123  
 Programmable Chip Select 3 Timeout Status - PC3\_TOS . . . . . 123  
 Programmable Chip Select 3 Trap Enable - PC3\_TPE . . . . . 123  
 Timeout Mask - TO\_MSK . . . . . 122  
 Watchdog Timer Interrupt Enable - WDOGEN . . . . . 122  
 Watchdog Timer Interrupt Status - WDOGST . . . . . 123  
 SMI Fast Handler Execution - SMIFST . . . . . 40  
*SMI I/O Timeout Control Register - Port 9C72H*  
 Force SMI F\_SMI . . . . . 118  
 Parallel Port Chip Select Activity Detect Status - PAR\_ADS . . . . . 118  
 Parallel Port Chip Select Timeout Enable - PAR\_TOE . . . . . 119  
 Parallel Port Chip Select Timeout Status - PAR\_TOS . . . . . 119

**S**

SCH . . . . . 36, 39, 40  
 SCHH . . . . . 36, 39, 40  
 SCK(1:0) . . . . . 39  
 Scratch Pad A - SPA(15:00) . . . . . 132  
*Scratch Pad A Register - Port C472H*  
 Scratch Pad A - SPA(15:00) . . . . . 132  
 Scratch Pad B - SPB(15:00) . . . . . 132  
*Scratch Pad B Register - Port CC72H*  
 Scratch Pad B - SPB(15:00) . . . . . 132  
 Serial Port A Bus Location - SER\_AL . . . . . 86  
 Serial Port A Chip Select Activity Detect Status - SPA\_ADS . . . . . 118  
 Serial Port A Chip Select - SER\_A . . . . . 86  
 Serial Port A Chip Select Timeout Clock Select - SPA\_TCS . . . . . 122  
 Serial Port A Chip Select Timeout Count - SPA\_TC4:0 . . . . . 120  
 Serial Port A Chip Select Timeout Enable - SPA\_TOE . . . . . 119  
 Serial Port A Chip Select Timeout Status - SPA\_TOS . . . . . 119  
 Serial Port A Chip Select Trap Enable - SPA\_TPE . . . . . 116  
 Serial Port A Register 2 - SP\_A . . . . . 101  
 Serial Port A Trap Status - SPA\_TPS . . . . . 117  
 Serial Port B Chip Select Activity Detect Status - SPB\_ADS . . . . . 118  
 Serial Port B Chip Select - SER\_B . . . . . 86  
 Serial Port B Chip Select Timeout Clock Select - SPB\_TCS . . . . . 122  
 Serial Port B Chip Select Timeout Count - SPB\_TC4:0 . . . . . 121  
 Serial Port B Chip Select Timeout Enable - SPB\_TOE . . . . . 119  
 Serial Port B Chip Select Timeout Status - SPB\_TOS . . . . . 119  
 Serial Port B Chip Select Trap Enable - SPB\_TPE . . . . . 116  
 Serial Port B Register 2 - SP\_B . . . . . 101



Programmable Chip Select 1 Activity Detect Status - PC1_ADS . . . . .	118	Parallel Port Chip Select Trap Enable - PAR_TPE . . . . .	116
Programmable Chip Select 1 Timeout Enable - PC1_TOE . . . . .	119	Parallel Port Status - PAR_TPS . . . . .	117
Programmable Chip Select 1 Timeout Status - PC1_TOS . . . . .	118	Phase 2 SMI Select - PH2_SEL . . . . .	116
Programmable Chip Select 2 Activity Detect Status - PC2_ADS . . . . .	118	Programmable Chip Select 1 Trap Status - PC1_TPS . . . . .	117
Programmable Chip Select 2 Timeout Enable - PC2_TOE . . . . .	119	Programmable Chip Select 2 Trap Enable - PC2_TPE . . . . .	116
Programmable Chip Select 2 Timeout Status - PC2_TOS . . . . .	119	Programmable Chip Select 2 Trap Status - PC2_TPS . . . . .	117
Serial Port A Chip Select Activity Detect Status - SPA_ADS . . . . .	118	Programmable Chip Select 3 Trap Status - PC3_TPS . . . . .	117
Serial Port A Chip Select Timeout Enable - SPA_TOE . . . . .	119	Serial Port A Chip Select Trap Enable - SPA_TPE . . . . .	116
Serial Port A Chip Select Timeout Status - SPA_TOS . . . . .	119	Serial Port A Trap Status - SPA_TPS . . . . .	117
Serial Port B Chip Select Activity Detect Status - SPB_ADS . . . . .	118	Trap Status - TRPS . . . . .	116
Serial Port B Chip Select Timeout Enable - SPB_TOE . . . . .	119	Serial Port B Chip Select Trap Enable - SPB_TPE . . . . .	116
Serial Port B Chip Select Timeout Status - SPB_TOS . . . . .	119	Serial Port B Trap Status - SPB_TPS . . . . .	117
<i>SMI I/O Timeout Count Register 1 - Port A472H</i>		SMI RAM Base Address - SMIBASE(1:0) . . . . .	76
Programmable Chip Select 1 Timeout Count - PC1_TC4:0 . . . . .	120	SMI RAM Enable - SMI_R_ENB . . . . .	84
Programmable Chip Select 2 Timeout Count - PC2_TC4:0 . . . . .	120	SMI RAM Size - SRS(1:0) . . . . .	76
Serial Port A Chip Select Timeout Count - SPA_TC4:0 . . . . .	120	SMI Wake Up Enable - SMI_WUE . . . . .	120
SMI Wake Up Enable - SMI_WUE . . . . .	120	SMIFST . . . . .	84
<i>SMI I/O Timeout Count Register 2 - Port AC72H</i>		SMIRDY . . . . .	116, 127
I/O Timeout Counter Test Mode - IOTCTM . . . . .	121	<i>Split Memory Control and SMI RAM Start Address Register - Port 1ABH</i>	
Parallel Port Chip Select Timeout Clock Select - PAR_TCS . . . . .	122	SMI RAM Base Address - SMIBASE (1:0) . . . . .	76
Parallel Port Chip Select Timeout Count - PAR_TC4:0 . . . . .	121	SMI RAM Size - SRS(1:0) . . . . .	76
Programmable Chip Select 1 Timeout Clock Select - PC1_TCS . . . . .	121	Split Memory at DRAM Region A - SPLTA . . . . .	76
Programmable Chip Select 2 Timeout Clock Select - PC2_TCS . . . . .	121	Split Memory at DRAM Region B - SPLTB . . . . .	76
Serial Port A Chip Select Timeout Clock Select - SPA_TCS . . . . .	122	Split Memory at DRAM Region C - SPLTC . . . . .	76
Serial Port B Chip Select Timeout Clock Select - SPB_TCS . . . . .	122	Split Memory at DRAM Region D - SPLTD . . . . .	76
Serial Port B Chip Select Timeout Count - SPB_TC4:0 . . . . .	121	Special Fully Nested Mode - SFNM . . . . .	58, 102
<i>SMI Trap Control Register - Port 7C72H</i>		Special Mask Mode - SMM . . . . .	60
Programmable Chip Select 1 Trap Enable - PC1_TPE . . . . .	116	Special Mask Mode Master - SMMM . . . . .	103
I/O Write Status - IOWS . . . . .	117	Special Mask Mode Slave - SMMS . . . . .	103
Intel SMI - INT_SMI . . . . .	116	Speedup Activity . . . . .	37
Local Attention Enable - LAEN . . . . .	115	Split Memory at DRAM Region A - SPLTA . . . . .	76
		Split Memory at DRAM Region B - SPLTB . . . . .	76
		Split Memory at DRAM Region C - SPLTC . . . . .	76
		Split Memory at DRAM Region D - SPLTD . . . . .	76
		Standard or Burst Refresh - STBU_REF . . . . .	78
		Start Sequence - S_S . . . . .	57
		Static Column DRAMs . . . . .	66
		Static Column Mode Bank 0 - SCM0 . . . . .	79
		Static Column Mode Bank 1 - SCM1 . . . . .	79
		Static Column Mode Bank 2 - SCM2 . . . . .	79
		Static Column Mode Bank 3 - SCM3 . . . . .	79
		Static Column Mode Bank 4 - SCM4 . . . . .	79



*Static Column or Page Mode Register - Port 1A8H*

Parity Check - PAR\_CHE . . . . . 78  
 SMI Address Translation - SMI\_ADTR . . . . . 79  
 Static Column Mode Bank 0 - SCM0 . . . . . 79  
 Static Column Mode Bank 1 - SCM1 . . . . . 79  
 Static Column Mode Bank 2 - SCM2 . . . . . 79  
 Static Column Mode Bank 3 - SCM3 . . . . . 79  
 Static Column Mode Bank 4 - SCM4 . . . . . 79  
 Write Parity Control - WPC . . . . . 79

*Status Register - Port 008H, 0D0H*

Channel 0 DRQ Active - CH0\_DRQ . . . . . 52  
 Channel 0 Has Reached TC - CH0\_TC . . . . . 52  
 Channel 1 DRQ Active - CH1\_DRQ . . . . . 52  
 Channel 1 Has Reached TC - CH1\_TC . . . . . 52  
 Channel 2 DRQ Active - CH2\_DRQ . . . . . 52  
 Channel 2 Has Reached TC - CH2\_TC . . . . . 52  
 Channel 3 DRQ Active - CH3\_DRQ . . . . . 52  
 Channel 3 Has Reached TC - CH3\_TC . . . . . 52

*Stop Clock Control Function Select - SCK(1:0)*

SCK(1:0) . . . . . 40

*Stop CPUCLK at Next Halt and Hold - SCHH*

SCHH . . . . . 38

*Stop CPUCLK at Next Hold - SCH*

SCH . . . . . 38

*Stop DMA Clock - S\_DCLK*

S\_DCLK . . . . . 42

*Stop Grant AutoFast Enable - SGAE*

SGAE . . . . . 37

*Stop Grant Divide by 4 - SGD4*

SGD4 . . . . . 37

*Stop Request Latch Enable - SRLE*

SRLE . . . . . 41

*STP\_REQ . . . . . 31, 34, 37, 39, 40, 84*

*Strap Options*

1X/2X . . . . . 30, 42  
 3VBUFFER . . . . . 30  
 3VCORE . . . . . 30  
 EXCOP . . . . . 30  
 WTKMODE . . . . . 30, 42  
 CLKTEST . . . . . 30, 42  
 MODE486 . . . . . 30  
 Port 8C72H . . . . . 42  
 SXM . . . . . 30

*SUSP . . . . . 31*

*SX Mode - SXM . . . . . 39*

*SXLOWEN . . . . . 30*

*SXM . . . . . 6, 15, 30*

*SXSWPEN . . . . . 30*

*SYSClk . . . . . 6, 15, 33, 44, 47*

*System Activity . . . . . 93*

*System Activity Monitor (SAM) . . . . . 2*

*System Configuration Register - Port 19FH*

RAS Timeout . . . . . 70

Weitek 4167 Enable - WTKEN . . . . . 70

*System Management Interrupt (SMI) . . . . . 2*

*System Timeout Capability . . . . . 93*

**T**

*Test Delay Line - TDL . . . . . 129*

*Test Enable Register - Port A872H*

BFC3 . . . . . 129  
 BIST3 . . . . . 129  
 DRAM Driver Strength - DRAM\_DRV . . . . . 129  
 Enable Level - EN\_LVL . . . . . 130  
 Enable Pulldown - EN\_PLD . . . . . 129  
 IRQ9 Enable - IRQ9EN . . . . . 129  
 OLD\_HLDA . . . . . 129  
 Test Delay Line - TDL . . . . . 129  
 Version Number . . . . . 129

*Test Status Register - Port DC72H*

BC . . . . . 130  
 BF34:BF30 . . . . . 130  
 Calibration - CAL . . . . . 130  
 DLT6:DLT0 . . . . . 130  
 Medium and Slow - MED, SLOW . . . . . 130

*Time of Day Update Needed - TODUN . . . . . 103*

*Timeout Mask - TO\_MSK . . . . . 122*

*Toggle, T . . . . . 8*

*Transfer Mode - TRA\_MOD . . . . . 54*

*Transfer Mode 0 - TRA\_MOD0 . . . . . 109*

*Transfer Mode 1 - TRA\_MOD1 . . . . . 109*

*Transfer Mode 2 - TRA\_MOD2 . . . . . 109*

*Transfer Mode 3 - TRA\_MOD3 . . . . . 109*

*Transfer Mode 5 - TRA\_MOD5 . . . . . 109*

*Transfer Mode 6 - TRA\_MOD6 . . . . . 110*

*Transfer Mode 7 - TRA\_MOD7 . . . . . 110*

*Transfer Modes*

Block Transfer Mode - 10 . . . . . 49  
 Cascade Mode - 11 . . . . . 49  
 Demand Mode - 00 . . . . . 49  
 Single Transfer Mode - 01 . . . . . 49

*Transfer Type*

Read - 10 . . . . . 49  
 Verify - 00 . . . . . 49  
 Write - 01 . . . . . 49

*Transfer Type - TRA\_TYP . . . . . 54*

*Transfer Type 0 - TRA\_TYP0 . . . . . 109*

*Transfer Type 1 - TRA\_TYP1 . . . . . 109*

*Transfer Type 2 - TRA\_TYP2 . . . . . 108*

*Transfer Type 3 - TRA\_TYP3 . . . . . 109*

*Transfer Type 5 - TRA\_TYP5 . . . . . 109*

*Transfer Type 6 - TRA\_TYP6 . . . . . 109*

*Transfer Type 7 - TRA\_TYP7 . . . . . 110*

*Trap Status - TRPS . . . . . 116*

*TURBO . . . . . 36, 37*

**U**

*Upper Address Bits Mask 2 - UMSK2 . . . . . 124*

*Upper Address Bits Mask 3 - UMSK3 . . . . . 125*





Upper Address Bits Masked - U\_MSK1 . . . 88  
 Using SAM for System Power Management 93

**V**

Version Number . . . . . 129  
 Video Local Bus Interface (VLBI) . . . . . 8  
 Video Refresh Power Down Mode - V\_REF 85  
 Virus Protection Mode . . . . . 70  
 VOH, VOL Test Mode . . . . . 127

**W**

Wait State for 16 Bit Memory - WSM16 . . . 48  
 Wait State for 8 Bit I/O - WSI8 . . . . . 48  
 Watchdog Timer . . . . . 93, 115  
 Watchdog Timer Interrupt Enable -  
 WDOGEN . . . . . 122  
 Watchdog Timer Interrupt Status -  
 WDOGST . . . . . 123  
 Weitek 4167 Enable - WTKEN . . . . . 70  
 Weitek Mode - WTKMODE . . . . . 43  
 WEITEK4267 . . . . . 6  
 Write Parity Control - WPC . . . . . 79  
 WTKIRQ13 . . . . . 31  
 WTKMODE . . . . . 16, 31

