

## 1.0 INTRODUCTION

### 1.1 DOCUMENT SCOPE

This document describes the function and operation of the WD76C10A, WD76C10ALP and WD76C10ALV System Controller devices. It includes the description of external logic necessary for efficient use of these devices. In most instances, the WD76C10A, WD76C10ALP and WD76C10ALV operate similarly and are referred to in this document as the System Controller. Where there are differences, the devices are identified specifically.

### 1.2 FEATURES

Features Common to WD76C10A, WD76C10ALP and WD76C10ALV:

- Operates at speeds of 16 MHz, 20 MHz and 25 MHz.
- Interfaces with 80286 or 80386SX CPUs.
- Supports memory in four banks with 64 Kbit, 256 Kbit, 1 Mbit or 4 Mbit DRAMs.
- Page mode zero wait state access at 25 MHz with 70 ns DRAM.
- Supports up to 16 Mbyte of real memory or 32 Mbyte of EMS memory.
- Maintains controlled propagation delay for 80386SX reset.
- Employs an internal self-tuning delay line for DRAM control.
- Self-adjusting output drivers minimize output rise/fall time variations and reduces EMI and ground noise.
- DRAM address multiplexer drives 350 pF with adjustable strength drivers.
- Main and VGA BIOS may be mapped into one physical PROM.
- Advanced 64 Kbyte and 128 Kbyte ROM shadowing allows main BIOS and video BIOS shadowing, along with 320 Kbyte and 256 Kbyte remap to extended or expanded memory.
- Parity generation and checking.
- Low power 0.9 micron CMOS technology.

- 132-pin JEDEC plastic QUAD flat package (PQFP)

Additional Features Of WD76C10ALP Only:

- System Activity Monitor (SAM).
- Power control with suspend and resume.
- Processor stop clock.
- CAS before RAS slow refresh for portable applications.
- Automatic processor clock speed switching.

Additional Features Of WD76C10ALV Only:

- Internal logic is powered by a 3.3 volt supply to extend battery life up to two times.

5

### 1.3 GENERAL DESCRIPTION

The WD76C10A is designed for use in a high performance desktop AT computer, using an 80286 or 80386SX processor of up to 25 MHz. The WD76C10ALP has the features of the WD76C10A and is designed to operate in a high performance notebook/laptop AT compatible computer using an 80286 or 80386SX processor. With the exception of the 80286 modes, the WD76C10ALV has all the capabilities of the WD76C10ALP plus the ability to operate with a 3.3 volt power supply.

#### 1.3.1 WD76C10A

The WD76C10A contains a high performance memory controller with programmable modes of operation. It supports non-page, zero wait state read and write memory control. A maximum of four banks of 64 Kbit, 256 Kbit, 1 Mbit or 4 Mbit DRAM may be controlled, allowing up to 16 Mbytes of real or 32 Mbytes EMS (Expanded Memory Specification) memory. Any combination of DRAM sizes may be used. In addition, the WD76C10A controls page mode DRAM or static column DRAM with page mode operation.

The on-board memory can be allocated either to extended or EMS memory in 128 Kbyte increments. Forty EMS registers support EMS 4.0 multitasking.

An internal self-tuning delay line is used for DMA and Bus Master memory cycles. Delay line infor-



mation is also used to adjust the strength of the output drivers. This stabilizes the output rise and fall times, reducing ground noise and electromagnetic interference (EMI).

EMS access to external RAM or ROM may be used to support Kanji or other extended character sets.

The WD76C10A interfaces with either an 80286 or 80386SX processor. The processor type is automatically sensed at power up. No extra logic is required to interface with the 80386SX. The variation in processor reset propagation delay is controlled to meet the strict reset timing of the 80386SX.

### 1.3.2 WD76C10ALP

In addition to supporting all the features of the WD76C10A, the WD76C10ALP also supports portable notebook/laptop computers. To provide this support, the WD76C10ALP makes use of Power Management Control (PMC) for powering down peripherals or the processor, processor stop clock, slow clock, automatic processor clock speed switching modes and CAS before RAS slow refresh. Suspend and resume is supported when low power DRAM is refreshed while the processor and other power consuming devices are turned off. The power drain for the core logic and VGA controller is less than 5 mA in this mode. Power and clock speed may be controlled by the keyboard processor, transparently to the 80286 or 80386SX.

The System Activity Monitor (SAM) provided by WD76C10ALP is a transparent feature that replaces the functions previously performed by software. It senses when the system has been idle for a previously programmed period of time and determines a clean break point in which to perform power down activities such as suspend.

### 1.3.3 WD76C10ALV

The WD76C10ALV supports all of the 80386SX mode functions and features supplied by the WD76C10ALP. In addition, the WD76C10ALV has improved the PC notebook/laptop design by operating with a 3.3 volt  $\pm$  0.3V power supply, which nearly doubles the battery life.

The WD76C10ALV does not support 80286 modes.

The DC operating Characteristics and AC timing specifications that differ from the WD76C10A/LP are presented in the Appendix.



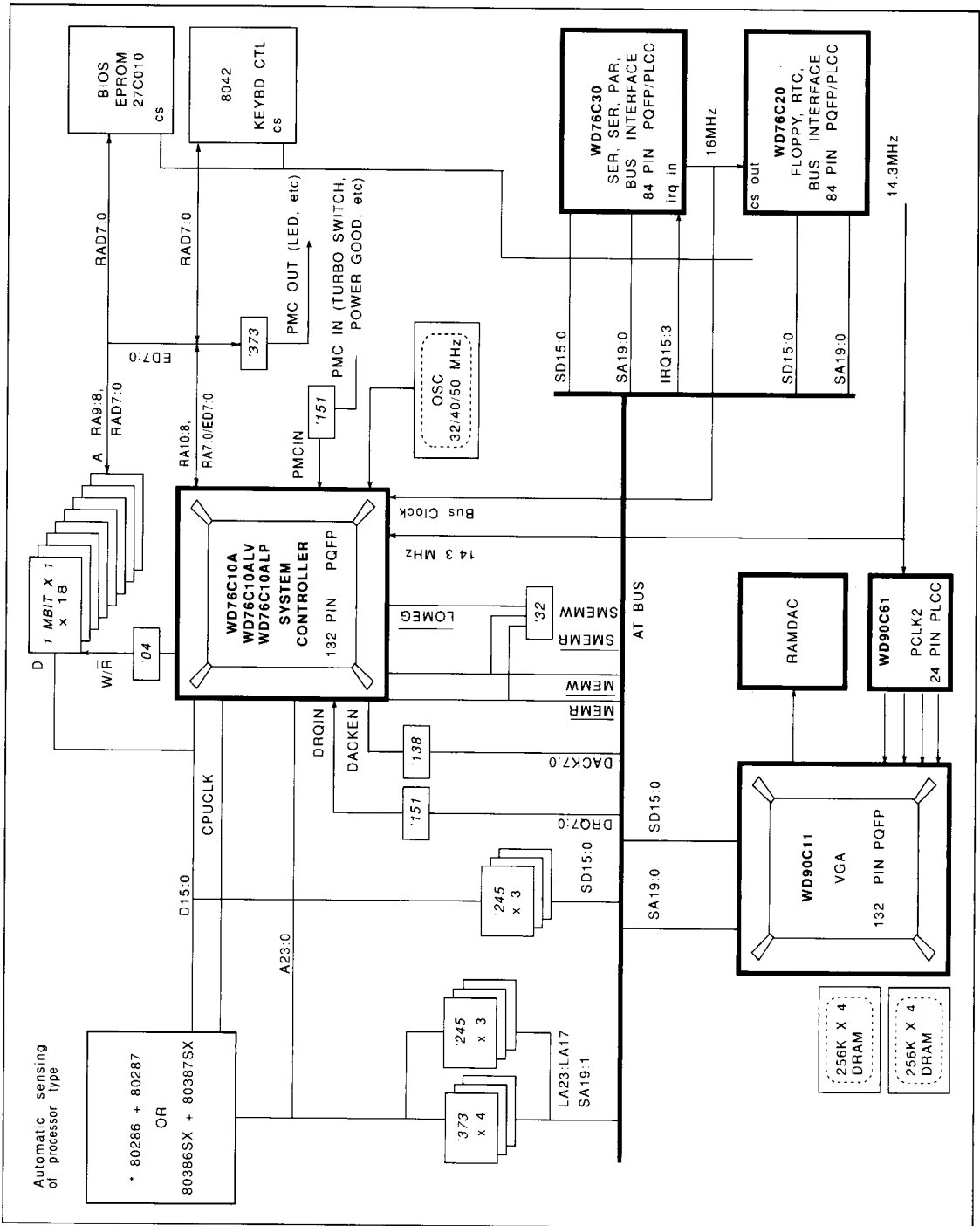


FIGURE 1-1. SYSTEM BLOCK DIAGRAM



## 2.0 ARCHITECTURE

All versions of the System Controller are comprised of eight major blocks:

- Initialization and clocking
- AT bus
- 80286/80387SX processor control
- 80287/80387SX numeric processor control
- Data bus
- Memory and EMS control
- Power Management Control (WD76C10ALP/LV only)
- Register File

Sections 2.1 through 2.8 provide an overview of these blocks and are described in more detail in sections 4 through 9.

### 2.1 INITIALIZATION AND CLOCKING

At power up, the System Controller receives the  $\overline{\text{RSTIN}}$  signal, which it uses to reset the AT bus and assert CPURES and NPRST to reset the main and numeric processors. The processor and AT bus resets are held for 84 processor clocks beyond the removal of the  $\overline{\text{RSTIN}}$  signal. It is at this time that the type of processor in use (80286, 80287 or 80386SX, 80387SX) is determined by examining the  $\text{S1}[\text{W/R\#}]$  signal.

CLK14 is a 14.318 MHz clock for the 8254 compatible timers and is switched by the WD76C20 to 32 KHz during a suspend and resume operation.

BCLK2 is used to generate an 8 MHz or 10 MHz bus clock and may also be used as the source for the main processor clock, CPUCLK.

### 2.2 AT BUS

The AT bus provides the logic necessary to control the system clock, memory read and write access, I/O read and write cycles, data bus direction, data and interrupt requests and speaker driver.

### 2.3 MAIN PROCESSOR CONTROL

At the termination of reset, this block determines whether the local processor is an 80286 or 80386SX by examining the  $\text{S1}[\text{W/R\#}]$  signal. This block also controls whether the CPUCLK is to be an input or output. While all versions of the System Controller have the ability to reduce the processor clock rate, only the WD76C10ALP and WD76C10ALV have the ability to stop the clock to the processor. The WD76C10ALP/LV also have the ability to power down the processor, at which time it tristates signals CPUCLK, READY, HOLD, INTRQ and NMI.

### 2.4 NUMERIC PROCESSOR CONTROL

All three System Controllers support an 80287 or 80387SX processor.

### 2.5 DATA BUS

The Data Bus is a 16 bit (two bytes) bidirectional bus that connects to the processor's, System Controller, DRAM, and to AT data bus transceivers. The parity of each DRAM byte is indicated by DPL and DPH.

### 2.6 MEMORY AND EMS CONTROL

This block controls the access to 16 Mbytes of real memory or 32 Mbytes of expanded memory. All three versions of the System Controller supports non-page mode memory and independent two-way interleave page mode access to the DRAM banks.





**2.7 POWER MANAGEMENT CONTROL**

The Power Management Control (PMC) is internal logic which interfaces with external multiplexers and latches. Only the WD76C10ALP/LV makes full use of the PMC. They have the ability to power down only the main processor or the main processor and peripherals, conserving power essential to portable notebook/laptop computers. When in a power down state, the WD76C10ALP/LV tristates the CPUCLK, READY, HOLD, INTRQ and NMI output signals to the main processor.

**2.8 REGISTER FILE**

The register file provides software control of the interface signals. The function of each register is described in the same section as the logic block which it controls. Some registers, such as the Bus Timing and Power Down Control Register at Port 1872H, serve more than one area. In this instance the register description appears only in one section but is referred to in all appropriate sections.

The registers, and the section in which they are described, are listed in Table 2-1.

In most cases, the registers are addressed by all 16 address bits, A15 through A00. Within the text, when the address is expressed as a three digit number, i.e., 092H - ALT A20 GATE and HOT RESET, only address bits A09 through A00 are used, A15 through A10 are ignored. If the address is expressed as a four digit number, all 16 address bits are used.

With the exception of the EMS Registers at port E072H and E872H and Port 70H Shadow Register at E472H, all registers located at Ports 1072H through FC72H are locked and inaccessible until unlocked by performing an eight bit I/O write of DA to the Lock/Unlock Register at Port F073H. Writing anything other than DA locks the registers. The lock/unlock status can be determined by reading the Lock/Unlock Status Register at Port FC72H twice. If the T bit (bit 15) toggles, the registers are unlocked. If the registers are locked, the read cycle is directed to the AT bus, and the data is undetermined.

**2.8.1 Lock Status Register**

Port Address FC72H - Read only

Bits 11-03 are particularly useful in laptop applications by allowing the suspend/resume software to restore correct status to on-board devices.

15	14	13	12	11	10	09	08
T				DMA #2 CH3 CH2 CH1 CH0			

07	06	05	04	03	02	01	00
DMA #1 CH3 CH2 CH1 CH0				P			

**Signal Name** **Default At RSTIN**

All signals . . . . . None

**Bit 15 - T, Toggle**

Changes state after every read of this port.

**Bits 14-12 - Not used, state is ignored**

**Bits 11-08 - DMA #2, Channel Enable**

This field represents the state of the Enable Bit (Mask) for channels 3 through 0 of DMA Controller #2. For a description of the Mask Registers, refer to section 5.4.11.

- 0 = Channel enabled
- 1 = Channel disabled

**Bits 07-04 - DMA #1, Channel Enable**

This field represents the state of the Enable Bit (Mask) for channels 3 through 0 of DMA Controller #1. For a description of the Mask Registers, refer to section 5.4.11.

- 0 = Channel enabled
- 1 = Channel disabled

**Bit 03 - P, Parallel Port Direction**

The P bit represents the state of the Direction Bit (bit 5) of the parallel port Write Control Register. For a description of this bit, refer to the WD76C30 Data Book, section 4.3

**Bits 02-00 - Not used, state is ignored**



**2.8.2 Lock/Unlock Register**

Port Address F073H - Write only

15	14	13	12	11	10	09	08

07	06	05	04	03	02	01	00
L/UL							

<b>Signal Name</b>	<b>Default</b>
	<b>At RSTIN</b>

All signals . . . . . None

**Bits 15-08** - Not used, state is ignored

**Bits 07-00** - L/UL, Lock/Unlock

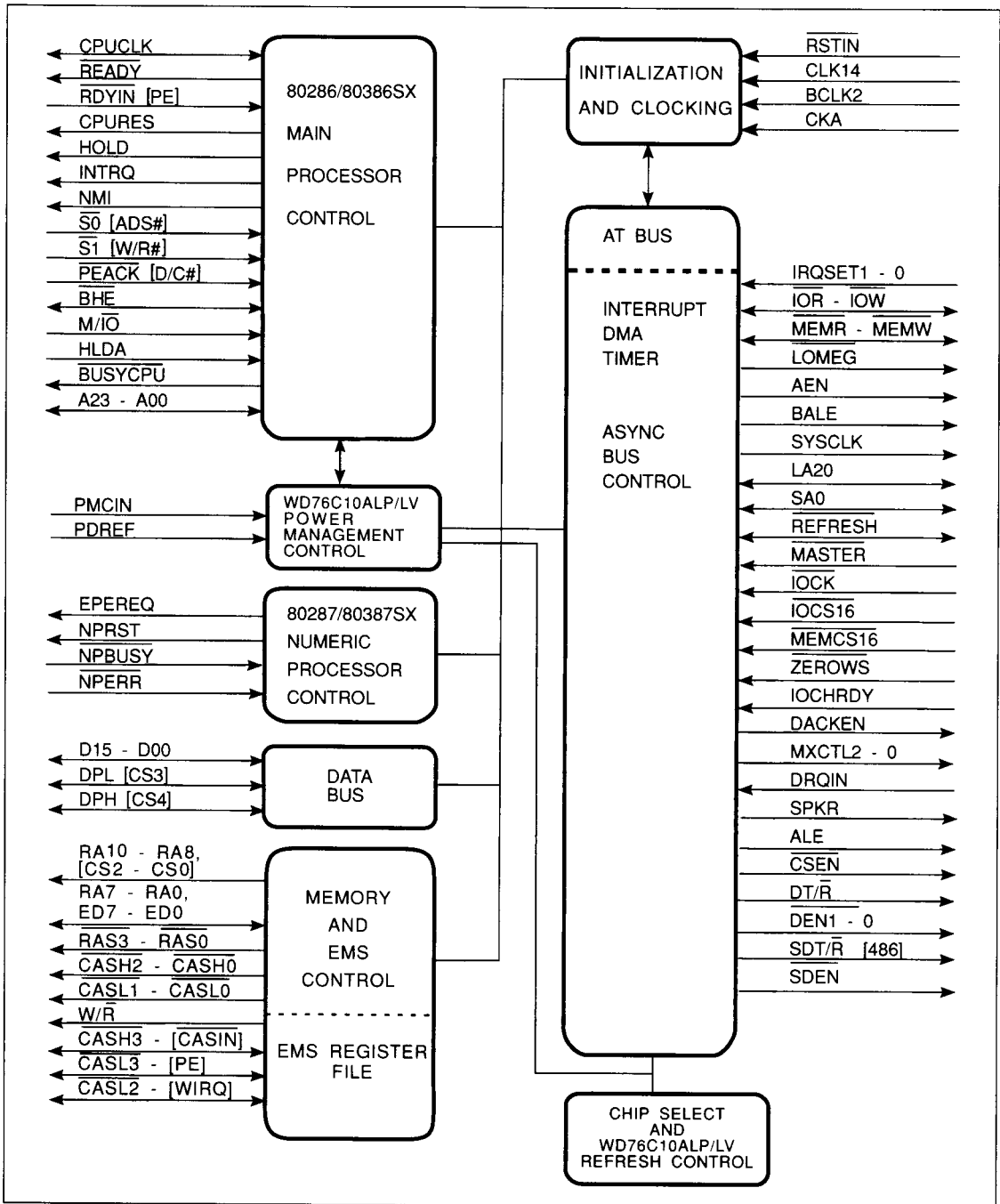
L/UL = DA -

11011010 unlocks the registers, allowing read and write access to the registers. Refer to Table 2-1 for the registers capable of being locked.

L/UL ≠ DA -

Anything other than 11011010 locks the registers. Any attempt to access a locked register I/O port address goes to the AT bus rather than the locked register.





5

FIGURE 2-1. WD76C10A/LP/LV BLOCK DIAGRAM



PORT ADDRESS (HEX)	REGISTER NAME	LOCK/ UNLOCK	SECTION
000 - 00F ①	DMA Control #1 (Channel 0:3)	No	5.4, 5.6,
020 - 021 ②	Interrupt Controller #1	No	5.5
040	Timer 0, Time Of Day	No	5.7
041	Timer 1, Refresh	No	5.7
042	Timer 2, Speaker	No	5.7
043	Control Word	No	5.7
060 - 06E even	Keyboard Controller	No	7.5, Table 7-1
061 - 06F odd	Port B Parity Error And I/O Channel Check	No	5.9
070 - 07E even	Real-Time Clock Address Register	No	5.8.1
071 - 07F odd	Real-Time Clock Data Register	No	5.8.2
080 - 09F	(except 092H) DMA Page Registers	No	5.6.4
092	ALT A20 Gate and Hot Reset	No	5.8.3
0A0 - 0A1 ②	Interrupt Control Slave #2	No	5.4, 5.6
0C0 - 0DE ①	DMA Control #2 (Channel 4:7)	No	5.4
00F0	CLEAR 287 BUSY	No	5.3.2
00F1	RESET 287/387SX	No	5.3.3
1072	CPU Clock Control	Yes	4.2.4
1872	Bus Timing And Power Down Control	Yes	5.3.1
2072	Refresh Control, Serial And Parallel Chip Selects	Yes	7.1
2872	Chip Selects	Yes	7.2
3072	Programmable Chip Select Address	Yes	7.3
3872	Memory Control	Yes	6.2.1
4072	Non-page Mode DRAM Memory Timing	Yes	6.3.1
4872	Bank 1 And Bank 0 Start Address	Yes	6.2.2
5072	Bank 3 And Bank 2 Start Address	Yes	6.2.2
5872	Split Start Address	Yes	6.2.3
6072	RAM Shadow And Write Protect	Yes	6.2.4
6872	EMS Control And Lower EMS Boundary	Yes	6.4.1
7072	PMC Output Control 7:0	Yes	8.3
7872	PMC Output Control 15:8	Yes	8.3
8072	PMC Timers	Yes	8.4
8872	PMC Inputs 7:0	Yes	8.5
9072	NMI Status	Yes	8.7
9872	Diagnostic	Yes	9.1
A072	Delay Line	Yes	9.2
A872	Test Enable	Yes	9.3
B072	Activity Monitor Control	Yes	8.11
B872	DMA Control Shadow	Yes	5.4.15
C072	High Memory Write Protect Boundary	Yes	6.2.5
C872	PMC Interrupt Enables	Yes	8.6
D072	Serial/Parallel Shadow Register	Yes	8.8
D472	Interrupt Controller Shadow	Yes	8.9
D872	Activity Monitor Mask	Yes	8.12
DC72	Test Status	Yes	9.4
E072	EMS Page Register Pointer	No	6.4.2
E472	Port 70H Shadow	No	8.10

TABLE 2-1. REGISTER INDEX



PORT ADDRESS (HEX)	REGISTER NAME	LOCK/ UNLOCK	SECTION
E872	EMS Page Register . . . . .	No	6.4.3
F072	48 MHz Oscillator Disable . . . . .	Yes	7.5, Table 7-1
F472	48 MHz Oscillator Enable . . . . .	Yes	7.5, Table 7-1
F872	Cache Flush . . . . .	Yes	7.4
FC72	Lock Status . . . . .	Yes	2.8.1
F073	Lock/Unlock . . . . .	No	2.8.2
① See Table 5-4. DMA Controller/Channel Function Map ② See Table 5-6. Interrupt Controller Function Map			

TABLE 2-1. REGISTER INDEX (Continued)



### 3.0 SIGNAL DESCRIPTION

The signals are listed according to their pin number in Table 3-1. The signals are grouped according to their application and described in Table 3-2.

PIN - NAME	PIN - NAME	PIN - NAME	PIN - NAME
1 - RA5/ED5	35 - NPRST	68 - D11	102 - A9
2 - Vcc	36 - LOMEG	69 - Vcc	103 - A8
3 - RA4/ED4	37 - MEMW	70 - D12	104 - A7
4 - RA3/ED3	38 - MEMR	71 - D13	105 - A6
5 - Vss	39 - IOW	72 - D14	106 - A5
6 - RA2/ED2	40 - IOR	73 - D15	107 - A4
7 - RA1/ED1	41 - BHE	74 - DT/R	108 - A3
8 - RA0/ED0	42 - NPERR	75 - DEN1	109 - A2
9 - CASH2	43 - PEACK [D/C#]	76 - DEN0	110 - IRQSET1
10 - CASL2 [WIRQ]	44 - M/IO	77 - SYSCLK	111 - IRQSET0
11 - RAS2	45 - S0 [ADS#]	78 - CPURES	112 - MXCTL0
12 - CASH3 [CASIN]	46 - S1 [W/R#]	79 - BALE	113 - MXCTL1
13 - CASL3 [PE]	47 - READY	80 - A23	114 - MXCTL2
14 - RAS3	48 - HLDA	81 - A22	115 - CSEN
15 - DPH [CS4]	49 - HOLD	82 - A21	116 - DACKEN
16 - DPL [CS3]	50 - BCLK2	83 - IOCK	117 - PDREF -
17 - RSTIN	51 - RDYIN [CKA]	84 - CLK14	WD76C10ALP/LV
18 - DRQIN	[PE]	85 - NPBUSY	118 - PMCIN
19 - IOCHRDY	52 - CPUCLK	86 - A0 [BLE#]	119 - W/R
20 - ZEROWS	53 - BUSYCPU	87 - A1	120 - CASH0
21 - IOCS16	54 - NMI	88 - A20	121 - CASL0
22 - MEMCS16	55 - INTRQ	89 - A19	122 - RAS0
23 - SPKR	56 - D0	90 - A18	123 - CASH1
24 - SA0	57 - D1	91 - A17	124 - CASL1
25 - LA20	58 - D2	92 - A16	125 - RAS1
26 - MASTER	59 - D3	93 - A15	126 - RA10 [CS2]
27 - ALE	60 - D4	94 - A14	127 - RA9 [CS1]
28 - AEN	61 - D5	95 - A13	128 - RA8 [CS0]
29 - SDEN	62 - D6	96 - A12	129 - Vss
30 - SDT/R [486]	63 - D7	97 - A11	130 - RA7/ED7
31 - Vcc	64 - D8	98 - Vss	131 - RA6/ED6
32 - REFRESH	65 - D9	99 - Vss	132 - Vss
33 - Vss	66 - D10	100 - A10	
34 - EPEREQ	67 - Vss	101 - Vcc	

TABLE 3-1. SIGNAL/PIN ASSIGNMENTS

NOTE: Some pins are multi-functional depending upon the mode of operation. The alternate signal for these pins is enclosed in [ ].



PIN NUMBER	MNEMONIC	SIGNAL NAME	I/O	DESCRIPTION
<i>INITIALIZATION AND CLOCKING</i>				
17	RSTIN	System Reset	I	RSTIN drives a CMOS input level Schmitt Trigger and is used to reset the entire system at power up. For a detailed description, refer to Section 4, Initialization And Clocking.
50	BCLK2	Bus Clock	I	BCLK2 is used to generate an 8 MHz or 10 MHz expansion bus clock. For an 8 MHz bus, BCLK2 is a 16 MHz or 32 MHz input signal. For a 10 MHz bus clock, BCLK2 is a 20 or 40 MHz input signal. BCLK2 may also be used to drive the processor clock.  For additional information, refer to section 4, Initialization And Clocking.
84	CLK14	Clock 14	I	CLK14 is derived from a 14.318 MHz crystal and is used internally for the 8254 compatible timers. CLK14 is externally switched to 32 KHz during a suspend and resume.
<i>AT BUS</i>				
40	$\overline{\text{IOR}}$	$\overline{\text{I/O Read}}$	I/O	$\overline{\text{IOR}}$ is an output and is asserted by the System Controller during processor or DMA access to indicate that an I/O read operation is to take place on the AT bus.  $\overline{\text{IOR}}$ is an input during Master Mode.
39	$\overline{\text{IOW}}$	$\overline{\text{I/O Write}}$	I/O	$\overline{\text{IOW}}$ is an output and is asserted by the System Controller during processor or DMA access to indicate that an I/O write operation is to take place on the AT bus.  $\overline{\text{IOW}}$ is an input during Master Mode.
38	$\overline{\text{MEMR}}$	$\overline{\text{Memory Read}}$	I/O	$\overline{\text{MEMR}}$ is an output and is asserted by the System Controller when a memory read access to the AT bus is to take place.  $\overline{\text{MEMR}}$ is an input during Master Mode.

TABLE 3-2. SIGNAL DESCRIPTION

PIN NUMBER	MNEMONIC	SIGNAL NAME	I/O	DESCRIPTION
<i>AT BUS (cont.)</i>				
37	MEMW	Memory Write	I/O	<p>MEMW is an output and is asserted by the System Controller when a memory write access to the AT bus is to take place.</p> <p>MEMW is an input during Master Mode.</p>
36	LOMEG	First Megabyte	O	LOMEG is asserted when the AT bus address is below 1 Mbyte. Used with MEMR and MEMW to generate SMEMR and SMEMW.
28	AEN	Address Enable	O	AEN is asserted by the System Controller while performing DMA and Refresh cycles.
79	BALE	AT Bus Address Latch Enable	O	Address Latch Enable for the AT bus. BALE is synchronous with the Bus Clock (BCLK2).
77	SYSCLK	System Clock	O	<p>In asynchronous bus mode, SYSCLK is equal to BCLK2 divided by two when BCLK2 is less than 28 MHz, and divided by four when BCLK2 is greater than 28 MHz.</p> <p>In synchronous bus mode, SYSCLK is equal to CPUCLK divided by two or four, depending on the programming.</p>
25	LA20	Early Address 20	I/O	<p>When not in Master Mode, LA20 is an output and is asserted by the System Controller to place address 20 on the AT Bus LA20 line.</p> <p>When in Master Mode, LA20 is an input and is asserted by the Bus Master to place address on A20.</p>
24	SA0	System Address 0	I/O	<p>When not in Master Mode, SA0 is an output and is asserted by the System Controller to place address 00 on the AT Bus SA0 line.</p> <p>When in Master Mode, SA0 is an input and is asserted by the Bus Master to place address on A0.</p>

TABLE 3-2. SIGNAL DESCRIPTION (Continued)





PIN NUMBER	MNEMONIC	SIGNAL NAME	I/O	DESCRIPTION
<i>AT BUS (cont.)</i>				
32	REFRESH	Refresh	I/O	As an output, $\overline{\text{REFRESH}}$ is asserted by the System Controller to refresh memory on the AT Bus.  As an input, $\overline{\text{REFRESH}}$ is asserted by the Bus Master in conjunction with MEMR to refresh memory on the AT Bus and DRAM controlled by the System Controller.
26	MASTER	Master	I	MASTER is asserted by the Bus Master to indicate that a Bus Master cycle is occurring. This causes LA20, SA0, MEMR, MEMW, IOR, and IOW to become input signals.
83	IOCK	I/O Check	I	When asserted, $\overline{\text{IOCK}}$ indicates a bus or memory error is on the AT bus and generates an NMI to the processor.
21	IOCS16	16 Bit I/O Cycle	I	Initiates a 16 bit I/O AT bus cycle.
22	MEMCS16	16 Bit Memory Cycle	I	Initiates a 16 bit memory AT bus cycle.
20	ZEROWS	Zero Wait States	I	Initiates a zero wait AT bus cycle.
19	IOCHRDY	I/O Channel Ready	I	Initiates wait states during AT bus cycles.
116	DACKEN	DACK Enable	O	When DACKEN is asserted, MXCTL2-0 are used to generate DACK7-5, 3-0 and BUS_RST. Refer to Table 5-1 and Figure 5-1.
114	MXCTL2	Multiplexer Control 2	O	MXCTL2 - MXCTL0, along with DRQIN, DACKEN, IRQSET1, IRQSET0 and PMCIN, control the external multiplexer for the selection of DRQs, DACKs, IRQs, ROM8, A20GT and RESCPU. Refer to Table 5-1 and Figure 5-1.
113	MXCTL1	Multiplexer Control 1	O	
112	MXCTL0	Multiplexer Control 0	O	

TABLE 3-2. SIGNAL DESCRIPTION (Continued)

5



PIN NUMBER	MNEMONIC	SIGNAL NAME	I/O	DESCRIPTION
<i>AT BUS (cont.)</i>				
18	DRQIN	Multiplexed DRQ Inputs	I	DRQIN, along with MXCTL2 - 0, selects one of the DRQs or CLOCK_DIR_IN. Refer to Table 5-1 and Figure 5-1.
110	IRQSET1	Interrupt Request Set 1	I	IRQSET1, along with MXCTL2 - 0, selects one of the of the following: A20GT, IRQ1, IRQ3 - IRQ7, IRQ12. Refer to Table 5-1 and Figure 5-1.
111	IRQSET0	Interrupt Request Set 0	I	IRQSET0, along with MXCTL2 - 0, selects one of the following: ROM8, RESCPU, IRQ8, IRQ9 - IRQ11, IRQ14 and IRQ15. Refer to Table 5-1 and Figure 5-1.
23	SPKR	Speaker	O	SPKR drives the speaker transistor and is used for diagnostics.
27	ALE	Address Latch Enable	O	ALE is used to clock the SA1 - SA19 address latches.
115	$\overline{\text{CSEN}}$	$\overline{\text{Chip Select Enable}}$	O	When asserted, DPH, DPL, and RA10-RA8 are used to generate one of 28 different chip selects. Refer to Table 7-1.
74	DT/ $\overline{\text{R}}$	$\overline{\text{Data Transmit/Receive}}$	O	DT/ $\overline{\text{R}}$ controls the direction of the AT Data Bus D00 - D15.  When DT/ $\overline{\text{R}}$ is high, data is directed to the AT Bus.  When DT/ $\overline{\text{R}}$ is low, data is transferred from the AT bus.
76	$\overline{\text{DENO}}$	$\overline{\text{Data Bus Enable 0}}$	O	When asserted, $\overline{\text{DENO}}$ enables the low order byte data buffer.
75	$\overline{\text{DEN1}}$	$\overline{\text{Data Bus Enable 1}}$	O	When asserted, $\overline{\text{DEN1}}$ enables the high order byte data buffer.
29	$\overline{\text{SDEN}}$	$\overline{\text{Swap Data Enable}}$	O	$\overline{\text{SDEN}}$ enables the data transfer between high and low bytes of the AT Bus.

TABLE 3-2. SIGNAL DESCRIPTION (Continued)



PIN NUMBER	MNEMONIC	SIGNAL NAME	I/O	DESCRIPTION
<i>AT BUS (cont.)</i>				
30	SDT/ $\bar{R}$ [486]	Swap Data Transmit/Receive [80486]	I/O	<p>SDT/<math>\bar{R}</math> [486] is tristated by a 50K pullup resistor internal to the WD76C10A when <math>\bar{RSTIN}</math> at pin 17 is low.</p> <p><b>SDT/<math>\bar{R}</math> Mode - Output</b> When SDT/<math>\bar{R}</math> is high, it directs data from the low byte of the AT Bus to the high byte.</p> <p>When SDT/<math>\bar{R}</math> is low, it directs data from the high byte of the AT bus to the low byte.</p> <p>Forcing SDT/<math>\bar{R}</math> high while <math>\bar{RSTIN}</math> is low selects the SDT/<math>\bar{R}</math> mode. Holding SDT/<math>\bar{R}</math> high as <math>\bar{RSTIN}</math> goes high maintains the SDT/<math>\bar{R}</math> mode.</p> <p><b>80486 Mode - Input</b> Selecting 80486 mode sets the SRC bit in Port 1072H to 1. This causes <math>\bar{RDYIN}</math> at pin 51 to be the default processor clock source input.</p> <p>Forcing SDT/<math>\bar{R}</math> low while <math>\bar{RSTIN}</math> is low selects the 80486 mode. Holding SDT/<math>\bar{R}</math> low as <math>\bar{RSTIN}</math> goes high, maintains the 80486 mode.</p> <p>The SDT/<math>\bar{R}</math> pin may be forced low at reset with a 5K pulldown resistor or an open collector or tristate driver, driven by <math>\bar{RSTIN}</math>.</p>
<i>MAIN PROCESSOR CONTROL</i>				
52	CPUCLK	Processor Clock	I/O	<p>CPUCLK speed and whether it is to be an input or output, is selected by the CPU Clock Control Register at Port Address 1072H. It is normally selected as an output to drive the processor but may be selected as an input from an external processor clock driver.</p>
47	$\bar{READY}$	Processor Ready	O	<p><math>\bar{READY}</math> is an output to the processor.</p>

TABLE 3-2. SIGNAL DESCRIPTION (Continued)

PIN NUMBER	MNEMONIC	SIGNAL NAME	I/O	DESCRIPTION
<i>MAIN PROCESSOR CONTROL (cont.)</i>				
51	RDYIN/CKA/PE	Processor Ready $\overline{\text{In}}$ / Alternate Clock/ Parity Error	I	Whether pin 51 is to be used as $\overline{\text{RDYIN}}$ , CKA or PE is determined by the Memory Control Register at Port Address 3872H.  $\overline{\text{RDYIN}}$ is used in a discrete cache system and indicates a hit or miss.  CKA may be used as an alternate source for CPUCLK processor clock.  When used as PE, it indicates a parity error from an external memory controller.
78	CPURES	Main Processor Reset	O	CPURES is a synchronous processor reset signal.
49	HOLD	Hold Request	O	Processor hold cycle request.
55	INTRQ	Interrupt Request	O	Processor interrupt cycle request.
54	NMI	Non-Maskable Interrupt	O	Processor non-maskable interrupt cycle request.
45	$\overline{\text{S0}}$ [ADS#]	$\overline{\text{Processor Status 0}}$ [Address Status]	I	In the 80286 mode this pin is $\overline{\text{S0}}$ .  In the 80386SX mode this pin is ADS#.
46	$\overline{\text{S1}}$ [W/R#]	$\overline{\text{Processor Status 1}}$ [Write Read]	I	In the 80286 mode pin 46 is $\overline{\text{S1}}$ .  In the 80386SX mode pin 46 is W/R#
41	$\overline{\text{BHE}}$	$\overline{\text{Bus High Enable}}$	I/O	As an input, $\overline{\text{BHE}}$ indicates a transfer of the high byte on the processor data bus.  $\overline{\text{BHE}}$ is an output during DMA transfers.
43	$\overline{\text{PEACK}}$ [D/C#]	$\overline{\text{Processor Extension Acknowledge}}$ [Data/Control]	I	In the 80286 mode, pin 43 is $\overline{\text{PEACK}}$ .  In the 80386SX mode, pin 43 is D/C#.
44	$\overline{\text{M/I0}}$	Memory or $\overline{\text{I/O}}$	I	Processor Memory cycle or $\overline{\text{I/O}}$ Status cycle.
48	HLDA	Hold Acknowledge	I	Processor hold acknowledge.

TABLE 3-2. SIGNAL DESCRIPTION (Continued)



PIN NUMBER	MNEMONIC	SIGNAL NAME	I/O	DESCRIPTION
<i>MAIN PROCESSOR CONTROL (cont.)</i>				
53	BUSYCPU	Processor Busy	O	Numeric Processor Busy (80287 or 80387SX) signal to CPU (80286 or 80386SX).
80 - 82 88 - 97 100 102 - 109 87 86	A23 - A21 A20 - A11 A10 A9 - A2 A1 A0 [BLE#]	Processor Address A23 through A00 [Bus Low Enable]	I/O	A23 through A1 are address lines from the 80286 or 80386SX. A0 is address bit A0 for the 80286, BLE# for the 80386SX, and is controlled by SA0 (AT Bus pin 24) during Master Mode operations.  A21, A19 through A1 are outputs during refresh and DMA cycles and inputs in other modes.  A20 and A0 are outputs during refresh, DMA and Master mode cycles and inputs in other modes.
<i>NUMERIC PROCESSOR CONTROL</i>				
34	EPERQ	Extend PERQ	O	PERQ extend signal to the 80386SX for IRQ13 handling. Used only for the 80386SX.
35	NPRST	Numeric Processor Reset	O	Reset to the numeric processor 80287 or 80387SX.
42	$\overline{\text{NPERR}}$	$\overline{\text{Numeric Processor Error}}$	I	Error signal from the numeric processor 80287 or 80387SX.
85	$\overline{\text{NPBUSY}}$	$\overline{\text{Numeric Processor Busy}}$	I	Busy signal from the numeric processor 80287 or 80387SX.
<i>DATA BUS</i>				
73 - 70 68 66 - 56	D15 - D12 D11 D10 - D0	Data Bit 15 - Data Bit 12, Data Bit 11 Data Bit 10 - Data Bit 0	I/O	The Data Bits are connected directly to the Local and Numeric processors, DRAM data and AT Bus data transceivers.
16	DPL [CS3]	Data Parity Low Byte [Chip Select 3]	I/O	For DRAM cycles, DPL is the low byte parity bit. For I/O cycle, CS3 is bit three of the encoded chip select bus.
15	DPH [CS4]	Data Parity High Byte [Chip Select 4]	I/O	For DRAM cycles, DPH is the high byte parity bit. For I/O cycle, CS4 is bit four of the encoded chip select bus.

TABLE 3-2. SIGNAL DESCRIPTION (Continued)



PIN NUMBER	MNEMONIC	SIGNAL NAME	I/O	DESCRIPTION
<b>MEMORY AND EMS CONTROL</b>				
126 127 128	RA10/CS2 RA9/CS1 RA8/CS0	DRAM Address Bit 10 through DRAM Address Bit 8, Chip Select 2 through Chip Select 0	O	The DRAM Address Bus is multi-functional.  During DRAM cycles, RA10 through RA0 select the DRAM Row and Column.
130 131 1 3 4 6 7 8	RA7/ED7 RA6/ED6 RA5/ED5 RA4/ED4 RA3/ED3 RA2/ED2 RA1/ED1 RA0/ED0	DRAM Address Bit 7 through DRAM Address Bit 0, EDATA 7 through 0	I/O	During I/O cycles, CS2 through CS0, along with CS4 and CS3, are decoded by external logic to one of 32 possible Chip Selects. ED7 through ED0 represents the data from such devices as the Keyboard Controller on the EDATA bus.
14 11 125 122	$\overline{\text{RAS3}}$ $\overline{\text{RAS2}}$ $\overline{\text{RAS1}}$ $\overline{\text{RAS0}}$	Row Address Select 3 through Row Address Select 0	O	$\overline{\text{RAS3}}$ through $\overline{\text{RAS0}}$ are designed to access the DRAM without the use of external drivers.
12, 9, 123, 120	$\overline{\text{CASH3}}$ $[\overline{\text{CASIN}}]$ $\overline{\text{CASH2}}$ $\overline{\text{CASH1}}$ $\overline{\text{CASH0}}$	Column Address Select High 3 through Column Address Select High 0	I/O O O O	$\overline{\text{CASH3}}$ [ $\overline{\text{CASIN}}$ ] is tristated by a 50K pul- lup resistor internal to the WD76C10A when $\overline{\text{RSTIN}}$ at pin 17 is low.  <b>CAS Output Mode</b> $\overline{\text{CASH3}}$ through $\overline{\text{CASH0}}$ operate as output signals and are designed to access the DRAM without the use of external drivers.  Forcing $\overline{\text{CASH3}}$ [ $\overline{\text{CASIN}}$ ] high while $\overline{\text{RSTIN}}$ is low, selects the $\overline{\text{CASH3}}$ Output Mode. Holding $\overline{\text{CASH3}}$ [ $\overline{\text{CASIN}}$ ] high as $\overline{\text{RSTIN}}$ goes high, maintains the $\overline{\text{CASH3}}$ Output Mode.  <b>CAS Input Mode</b> In this mode pins 12, 13 and 10 function as input pins controlled by $\overline{\text{CASIN}}$ , PE and WIRQ. $\overline{\text{CASH2}}$ , $\overline{\text{CASH1}}$ and $\overline{\text{CASH0}}$ (pins 9, 123 and 120) remain output signals.  Forcing $\overline{\text{CASH3}}$ [ $\overline{\text{CASIN}}$ ] low while $\overline{\text{RSTIN}}$ is low, selects the $\overline{\text{CAS}}$ Input Mode. Hold- ing $\overline{\text{CASH3}}$ [ $\overline{\text{CASIN}}$ ] low as $\overline{\text{RSTIN}}$ goes high, maintains the $\overline{\text{CAS}}$ Input Mode.

TABLE 3-2. SIGNAL DESCRIPTION (Continued)



PIN NUMBER	MNEMONIC	SIGNAL NAME	I/O	DESCRIPTION
<i>MEMORY AND EMS CONTROL (cont.)</i>				
13	<u>CASL3</u> [PE]	Parity Error	I/O	<p>The <u>CASH3</u> [<u>CASIN</u>] pin may be forced low at reset with a 5K pulldown resistor or an open collector or tristate driver, driven by <u>RSTIN</u>.</p> <p><b><u>CAS Output Mode</u></b>  <u>CASL3</u> through <u>CASL0</u> are designed to access the DRAM without the use of external drivers.</p> <p><b><u>CAS Input Mode - PE</u></b>                      When <u>CAS</u> Input Mode is selected by [<u>CASIN</u>] on pin 12, and bits 13 and 12 of Port 3872H are both 1, pin 13 becomes an input and represents a Parity Error. A parity error is indicated by the low to high transition of the PE signal.</p> <p><b><u>CAS Input Mode - WIRQ</u></b>                      When <u>CAS</u> Input Mode is selected by [<u>CASIN</u>] on pin 12, pin 10 becomes an interrupt signal typically connected to IRQ13, the error signal of a Weitek coprocessor.</p> <p>When WIRQ goes from low to high, an IRQ13 is generated to the system.</p> <p><u>W/R</u> is output as a high signal to write to memory and output as a low signal to read from memory. <u>W/R</u> should be buffered before use.</p>
10	<u>CASL2</u> [WIRQ]	Weitek Interrupt	I/O	
124	<u>CASL1</u>	Column Address Select Low 3	O	
121	<u>CASL0</u>	through Column Address Select Low 0	O	
119	<u>W/R</u>	<u>Write/Read</u>	O	

5

TABLE 3-2. SIGNAL DESCRIPTION (Continued)



PIN NUMBER	MNEMONIC	SIGNAL NAME	I/O	DESCRIPTION
<i>POWER MANAGEMENT CONTROL</i>				
117	PDREF	Power Down Refresh	I	PDREF is a 64 KHz signal from the WD76C20. During power down, PDREF is passed internally to pin 32 (REFRESH).
118	PMCIN	Power Management Control Input	I	PMCIN is used to sample eight PMC inputs. See Table 5-1 and Figure 5-1.
<i>MISCELLANEOUS</i>				
5, 33, 67, 98, 99, 129 132	Vss		I	Ground (7 pins)
2, 31, 69, 101	Vcc		I	+5 Volts (4 pins)

TABLE 3-2. SIGNAL DESCRIPTION (Continued)





## 4.0 INITIALIZATION AND CLOCKING

This section describes the system Master Reset ( $\overline{RSTIN}$ ) operation, control of internal clock (CLK14), bus clock (SYSCLK) and the processor clock (CPUCLK).

### 4.1 POWER UP RESET

The system reset signal,  $\overline{RSTIN}$ , is generated externally at power up and is used to reset the entire system. When asserted, the System Controller outputs the CPURES signal to reset the Main Processor. At this time the System Controller also resets the AT bus by asserting DACKEN and MXCTL2-0 = 100, which are decoded externally as BUS\_RST (DACK4), see sections 5.1, 5.1.1, Table 5-1 and Figure 5-1. An external RC circuit can be used to extend the time that  $\overline{RSTIN}$  is asserted until the power supply reaches a proper level. CPURES and the AT bus reset signals are de-asserted 84 clock pulses after  $\overline{RSTIN}$  reaches its switching threshold. It is during the reset period that the type of processor is detected by examining the state of the  $\overline{S1}$  signal. If  $\overline{S1}$  is asserted, the System Controller enters the 80386SX mode. If  $\overline{S1}$  is de-asserted, it enters the 80286 mode. If an 80386SX has been detected,  $\overline{BUSYCPU}$  is asserted so that the processor may perform its self-test operation immediately following the power up reset.

### 4.2 CLOCKING

The System Controller makes use of five clocks, CLK14, BCLK2, CPUCLK, CKA and SYSCLK. Figure 4-1 shows how the clocks interact with each other and the register used to select the clock and speed.

#### 4.2.1 Internal Clock (CLK14)

CLK14 is an input signal from a 14.318 MHz crystal and is used for the control of the 8254 compatible timers. CLK14 is switched by the WD76C20 to 32 KHz during save and resume operations.

#### 4.2.2 System Bus Clock (SYSCLK)

The AT bus is driven by the SYSCLK, which is derived from either the BCLK2 or CPUCLK, as selected by the Bus Timing Register at Port Address 1872H. SYSCLK is always one half or one fourth the value of the selected input clock (refer to Figure 4-1).

#### 4.2.3 Processor Clock (CPUCLK)

The processor clock may be an output or input, depending on whether the System Controller generates CPUCLK or an external oscillator is used. At speeds higher than 50 MHz, CPUCLK may need to be generated by an external oscillator, making it possible to control the processor duty cycle more closely. At lower speeds, the System Controller may use BCLK2 to generate CPUCLK or, in a system without discrete cache, the System Controller may use CKA to generate CPUCLK.

During reset, CPUCLK is an output.

If the CPUCLK is initially placed in the input mode, it may be changed to the output mode by writing to the PMC Control Register at Port Address 7872H. The PMC control output 0 tristates the external clock oscillator. A processor reset (CPURES) is automatically generated during the clock switching process.

When the CPUCLK is an output, it may be stopped by SCHH or SCH (CPU Clock Control Register - bits 01 or 00, at Port Address 1072H) or divided down by CLK\_SPD (bits 14-12). Only the WD76C10ALP/LV supports the CPUCLK stop function. When CPUCLK is stopped, it is in phase two of the 80C286. CPUCLK is restarted by an NMI or IRQ interrupt, qualified by the normal NMI and IRQ masking circuitry or by an NMI generated PMC logic.

There are two methods for slowing the processor execution rate to provide software compatibility with programs expecting a particular CPU speed, such as game software. One method is to divide the CPUCLK by a factor of 2, 4 or 8. Dividing the clock rate may also have an effect on the CPU power consumption, so CLK\_SPD also provides some choices of clock duty cycle. The other method can be used when the CPUCLK is an

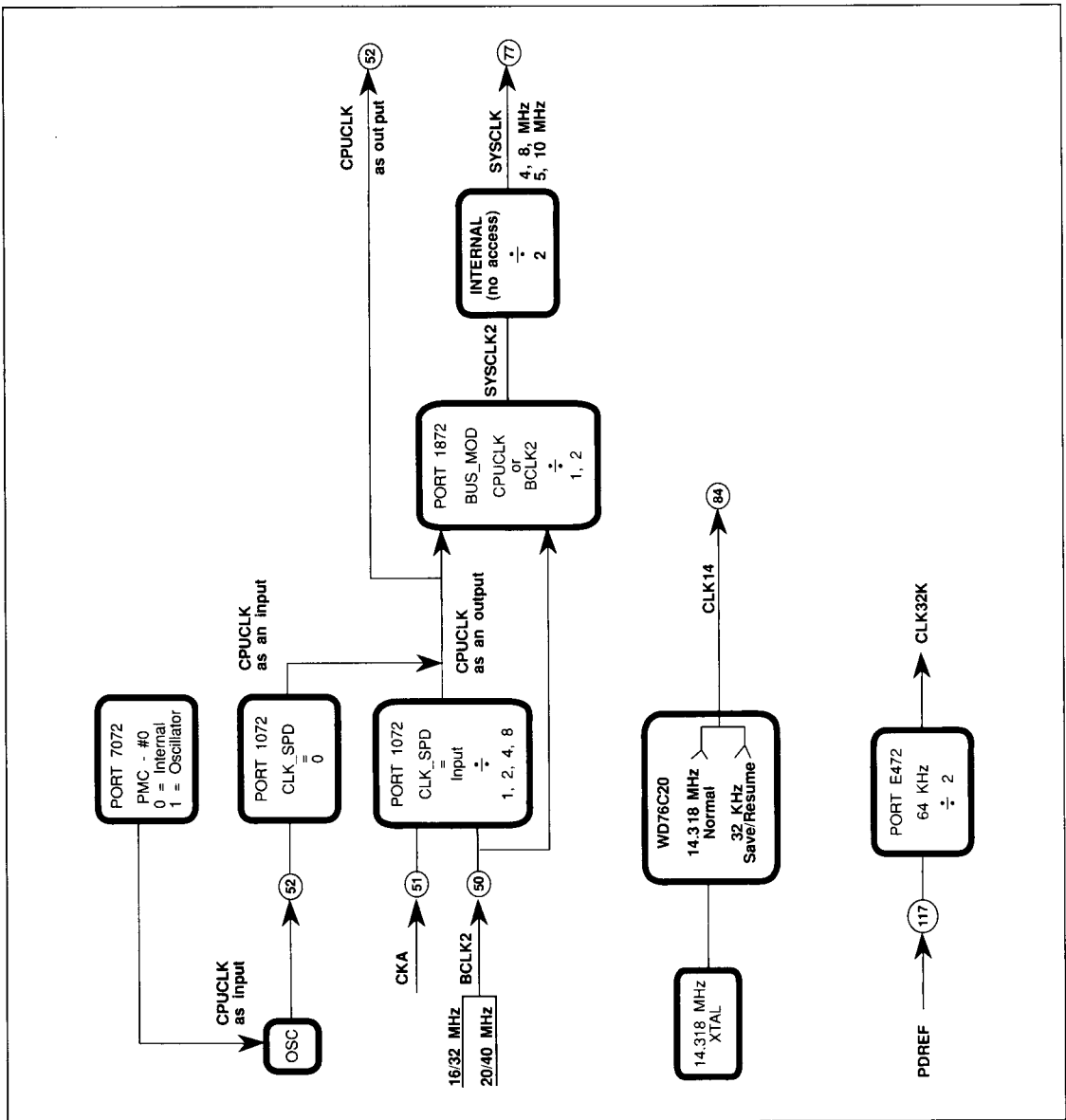


FIGURE 4-1. CLOCK CONTROL

output or input and generated by an external oscillator. In this case, EXT\_HOLD is used to extend the hold request time to the processor after every refresh.

In a system without a cache or external memory controller, pin 51 can be defined as Clock A (CKA) and used in place of the BCLK2. This choice is determined by SRC (CPU Clock Control Register - bit 15 at Port Address 1072H). SRC is set automatically at power up reset, if a clock source is present at pin 51 (CKA).



**4.2.4 CPU Clock (CPUCLK) Control Register**

Port Address 1072H - Read and Write

15	14	13	12	11	10	09	08
SRC	CLK_SPD			AUT_FST	ALT_CLK_SPD		

07	06	05	04	03	02	01	00
EXT_HOLD						SCHH	SCH

Signal Name	Default At RSTIN
SRC	0/1
CLK_SPD	000/001
AUT_FST ☆	0
ALT_CLK_SPD ☆	000
EXTEND_HOLD	0000
Bits 03, 02	None
SCH ☆	0
SCHH ☆	0

☆ Featured only in the WD76C10ALP/LV

**Bit 15 - SRC, CPUCLK Clock Source**

When CPUCLK is selected as an output by bits 14 - 12, SRC determines whether it is to be driven by BCLK2 or CKA.

**Default Value**

SRC is set to 0 and BCLK2 is used as the CPUCLK clock source if CKA does not change state within 64 clocks after RSTIN is de-asserted.

SRC is set to 1 and CKA is used as the CPUCLK clock source if CKA changes state within 64 clocks after RSTIN is de-asserted, or when operating in the 80486 Mode. The 80486 Mode is selected by holding SDT/R low during RSTIN transition from low to high.

SRC = 0 -  
BCLK2 is the CPUCLK source.

SRC = 1 -  
CKA is the CPUCLK source.

**Bits 14-12 - CLK\_SPD, CPUCLK Clock Speed**

CLK\_SPD determines whether CPUCLK is to be an input or output. When selecting CPUCLK as an output, CLK\_SPD also determines the divisor and duty cycle values. The CLK\_SPD \*defaults to 000 or 001 at power up. Changing the CPUCLK from an input (CLK\_SPD = 000) to an output automatically asserts the processor reset (CPURES) and the CPUCLK Driver Enable from the PMC latch is forced low, tristating the external clock oscillator. One ms later, CPUCLK becomes active as an output. One ms and 16 CPUCLK clocks (or one ms) later, the CPURES is de-asserted. This method allows switching the clock source while tolerating glitches in the CPUCLK, generated due to the clock driver not being able to synchronously switch the clock. The one ms and 16 clocks or one ms. selection is made through the Diagnostic Register at Port 9872H.

**CLK\_SPD**

14 13 12

- 0 0 0 - CPUCLK pin is an input, speed determined by external driving source (\* Default value).
- 0 0 1 - CPUCLK pin is an output, source divided by 1 (\* Default value).
- 0 1 0 - OUT, source divided by 2.
- 0 1 1 - OUT, source divided by 4, 25% duty cycle.
- 1 0 0 - OUT, source divided by 4, 75% duty cycle.
- 1 0 1 - OUT, source divided by 8, 12% duty cycle.
- 1 1 0 - OUT, source divided by 8, 88% duty cycle.

\* Based upon the value of CLOCK\_DIR\_IN at power up (refer to Table 5-1, Figure 5-1 and section 5.1.2).



**Bit 11 - AUT\_FST**, Automatic Processor Clock Speed Switching  
 Featured only in the WD76C10ALP/LV

When automatic CPUCLK switching is enabled, the processor clock is switched between high and low clock speeds, depending upon activity. If the external TURBO signal is de-asserted when auto switching is enabled, the CPUCLK is normally at the alternate clock or slower rate. When speedup activity occurs, the clock speed switches to the nominal clock rate, normally the higher, for a period of time determined by Table 4-2. When no further activity occurs, the clock speed switches back down to the alternate speed. If the external TURBO signal is asserted, the clock rate is set to the nominal clock rate specified by the CLK\_SPD field.

A halt state also causes the clock rate to slow, unless the SCHH or SCH field is programmed to stop the clock. The clock restarts or returns to the faster rate when any interrupt occurs.

Table 4-2 shows the activity that triggers a higher clock rate.

**AUT\_FST = 0** - Automatic Clock Switching is disabled. TURBO determines whether CLK\_SPD or ALT\_CLK\_SPD is to be used as the CPU clock. Refer to Table 4-1 for the appropriate selection, as determined by TURBO.

**AUT\_FST = 1** - Automatic CPUCLK Switching between CLK\_SPD and ALT\_CLK\_SPD is enabled when TURBO is de-asserted. CLK\_SPD is selected when TURBO is asserted. Refer to Table 4-1. The EXT\_HOLD field must be 0000 when AUT\_FST = 1.

TURBO	AUTO_FST	CPU CLOCK SPEED
0	0	CLK_SPD
0	1	CLK_SPD
1	0	ALT_CLK_SPD
1	1	CLK_SPD or ALT_CLK_SPD

**TABLE 4-1. CLOCK SWITCH SELECTION**

SPEEDUP ACTIVITY	TIME PERIOD
Hard disk interrupt, Hard disk or numeric processor I/O, SCSI, floppy, port B I/O	1 second
Keyboard interrupt	1 second or until next video access
Video access or processor reset	1 millisecond
Any NMI or IRQ interrupt, except keyboard or hard disk	1 millisecond

**TABLE 4-2. SPEEDUP ACTIVITY**

**Bits 10-08 - ALT\_CLK\_SPD**, Alternate Clock Speed  
 Featured only in the WD76C10ALP/LV

ALT\_CLK\_SPD  
 10 09 08

- 0 0 0 - CPUCLK unchanged from CLK\_SPD (Default value).
- 0 0 1 - Equals source.
- 0 1 0 - Equals source div by 2.
- 0 1 1 - Equals source div by 4, 25% duty cycle.
- 1 0 0 - Equals source div by 4, 75% duty cycle.
- 1 0 1 - Equals source div by 8, 12% duty cycle.
- 1 1 0 - Equals source div by 8, 88% duty cycle.

**Bits 07-04 - EXT\_HOLD**, Extend Processor Hold

Processor execution may be slowed for software compatibility by extending the processor hold request after refresh cycles. If the external TURBO signal is asserted, EXT\_HOLD is forced to 0000. When the external TURBO signal is de-asserted, the EXT\_HOLD returns to its programmed value, allowing an external TURBO switch to slow the processing speed.



## EXT\_HOLD

07 06 05 04

- 0 0 0 0 - No hold extension,  
(Default value).
- 0 0 0 1 - 1  $\mu$ s hold after refresh.
- 0 0 1 0 - 2  $\mu$ s hold after refresh.
- 0 0 1 1 - 3  $\mu$ s hold after refresh.
- 0 1 0 0 - 4  $\mu$ s hold after refresh.
- ↑
- 1 1 0 1 - 13  $\mu$ s hold after refresh.
- 1 1 1 0 - 14  $\mu$ s hold after refresh.
- 1 1 1 1 - 15  $\mu$ s hold after refresh.

**Bits 03-02** - Reserved for future use, must be set to zero

**Bit 01 - SCHH**, Stop CPUCLK at next Halt and Hold.

Featured only in the WD76C10ALP/LV

SCHH is applicable only for 80C286 or Am386SXL type processors in which the clock may be stopped. This option should only be used when the clock source is the WD76C10ALP/LV rather than an external oscillator.

Any unmasked processor interrupt, or NMI, restarts the CPUCLK. The SCHH bit remains set and the clock will be stopped again if a halt and hold condition is detected. The refresh rate may be as programmed by the Refresh Timer at Port Address 041H, or at the slower rate selected by the Refresh Control Register at Port 2072H.

SCHH = 0 -  
Normal processor clock (default value).

SCHH = 1 -  
Stop processor clock at next halt and hold cycle.

**Bit 00 - SCH**, Stop CPUCLK at next Hold  
Featured only in the WD76C10ALP/LV

SCH is applicable only for 80C286 or Am386SXL type processors in which the clock may be stopped. This option should only be used when the clock source is the WD76C10ALP/LV instead of an external oscillator.

Any unmasked processor interrupt, or NMI, restarts the CPUCLK and sets the SCH bit to zero. DRAM refresh continues while the processor clock is stopped. The refresh rate may be as programmed by the Refresh Timer at Port Address 041H, or at the slower rate as selected by the Refresh Control Register at Port 2072H.

SCH = 0 -  
Normal processor clock (Default value).

SCH = 1 -  
Stop processor clock at next processor hold cycle.



## 5.0 AT BUS

This section describes the logic required to control the interrupts and timing between the AT bus and the System Controller.

### 5.1 INTERRUPT MULTIPLEXING

To reduce the number of pins required, the System Controller generates and outputs the MXCTL2-0 and DACKEN signals used by external logic to multiplex the DACKs, DRQs and IRQs down to single inputs. See Figure 5-1.

MXCTL2-0 are set to 100 during a System Reset ( $\overline{RSTIN}$ ) to provide a Bus Reset (BUS\_RST), and to determine the ROM width (ROM8) and processor clock (CPUCLK) pin direction. See Table 5-1.

#### 5.1.1 Data Acknowledge DACK7-5, 3-0

An external 74F138, 3 to 8 Decoder for desktop systems, or 74ACT138, 3 to 8 Decoder for laptop systems, uses MXCTL2-0 to generate the DACK7-5 and DACK3-0, which are applied to the AT bus. The unused combination develops the AT BUS\_RST (bus reset). The decoder is enabled by the DACKEN signal from the System Controller.

#### 5.1.2 Data Request DRQIN

The MXCTL2-0 signals are also used by an external 74F151, 8 to 1 Multiplexer for desktop systems, or 74ACT151, 8 to 1 Multiplexer for laptop systems, to develop the DRQIN signal received by the System Controller. The MXCTL2-0 signals are held stable during DMA transfers.

Immediately following a System Reset ( $\overline{RSTIN}$ ), DRQIN input 100 is sampled. If low, the processor clock (CPUCLK) pin is an output. If high, the CPUCLK starts as an output but is switched to an input shortly after  $\overline{RSTIN}$  is de-asserted. See Table 5-1 and Figure 5-1. This controls the default value of CLK\_SPD in the CPU Clock (CPUCLK) Control Register at Port 1072H. See section 4.2.4.

#### 5.1.3 Interrupt Requests

The Interrupt Requests are multiplexed by the WD76C30. The multiplexing is performed as shown in Table 5-1 and Figure 5-1, and provides the System Controller with the IRQSET1 and IRQSET0 signals.

DRQIN, IRQSET1 and IRQSET0 are sampled by the System Controller at every rising edge of SYSCLK2. This allows all DMA, DRQ and IRQ lines to be sampled within 500 ns, when SYSCLK is 8 MHz.

The ROM8 input is sampled at the completion of a  $\overline{RSTIN}$  to determine ROM data width (ROM8). The RESCPU and A20GT inputs come from the 8042 keyboard controller.

#### 5.1.4 AT Address Bus, Data Bus And Terminal Count (TC) Signal

The AT Address Bus SA19-00 and  $\overline{BHE}$  are generated from A19-00 with external latches and tristate buffers.

The AT Data Bus SD15-00 uses D15-00 and external bidirectional buffers.

The TC signal is generated by an external gate when DACKEN and  $\overline{CSEN}$  are both asserted.

## 5.2 POWER MANAGEMENT CONTROL PMCIN

The power control signals are placed on the PMCIN input pin by way of an eight to one multiplexer, controlled by the MXCTL2-0 signals from the System Controller. In the WD76C10A, the TURBO signal may be connected directly to PMCIN. In the WD76C10ALP/LV, the external 8:1 MUX is always used. See Figure 5-1. Bits 14 and 13 of Port 1872H (Section 5.3) control the power down of the processor and peripheral.



MXCTL 2 1 0	DRQIN	DACKEN	IRQSET0	IRQSET1	PM CIN
0 0 0	DRQ0	DACK0	$\overline{\text{IRQ8}}$	IRQ12	$\overline{\text{TURBO}}$
0 0 1	DRQ1	DACK1	IRQ9	IRQ1	PROC_PWR_GOOD
0 1 0	DRQ2	DACK2	IRQ10	A20GT	LCL_RQ or USER DEF.
0 1 1	DRQ3	DACK3	IRQ11	IRQ3	USER DEF.
1 0 0	CLOCK_ DIR_IN	BUS_RST	ROM8	IRQ4	USER DEF.
1 0 1	DRQ5	DACK5	$\overline{\text{RESCPU}}$	IRQ5	USER DEF.
1 1 0	DRQ6	DACK6	IRQ14	IRQ6	USER DEF.
1 1 1	DRQ7	DACK7	IRQ15	IRQ7	USER DEF.

TABLE 5-1. MXCTL2 - 0 DECODING

5

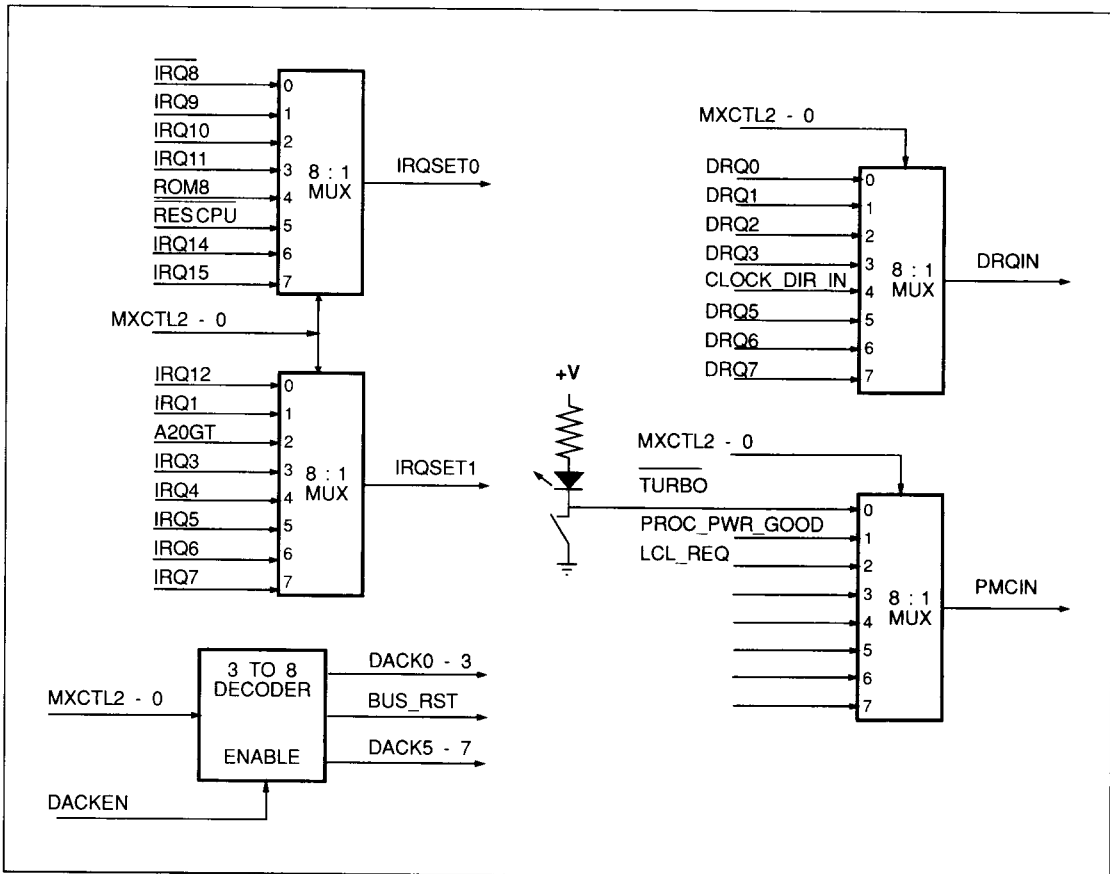


FIGURE 5-1. MXCTL2-0 MULTIPLEXING



5.3 NUMERIC PROCESSOR

5.3.1 Numeric Processor Busy, Bus Timing, And Power Down Register

Port Address 1872H - Read and Write

15	14	13	12	11	10	09	08
NP_BSY	PRO_PD	FPD		BUS_MOD		BRQ_DEL	

07	06	05	04	03	02	01	00
BAK_DEL		WSI 16	WSM 16	WSI8		WSM8	

Signal Name	Default At RSTIN
NP_BSY	0
PRO_PD ☆	0
Bit 12	None
FPD ☆	0
BUS_MOD	00
BRQ_DEL	00
BAK_DEL	11
WSI_16	0
WSM_16	0
WSI8	10
WSM8	10

☆ Featured only in the WD76C10ALP/LV

Bit 15 - NP\_BSY, Numeric Processor Busy

NP\_BSY must be set for systems using an 80286 CPU where the CPU runs faster than the AT bus. This causes BUSYCPU to be asserted early during any CPU write to I/O ports F8H through FFH. BUSYCPU is deasserted at the end of the I/O write if the coprocessor has not asserted its own NPBUSY by this time. Early assertion of BUSYCPU is necessary to prevent a loss of synchronization between the 80286 and 80287. Bit 15 is ignored when an 80386SX is used.

NP\_BSY = 0 -  
Force an early BUSYCPU for I/O writes to coprocessor addresses F8H through FFH. (Default value).

NP\_BSY = 1 -  
Normal BUSYCPU assertion.

Bit 14 - PRO\_PD, Processor Power Down  
Featured only in the WD76C10ALP/LV

When PRO\_PD has been changed from zero to one, a power down sequence for the 80286 or 80386SX processor will be initiated at the next Halt State and the expansion bus will continue to operate normally. The processor should not be powered down if DMA cycles are likely to occur. When PRO\_PD is set and a halt state occurs, the processor inputs are ignored and appear to the WD76C10ALP/LV to be in the passive state.

The input buffers connected to the processor signals do not consume power even if the processor signals do not reach ground. The internal pullups on inputs connecting to the processor are disabled to reduce power. PMC output 5 from Port 7072H (Processor Power Down) is set. This can be used to control the power transistor and turn off the power to the processor. All outputs going to the processor will be tristated.

When an unmasked interrupt, DRQ or NMI occurs, PMC output 5 is reset, re-powering the processor. A voltage comparator should be used to generate a Processor Power Good (PPG) signal. The PPG signal is sampled by bit 01 of the PMC Input Register at Port Address 8872H. When PPG is high, the outputs to the processor are driven and the processor is reset.

PRO\_PD = 0 -  
Normal processor power (Default value).

PRO\_PD = 1 -  
Start processor power down sequence.

Bit 13 - FPD, Full Power Down  
Featured only in the WD76C10ALP/LV

When FPD equals one and a halt state occurs, all processor and peripheral outputs except the PMC, DRAM controls and RA/ED bus are tristated and all inputs except RSTIN, CLK14 and PMC inputs are ignored. CAS before RAS refresh will be performed if enabled by Port 2072H. All circuitry except the PMC and refresh timer logic is stopped and PMC output 7 (Full Power Down) from Port 7072H is set. This enables the powering down of all chips except DRAM, WD76C10ALP/LV, WD76C20, WD76C30 and WD90C20. The WD76C20 provides PDREF





(a 64 KHz refresh signal on input pin 117) during the power down mode. This signal is then gated by the System Controller to the REFRESH signal as an output on pin 32.

When a PMC interrupt occurs, PMC output 7 at Port 7072H is reset, enabling the power up sequence. A CPURES and BUS\_RST (see Figure 5-1) are asserted until the PMCIN 01 PPG at Port 8872H input is high. The tristated outputs are restored and the inputs are no longer masked.

FPD remains a 1 until replaced by a 0.

FPD = 0 -

No power down (Default value).

FPD = 1 -

Full power down and in standby mode.

**Bit 12** - Ignored by the System Controller, may be 0 or 1.

#### Bits 11, 10 - BUS\_MOD, Bus Mode

The System Controller defaults to mode 00 at power up. Therefore, the bus clock (SYSCLK) is controlled by BCLK2 and is asynchronous with CPUCLK (see Figure 4-1). This allows CPUCLK to be faster than SYSCLK and vary without affecting the bus timing. Normally, BCLK2 is either 16 MHz or 32 MHz. SYSCLK is divided by two regardless of the mode selected by BUS\_MOD, and if BCLK2 is 16 MHz at power up, it is divided by two again, providing a SYSCLK clock rate of 4 MHz until programmed to mode 01. In mode 01, the SYSCLK rate is 8 MHz for a BCLK2 of 16 MHz. Both mode 00 and 01 are asynchronous and require the appropriate synchronization delays to be established by BRQ\_DEL and BAK\_DEL of this register.

In modes 10 and 11, the SYSCLK is synchronous with the CPUCLK and synchronization delays are not needed. The bus clock mode may need to be reprogrammed when the processor clock changes.

Refer to Table 5-2 for the appropriate choices according to the CPU type and speed and AT bus speed employed.

#### BUS\_MOD

11 10

- 0 0 - Bus logic uses BCLK2 divided by 2 (Default value).
- 0 1 - Bus logic uses BCLK2 divided by 1.
- 1 0 - Bus logic uses CPUCLK divided by 2.
- 1 1 - Bus logic uses CPUCLK divided by 1.

#### Bits 09, 08 - BRQ\_DEL, Bus Request Delay

An asynchronous AT bus state machine requires a synchronization delay at the start of the bus cycle.

Refer to Table 5-2 for the appropriate choices according to the CPU type and speed and AT bus speed employed.

#### BRQ\_DEL

09 08

- 0 0 - 1 Bus clock delay (Default value)
- 0 1 - .5 Bus clock delay.
- 1 0 - No clock delay.
- 1 1 - Reserved.

#### Bits 07, 06 - BAK\_DEL, Bus Acknowledge Delay

The AT bus state machine has several options available for signaling the CPU control logic that an AT bus cycle has completed. The timing of this signal determines AT bus hold time for the data and address. Proper timing is determined by the CPU speed, AT bus speed and whether they are synchronous or asynchronous. The delay settings listed here are referenced to the trailing edge of the AT command strobe.

Refer to Table 5-2 for the appropriate choices according to the CPU type and speed and AT bus speed employed.

#### BAK\_DEL

07 06

- 0 0 - No delay.
- 0 1 - -.5 Bus clock delay.
- 1 0 - -1 Bus clock delay.
- 1 1 - +.5 Bus clock delay (Default value)

5



**Bit 05 - WSI16, Wait State for 16 bit I/O**

WSI16 = 0 -  
1 Bus clock wait state (Default value).

WSI16 = 1 -  
2 Bus clock wait state

**Bit 04 - WSM16, Wait State for 16 bit Memory**

WSM16 = 0 -  
1 Bus clock wait state (Default value).

WSM16 = 1 -  
2 Bus clock wait state.

**Bits 03, 02 - WSI8, Wait State for 8 bit I/O**

WSI8  
03 02  
0 0 - 2 Bus clock wait state.  
0 1 - 3 Bus clock wait state.  
1 0 - 4 Bus clock wait state (Default value).  
1 1 - 5 Bus clock wait state.

**Bits 01, 00 - WSM8, Wait State for 8 bit Memory**

WSM8  
01 00  
0 0 - 2 Bus clock wait state.  
0 1 - 3 Bus clock wait state.  
1 0 - 4 Bus clock wait state (Default value).  
1 1 - 5 Bus clock wait state.

**5.3.2 Numeric Processor Busy (NPBUSY) Reset**

Port Address 0F0H - Write only

Writing any data to this port resets the 80287 busy signal (de-asserts  $\overline{\text{NPBUSY}}$ ). The data is ignored.

7	6	5	4	3	2	1	0

<b>Signal Name</b>	<b>Default At RSTIN</b>
All signals . . . . .	None

**5.3.3 Numeric Processor Reset (NPRST)**

Port Address 0F1H - Write only

Writing any data to this port asserts NPRST and resets the 80287. The main processor is wait stated for 128 clocks when writing to this port. The data is ignored.

7	6	5	4	3	2	1	0

<b>Signal Name</b>	<b>Default At RSTIN</b>
All signals . . . . .	None

CPU TYPE	CPU SPEED	AT BUS SPEED	AT BUS MODE	BUS MOD	BRQ DEL	BAK DEL
80286	25 MHz	8 MHz	ASync	0X	00	00
	20 MHz	8 MHz	ASync	0X	01	01
	20 MHz	10 MHz	SYnc	10	10	10
	16 MHz	8 MHz	SYnc	10	10	10
	12.5 MHz	8 MHz	ASync	0X	01	10
	10 MHz	10 MHz	SYnc	11	10	10
80386SX	8 MHz	8 MHz	SYnc	11	10	10
	25 MHz	8 MHz	ASync	0X	01	00
	20 MHz	10 MHz	SYnc	10	10	10
	20 MHz	8 MHz	ASync	0X	01	00
	16 MHz	8 MHz	SYnc	10	10	10
	12.5 MHz	8 MHz	ASync	0X	01	10

**TABLE 5-2. BUS TIMING PARAMETERS**



## 5.4 DMA CONTROL

The System Controller contains two DMA controllers. DMA controller #1 is in the I/O address space from 000H to 00FH and is used for 8-bit transfers. DMA controller #2 is in the I/O space from 0C0H to 0DEH and is used for 16-bit transfers. Channel 0 of DMA controller #2 is used to cascade DMA controller #1. Table 5-4 identifies the Controller/Channel location and function.

AT Bus DMA Channel	DMA Controller	Transfer Type
0	#1 Channel 0	8-bit
1	#1 Channel 1	8-bit
2	#1 Channel 2	8-bit
3	#1 Channel 3	8-bit
4	#2 Channel 0	Cascade DMA Cont. #1
5	#2 Channel 1	16-bit
6	#2 Channel 2	16-bit
7	#2 Channel 3	16-bit

TABLE 5-3. DMA TRANSFER TYPES

### 5.4.1 Transfer Modes

Each DMA channel may be programmed in Single Transfer Mode, Block Transfer Mode, Demand Transfer Mode or Cascade Mode.

Refer to Section 5.4.12 - Mode Register, bits 7 and 6 for programming.

#### Demand Mode - 00

In demand mode, a transfer continues to take place until DRQ is de-asserted or a Terminal Count (TC) is reached. If the DRQ is de-asserted, the bus will be released. If DRQ is re-asserted, the transfer will resume. The address and word count behave as in single mode.

#### Single Transfer Mode - 01

In single transfer mode, the channel makes one transfer for each request. The word count is decremented, and the address is incremented or decremented at the end of each transfer. When the word count goes from 0000H to FFFFH, a Terminal Count (TC) is generated. To start a transfer, the DRQ should be asserted until a DACK is received. If the DRQ is asserted through the cycle, only one transfer will take place. The DRQ must

be de-asserted and then re-asserted to start another transfer. The bus is released between transfers.

#### Block Transfer Mode - 10

A transfer is started in block mode by a DRQ and continues until a TC is reached. The DRQ should be held active until DACK is asserted. Block mode should be used with caution since refresh is locked out. The address and word count behave as in single mode.

#### Cascade Mode - 11

Cascade mode is used to cascade DMA controller #2 to DMA controller #1, and for bus master transfers. A channel in cascade mode gets the bus when a DRQ is asserted, but the word count and address are ignored. The channel holds the bus until DRQ is de-asserted. The IOR, IOW, MEMR and MEMW signals must be generated by the bus master device. The addresses from the System Controller are tristated when the MASTER signal is asserted.

5

### 5.4.2 Transfer Types

There are three types of transfers: verify, write and read.

Refer to Section 5.4.12 - Mode Register, bits 3 and 2 for programming.

#### Verify - 00

A verify transfer is a pseudo transfer that does not generate IOR, IOW, MEMR or MEMW signals.

#### Write - 01

A write transfers data from an I/O device to memory.

#### Read - 10

A read transfers data from memory to an I/O device.



### 5.4.3 Autoinitialize

A channel may be programmed to autoinitialize for any transfer type. In this mode, when a TC is reached, the channel is loaded with the original word count and address and is ready to start another transfer.

Refer to Section 5.4.12 - Mode Register, bit 4 for programming.

### 5.4.4 Priority

Each DMA controller has two types of priority, fixed and rotating. For fixed priority, channel 0 has the highest priority and channel 3 has the lowest. In rotating priority, the last channel to be serviced has the lowest priority.

### 5.4.5 Extended Write

In normal timing, the  $\overline{\text{MEMR}}$  or  $\overline{\text{IOR}}$  pulse is two clock cycles and the  $\overline{\text{MEMW}}$  or  $\overline{\text{IOW}}$  is one clock cycle. If extended write is selected, the  $\overline{\text{MEMW}}$  or  $\overline{\text{IOW}}$  will be the same as the  $\overline{\text{MEMR}}$  or  $\overline{\text{IOR}}$ .

### 5.4.6 Base and Current Address

Each channel has a 16-bit base and current address register. The current address register is loaded from the base register when the base register is loaded or when in autoinitialize mode. The current address register is incremented or decremented during a transfer.

Addresses are driven to the bus while  $\overline{\text{REFRESH}}$  is asserted, indicating a refresh cycle. Only address bits A23-A16 (from the page register) and bits A10-A0 (from the refresh counter) are meaningful during refresh. The address counter is incremented on the rising edge of  $\overline{\text{REFRESH}}$ .

### 5.4.7 Base and Current Word Count

Each channel has a 16-bit base and current word count register. The current word count register is loaded from the base register when the base register is loaded or when in autoinitialize mode. The current word count is decremented during a transfer.



I/O Address Hex	Read/Write	DMA Controller	Function
000	Read/Write	1	Channel 0 Address
001	Read/Write	1	Channel 0 Word Count
002	Read/Write	1	Channel 1 Address
003	Read/Write	1	Channel 1 Word Count
004	Read/Write	1	Channel 2 Address
005	Read/Write	1	Channel 2 Word Count
006	Read/Write	1	Channel 3 Address
007	Read/Write	1	Channel 3 Word Count
008	Read	1	Status
008	Write	1	Command Register
009	Write	1	Request Register
00A	Write	1	Single Mask
00B	Write	1	Mode Register
00C	Write	1	Clear Pointer
00D	Write	1	Master Clear
00E	Write	1	Clear Mask
00F	Write	1	Mask All
080-09F			DMA Page Register
0C0	Read/Write	2	Channel 0 Address
0C2	Read/Write	2	Channel 0 Word Count
0C4	Read/Write	2	Channel 1 Address
0C6	Read/Write	2	Channel 1 Word Count
0C8	Read/Write	2	Channel 2 Address
0CA	Read/Write	2	Channel 2 Word Count
0CC	Read/Write	2	Channel 3 Address
0CE	Read/Write	2	Channel 3 Word Count
0D0	Read	2	Status
0D0	Write	2	Command Register
0D2	Write	2	Request Register
0D4	Write	2	Single Mask
0D6	Write	2	Mode Register
0D8	Write	2	Clear Pointer
0DA	Write	2	Master Clear
0DC	Write	2	Clear Mask
0DE	Write	2	Mask All
B872	Read	1, 2	DMA Mode Shadow

TABLE 5-4. DMA CONTROLLER/CHANNEL FUNCTION MAP

**5.4.8 Command Register**

Port Addresses 008H, 0D0H - Write only

The Command Register is reset by RSTIN or by writing any data to Port Address 00DH or 0DAH (see section 5.4.14).

7	6	5	4	3	2	1	0
		EX_W R	RO_P R	0	CO_D IS		

**Signal Name** **Default At RSTIN**  
 All signals . . . . . 0

**Bits 7, 6** - Not used, state is ignored

**Bit 5 - EX\_W**, Extended Write

**Bit 4 - RO\_P**, Rotating Priority

**Bit 3** - Must be set to 0

**Bit 2 - CO\_D**, Controller Disabled

**Bits 1, 0** - Not used, state is ignored

**5.4.9 Status Register**

Port Addresses 008H, 0D0H - Read only

Bits 3-0 are reset by RSTIN, writing any data to Port Address 00DH or 0DAH (see section 5.4.14) or when read by a Status Read Command.

7	6	5	4	3	2	1	0
CH3_D RQ	CH2_D RQ	CH1_D RQ	CH0_D RQ	CH3_T C	CH2_T C	CH1_T C	CH0_T C

**Signal Name** **Default At RSTIN**  
 CH3\_DRQ - CH0\_DRQ . . . . . None  
 CH3\_TC - CH0\_TC . . . . . 0

**Bit 7 - CH3\_DRQ**, Channel 3 DRQ active

**Bit 6 - CH2\_DRQ**, Channel 2 DRQ active

**Bit 5 - CH1\_DRQ**, Channel 1 DRQ active

**Bit 4 - CH0\_DRQ**, Channel 0 DRQ active

**Bit 3 - CH3\_TC**, Channel 3 has reached TC

**Bit 2 - CH2\_TC**, Channel 2 has reached TC

**Bit 1 - CH1\_TC**, Channel 1 has reached TC

**Bit 0 - CH0\_TC**, Channel 0 has reached TC

**5.4.10 Request Register**

Port Addresses 009H, 0D2H - Write only

Each channel may be started by a software request. These requests are not affected by the Mask Register. The Request Register is reset by RSTIN or by writing any data to Port Address 00DH or 0DAH (see section 5.4.14).

7	6	5	4	3	2	1	0
					CRQ	CH#	

**Signal Name** **Default At RSTIN**  
 All signals . . . . . 0

**Bits 7-3** - Not used, state is ignored

**Bit 2 - CRQ**, Channel Requested

**Bits 1, 0 - CH#**, Channel Number Requested

CH# 1 0  
 0 0 - Channel 0  
 0 1 - Channel 1  
 1 0 - Channel 2  
 1 1 - Channel 3

**5.4.11 Mask Registers**

Each channel has a mask bit associated with it. If it is set, the channel is disabled. The bits may be set or reset by software, or set by a Terminal Count (TC) if the channel is not in autoinitialize mode. All the bits are set by a RSTIN, or by writing any data to Port Address 00DH or 0DAH (see section 5.4.14).



**5.4.11.1 Single Mask Register**

Port Addresses 00AH, 0D4H - Write only

7	6	5	4	3	2	1	0
					SE_ MA	CH#	

<b>Signal Name</b>	<b>Default At RSTIN</b>
All signals	1

**Bits 7-3** - Not used, state is ignored

**Bit 2 - SE\_MA**, Set Mask

SE\_MA = 0 - Clear Mask

SE\_MA = 1 - Set Mask

**Bits 1, 0 - CH#**, Channel Number Requested

CH# 1 0  
 0 0 - Channel 0  
 0 1 - Channel 1  
 1 0 - Channel 2  
 1 1 - Channel 3

**5.4.11.2 Clear Mask Register**

Port Addresses 00EH, 0DCH - Write only

Writing any data to this register resets all Masks. The data is ignored.

7	6	5	4	3	2	1	0

<b>Signal Name</b>	<b>Default At RSTIN</b>
All signals	None

**Bits 7-0** - Not used, state is ignored

**5.4.11.3 Mask Multiple Register**

Port Addresses 00FH, 0DEH - Write only

7	6	5	4	3	2	1	0
				CH3_ MA	CH2_ MA	CH1_ MA	CH0_ MA

<b>Signal Name</b>	<b>Default At RSTIN</b>
All signals	1

**Bits 7-4** - Not used, state is ignored

**Bit 3 - CH3\_MA**, Channel 3 Mask

**Bit 2 - CH2\_MA**, Channel 2 Mask

**Bit 1 - CH1\_MA**, Channel 1 Mask

**Bit 0 - CH0\_MA**, Channel 0 Mask

**5.4.12 Mode Register**

Port Addresses 00BH, 0D6H - Write only

This register selects the mode and type of transfer for each channel. Refer to sections 5.4.1 through 5.4.1.4 for a description of the Transfer Modes, sections 5.4.2 through 5.4.2.3 for a description of the Transfer Types and section 5.4.3 for a description of Autoinitialize.

7	6	5	4	3	2	1	0
TRA_ MOD	AD_ DEC	AUTO	TRA_ TYP			CHA# SEL	

<b>Signal Name</b>	<b>Default At RSTIN</b>
All signals	None

**Bits 7, 6 - TRA\_MOD**, Transfer Mode

TRA\_MOD  
 7 6  
 0 0 - Demand  
 0 1 - Single  
 1 0 - Block  
 1 1 - Cascade



**Bit 5 - AD\_DEC, Address Decrement**

AD\_DEC = 0  
Address is incremented.

AD\_DEC = 1  
Address is decremented after each DMA cycle.

**Bit 4 - AUTO, Autoinitialize**

AUTO = 0  
Autoinitialization is disabled.

AUTO = 1  
Autoinitialization is enabled.

**Bits 3, 2 - TRA\_TYP, Transfer Type**

TRA\_TYP

3	2	
0	0	- Verify
0	1	- Write
1	0	- Read
1	1	- Not used

**Bits 1, 0 - CHA#\_SEL, Channel Select**

CHA#\_SEL

1	0	
0	0	- Channel 0
0	1	- Channel 1
1	0	- Channel 2
1	1	- Channel 3

**5.4.13 Clear Pointer Register**

Port Addresses 00CH, 0D8H - Write only

Each DMA controller has a pointer flip flop that indicates which half of the word count or address is being accessed. Each time a word count or address is written or read, the pointer changes state. When the flip flop is reset, bits 7-0 are accessed, and when it is set, bits 15-8 are accessed. The pointer is reset by writing any data to the Clear Pointer Register, or to Port Address 00DH or 0DAH (see section 5.4.14). In either case, the data is ignored.

7	6	5	4	3	2	1	0

<b>Signal Name</b>	<b>Default At RSTIN</b>
All signals . . . . .	None

**Bits 7-0 - Not used, state is ignored**

**5.4.14 Master Clear Register**

Port Addresses 00DH, 0DAH - Write only

Writing any data to the Master Clear Register will:

1. Clear the Command Register
2. Clear the Status Register
3. Clear the Request Register
4. Set the Mask Register
5. Clear the Pointer Flip-Flop

All data is ignored.

7	6	5	4	3	2	1	0

<b>Signal Name</b>	<b>Default At RSTIN</b>
All signals . . . . .	None

**Bits 7-0 - Not used, state is ignored**





**5.4.15 DMA Mode Shadow Register**

Port Address B872H - Read only

This register is particularly useful in laptop applications by allowing the suspend/resume software to restore correct status to on-board devices.

15	14	13	12	11	10	09	08
DMA1 MODE							

07	06	05	04	03	02	01	00
DMA2 MODE							

Signal Name	Default At RSTIN
DMA1 MODE	0
DMA2 MODE	0

**Bits 15-08 - DMA1 MODE**

DMA 1 MODE contains a copy of the data written into the DMA1 Mode Register located at I/O address 00BH (see Table 5-4).

**Bits 07-00 - DMA 2 MODE**

DMA 2 MODE contains a copy of the data written into the DMA2 Mode Register located at I/O address 0D6H (see Table 5-4).

**5.5 SYSTEM CONTROLLER 8259 INTERRUPT CONTROLLERS**

The System Controller contains two interrupt controllers. Interrupt controller #1 is in the I/O space of 020H to 021H and interrupt controller #2 is in the I/O space of 0A0H to 0A1H. Interrupt 2 of interrupt controller #1 is used to cascade interrupt controller #2.

**5.5.1 Interrupt Sequence**

1. When an interrupt arrives from a peripheral device, the interrupt may only be programmed to be edge sensitive. In this mode, the interrupt must go low and high for each interrupt.

The interrupt sets the appropriate bit in the Interrupt Request Register (IRR).

System Interrupt	Interrupt Controller	Use
0	#1 Level 0	Timer
1	#1 Level 1	Keyboard
2	#1 Level 2	Cascade
3-7	#1 Level 3 - 7	AT Bus
8	#2 Level 0	RTC
9-12	#2 Level 1-4	AT Bus
13	#2 Level 5	Co-Processor
14-15	#2 Level 6-7	AT Bus

**TABLE 5-5. INTERRUPT SEQUENCE**

2. If the interrupt has not been masked off, it is passed to the priority circuit. There are three types of priority.

**Fixed**

In fixed priority, interrupt 0 has the highest priority and interrupt 7 has the lowest.

**Automatic Rotation**

In automatic rotation, the last interrupt serviced has the lowest priority.

**Specific Rotation**

In this mode, the lowest priority interrupt can be set by software. The next interrupt will have the highest priority. For example if interrupt 4 is set to the lowest level, the priority will be 5, 6, 7, 0, 1, 2, 3 and 4.

3. The interrupt controller sends an IRQ to the CPU.
4. The CPU responds with an INTA cycle that freezes priority.
5. The CPU sends another INTA, causing the interrupt controller to send a vector to the CPU, set the appropriate bit in the Interrupt Service Register (ISR) and clear the corresponding bit in the IRR, if it is in the edge triggered mode. As long as the bit in the ISR is set, all interrupts at the same level or lower are inhibited unless programmed for special mask mode.



6. An EOI is issued to end the interrupt. This clears the appropriate bit in the Interrupt Service Register. For the slave adapter (interrupt controller #2), two EOI's must be issued. There are three types of EOI's, Specific, Non-specific and Automatic.

### Specific

An EOI is issued by software for a specific interrupt.

### Non-Specific

A non-specific EOI is also issued by software. The hardware generates an EOI for the highest level active interrupt.

### Automatic

An automatic EOI is a non-specific EOI that is caused by the second INTA.

The interrupt controllers may also be operated in a polled mode. In this mode, the CPU is set to disable the interrupt input. In this case, software must issue a poll command. This takes the place of an INTA, and the software can then read the interrupt level to determine the interrupt to be serviced.

When cascading is used and the slave has issued an interrupt, other interrupts from the slave are locked out. If it is desired to preserve priority in the slave (i.e., allow higher interrupts to occur when a lower interrupt is being serviced), Special Fully Nested Mode should be programmed in the master. After a non-specific EOI has been sent to the slave, the ISR should be checked to see whether any other interrupts are active. If there are no interrupts active, a non-specific EOI should be sent to the master.

Interrupt Controller	Address Hex	Function	Read/Write
1	020	ICW1	Write
1	021	ICW2	Write
1	021	ICW3	Write
1	021	ICW4	Write
1	021	OCW1	Write
1	020	OCW2	Write
1	020	OCW3	Write
1	020	IRR	Read
1	020	ISR	Read
1	021	Mask	Read
1	020, 021	Interrupt Level	Read
2	0A0	ICW1	Write
2	0A1	ICW2	Write
2	0A1	ICW3	Write
2	0A1	ICW4	Write
2	0A1	OCW1	Write
2	0A0	OCW2	Write
2	0A0	OCW3	Write
2	0A0	IRR	Read
2	0A0	ISR	Read
2	0A1	Mask	Read
2	0A0, 0A1	Interrupt Level	Read

TABLE 5-6. INTERRUPT CONTROLLER FUNCTION MAP



**5.5.2 Setup - Initialization Command Words (ICW)**

The interrupt controllers are set up by writing a series of Initialization Command Words (ICW). The sequence is started by writing a one to bit 4 of ICW1. If ICW4 is to be included in the sequence, a one must also be written to bit 0 of the ICW1.

**5.5.2.1 ICW1 - Initialization Command Word 1**

Port Addresses 020H, 0A0H - Write only

Bit 4 of this register must be set to 1 or it will be interpreted as OCW2 or OCW3.

7	6	5	4	3	2	1	0
			S_S	L_T		N C_M	ICW 4

**Signal Name** **Default At RSTIN**  
 All signals . . . . . None

**Bits 7-5** - Not used, state is ignored

**Bit 4 - S\_S**, Start Sequence

S\_S Must be set to 1

**Bit 3 - L\_T**, Level Trigger

The Interrupt Controller may be programmed to support Level Sensitive Mode for diagnostic adapters which may need to test this capability.

L\_T = 0 -  
 Edge Triggered Mode is selected.

L\_T = 1 -  
 Level Triggered Mode is selected.  
 EN\_LVL (bit 00) in Port A872H must first be set to 1.

**Bit 2** - Not Used, state is ignored

**Bit 1 - N C\_M**, Not Cascade Mode

N C\_M = 0 -  
 Cascade Mode selected

N C\_M = 1 -  
 Single Mode selected

**Bit 0 - ICW4**, Initialization Control Word 4

ICW4 = 0 -  
 ICW4 not included in sequence  
 ICW4 = 1 -  
 ICW4 is included in sequence

**5.5.2.2 ICW2 - Initialization Command Word 2**

Port Addresses 021H, 0A1H - Write only

7	6	5	4	3	2	1	0
Interrupt Vector							

**Signal Name** **Default At RSTIN**  
 All signals . . . . . None

**Bits 7-3 - Interrupt Vector**

**Bits 2-0** - Not used, state is ignored

**5.5.2.3 ICW3 - Initialization Command Word 3**

Port Addresses 021H - Write only

This address accesses only Interrupt Controller 1.

7	6	5	4	3	2	1	0
0	0	0	0	0	I2 H_L	0	0

**Signal Name** **Default At RSTIN**  
 All signals . . . . . None

**Bits 7-3** - Not used, must be set to 0

**Bit 2 - I2 H\_L**, Interrupt 2 Has Slave

I2 H\_L = 0 -  
 Interrupt 2 does not have the Slave

I2 H\_L = 1 -  
 Interrupt 2 has the Slave

**Bits 1-0** - Not used, must be set to 0



Port Addresses 0A1H - Write only

This address accesses only Interrupt Controller 2.

<b>7</b>	<b>6</b>	<b>5</b>	<b>4</b>	<b>3</b>	<b>2</b>	<b>1</b>	<b>0</b>
0	0	0	0	0	Slave ID		

<b>Signal Name</b>	<b>Default At RSTIN</b>
All signals . . . . .	None

**Bits 7-3** - Not used, must be set to 0

**Bits 2-0 - Slave ID**

**5.5.2.4 ICW4 - Initialization Command Word 4**

Port Addresses 021H, 0A1H - Write only

A Slave does not have ICW4.

<b>7</b>	<b>6</b>	<b>5</b>	<b>4</b>	<b>3</b>	<b>2</b>	<b>1</b>	<b>0</b>
0	0	0	S F N M	0	0	AUT EOI	1

<b>Signal Name</b>	<b>Default At RSTIN</b>
All signals . . . . .	None

**Bits 7-5** - Not used, must be set to 0

**Bit 4 - S F N M**, Special Fully Nested Mode

S F N M = 0 -  
Not Special Fully Nested Mode

S F N M = 1 -  
Special Fully Nested Mode

**Bits 3-2** - Not used, must be set to 0

**Bit 1 - AUT\_EOI**, Auto End Of Interrupt

AUT\_EOI = 0 -  
Normal End Of Interrupt

AUT\_EOI = 1 -  
Automatic End Of Interrupt

**Bit 0** - Not used, must be set to 1

**5.5.3 Operation**

Once the interrupt controllers are set up, they may be programmed by Operation Control Words One through Three (OCW1:3).

**5.5.3.1 OCW1 - Operation Control Word 1**

Port Address 021H, 0A1H - Write only

<b>7</b>	<b>6</b>	<b>5</b>	<b>4</b>	<b>3</b>	<b>2</b>	<b>1</b>	<b>0</b>
INT 7_M	INT 6_M	INT 5_M	INT 4_M	INT 3_M	INT 2_M	INT 1_M	INT 0_M

<b>Signal Name</b>	<b>Default At RSTIN</b>
All signals . . . . .	None

**Bit 7** - Interrupt 7 Mask

**Bit 6** - Interrupt 6 Mask

**Bit 5** - Interrupt 5 Mask

**Bit 4** - Interrupt 4 Mask

**Bit 3** - Interrupt 3 Mask

**Bit 2** - Interrupt 2 Mask

**Bit 1** - Interrupt 1 Mask

**Bit 0** - Interrupt 0 Mask





**5.6 SYSTEM CONTROLLER 8254 TIMER**

The System Controller contains an 8254 equivalent timer containing three independent counters. All the timers run off of a 1.19 MHz clock derived from the 14.318 MHz clock input. The GATE0 and GATE1 signals are tied high. The GATE2 signal is tied to register 61H, bit 0. The counters decrement when counting. The largest possible count is 0.

I/O Address	Use	Read/Write
040H	Timer 0 Count/Status	Read/Write
041H	Timer 1 Count/Status	Read/Write
042H	Timer 2 Count/Status	Read/Write
043H	Control Word	Write

Each counter may be programmed for different counting modes and the count may be read back. To initialize a counter, the Control Word must be written, followed by one or two bytes of count if needed. Refer to Table 5-7 for the correct Control Word Format. Each counter may be programmed to count in BCD or binary.

Timer Channel	Use
0	Time of Day (Interrupt)
1	Refresh Request
2	Speaker

CONTROL WORD (FORMAT 1) - I/O Address 043H - Counter Latch Command			
0	BCD		
1-3	Mode	000	Mode 0
		001	Mode 1
		X10	Mode 2
		X11	Mode 3
		100	Mode 4
		101	Mode 5
4-5	Function	00	Counter Latch Command
		01	Read/Write Low Byte
		10	Read/Write High Byte
		11	Read/Write Low Byte then High Byte
6-7	Counter	00	Counter 0
		01	Counter 1
		10	Counter 2
CONTROL WORD (FORMAT 2) - I/O Address 043H - Read Back Command			
0		0	
1			Select Counter 0
2			Select Counter 1
3			Select Counter 2
4			Latch Status
5			Latch Count
6-7		11	

**TABLE 5-7. CONTROL WORD FORMAT**



### 5.6.1 Setup

Each counter may be set in one of six modes by writing a Control Word (format 1). The Control Word must specify the counter and the number of count bytes to be written. A new count may be written at any time.

#### 5.6.1.1 Mode 0 Interrupt on Terminal Count

The counter starts when the count is loaded. When the count = 0, the counter continues counting from FFFFH in binary mode or 9999 in BCD mode. GATE = 1 enables counting. GATE = 0 disables counting.

OUT goes low when the counter starts. It goes high when the count = 0, and stays high until a new count or mode is written.

If a new count is written while the counter is counting, it will be loaded on the next clock pulse.

#### 5.6.1.2 Mode 1 Hardware Retriggerable One Shot

The counter starts when GATE goes from low to high. When the count = 0, the counter continues counting from FFFFH in binary mode or 9999 in BCD mode.

Any time GATE goes from low to high, the counter is reloaded with the original count and the counter started.

OUT goes low when GATE goes from low to high. It goes high when the count = 0. If a new count is written while the counter is counting, it will be loaded the next time GATE goes from low to high.

#### 5.6.1.3 Mode 2 Rate Generator

The counter starts when the count is loaded. When the count = 0, the counter is reloaded and the counter is started again. GATE = 1 enables counting. GATE = 0 disables counting. If GATE goes from low to high, the counter is reloaded.

OUT is initially high. When the count = 1, OUT goes low for one clock.

If a new count is written while the counter is counting, it will be loaded the next time the count = 0 or when GATE goes from low to high.

#### 5.6.1.4 Mode 3 Square Wave Generator

The counter starts when the count is loaded. When the count = 0, the counter is reloaded and the counter started again. GATE = 1 enables counting. GATE = 0 disables counting. If GATE goes from low to high, the counter is reloaded.

When the counter starts, OUT is high. When the count is half done, OUT goes low. If GATE goes low then OUT will go high.

If a new count is written while the counter is counting, it will be loaded the next time the count = 0 or when GATE goes from low to high.

#### 5.6.1.5 Mode 4 Software Triggered Strobe

The counter starts when the count is loaded. When the count = 0, the counter continues counting from FFFFH in binary mode or 9999 in BCD mode. GATE = 1 enables counting. GATE = 0 disables counting. OUT is initially high. When the count = 0, OUT goes low for one clock.

If a new count is written while the counter is counting, it will be loaded on the next clock pulse.

#### 5.6.1.6 Mode 5 Hardware Triggered Strobe

The counter starts when the count is loaded. When the count = 0, the counter continues counting from FFFFH in binary mode or 9999 in BCD mode. GATE = 1 enables counting. GATE = 0 disables counting. If GATE goes from low to high, the counter is reloaded. OUT is high when the counter starts. When count = 0, OUT goes low for one clock. If a new count is written while the counter is counting, it will be loaded the next time the count = 0 or when GATE goes from low to high.

### 5.6.2 Reading The Counter

There are three ways of reading the counters:

1. The count is read directly. This mode can cause false readings due to the fact that the counter may be changing while it is read.
2. The count may be read via a Counter Latch Command. (See Control Word format 1). This command latches the count so that it may be read without changing.
3. The count may be read via a Read Back Command. (See Control Word format 2). This command is the equivalent of multiple Counter Latch Commands.

### 5.6.3 Reading Status

The status of a counter may be read by issuing a Read Back Command with data bit 4 = 0. (See Control Word format 2). Bits 0-5 are the same as the command word for the counter. Bit 6 tells whether the last count that was written has been loaded into the counter. Bit 7 reflects the state of the OUT pin.

STATUS WORD	
0	BCD
1-3	Mode
4-5	Function
6	New Count Written
7	Out Status

### 5.6.4 Page

The page register is an 8-bit by 16-byte dual-ported RAM. It is used during refresh cycles and to generate address bits 16 to 23 for 8-bit DMA transfers and address bits 17 to 23 for 16-bit DMA transfers. One port of the RAM is a read-only port for DMA or refresh cycles and the other is a read/write port for the 80286 CPU.

### 5.6.5 Refresh Address

This block contains an 11-bit counter that is used for the address during a refresh.





5.7 SYSTEM CONTROLLER DECODE

Address										Decodes	Hex
9	8	7	6	5	4	3	2	1	0		
0	0	0	0	0	X	X	X	X	X	DMA Controller 1 (Ch 0-3)	000-00F
0	0	0	0	1	X	X	X	X	X	Interrupt Controller Master	020-03F
0	0	0	1	0	X	X	X	X	X	Timer	040-05F
0	0	0	1	1	0	X	X	X	1	Port B (PIO)	061-06F (odd)
0	0	0	1	1	1	X	X	X	0	Real-Time Clock (Address)	070-07E (even)
0	0	0	1	1	1	X	X	X	1	Real-Time Clock (Data)	071-07F (odd)
0	0	1	0	0	X	X	X	X	X	Page Register (except 092H)	080-09F
0	0	1	0	0	1	0	0	1	0	ALT 20 GATE, Hot Reset	092
0	0	1	0	1	X	X	X	X	X	Interrupt Controller Slave	0A0-0BF
0	0	1	1	0	X	X	X	X	X	DMA Controller 2 (Ch 4-7)	0C0-0DF

TABLE 5-8. DECODE ADDRESSES

5.7.1 Page Register Decodes

Address	Decode
0087H	DMA Channel 0
0083H	DMA Channel 1
0081H	DMA Channel 2
0082H	DMA Channel 3
008BH	DMA Channel 5
0089H	DMA Channel 6
008AH	DMA Channel 7
008FH	Refresh

TABLE 5-9. PAGE REGISTER DECODES

NOTE

Page register data appears on address bits A23-A16 during refresh and 8-bit DMA cycles. For 16-bit DMA cycles (channels 5-7), the LSB of the page register does not appear.



**5.8 NMI AND REAL-TIME CLOCK**

**5.8.1 Real-Time Clock Address Register**

Port Address 070H-07EH even - Write only

There is only one RTC Address Register. All even number addresses from 070H through 07EH access this register.

<b>7</b>	<b>6</b>	<b>5</b>	<b>4</b>	<b>3</b>	<b>2</b>	<b>1</b>	<b>0</b>
D_NMI	RTC A6	RTC A5	RTC A4	RTC A3	RTC A2	RTC A1	RTC A0

Signal Name	Default At RSTIN
D_NMI	1
RTC6 - RTC0	None

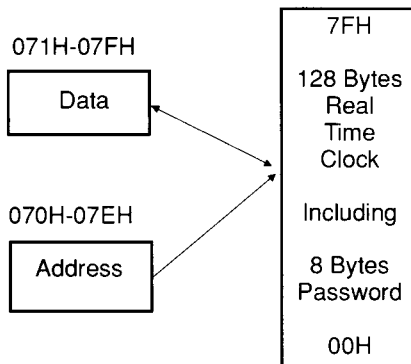
**Bit 7 - D\_NMI**, Disable Non-Maskable Interrupt

D\_NMI = 0 - Non-Maskable Interrupt enabled

D\_NMI = 1 - Non-Maskable Interrupt disabled (Default value)

**Bits 6-0 - RTCA6 through RTCA0**, Real-Time Clock Address

RTCA6 through RTCA0 provide the 128 addresses of the Real-Time Clock area. The data selected by this address is available by reading the RTC Data Register at the odd numbered locations, 071H-07FH.



**5.8.2 Real-Time Clock Data Register**

Port Address 071H-07FH odd - Read and Write

There is only one RTC Data Register. All odd number addresses from 071H through 07FH access this register.

Data is transferred between this register and the memory location selected by the RTC Address Register. The data bus used is selected by bit 15 of the register at Port Address 2872H (refer to section 7.2).

<b>7</b>	<b>6</b>	<b>5</b>	<b>4</b>	<b>3</b>	<b>2</b>	<b>1</b>	<b>0</b>
Real-Time Clock Data							

**5.8.3 Lock Pass, Alternate A20G And Hot Reset**

Port Address 092H - Read and Write

<b>7</b>	<b>6</b>	<b>5</b>	<b>4</b>	<b>3</b>	<b>2</b>	<b>1</b>	<b>0</b>
				LOCK PASS		ALT_A20G	HOT_RST

Signal Name	Default At RSTIN
Bits 7-4, 2	None
LOCK_PASS	0
ALT_A20G	0
HOT_RST	0

**Bit 3 - LOCK\_PASS**

LOCK\_PASS is used to prevent access to the eight byte password located in the Real-Time Clock area. The protected addresses are 38H through 3FH. Before LOCK\_PASS can be set, bit 02 of the register at Port Address 2872H must be set to 0. Once LOCK\_PASS is set, it can only be reset by RSTIN.

LOCK\_PASS = 0 - The eight byte password area is accessible.

LOCK\_PASS = 1 - The eight byte password area is not accessible.



**Bit 1 - ALT\_A20G**, Alternate A20 Gate

Normally, the state of ALT\_A20G is ORed with the external A20GT signal. If either ALT\_A20G or A20GT is high, the A20 line is ungated. If both ALT-A20G and A20GT are low, A20 will be gated low.

As an option, ALT\_A20G may be programmed by the Diagnostic Register at Port Address 9872H to automatically change state to match that of the Keyboard's A20GATE.

**Bit 0 - HOT\_RST**, Hot Reset

A processor reset (CPURES) is generated 128 CPUCLKs after the HOT\_RST changes from a 0 to 1. The CPURES is 16 clock pulses wide.

**5.9 PARITY ERROR AND I/O CHANNEL CHECK**

Port Address 061H- 06FH odd  
 Bits 7-4 - Read only, Bits 3-0 - Read and Write

Odd numbered Port Addresses 061H through 06FH provide access to parity error and I/O Channel Check of the expansion bus.

<b>7</b>	<b>6</b>	<b>5</b>	<b>4</b>	<b>3</b>	<b>2</b>	<b>1</b>	<b>0</b>
PE	ILOCK	OUT 2	REF DT	D_IOC	D_PE	ENSPK	TMR 2G

Signal Name	Default At RSTIN
PE	0
ILOCK	0
OUT2	NA
REFDT	1
D_IOC	0
D_PE	0
ENSPK	0
TMR2G	0

**Bit 7 - PE**, Parity Error (read only)

PE = 0 - No Parity Error  
 PE = 1 - Parity Error

**Bit 6 - ILOCK**, I/O Channel Check from the expansion bus (read only)

ILOCK = 0 - No I/O Channel Check Error  
 ILOCK = 1 - I/O Channel Check Error

**Bit 5 - OUT2**, from timer channel 2 (read only)

OUT2 represents the state of the Timer 2 output.

**Bit 4 - REFDT**, changes state on each refresh (read only)

**Bit 3 - D\_IOC**, Disable I/O Channel Check (read and write)

D\_IOC = 0 - I/O channel check from the expansion bus is not disabled.  
 D\_IOC = 1 - I/O channel check from the expansion bus is disabled.

**Bit 2 - D\_PE**, Disable Parity Error Check (read and write)

D\_PE = 0 - Parity error checking not disabled. This may be overridden by Port Address register 6072H, bit 10 for systems without parity RAM.  
 D\_PE = 1 - Parity error checking disabled

**Bit 1 - ENSPK**, Enable Speaker

ENSPK = 0 - Speaker is not enabled  
 ENSPK = 1 - Speaker is enabled

**Bit 0 - TMR2G**, Gate for Timer Channel 2

TMR2G = 0 - Timer Channel 2 gated low  
 TMR2G = 1 - Timer Channel 2 output enabled



## 6.0 MEMORY AND EMS CONTROL

This section describes the DRAM address bus and the EMS memory configuration and control registers.

### 6.1 DRAM ADDRESS AND DATA BUS

The memory address bus is multi-functional. During DRAM cycles, the DRAM row and column addresses are present on RA10 through RA0. During I/O cycles, RA10, RA9 and RA8 become CS2, CS1 and CS0 and, along with CS3, are used to decode 16 possible Chip Selects. Also, during I/O cycles to devices such as the Keyboard Controller, RA7 through RA0 become the Data Bus bits ED7 through ED0.

The RAS and CAS lines are designed to drive the DRAM array directly without the use of external drivers. RA10 through RA0 are capable of driving 350 pF, the equivalent load of two banks of one bit wide RAM, plus two banks of four bit wide RAM (48 DRAMs).

The  $\overline{W/R}$  signal at pin 119 should be buffered before use. Write protection is accomplished by not asserting CAS to the local DRAM while  $\overline{MEMW}$  at pin 37 is asserted.

The on-board DRAM may be disabled so that external cards such as EMS may provide memory. The DRAM may be disabled in three stages, from 128 Kbyte to 640 Kbyte, 256 Kbyte to 640 Kbyte and 512 Kbyte to 640 Kbyte.

When disabling any on-board DRAM, the register at Port Address 6872H must not be programmed to enable the on-board Lower EMS Page Frame.

All versions of the System Controller provide support for DRAM banks to be independent or two-way page interleaved. DRAM banks that are interleaved must be of the same DRAM size.



## 6.2 MEMORY CONFIGURATION

### 6.2.1 Memory Control

Port Address 3872H - Read and Write

<b>15</b>	<b>14</b>	<b>13</b>	<b>12</b>	<b>11</b>	<b>10</b>	<b>09</b>	<b>08</b>
PG_CAS		CA		PG		ILV	

<b>07</b>	<b>06</b>	<b>05</b>	<b>04</b>	<b>03</b>	<b>02</b>	<b>01</b>	<b>00</b>
SIZE_BNK3		SIZE_BNK2		SIZE_BNK1		SIZE_BNK0	

Signal Name	Default At RSTIN
PG_CAS	0
CA	00
PG	0
ILV	00
SIZE_BNK3	00
SIZE_BNK2	00
SIZE_BNK1	00
SIZE_BNK0	00

#### Bit 15 - PG\_CAS, Page Mode CAS Width

PG\_CAS = 0 - Read CAS pulse width is 2.5 CPUCLK clocks (Default value).

PG\_CAS = 1 - Read CAS pulse width is 2 CPUCLK clocks. This is required for 80386SX Pipeline mode.

**Bit 14** - Reserved for future use, should be set to 0.

#### Bits 13, 12 - CA, Cache Mode

Enabling the Cache Mode adds an additional wait state to the beginning of on-board read cycles. On-board read cycles occur only for cache misses. If the RDYIN signal indicates that the external cache has experienced a zero wait state read hit, the DRAM read cycle is aborted.

Pin 51 of the System Controller serves one of three functions, depending upon the mode selected by CA. Pin 51 may represent the RDYIN (Ready In), CKA (Alternate Clock) or PE (Parity Error).

When CA is changed, a hold acknowledge cycle is required before the change goes into effect.

CA 13 12

- 0 0 - Cache Mode not enabled. Pin 51 may be used as the alternate clock CKA. (Default value)
- 0 1 - Cache Mode enabled. RDYIN at pin 51 indicates discrete cache hit or miss.
- 1 0 - External Memory Controller. Pin 51 becomes PE and is connected to the parity error line of the Discrete Cache controller.
- 1 1 - External Memory Controller. Pin 51 may be used as the alternate clock CKA. When CAS Input Mode is enabled, PE on pin 13 becomes an input and represents an error. (See pin 12 description in Table 3-2 on selecting CAS Mode.)

#### Bit 11 - PG, Page Mode

PG = 0 - Non-page mode (Default value)  
Word interleaving is employed when bank interleaving is enabled by ILV.

PG = 1 - Page mode  
Page mode interleaving is performed when bank interleaving is enabled by ILV.

#### Bits 10-08 - ILV, Interleave

In Non-page Mode (PG = 0), word interleaving is employed. In Page Mode (PG = 1), Page Mode interleaving is used. Four way interleave is only supported in Page Mode with four banks of 4 Mbit × 16 DRAMs installed. Interleave of 64 Kbit × 16 DRAM is not supported by any of the System Controllers.

DRAM banks must be of the same size and assigned the same starting address when they are interleaved together.



## ILV 10 09 08

- 0 0 0 - No interleaving performed
- 0 0 1 - Banks 0 and 1 are interleaved  
Banks 2 and 3 are not  
interleaved  
Banks 0 and 1 must be the  
same size
- 0 1 0 - Banks 0 and 1 are not  
interleaved  
Banks 2 and 3 are interleaved
- 0 1 1 - Banks 0 and 1 are interleaved  
Banks 2 and 3 are interleaved  
(Each pair must be the same  
size. Banks 0 and 1 may be  
a different size from Banks 2  
and 3.)
- 1 0 0 - Page Mode four way interleave  
(Banks 0, 1, 2 and 3 must have  
4 Mbit  $\times$  16 DRAM installed.)

**Bits 07, 06 - SIZE\_BNK3, Size of Bank 3**

All versions of the System Controller support all DRAM sizes. The DRAM sizes may be mixed.

SIZE\_BNK3  
07 06

- 0 0 - 64 Kbit  $\times$  16 (Default value)
- 0 1 - 256 Kbit  $\times$  16
- 1 0 - 1 Mbit  $\times$  16
- 1 1 - 4 Mbit  $\times$  16

**Bits 05, 04 - SIZE\_BNK2, Size of Bank 2**

All versions of the System Controller support all DRAM sizes. The DRAM sizes may be mixed.

SIZE\_BNK2  
05 04

- 0 0 - 64 Kbit  $\times$  16 (Default value)
- 0 1 - 256 Kbit  $\times$  16
- 1 0 - 1 Mbit  $\times$  16
- 1 1 - 4 Mbit  $\times$  16

**Bits 03, 02 - SIZE\_BNK1, Size of Bank 1**

All versions of the System Controller support all DRAM sizes. The DRAM sizes may be mixed.

SIZE\_BNK1  
03 02

- 0 0 - 64 Kbit  $\times$  16 (Default value)
- 0 1 - 256 Kbit  $\times$  16
- 1 0 - 1 Mbit  $\times$  16
- 1 1 - 4 Mbit  $\times$  16

**Bits 01, 00 - SIZE\_BNK0, Size of Bank 0**

All versions of the System Controller support all DRAM sizes. The DRAM sizes may be mixed.

SIZE\_BNK0  
01 00

- 0 0 - 64 Kbit  $\times$  16 (Default value)
- 0 1 - 256 Kbit  $\times$  16
- 1 0 - 1 Mbit  $\times$  16
- 1 1 - 4 Mbit  $\times$  16



**6.2.2 Memory Bank 3 Through Bank 0 Starting Address**

Port Address 4872H - Read and Write

<b>15</b>	<b>14</b>	<b>13</b>	<b>12</b>	<b>11</b>	<b>10</b>	<b>09</b>	<b>08</b>
A24	A23	A22	A21	A20	A19	A18	A17
Bank 1 start address							

<b>07</b>	<b>06</b>	<b>05</b>	<b>04</b>	<b>03</b>	<b>02</b>	<b>01</b>	<b>00</b>
A24	A23	A22	A21	A20	A19	A18	A17
Bank 0 start address							

Port Address 5072H - Read and Write

<b>15</b>	<b>14</b>	<b>13</b>	<b>12</b>	<b>11</b>	<b>10</b>	<b>09</b>	<b>08</b>
A24	A23	A22	A21	A20	A19	A18	A17
Bank 3 start address							

<b>07</b>	<b>06</b>	<b>05</b>	<b>04</b>	<b>03</b>	<b>02</b>	<b>01</b>	<b>00</b>
A24	A23	A22	A21	A20	A19	A18	A17
Bank 2 start address							

The starting address of the bank must be programmed on boundaries corresponding to the bank size. Smaller banks must be placed at a higher starting address than larger banks. The size of the bank is automatically set by the type and size of the RAM. When banks are interleaved, in either page or non-page mode, the interleaved banks should be enabled and programmed to the same starting address.

The bank size is doubled for two-way interleave and quadrupled for four-way interleave. For example, if bank 0 has 256 Kbit DRAMs and banks 2 and 3 have 1 Mbit DRAMs, the starting address for banks 2 and 3 should be zero. Both banks should be enabled. The size of the combined banks is 4 Mbytes, double the size of the individual banks. The starting address for bank 0 should then be at 4 Mbytes. For three banks of the same size, in which two are interleaved, the two interleaved banks must be placed at a lower starting address than the third bank.

**5**

RAM SIZE	PAGE SIZE	BANK SIZE
64 Kbits X 1	512 Bytes	128 Kbytes
256 Kbits X 1	1024 Bytes	512 Kbytes
1 Mbits X 1	2048 Bytes	2048 Kbytes
4 Mbits X 1	4096 Bytes	8192 Kbytes



**6.2.3 Split Starting Address**

Port Address 5872H - Read and Write

<b>15</b>	<b>14</b>	<b>13</b>	<b>12</b>	<b>11</b>	<b>10</b>	<b>09</b>	<b>08</b>
EN_BK3	EN_BK2	EN_BK1	EN_BK0	DRAM_DRV		SPLIT_SIZE	

<b>07</b>	<b>06</b>	<b>05</b>	<b>04</b>	<b>03</b>	<b>02</b>	<b>01</b>	<b>00</b>
A24	A23	A22	A21	A20	A19		

Signal Name	Default At RSTIN
EN_BK3	0
EN_BK2	0
EN_BK1	0
EN_BK0	0
DRAM_DRV	00
SPLIT_SIZE	00
Bits 01, 00	None

**Bit 15 - EN\_BK3, Enable Bank 3**

- EN\_BK3 = 0 - Bank 3 is disabled (Default value)
- EN\_BK3 = 1 - Bank 3 is enabled

**Bit 14 - EN\_BK2, Enable Bank 2**

- EN\_BK2 = 0 - Bank 2 is disabled (Default value)
- EN\_BK2 = 1 - Bank 2 is enabled

**Bit 13 - EN\_BK1, Enable Bank 1**

- EN\_BK1 = 0 - Bank 1 is disabled (Default value)
- EN\_BK1 = 1 - Bank 1 is enabled

**Bit 12 - EN\_BK0, Enable Bank 0**

- EN\_BK0 = 0 - Bank 0 is disabled (Default value)
- EN\_BK0 = 1 - Bank 0 is enabled

**Bits 11, 10 - DRAM\_DRV, DRAM Driver Strength**

The DRAM address driver strength may be adjusted for capacitive load. When adjusted properly, output overshoot and undershoot is minimized while still meeting worst case

DRAM timing. The DRAM RAS, CAS and address buffers also automatically compensate for variations in temperature, voltage and manufacturing process.

**DRAM\_DRV**

- 11 10
- 0 0 - Full strength DRAM address drive, up to 350 pF (Default value)
  - 0 1 - Low strength DRAM address drive, up to 100 pF
  - 1 0 - Medium strength DRAM address drive, up to 180 pF
  - 1 1 - High strength DRAM address drive, up to 260 pF

**Bits 09, 08 - SP\_SIZE, Split Size**

The split is implemented by moving the block of memory between 0A0000H through 0FFFFFFH to another area. The destination area must start on a 512 Kbyte boundary. If BIOS is to be shadowed, the split size must be 320 Kbyte for a 64 Kbyte shadow or 256 Kbyte for a 128 Kbyte shadow, and the RAM Shadow And Write Protect Register (Port 6072H) must also be programmed.

Figure 6-1 illustrates that the memory from 0A0000H (640 Kbyte) to 100000H (1024 Kbyte) is available for remapping. The remapping may start at 100000H, providing 384 Kbyte of extended memory, or may start at 0F0000H to allow BIOS shadowing, with 320 Kbyte of extended memory. Only a single bank may be split. The bank to be split must be at least 512 Kbyte or larger.

**SPLIT\_SIZE**

- 09 08
- 0 0 - No split (Default value)
  - 0 1 - 256 Kbyte split, memory moved from 0A0000H to 0DFFFFFFH
  - 1 0 - 320 Kbyte split, memory moved from 0A0000H to 0EFFFFFFH
  - 1 1 - 384 Kbyte split, memory moved from 0A0000H to 0FFFFFFH

**Bits 07-02 - A24-A19, Split Starting Address**

**Bits 01, 00 - Not used, state is ignored**





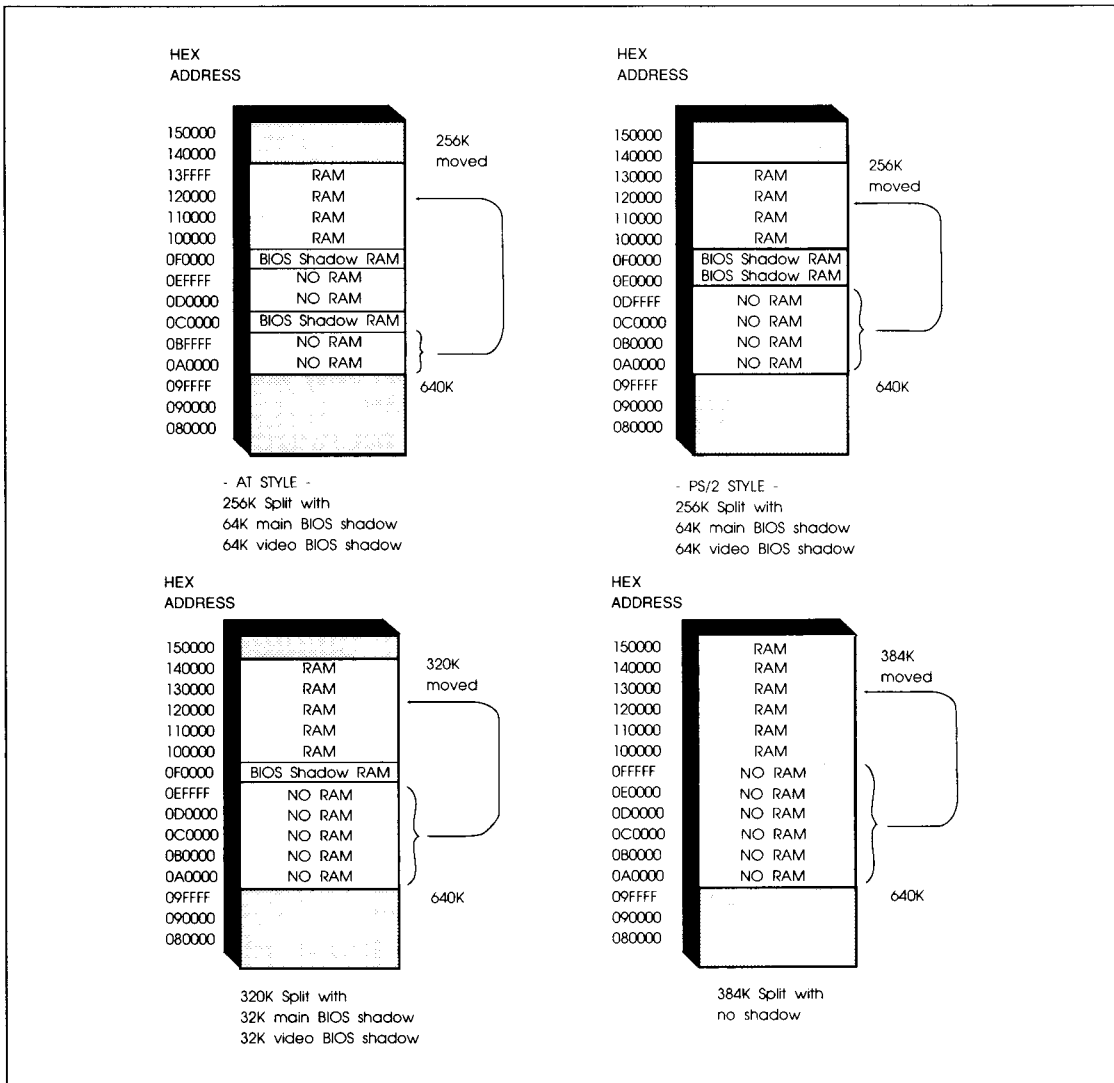


FIGURE 6-1. SPLIT SIZE



**6.2.4 RAM Shadow And Write Protect**

Port Address 6072H - Read and Write

15	14	13	12	11	10	09	08
DIS_MEM		HM_WP	WP	INV_PAR	PAR_DIS	SHD	

07	06	05	04	03	02	01	00
X_MEM		VB_SIZ		ROM_TYP	BL_MOU		

Signal Name	Default At RSTIN
DIS_MEM	00
HM_WP	0
WP	0
INV_PAR	0
PAR_DIS	0
SHD	00
X_MEM	0
Bit 06	None
VB_SIZ	00
ROM_TYP	00
BL_MOU ☆	00

☆ Featured only in the WD76C10ALP/LV

**Bits 15, 14 - DIS\_MEM, Disable On-board Memory**

DIS_MEM	15 14	
0 0		- On-board memory from 128 KB to 640 KB not disabled (Default value).
0 1		- On-board memory from 512 KB to 640 KB disabled.
1 0		- On-board memory from 256 KB to 640 KB disabled.
1 1		- On-board memory from 128 KB to 640 KB disabled.

**Bit 13 - HM\_WP, High Memory Write Protect Enable**

This bit enables the write protection for the memory boundary established by the register at Port C072H.

HM\_WP = 0 - High memory write protect not enabled (Default value).

HM\_WP = 1 - High memory write protect enabled.

**Bit 12 - WP, Shadowed BIOS Write Protect Enable**

WP = 0 - Write protect for shadowed BIOS not enabled (Default value).

WP = 1 - Write protect for shadowed BIOS enabled.

**Bit 11 - INV\_PAR, Invert Parity**

INV\_PAR = 0 - Normal parity when writing to on-board DRAM (Default value).

INV\_PAR = 1 - Invert parity when writing to on-board DRAM.

**Bit 10 - PAR\_DIS, Parity Checking Disabled**

Parity checking is normally enabled or disabled by Port 061H. Setting PAR\_DIS overrides the Port 061H setting and disables parity checking. This ability is provided for systems without parity RAM.

PAR\_DIS = 0 - Parity checking as selected by Port 061H (Default value).

PAR\_DIS = 1 - Parity checking disabled.

**Bits 09, 08 - SHD, Shadow BIOS**

Before the BIOS can be shadowed, the SPLIT\_SIZE field in the Split Starting Address Register at Port 5872H must be programmed to non-zero.

ROM at FE0000H - FFFFFFFH, the top of 16 MByte address space is never shadowed.

Option SHD 11 should be used when Video Remap Function is desired (i.e. Video BIOS in the lower half of EPROM shows up at C0000H).

64 Kbyte of system BIOS at 0F0000H - 0FFFFFFH, and up to 64 Kbyte of video BIOS at 0C0000H - 0CFFFFFFH, may be shadowed. This type of shadowing is accomplished by setting SHD = 10 and then writing the system and video BIOS into 0E0000H - 0FFFFFFH. When SHD is set to 11, the video BIOS appears at 0C0000H - 0CFFFFFFH rather than 0E0000H - 0EFFFFFFH.



The video shadow size at 0C0000H - 0CFFFFH is determined by VB\_SIZ, the video BIOS size field.

**SHD**

09 08

- ☆ 0 0 - No BIOS shadowing, allows 384 KB remap (Default value).
- 0 1 - 64 KB system BIOS shadow, 0F0000H - 0FFFFFFH, allows 320 KB remap.
- 1 0 - 128 KB system BIOS shadow, 0E0000H - 0FFFFFFH, allows 256 KB remap.
- ☆ 1 1 - 64 KB system BIOS shadow, 0F0000 - 0FFFFFF and video BIOS shadow, allows 256 KB remap.

☆ See note following bits 01, 00.

**Bit 07 - X\_MEM, Shadow BIOS for Read/Write Memory**

When SHD (bits 09 and 08) equals 11, X\_MEM provides the means of using RAM from E8000H through EFFFFH not being used for video BIOS shadowing, to be used as read/write memory.

X\_MEM = 0 - SHD = 11  
ROM\_TYP = 10 - VB\_SIZ = 01

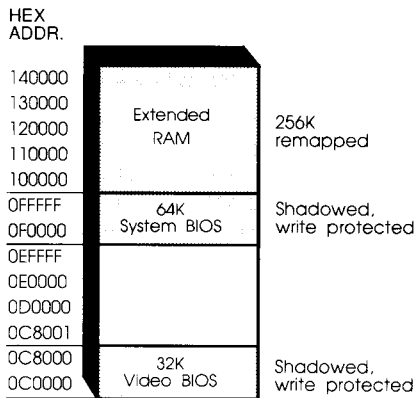


FIGURE 6-2. X\_MEM = 0

X\_MEM = 1 - SHD = 11  
ROM\_TYP = 10 - VB\_SIZE = 01

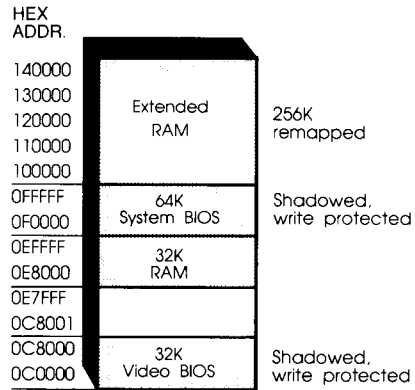


FIGURE 6-3. X\_MEM = 1

**Bit 06** - Not used, state is ignored

**Bits 05, 04 - VB\_SIZ, Video BIOS Size**

VB\_SIZ ☆  
05 04

- 0 0 - 16 KB video BIOS (Default value)
- 0 1 - 32 KB video BIOS
- 1 0 - 48 KB video BIOS
- 1 1 - 64 KB video BIOS

☆ See note following bits 01, 00.

**Bits 03, 02 - ROM\_TYP, ROM Type**

For ROM type 00, CSPROM is asserted when the address is 0E0000H - 0FFFFFFH or FE0000H - FFFFFFFFH.

For ROM type 01, CSPROM is asserted when the address is 0F0000H - 0FFFFFFH or FF0000H - FFFFFFFFH.

For ROM type 10, CSPROM is asserted when the address is 0F0000H - 0FFFFFFH, FF0000H - FFFFFFFFH or 0C0000H - 0CXFFFFH where X is determined by VB\_SIZ. This allows either a 128 Kbyte BIOS with a 64 Kbyte system BIOS and a 64 Kbyte video BIOS, or a 64 Kbyte BIOS with a 32 Kbyte system BIOS and a 32 Kbyte video BIOS. The 32 Kbyte video BIOS portion must be in the bottom half of the EPROM and is accessed both at C0000H - CX000H and F0000H - FX000H. A

64 Kbyte EPROM needs addresses SA15 - SA0. A 128 Kbyte EPROM needs addresses SA16 - SA0. Neither EPROM needs translated addresses.

CSPROM is CS4 through CS0, decoded as the value of 00.

ROM\_TYP

03 02

0 0 - 128 KB system BIOS, located at E0000H - FFFFFH

0 1 - 64 KB system BIOS, located at F0000H - FFFFFH (Default value)

☆ 1 0 - 64 KB or 128 KB shared BIOS System BIOS located at F0000H - FFFFFH, video BIOS located at C0000H - CX000H

1 1 - Reserved

☆ See note following bits 01, 00.

**Bits 01, 00 - BL\_MOU, Backlight Mouse Control**  
Featured only in the WD76C10ALP/LV

Enabling the Backlight Mouse Control increases the CPU speed for one second if Auto Clock Switching is on. The AUT\_FST bit is located at Port 1072H bit 11. Enabling the Backlight Mouse Control also affects the Backlight and LCD timers in the PMC Timer Register at Port Address 8072H.

BL\_MOU

01 00

0 0 - No mouse control (Default value)

0 1 - INT12 mouse

1 0 - INT4 mouse

1 1 - INT3 mouse

☆ **NOTE**

When SHD = 11 and X\_MEM = 0, or SHD = 00 and ROM\_TYP = 10, the portion of 0E0000H DRAM memory that is not mapped to 0C0000H (as determined by VB\_SIZ) is not accessible. Once a portion of 0E0000H segment is mapped to 0C0000H, all 0E0000H accesses go to the expansion bus without generation of CSPROM. This allows AT bus plug-in boards and/or drivers to access the E0000H segment.

**6.2.5 High Memory Write Protect Boundary**

Port Address C072H - Read and Write

15	14	13	12	11	10	09	08

07	06	05	04	03	02	01	00
A24	A23	A22	A21	A20	A19	A18	A17

Signal Name	Default At RSTIN
Bits 15-08	None
A24 - A17	00

**Bits 15-08** - Not used, state is ignored

**Bits 07-00 - A24-A17, Boundary Address**

Memory above the high memory write protect boundary is write protected when enabled by the HM\_WP, bit 13 of the RAM Shadow And Write Protect Register at Port 6072H. This provides an additional write protect region for disk caching.



### 6.3 MEMORY TIMING

The DRAM timing is determined by an internal delay line for DMA and Master Mode transfers. The RAS leading edge becomes active from the active level of MEMR and MEMW. The delay line is automatically tuned to fixed delays, using the 14.318 MHz clock CLK14 as reference.

When writing to the DRAM memory timing register at Port 4072H, the memory timing mode changes immediately. The code that programs this register should be in ROM and not shadowed in RAM.

#### 6.3.1 Non-page Mode DRAM Memory Timing

Port Address 4072H - Read and Write

15	14	13	12	11	10	09	08
NP_MODE		NP_RAW	NP_WCAS	_NP_RCAS			

07	06	05	04	03	02	01	00
NP_RAS_HLD		NP_PWE			NP_WS		

Signal Name	Default At RSTIN
Bits 15, 07	None
NP_MODE	00
NP_RAW	0
NP_WCAS	00
NP_RCAS	00
NP_RAS_HLD	00
NP_PWE	000
NP_WS	00

Bit 15 - Not used, state is ignored

Bits 14, 13 - NP\_MODE, Non-Page Mode

There are two non-page modes available, Mode-00 and Mode-01. Mode-00 provides one processor clock of row address hold time and is used for 1, 2 or 3 wait state memory cycles. Mode-01 provides a half processor clock of row address hold time and is used for 0 wait state memory cycles. Because the memory timing may be adjusted in increments of half a processor clock, Mode-00 is suited for all DRAM and processor speeds.

Mode-01 provides a half processor clock row address hold time, which is usually sufficient for system speeds of 12.5 MHz and slower. This compressed timing allows zero wait state operation.

Table 6-1A shows typically required DRAM speeds and register programming values for various processor speeds. Because DRAM timing varies among manufacturers, the required DRAM speed may differ from those listed in the table.

#### NP\_MODE 14 13

- 0 0 - Minimum 1 wait state.
- 0 1 - Minimum 0 wait state.

PROCESSOR SPEED	NP_MODE	DRAM SPEED	WAIT STATES	REGISTER 4072H
12.5 MHz	01	80 ns	0	3560H
16 MHz	01	53 ns	0	3560H
16 MHz	00	80 ns	1	1025H
20 MHz	00	80 ns	1	1025H
20 MHz	00	100 ns	2	107AH

TABLE 6-1A. TYPICAL DRAM SPEEDS

Bit 12 - NP\_RAW, Non-page disable Read After Write

EMS accesses and interleave miss cycles (I/O cycle to device on RAD) may add one additional wait state.

NP\_RAW = 0 -

Memory read cycles immediately following a write cycle causes an automatic wait state to be added before initiating the read cycle.

NP\_RAW = 1 -

Read after write cycles do not have additional wait states.

Bits 11, 10 - NP\_WCAS, Non-page Write CAS Delay

#### NP\_WCAS 11 10

- 0 0 - CAS write delay 1.0 CLK2
- 0 1 - CAS write delay 1.5 CLK2
- 1 0 - CAS write delay 2.0 CLK2
- 1 1 - CAS write delay 2.5 CLK2



**Bits 09, 08 - NP\_RCAS**, Non-page Read CAS DelayNP\_RCAS  
09 08

- 0 0 - CAS read delay 1.0 CLK2
- 0 1 - CAS read delay 1.5 CLK2
- 1 0 - CAS read delay 2.0 CLK2
- 1 1 - CAS read delay 2.5 CLK2

**Bit 07** - Not used, state is ignored**Bits 06, 05 - NP\_RAS\_HLD**, Non-page CAS to RAS Hold Time

The RAS active delay is reduced by half a clock during writes if NP\_WCAS is set to 1X, or during reads if NP\_RCAS is set to 1X.

NP\_RAS\_HLD  
06 05

- 0 0 - RAS active until 1.0 clock after CAS.
- 0 1 - RAS active until 1.5 clock after CAS.
- 1 0 - RAS active until 2.0 clock after CAS.
- 1 1 - RAS active until 2.5 clock after CAS.

**Bits 04-02 - NP\_PWE**, Non-page CAS Pulse Width Extension

The pulse width is reduced by half a clock during writes if NP\_WCAS is set to X1, or during reads if NP\_RCAS is set to 1X.

NP\_PWE  
04 03 02

- 0 0 0 - No extension (2 CLK2 normal)
- 0 0 1 - Extended by 0.5 CLK2
- 0 1 0 - Extended by 1.0 CLK2
- 0 1 1 - Extended by 1.5 CLK2
- 1 0 0 - Extended by 2.0 CLK2
- 1 0 1 - Extended by 2.5 CLK2
- 1 1 0 - Extended by 3.0 CLK2
- 1 1 1 - Extended by 3.5 CLK2

**Bits 01, 00 - NP\_WS**, Non-page Wait States

NP\_WS makes it possible to unconditionally add wait states to all DRAM cycles. Conditional wait states may be added to read after write cycles, EMS accesses and interleave miss cycles, with NP\_RAW (bit 12).

NP\_WS  
01 00

- 0 0 - No wait states added
- 0 1 - 1 Wait state added
- 1 0 - 2 Wait states added
- 1 1 - 3 Wait states added



TIMING	NUMBER OF CLK2'S	
	MODE-00	MODE-01
Row address to RAS	2	2
RAS width	$3 + NPH + NPHB / 2$	$1 + NPH + NPHB / 2$
Row address hold	1	0.5
Column address setup (read)	$1 + NPRF / 2$	$0.5 + NPRF / 2$
Column address setup (write)	$1 + NPWF / 2$	$1 + NPWF / 2$
RAS hold (read from CAS)	$1 + NPHB / 2 - NPRF / 2 + NPH$	$0.5 - NPRF / 2 + NPH$
RAS hold (write)	$1 + NPHB / 2 - NPWF / 2 + NPH$	$0.5 - NPWF / 2 + NPH$
CAS width (read)	$\textcircled{1} + NPCAS + NPCB / 2 - NPRF / 2$	$\textcircled{1} + NPCAS + NPCB / 2 - NPRF / 2$
CAS width (write)	$\textcircled{1} + NPCAS + NPCB / 2 - NPWF / 2$	$\textcircled{1} + NPCAS + NPCB / 2 - NPWF / 2$
RAS precharge	$2 \times (2 + NP\_WS) - \text{RAS width}$	$2 \times (2 + NP\_WS) - \text{RAS width}$
Column address hold	$1 - NPCB / 2$	$1 - NPCB / 2$
<p><math>\textcircled{1}</math> 2 if NPCAS = 0 or 1                      1 if NPCAS = 2 or 3</p> <p>NPWF = Bit 10      NPRF = Bit 08      NPH = Bit 06      NPHB = Bit 05                      NPCAS = Bits 04, 03      NPCB = Bit 02      NP_WS = Bits 01, 00</p>		

5

TABLE 6-1B. NON-PAGE MODE TIMING



### 6.3.2 Page Mode

Table 6-2. identifies the type of DRAM cycle and number of wait states for the 80286 and 80386SX processors.

	PAGE MODE DRAM CYCLE	WAIT STATES
80286	Write page hit	0
	Write page first access ☆	1
	Write page miss	2
	Read page hit	0
	Read after write page hit	1
	Read page first access ☆	2
	Read page miss	3
80286 With Discrete Cache	Write page hit	0
	Write page first access ☆	1
	Write page miss	2
	Read cache hit	0
	Read cache miss, page hit	1
	Read cache miss, page first access ☆	3
80386SX	Write page hit, pipeline mode	0
	Write page hit, non-pipeline mode	1
	Write page first access, pipeline mode ☆	1
	Write page miss, pipeline mode	2
	Write page miss, non-pipeline mode	3
	Read page hit, pipeline mode	0
	Read page hit, non-pipeline mode	1
	Read after write page hit, pipeline mode ☆	1
	Read page first access non-pipeline mode ☆	3
	Read page miss, pipeline mode	3
	Read page miss, non-pipeline mode	4
80386SX With Discrete Cache, Non-pipe	Write page hit	0
	Write page first access ☆	1
	Write page miss	2
	Read cache hit	0
	Read cache miss, page hit	1
	Read cache miss, page first access ☆	3
Read cache miss, page miss	4	
☆ Equal Bank sizes, non-EMS cycle  First access is a page mode memory cycle which immediately follows a refresh, DMA or master cycle. It is not necessary for the DRAMs to be precharged for a first access cycle, since all RAS signals have been high in the previous cycle. This shortens a first access page mode cycle by one wait state. For example, a read page miss, non-pipeline mode in 80386SX mode is four wait states. A read page miss, non-pipeline mode, <u>first access</u> in 80386SX mode is three wait states. All installed DRAMs must be the same size and configuration and the memory cycle cannot be an EMS cycle for a first access to occur.		

**TABLE 6-2. PAGE MODE WAIT STATES**





### 6.3.3 Memory Address Multiplexer

The memory address multiplexer generates the DRAM row and column address. The DRAM address multiplexer is designed so that the same type socket may be used for 64 Kbyte, 256 Kbyte, 1 Mbyte or 4 Mbyte SIMM memory modules.

	RA10	RA9	RA8	RA7	RA6	RA5	RA4	RA3	RA2	RA1	RA0
	<b>64K NON-INTERLEAVE</b>										
<b>ROW</b>	A22	A20	A18	A16	A15	A14	A13	A12	A11	A10	A9
<b>COL</b>	A11	A10	A9	A8	A7	A6	A5	A4	A3	A2	A1
	<b>64K 2-WAY INTERLEAVE OR 256K NON-INTERLEAVE</b>										
<b>ROW</b>	A22	A20	A18	A16	A15	A14	A13	A12	A11	A10	A17
<b>COL</b>	A11	A10	A9	A8	A7	A6	A5	A4	A3	A2	A1
	<b>64K 4-WAY, 256K 2-WAY INTERLEAVE OR 1 Mb NON-INTERLEAVE</b>										
<b>ROW</b>	A22	A20	A18	A16	A15	A14	A13	A12	A11	A19	A17
<b>COL</b>	A11	A10	A9	A8	A7	A6	A5	A4	A3	A2	A1
	<b>256K 4-WAY, 1 Mb 2-WAY INTERLEAVE OR 4 Mb NON-INTERLEAVE</b>										
<b>ROW</b>	A22	A20	A18	A16	A15	A14	A13	A12	A21	A19	A17
<b>COL</b>	A11	A10	A9	A8	A7	A6	A5	A4	A3	A2	A1
	<b>1 Mb 4-WAY OR 4 Mb 2-WAY INTERLEAVE</b>										
<b>ROW</b>	A22	A20	A18	A16	A15	A14	A13	A23	A21	A19	A17
<b>COL</b>	A11	A10	A9	A8	A7	A6	A5	A4	A3	A2	A1
	<b>4 Mb 4-WAY INTERLEAVE</b>										
<b>ROW</b>	A22	A20	A18	A16	A15	A14	A24	A23	A21	A19	A17
<b>COL</b>	A11	A10	A9	A8	A7	A6	A5	A4	A3	A2	A1
	<b>REFRESH ADDRESS</b>										
<b>ROW</b>	A10	A9	A8	A7	A6	A5	A4	A3	A2	A1	A0

TABLE 6-3. PAGE MODE DRAM ADDRESS MULTIPLEXER CONFIGURATION

	RA10	RA9	RA8	RA7	RA6	RA5	RA4	RA3	RA2	RA1	RA0	
<b>ROW</b>	A11	A10	A9	A8	A7	A6	A5	A4	A3	A2	A1	ALL
<b>COL</b>	A22	A20	A18	A16	A15	A14	A13	A12	A11	A10	A9	64 Kb
<b>COL</b>	A22	A20	A18	A16	A15	A14	A13	A12	A11	A10	A17	256 Kb
<b>COL</b>	A22	A20	A18	A16	A15	A14	A13	A12	A11	A19	A17	1 Mb
<b>COL</b>	A22	A20	A18	A16	A15	A14	A13	A12	A21	A19	A17	4 Mb

**TABLE 6-4. NON-PAGE NON-INTERLEAVE ADDRESS CONFIGURATION**

	RA10	RA9	RA8	RA7	RA6	RA5	RA4	RA3	RA2	RA1	RA0	
<b>ROW</b>	A11	A10	A9	A8	A7	A6	A5	A4	A3	A2	A13	ALL
<b>COL</b>	A22	A20	A18	A16	A15	A14	A17	A12	A11	A10	A9	64 Kb
<b>COL</b>	A22	A20	A18	A16	A15	A14	A19	A12	A11	A10	A17	256 Kb
<b>COL</b>	A22	A20	A18	A16	A15	A14	A21	A12	A11	A19	A17	1 Mb
<b>COL</b>	A22	A20	A18	A16	A15	A14	A12	A23	A21	A19	A17	4 Mb

**TABLE 6-5. NON-PAGE 2-WAY INTERLEAVE ADDRESS CONFIGURATION**



6.4 EMS

6.4.1 EMS Control And Lower EMS Boundary

Port Address 6872H - Read and Write

15	14	13	12	11	10	09	08
INC	PF_LOC			EMS_EN			

07	06	05	04	03	02	01	00
EN_RES	A23	A22	A21	A20	A19	A18	A17
LOWER_EMS_BOUNDARY							

Signal Name	Default At RSTIN
INC	0
PF_LOC	00
Bits 12, 09, 08	None
EMS_EN	00
EN_RES	0
A23-A17	0

Bit 15 - INC, Increment EMS Pointer

The INC bit controls whether or not the EMS Pointer at Port E072H is to be incremented after each read or write of the EMS Page Register at Port E872H.

INC = 0 -

The EMS pointer does not increment (Default value).

INC = 1 -

EMS pointer increments after access to EMS Page Register.

Bits 14-13 - PF\_LOC, Upper Page Frame Location

PF\_LOC determines the starting location of a block eight frames. See Table 6-6 for the upper page frame assignments.

PF\_LOC

14 13

- 0 0 - Upper page frame starts at C4000H (Default value)
- 0 1 - Upper page frame starts at C8000H
- 1 0 - Upper page frame starts at CC000H
- 1 1 - Upper page frame starts at D0000H

Bit 12 - Not used, state is ignored

Bits 11, 10 - EMS\_EN, EMS Enable

EMS\_EN determines whether all EMS frames are to be enabled, only the upper page frames or no page frames. Tables 6-6 and 6-7 show the upper and lower page frame assignments.

EMS\_EN

11 10

- 0 0 - Disable EMS (Default value)
- 0 1 - Enable EMS Register programming without having to enable a Page Frame. This is useful for initializing the lower Page Frame.
- 1 0 - Enable upper Page Frame assignments and EMS register programming.
- 1 1 - Enable upper and lower Page Frame assignments and EMS register programming.

Bits 09, 08 - Not used, state is ignored

Bit 07 - EN\_RES, Enable Lower Boundary

EN\_RES determines whether A23 through A17 (bits 06 through 00 of this register) are to be used as the lower EMS boundary or ignored.

When the LOWER\_EMS\_BOUNDARY is enabled, the memory above the boundary is removed from the extended memory and reserved for EMS.

EN\_RES = 0 -

Ignore LOWER\_EMS\_BOUNDARY (Default value)

EN\_RES = 1 -

Enable LOWER\_EMS\_BOUNDARY

Bits 06-00 - A23-A17, LOWER\_EMS\_BOUNDARY

The lower\_ems\_boundary provides address bits A23 through A17 and determines the starting address.

This address must be set to 128 Kbyte below the actual start address. For example, to start EMS at the 1 Mbyte boundary, this field should be set to 07H.



**6.4.2 EMS Page Register Pointer**

Port Address E072H - Bits 15-06 Read only,  
Bits 05-00 Read and Write

15	14	13	12	11	10	09	08
DLT							
16	15	15	13	12	11	10	9

07	06	05	04	03	02	01	00
DLT		POINTER					
8	7						

<b>Signal Name</b>	<b>Default At RSTIN</b>
DLT	0-0
POINTER	0

The EMS Page Register Pointer is used as an indirect address register. It is loaded with the EMS Page Register Number, ranging from 00 to 39 decimal. If the INC bit is set in Port 6872H, the EMS Page Register Pointer is incremented after each read or write of the EMS Page Register at Port E872H. Tables 6-6 and 6-7 shows the EMS Page Register Pointer value and the page frame assignments.

**Bits 15-06 - DLT, Delay Line Test**

In the Delay Line Test Mode, these bits represent the state of internal Delay Line signals.

The Delay Line Test is initiated by bit 8 (TDL) in the Test Enable Register at Port Address A872H.

**Bits 05-00 - POINTER, EMS Page Register Number**

Decimal number, 00 through 39. When programming this field, the hex equivalent 00 through 27H should be used.

EMS REG NUM	PF_LOC = 00	EMS REG NUM	PF_LOC = 01	EMS REG NUM	PF_LOC = 10	EMS REG NUM	PF_LOC = 11
32	E0000-E3FFF	33	E4000-E7FFF	34	E8000-EBFFF	35	EC000-EFFFF
39	DC000-DFFFF	32	E0000-E3FFF	33	E4000-E7FFF	34	E8000-EBFFF
38	D8000-DBFFF	39	DC000-DFFFF	32	E0000-E3FFF	33	E4000-E7FFF
37	D4000-D7FFF	38	D8000-DBFFF	39	DC000-DFFFF	32	E0000-E3FFF
36	D0000-D3FFF	37	D4000-D7FFF	38	D8000-DBFFF	39	DC000-DFFFF
35	CC000-CFFFF	36	D0000-D3FFF	37	D4000-D7FFF	38	D8000-DBFFF
34	C8000-CBFFF	35	CC000-CFFFF	36	D0000-D3FFF	37	D4000-D7FFF
33	C4000-C7FFF	34	C8000-CBFFF	35	CC000-CFFFF	36	D0000-D3FFF

EMS registers 32 through 39 (decimal) can be individually enabled or disabled by the EN (bit 15) of the EMS Page Register. See Port E872H description.

**TABLE 6-6. UPPER PAGE FRAME ASSIGNMENTS**



EMS REG NUM	HEX	DEC	EMS REG NUM	HEX	DEC
23	5C000-5FFFF	368K-384K	7	9C000-9FFFF	624K-640K
22	58000-5BFFF	352K-368K	6	98000-9BFFF	608K-624K
21	54000-57FFF	336K-352K	5	94000-97FFF	592K-608K
20	50000-53FFF	320K-336K	4	90000-93FFF	576K-592K
19	4C000-4FFFF	304K-320K	3	8C000-8FFFF	560K-576K
18	48000-4BFFF	288K-304K	2	88000-8BFFF	544K-560K
17	44000-47FFF	272K-288K	1	84000-87FFF	528K-544K
16	40000-43FFF	256K-272K	0	80000-83FFF	512K-528K
15	3C000-3FFFF	240K-256K	31	7C000-7FFFF	496K-512K
14	38000-3BFFF	224K-240K	30	78000-7BFFF	480K-496K
13	34000-37FFF	208K-224K	29	74000-77FFF	464K-480K
12	30000-33FFF	192K-208K	28	70000-73FFF	448K-464K
11	2C000-2FFFF	176K-192K	27	6C000-6FFFF	432K-448K
10	28000-2BFFF	160K-176K	26	68000-6BFFF	416K-432K
9	24000-27FFF	144K-160K	25	64000-67FFF	400K-416K
8	20000-23FFF	128K-144K	24	60000-63FFF	384K-400K

EMS registers 0 through 31 (decimal) are enabled or disabled as a block. If the EMS\_EN field of Port 6872H is 11, the EMS registers 0 through 31 are enabled and the EN (bit 15) of the EMS Page Register is treated as a one. See Port E872H description.

5

TABLE 6-7. LOWER PAGE FRAME ASSIGNMENTS



**6.4.3 EMS Page Register**

Port Address E872H - Bits 14-12 Read only,  
Bits 15, 11-00 Read  
and Write

There are 40 EMS Page Registers accessible through Port E872H. Only EMS registers 32 through 39 are initialized to zero. EMS registers 0 through 31 are not initialized. The EMS Page Register Pointer at Port E072H provides the offset location for Port E872H.

<b>15</b>	<b>14</b>	<b>13</b>	<b>12</b>	<b>11</b>	<b>10</b>	<b>09</b>	<b>08</b>
EN	0	0	0	P11	P10	P9	P8

<b>07</b>	<b>06</b>	<b>05</b>	<b>04</b>	<b>03</b>	<b>02</b>	<b>01</b>	<b>00</b>
P7	P6	P5	P4	P3	P2	P1	P0

Signal Name	Default At RSTIN
EN	0
Bits 14-12	0
P11-P0	0

**Bit 15 - EN, Enable EMS Page Register**

EMS Page Registers 32 through 39 can be individually enabled or disabled by the EN bit. EMS Page Registers 0 through 31 are enabled or disabled as a block by the setting of the EMS\_EN field in the EMS Control Register at Port 6872H. When EMS\_EN equals 11, the EN bit in this register is treated as a one for the lower Page Frame.

- EN = 0 -  
This EMS Page Register is disabled
- EN = 1 -  
This EMS Page Register is enabled

**Bits 14-12** - Read only, not used by the System Controller

**Bits 11-00 - P11 through P00, EMS Page Number**

EMS page numbers 8 through 39 and 64 through 2047 are supported for on-board memory, equal to 31.5 MBytes of EMS memory. The memory address is generated by reading the EMS page number from the System Controller and multiplying it by 16 Kbytes, then adding the lower 14 bits of the processor address to the product. This results in EMS page numbers zero through seven being mapped to the lower 128 Kbytes of memory and On-board extended memory being able to be accessed in real mode via the EMS logic.

EMS page numbers 2048 through 2303, equal to 4 MBytes, are used for external EMS memory, providing a method of accessing plug-in RAM or ROM cards. If P11 is 1 when an external EMS access occurs, EMS page number bits P7 through P0 are output on RA0-7/ED0-7 and the EMS chip select is asserted. The RAM/ROM card should access data on the expansion data bus, using MEMR, MEMW, MEMCS16 and IOCHRDY to make the transfer.

**NOTE**

When using external EMS memory with P11 = 1, EN (bit 15) must be 0.



## 7.0 PORT CHIP SELECT AND WD76C10ALP/LV REFRESH

This section describes refresh control logic peculiar to the WD76C10ALP/LV and used by the power down feature. This section also describes the registers used to control the following functions:

- Port chip select and control
- High speed hard disk access
- AT hard disk IDE mode
- 8/16 bit 80287 bus timing
- Real-Time Clock bus location
- Access to the CMOS RAM password

Table 7-1 identifies the ports, their Chip Select number, I/O address and function.

### 7.1 REFRESH CONTROL, SERIAL AND PARALLEL CHIP SELECTS

Port Address 2072H - Read and Write

15	14	13	12	11	10	09	08
M_REF	V_REF	CBR_REF	CBR_SR	SCSI	PAR		PAR_L

07	06	05	04	03	02	01	00
SER_A			SER_AL	SER_B			SER_BL

Signal Name	Default At RSTIN
M_REF ☆	0
V_REF ☆	0
CBR_REF ☆	0
CBR_SR	0
SCSI	0
PAR	00
PAR_L	0
SER_A	000
SER_AL	0
SER_B	000
SER_BL	0

☆ Featured only in the WD76C10ALP/LV

#### Bit 15 - M\_REF, Memory Refresh Power Down Mode

Featured only in the WD76C10ALP/LV

The refresh period may be lengthened for extended refresh DRAM while maintaining bus compatibility. When slow refresh is selected, main on-board memory is refreshed at one eighth the normal rate. In the Full Power Down mode, selected by the FPD bit in the register at Port 1872H, and M\_REF = 1, the on-board DRAM is refreshed with every eighth PDREF. PDREF is a 64 KHz input signal supplied by the WD76C20.

M\_REF = 0 -

Normal refresh period for main on-board memory (Default value).

M\_REF = 1 -

Slow refresh main on-board memory.

#### Bit 14 - V\_REF, Video Refresh Power Down Mode

Featured only in the WD76C10ALP/LV

The refresh period may be lengthened for extended refresh DRAM while maintaining bus compatibility. When slow refresh is selected, main on-board memory is refreshed at one eighth the normal rate. In the Full Power Down mode, selected by the FPD bit in the register at Port 1872H, and V\_REF = 1, the on-board DRAM is refreshed with every eighth PDREF. PDREF is a 64 KHz input signal supplied by the WD76C20.

V\_REF = 0 -

Normal refresh period for video memory (Default value)

V\_REF = 1 -

Slow refresh video memory

#### Bit 13 - CBR\_REF, CAS Before RAS Refresh

For On-board DRAM

Featured only in the WD76C10ALP/LV

Most standard DRAMs support this type of CAS before RAS refresh, while special DRAMs do not.

CBR\_REF = 0 -

Normal refresh for on-board DRAM (Default value)

CBR\_REF = 1 -

CAS before RAS refresh



**Bit 12 - CBR\_SR, CAS Before RAS Self Refresh**

CAS before RAS self refresh is supported only by special DRAMs.

CBR\_SR = 0 -

No CAS before RAS self refresh  
(Default value)

CBR\_SR = 1 -

CAS before RAS self refresh of DRAM is supported during suspend and resume, where CAS is held low continuously while in suspend.

**Bit 11 - SCSI, Small Computer System Interface Chip Select**

The SCSI is selected by chip select number 12. See Table 7-1.

SCSI = 0 -

SCSI chip select disabled  
(Default value)

SCSI = 1 -

SCSI chip select at I/O port 353XH

**Bits 10, 09 - PAR, Parallel Port Chip Select**

The parallel port is selected by chip select number 0FH and may be located at I/O address 278H through 27FH, 378H through 37FH, or 3BCH through 3BFH. Bits 10 and 09 may disable the chip select or locate it at one of three areas. See Table 7-1.

PAR

10 09

0 0 - PAR chip select disabled  
(Default value)

0 1 - PAR chip select at I/O port  
3BCH - 3BFH

1 0 - PAR chip select at I/O port  
378H - 37FH

1 1 - PAR chip select at I/O port  
278H - 27FH

**Bit 08 - PAR\_L, Parallel Port Bus Location**

PAR\_L = 0 -

Parallel port is located on the RA0-7/ED0-7 bus. This is typical when the WD76C30 is used.

PAR\_L = 1 -

Parallel port is located on the expansion data bus.

**Bits 07, 06, 05 - SER\_A, Serial Port A Chip Select**

The serial port A is selected by chip select number 0EH and may be located at I/O address 2E8H through 2EFH, 2F8H through 2FFH, 3E8H through 3EFH or 3F8H through 3FFH. Bits 07, 06, and 05 may disable the chip select or locate it at one of the four areas. See Table 7-1.

It is possible to select the same I/O port address for serial port A and serial port B. Selecting the same address for both ports results in an unpredictable response and should not be done.

SER\_A

07 06 05

0 0 0 - Serial port A chip select disabled (Default value)

0 0 1 - Serial port A chip select at I/O port 3F8H - 3FFH

0 1 0 - Serial port A chip select at I/O port 2F8H - 2FFH

0 1 1 - Serial port A chip select at I/O port 3E8H - 3EFH

1 0 0 - Serial port A chip select at I/O port 2E8H - 2EFH

**Bit 04 - SER\_AL, Serial A Port Bus Location**

SER\_AL = 0 -

Serial port A is located on the RA0-7/ED0-7 bus. This is typical when the WD76C30 is used.

SER\_AL = 1 -

Serial port A is located on the expansion data bus.

**Bits 03, 02, 01 - SER\_B Serial Port B Chip Select**

The serial port B is selected by chip select number 10 and may be located at I/O address 2E8H through 2EFH, 2F8H through 2FFH, 3E8H through 3EFH or 3F8H through 3FFH. Bits 03, 02 and 01 may disable the chip select or locate it at one of the four areas. See Table 7-1.

It is possible to select the same I/O port address for serial port B and serial port A. Selecting the same address for both ports results in an unpredictable response and should not be done.





- SER\_B  
03 02 01
- 0 0 0 - Serial port B chip select disabled (Default value)
  - 0 0 1 - Serial port B chip select at I/O port 3F8H - 3FFH
  - 0 1 0 - Serial port B chip select at I/O port 2F8H - 2FFH
  - 0 1 1 - Serial port B chip select at I/O port 3E8H - 3EFH
  - 1 0 0 - Serial port B chip select at I/O port 2E8H - 2EFH

**Bit 00 - SER\_BL, Serial B Port Bus Location**

- SER\_BL = 0 -  
Serial port B is located on the RA0-7/ED0-7 bus. This is typical when the WD76C30 is used.
- SER\_BL = 1 -  
Serial port B is located on the expansion data bus

**7.2 RTC, PVGA, 80287 TIMING, AND DISK CHIP SELECTS**

Port Address 2872H - Read and Write

Bits 12 through 07 and Port Address 3072H control the use and location of the Programmable Chip Select.

<b>15</b>	<b>14</b>	<b>13</b>	<b>12</b>	<b>11</b>	<b>10</b>	<b>09</b>	<b>08</b>
RTC_L	FST_VGA	FST_SCSI	EN_PCS	U_MSK	L_MSK		

<b>07</b>	<b>06</b>	<b>05</b>	<b>04</b>	<b>03</b>	<b>02</b>	<b>01</b>	<b>00</b>
PRG_L	HS_HD		P/S	HS_287	LK_PSW	DS_HD	DS_FLP

Signal Name	Default At RSTIN
RTC_L	0
FST_VGA	0
FST_SCSI	0
EN_PCS	0
U_MSK	00
L_MSK	00
PRG_L	0

HS HD	000
P/S	000
HS 287	0
LK PSW	0
DS HD	0
DS FLP	0

**Bit 15 - RTC\_L, Real-Time Clock**

The Real-Time Clock is normally on the RA0-7/ED0-7 bus but may be placed on the expansion data bus.

RTC\_L = 0 -  
Real-Time Clock is on the RA0-7/ED0-7 bus (Default value).

RTC\_L = 1 -  
Real-Time Clock is on the expansion data bus. This is the required setting when the WD76C20 is used.

**Bit 14 - FST\_VGA, Fast VGA Video**

The performance of Western Digital Imaging PVGA display controllers may be enhanced by reducing wait states for access to video I/O. This feature should only be used with Western Digital Imaging PVGA1A, WD90C90, WD90C30, WD90C20, WD90C11 and WD90C10 devices. I/O cycles to eight-bit ports 3C0H - 1H, 3C4H - 5H and 3CEH - FH are made with one wait state cycles.

FST\_VGA = 0 -  
Normal PVGA control (Default value)

FST\_VGA = 1 -  
One wait state I/O cycle to PVGA

**Bit 13 - FST\_SCSI, Fast SCSI**

The performance of the WD33C93 SCSI Controller is enhanced by performing eight-bit accesses with one wait state rather than four wait states.

FST\_SCSI = 0 -  
Four Wait States (Default value)

FST\_SCSI = 1 -  
One Wait State

**Bit 12 - EN\_PCS, Enable Programmable Chip Select**

The Programmable Chip Select logic is selected with chip select 11 and may be disabled or enabled. See Table 7-1.



EN\_PCS = 0 -  
Disable Programmable Chip Select  
(Default value)

EN\_PCS = 1 -  
Enable Programmable Chip Select

**Bit 11 - U\_MSK, Upper Address Bits Masked**

U\_MSK determines whether or not the upper address bits A15 through A10 are to be used as designated in the Programmable Chip Select Address Register at Port 3072H.

U\_MSK = 0 -  
A15 through A10 are ignored  
(Default value).

U\_MSK = 1 -  
A15 through A10 are included in the address.

**Bits 10, 09, 08 - L\_MSK, Lower Address Bits Masked**

L\_MSK determines whether the lower four address bits A03 through A00 are to be used as designated in the Programmable Chip Select Address Register at Port 3072H.

L\_MSK  
10 09 08

0 0 0 - A09 through A00 are included in the address (Default value).

0 0 1 - A00 is ignored.

0 1 0 - A00, A01 are ignored.

0 1 1 - A00, A01, A02 are ignored.

1 0 0 - A00, A02, A03 are ignored, A01 is not ignored, ver. A-F. A00, A01, A02 A03 are ignored, WD76C10A and newer.

**Bit 07 - PRG\_L, Programmable Chip Select Bus Location**

PRG\_L = 0 -  
Programmable Chip Select is on the RA0-7/ED0-7 bus (Default value).

PRG\_L = 1 -  
Programmable Chip Select is on the expansion bus.

**Bit 06 - HS\_HD, High Speed Hard Disk Data Transfer Rate**

Enabling the high speed data transfers results in hard disk, 16-bit data transfers to be performed at a compressed timing rate rather than at the compatible bus rate. When operating in the high speed mode, the first data transfer is made at the compatible bus rate. Subsequent accesses to the hard disk port are made at high speed, with IOCS16 ignored and the WD76C20 hard disk chip select remaining stable.

**NOTE**

This feature requires the use of the WD76C20 and should only be used with Western Digital IDE drives WD-AC280, WD-AC140, WD-AC160, WD-AC2120, WD-AP4200, WD-AB130 and WD-AH260.

HS\_HD = 0 -  
Compatible bus timing enabled  
(Default value).

HS\_HD = 1 -  
High speed hard disk accesses enabled.

**Bit 05 - Not used, the state is ignored**

**Bit 04 - P/S, Primary Or Secondary Disk**

The P/S bit is only used to select the floppy disk chip select address in the IDE mode. See Table 7-1, chip select numbers 08H through 0BH.

P/S = 0 -  
Primary hard disk and Floppy address selected (Default value).

P/S = 1 -  
Secondary hard disk and Floppy address selected.

**Bit 03 - HS\_287, Co-processor 80287 High Speed Timing**

Normal I/O read and write access to the 80287 is made with eight bit bus timing. Setting HS\_287 results in 16 bit bus timing.

HS\_287 = 0 -  
Normal 80287 timing (Default value).

HS\_287 = 1 -  
Fast 80287 timing.



**Bit 02 - LK\_PSW**, Prevent Locking Password

Port 092H bit 3 (Lock\_Pass) is used to prevent access to the CMOS RAM password area located at 38H through 3FH. Setting LK\_PSW before attempting to set Lock\_Pass, inhibits the setting of Lock\_Pass. In this instance, it is possible to access the CMOS RAM password area. If Lock\_Pass is set before LK\_PSW, LK\_PSW will have no effect.

LK\_PSW = 0 -

Port 092H bit 3, Lock\_Pass can be set (Default value).

LK\_PSW = 1 -

Port 092H bit 3, Lock\_Pass can not be set.

**Bit 01 - DS\_HD**, Hard Disk Chip Select 0CH, 0DH

DS\_HD = 0 -

Hard disk chip select is enabled (Default value).

DS\_HD = 1 -

Hard disk chip select is not generated.

**Bit 00 - DS\_FLP**, Floppy Disk Chip Select 08H, 09H, 0AH, 0BH

DS\_FLP = 0 -

Floppy disk chip select is enabled (Default value).

DS\_FLP = 1 -

Floppy disk chip select is not generated.

**7.3 PROGRAMMABLE CHIP SELECT ADDRESS**

Port Address 3072H - Read and Write

<b>15</b>	<b>14</b>	<b>13</b>	<b>12</b>	<b>11</b>	<b>10</b>	<b>09</b>	<b>08</b>
A15	A14	A13	A12	A11	A10	A09	A08

<b>07</b>	<b>06</b>	<b>05</b>	<b>04</b>	<b>03</b>	<b>02</b>	<b>01</b>	<b>00</b>
A07	A06	A05	A04	A03	A02	A01	A00

<b>Signal Name</b>	<b>Default At RSTIN</b>
All signals . . . . .	None

**5**

**7.4 CACHE FLUSH**

Port Address F872H - Write only

<b>15</b>	<b>14</b>	<b>13</b>	<b>12</b>	<b>11</b>	<b>10</b>	<b>09</b>	<b>08</b>

<b>07</b>	<b>06</b>	<b>05</b>	<b>04</b>	<b>03</b>	<b>02</b>	<b>01</b>	<b>00</b>

<b>Signal Name</b>	<b>Default At RSTIN</b>
All signals . . . . .	None



## 7.5 I/O PORT ADDRESSES AND CHIP SELECT ASSIGNMENTS

Table 7-1 lists the I/O addresses and chip selects generated for each fixed port type. Address bits A15 through A10 are ignored for the I/O addresses listed with three digits. The ports are listed in the sequence of the chip select value.

PORT	I/O HEX ADDRESS	CS HEX #	FUNCTION
ROM Chip Select	N/A	00	Chip Select For BIOS ROM
Keyboard Control	060 - 06E Even	01	Chip Select For 8042
80287	00E0 - 00FF	02	Chip Select For Numeric Processor
Power Control	7072	03	PMC Write Strobe 0
Reserved		04	Reserved
Real-Time Clock	070	05	RTC ALE
Real-Time Clock	071	06	RTC Write Strobe
Real-Time Clock	071	07	RTC Read Strobe
Floppy Operation Chip Select	3F2 372	08	Primary Address Secondary Address
Floppy Chip Select	3F4, 3F5 374, 375	09	Primary Address Secondary Address
Floppy Control Chip Select	3F7 377	0A	Primary Address Secondary Address (Floppy Enabled, HD Disabled)
Floppy And HD Control Chip Select	3F7 377	0B	Primary Address Secondary Address (Floppy Enabled, HD Enabled)
Hard Disk Chip Select	1F0, 1F1 - 1F7 170, 171 - 177	0C	Primary Address Secondary Address
Hard Disk Chip Select	3F6 3F7 ① 376 377 ①	0D	Primary Address Secondary Address

TABLE 7-1. I/O ADDRESS AND CHIP SELECT ASSIGNMENTS



PORT	I/O HEX ADDRESS	CS ② HEX #	FUNCTION
Serial Port A Chip Select	2E8 - 2EF 2F8 - 2FF 3E8 - 3EF 3F8 - 3FF	0E ②	
Parallel Port 0 Chip Select	278 - 27F 378 - 37F 3BC - 3BF	0F	
Serial Port B Chip Select	2E8 - 2EF 2F8 - 2FF 3E8 - 3EF 3F8 - 3FF	10 ②	
Program Chip Select	PROG	11	
SCSI	3530 - 353X	12	
Cache Flush	F872	13	
EMS	F072 F472	14 15 16	External EMS 48 MHz Clock Disabled 48 MHz Clock Enabled
Power Control	7872	17	PMC Write Strobe 1
Floppy Chip Select	3F0 - 3F1 370 - 371	18	Primary Address Secondary Address
Floppy Chip Select	3F3 373	19	Primary Address Secondary Address
Reserved		1E	Reserved
Reserved		1F	Reserved

① IDE Hard disk enabled, floppy disabled

② The CS # (Chip Select number) is the decoded value of CS4 - CS0. If the programmed chip select corresponds to any other decode, the programmed chip select is suppressed. If serial port A and B are programmed for the same address, serial port B chip select is suppressed.

TABLE 71. I/O PORT ADDRESS CHIP SELECT ASSIGNMENTS Continued



## 8.0 POWER MANAGEMENT CONTROL

The WD76C10A supports only the PMC inputs and GATE A20 PMC output. It does not support any of the PMC interrupt functions. The WD76C10ALP/LV supports all PMC inputs, output and interrupt functions.

### 8.1 SYSTEM ACTIVITY MONITOR (SAM)

The System Activity Monitor (SAM) found in the WD76C10ALP/LV is a hardware solution to monitoring system activity. SAM was conceived to solve the problems associated with system activity detection in various operating environments such as DOS, Windows, OS/2 and VCPI.

With the WD76C10ALP/LV a software approach was employed to determine system activity. This software approach was accomplished using a watchdog timer. As a part of the watchdog timer service, the sources of activity are checked and a determination is then made on the state of system activity. This approach does not consider the state of the system activity between watchdog timer interrupts. However, with SAM, the system activity state is continuously monitored through hardware, thus providing a more universal approach to activity detection.

With the help of SAM it is now possible to:

- Provide a trigger when a pre-programmed period of system inactivity time elapses.
- Enable/disable the sources that constitute system activity.
- Select either coarse or fine timeout values for system inactivity period.

#### System Activity

System activity denotes periods of time in which the system performs useful tasks. The sources Of System Activity are:

- Unmasked pending interrupts.
- Unmasked interrupts in service.
- Access to hard disk data port.
- I/O Access to programmable chip select port.
- DMA transfers.
- Coprocessor cycles.
- A programmable PCU input.

- NMI.

SAM allows for excluding the following interrupt sources from contributing to system activity:

- IRQ 0, used by DOS to keep track of the system time.
- IRQ7, used for spurious interrupts and parallel port interrupts.
- IRQ 8, used by Windows, OS/2 and other multitasking environments to keep the scheduler running.
- A programmable interrupt level used as a power management interrupt.

SAM also takes into account programs such as MOUSE.COM which, in an attempt to locate a mouse on a communication port, generates interrupts on interrupt levels 3 and 4, and leaves them pending. To overcome this problem, SAM allows only the unmasked pending interrupts on 3 and 4 to constitute system activity.

#### Using SAM for System Power Management:

##### a) System Timeout Capability

SAM can be programmed to determine coarse periods of inactivity, with the minimum period as one minute, four seconds, up to a maximum period of 16 minutes. It is also possible to extend the maximum limit to any value by reading the Activity Before bit (ACTBEF) in the Activity Monitor Control Register at Port Address B072H.

On reaching the programmed period, SAM generates a Local Attention signal. Typically, the Local Attention is tied to a power management interrupt. In response to Local Attention, the power management interrupt handler makes it possible to prepare the system for a Suspend operation.

##### b) Responding to a Suspend Request

SAM can be programmed to determine a clean breakpoint for suspending the system upon receiving the Suspend request. At the time the Suspend request is received, it is possible that the system is busy performing an indivisible operation, and it is necessary to wait for the system to finish this indivisible operation before initiating suspend. In order



to do this, control to the CPU must be relinquished for just enough time for the CPU to complete the operation. This is referred as Suspend arbitration.

In addition to performing Suspend arbitration, SAM is also responsible for determining the earliest opportunity to initiate the Suspend sequence. For instance, if a Suspend request is caused by a low battery condition, it is imperative that the system be placed in the suspend state as soon as possible. Here the fine granularity of SAM may be used to determine brief periods of inactivity from as low as 7.8 milliseconds to as high as 117.2 milliseconds, and establish a clean breakpoint for Suspending the system.

#### Advantages of SAM:

1. SAM is a reliable and consistent approach to detecting system activity.
2. SAM is hardware based making it truly non-obtrusive.
3. SAM is independent of the operating environment and the execution mode of the processor.
4. SAM can perform in two modes:
  - Detection of system activity for extended periods of time, for the purposes of system timeout.
  - Detection of brief periods of inactivity for initiating Suspend.
5. Programmability allows for the control of sources of system activity and setting up coarse and fine timeout values.
6. SAM generates a signal called Local Attention (LCL\_ATN) on reaching programmed periods of timeout. This signal is generally tied to an unused IRQ level to invoke the Power Management program.
7. SAM also carries information on DMA activity state. This is used for determining whether it is appropriate to place the processor in the Sleep Mode.
8. SAM makes it possible to read the state of the interrupt controllers and, if needed,

reprogram them on Resume. This is provided to handle the spurious interrupts that are generated by devices at powerup time on Resume.

#### NOTE

SAM cannot be used for determining when the processor should be placed in the Sleep Mode. This determination is intimately tied to the operating environment and is handled by Western Digital's Power Management drivers DOS/VCPI, Windows and OS/2.

## 8.2 PROCESSOR POWER DOWN MODE

The Processor Power Down Mode is initiated by setting bit 13 of the register at Port Address 1872H to one. The CPURES signal is asserted, then tristated. An internal 200K pullup resistor holds the CPURES active. The Processor Power Down (PMC # 5) signal from the PMC Control Register is used to control the power converter from the processor. The WD76C10ALP/LV holds CPUCLK, READY, HOLD, INTRQ and NMI low to the processor.

The same conditions used to restart a stopped clock also initiate the Power Up Mode. The Power Up Mode is entered by an unmasked DRQ, unmasked IRQ interrupt or a PMC input change, resulting in an unmasked NMI to Port 9072H. A Processor Power Good signal is then input on the PMCIN pin. After 1 ms., PMC Processor Power Good signal is checked for a logic 1 state. At this time, CPURES is driven high and the CPUCLK, READY, HOLD, INTRQ and NMI signals are driven to their correct states. CPURES remains asserted for 64 additional CPUCLKs.

The PMC unit is composed of two external chips, 74HCT273 octal latch used for the eight PMC outputs from data bus ED0 - ED7 and a 74HCT151 8:1 multiplexer used for the PMCIN signal. The PMC output latches are cleared at power up (see Figure 5-1).

The keyboard processor may access the WD76C10ALP/LV's internal registers by way of the PMC logic. The keyboard processor starts a local access by asserting LCL\_REQ, which causes PMCIN 2 to be asserted and written in the PMC input register at Port 8872H (see Figure 5-1

and Table 8-2). The WD76C10ALP/LV arbitrates with refresh, DMA and master for a hold cycle from the processor. When the processor returns a hold acknowledge (HLDA), the WD76C10ALP/LV asserts LCL\_ACK (PMC output 3 from Port 7072H) on the ED0 - ED7 data bus. The keyboard processor then passes the opcode/address byte to the WD76C10ALP/LV on the data bus and drops the LCL\_REQ. The WD76C10ALP/LV responds by de-asserting LCL\_ACK.

If the opcode specified a register write, data high (D15 through D08) and data low (D07 through D00), bytes are passed to the WD76C10ALP/LV. If the opcode specified an I/O read, the data high and data low bytes are sent from the WD76C10ALP/LV to the keyboard processor.

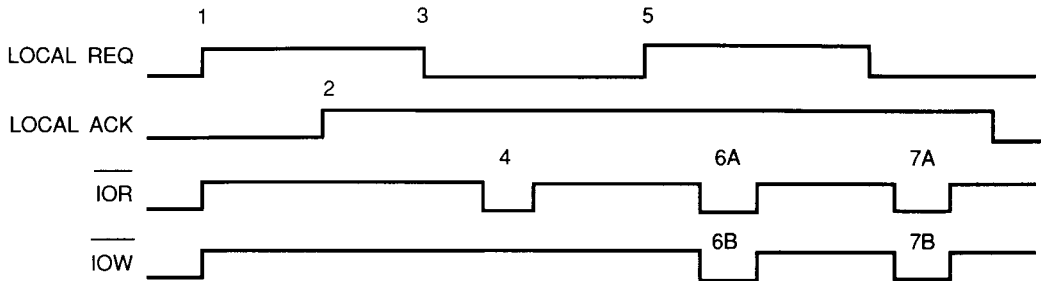
All special operation registers within the WD76C10ALP/LV may be accessed in this manner without first unlocking the register. See section 2.8.2, Port Address F073H, for Lock/Unlock Register. This method allows the keyboard processor to control speed switching and other parameters without host processor intervention.

Figure 8-1 shows the handshake procedure, followed by the keyboard controller and the WD76C10ALP/LV.

Figures 8-2 and 8-3 represents the power down and power up sequence and control.







- 1 8042 Requests local data transfer
- 2 WD76C10ALP/LV returns LOCAL\_ACK after receiving HLDA from the host processor
- 3 8042 loads address and OPCODE into data register, then drops LOCAL\_REQ
- 4 WD76C10ALP/LV reads address and OPCODE
- 5 8042 Reloads data register with high byte, then asserts LOCAL\_REQ
- 6A WD76C10ALP/LV Reads high byte
- 7A WD76C10ALP/LV Read low byte, writes to internal register

FOR READ CYCLE OF WD76C10ALP/LV INTERNAL REGISTER:

- 6B WD76C10ALP/LV Writes high byte to 8042
- 7B WD76C10ALP/LV writes low byte to 8042

OP\_CODE FORMAT

7	6	5	4	3	2	1	0
D I R	R S V	A 1 5	A 1 4	A 1 3	A 1 2	A 1 1	A 1 0

- DIR = 1 - Read register (generates IOW to 8042)
- DIR = 0 - Write register (generates IOR to 8042)

**FIGURE 8-1. REGISTER ACCESS BY KEYBOARD CONTROLLER**

**8.3 PMC OUTPUT CONTROL REGISTERS**

PMC OUTPUT CONTROL 7:0

Port Address 7072H - Bits 07-00 are Read only

15	14	13	12	11	10	09	08

07	06	05	04	03	02	01	00
OUT 7	OUT 6	OUT 5	OUT 4	OUT 3	OUT 2	OUT 1	OUT 0

**Signal Name** **Default At RSTIN**  
 All signals . . . . . None

PMC OUTPUT CONTROL 15:08

Port Address 7872H - Bits 07-00 are Read and Write

15	14	13	12	11	10	09	08

07	06	05	04	03	02	01	00
OUT F	OUT E	OUT D	OUT C	OUT B	OUT A	OUT 9	OUT 8

**Signal Name** **Default At RSTIN**  
 All signals . . . . . None

Featured only in the WD76C10ALP/LV

Featured only in the WD76C10ALP/LV

PMC NO.	PMC OUTPUT SIGNAL PORT 7072H	PMC NO.	PMC OUTPUT SIGNAL PORT 7872H
0H	CPU Clock driver enable	8H	User defined
1H	LCD Enable	9H	User defined
2H	Backlight enabled	AH	User defined
3H	LCL_ACK	BH	User defined
4H	LCL_ATN	CH	User defined
5H	Processor powerdown	DH	User defined
6H	Gate A20	EH	User defined
7H	Full powerdown	FH	User defined

**TABLE 8-1. PMC OUTPUT SIGNALS**



**8.4 PMC TIMERS**

Port Address 8072H - Read and Write

When no keyboard or Mouse interrupts have occurred for the time specified by BL\_TIMEOUT or LCD\_TIMEOUT, PMC Output 1 or 2 is written to the PMC OUTPUT CONTROL 7:0 register at Port Address 7072H (see Table 8-1) to disable the LCD or Backlight. The timer is reset and the Backlight and LCD control re-enabled at the refresh cycle following a Keyboard or Mouse interrupt. The Mouse Interrupts are programmed by bits 01 and 00 (BL\_MOU) in the RAM Shadow And Write Protect Register at Port Address 6072H. The same timer is used for the Backlight and LCD timeout.

The timeout delay may be programmed in increments of five seconds, to a maximum of 1,270 seconds, or 21 minutes and 10 seconds.

15	14	13	12	11	10	09	08
BL_TIMEOUT							

07	06	05	04	03	02	01	00
LCD_TIMEOUT							

Signal Name	Default At RSTIN
BL_TIMEOUT ☆	.0
LCD_TIMEOUT ☆	.0

☆ Featured only in the WD76C10ALP/LV

**Bits 15-08 - BL\_TIMEOUT, Backlight Time Out**

- 00H - Backlight always disabled
- 01H - Enabled for 5 seconds
- 02H - Enabled for 10 seconds



- FEH - enabled for 254 X 5 seconds
- FFH - Backlight enabled

**Bits 07-00 - LCD\_TIMEOUT, LCD Time Out**

- 00H - LCD always disabled
- 01H - Enabled for 5 seconds
- 02H - Enabled for 10 seconds



- FEH - enabled for 254 X 5 seconds
- FFH - LCD enabled



**8.5 PMC INPUTS**

Port Address 8872H - Read and Write

<b>15</b>	<b>14</b>	<b>13</b>	<b>12</b>	<b>11</b>	<b>10</b>	<b>09</b>	<b>08</b>
PMC_UPD	EN_LCL	AF 7	AF 6	AF 5	AF 4	AF 3	AF 2

<b>07</b>	<b>06</b>	<b>05</b>	<b>04</b>	<b>03</b>	<b>02</b>	<b>01</b>	<b>00</b>
IN 7	IN 6	IN 5	IN 4	IN 3	IN 2	IN 1	IN 0

Signal Name	Default At RSTIN
PMC_UPD	0
EN_LCL ☆	0
AF7-AF2 ☆	0
IN7-IN0	None

☆ Featured only in the WD76C10ALP/LV

**Bit 15 - PMC\_UPD, Enable PMC Update**

PMC\_UPD = 0 -  
No update cycles occur.

PMC\_UPD = 1 -  
A change of state of PMC outputs 7 through 0 (Port Address 7072H) or the internal A20 GATE, causes an update cycle of the PMC 7:0 output latch.

**Bit 14 - EN\_LCL, Enable Local Request**  
Featured only in the WD76C10ALP/LV

EN\_LCL enables the PMCIN 2 to initiate a local access of the WD76C10ALP/LV internal registers from the keyboard controller.

EN\_LCL = 0 -  
PMCIN 2 is user defined.

EN\_LCL = 1 -  
PMCIN 2 is LOCAL\_REQ.

**Bits 13-08 - AF7-AF2, Local Attention Flags**  
Featured only in the WD76C10ALP/LV

Local attention flags AF7 through AF2 are set to indicate which PMC input(s) have caused LCL\_ATN in PMC Interrupt Enable Register at Port C872H to be asserted. To clear the flag and corresponding IN bit in the PMC Inputs Register, it is necessary to clear the corresponding EA bit in PMC Interrupt Enable Register. If both an EA bit and EI bit in the PMC Interrupt Enable Register are set, both must be reset to clear the corresponding IN status and AF flag.

AF7 - AF2 = 0 -  
This PMC input did not cause LCL\_ATN to be asserted.

AF7 - AF2 = 1 -  
This PMC input caused LCL\_ATN to be asserted.

**Bits 07-00 - IN7-IN0, PMC Inputs 7-0**

The Activity Monitor Mask Register at Port Address D872H may be used to select one of the PMC inputs IN7 through IN2 as a source of activity for power management purposes.

IN7 through IN0 are status flags which provide information about the corresponding PMC input IN7 through IN0. IN1 and IN0 represent the current state of the input, while IN7 through IN2 represent either the current state or a latched transition. An IN7 through IN2 status is unlatched when both the corresponding EI and EA bits in the PMC Interrupt Enable Register at Port C872H are reset. It becomes a latched status when either the corresponding EI or EA bit is set. See Table 8-2.



**8.6 PMC INTERRUPT ENABLE**

Port Address C872H - Read and Write

<b>15</b>	<b>14</b>	<b>13</b>	<b>12</b>	<b>11</b>	<b>10</b>	<b>09</b>	<b>08</b>
E17	E16	E15	E14	E13	E12		
Non-maskable Interrupt Enable							

<b>07</b>	<b>06</b>	<b>05</b>	<b>04</b>	<b>03</b>	<b>02</b>	<b>01</b>	<b>00</b>
EA7	EA6	EA5	EA4	EA3	EA2		
Local Attention Enable							

<b>Signal Name</b>	<b>Default At RSTIN</b>
E17-E12 ☆	0
EA7-EA2 ☆	0

☆ Featured only in the WD76C10ALP/LV

**Bits 15-10 - E17-E12, Non-maskable Interrupt enable 7 through 2**  
 Featured only in the WD76C10ALP/LV

E17 through E12 enable the generation of an NMI when the corresponding PMC inputs IN\_7 through IN\_2 in Port 8872H change state. For example, when E17 is a 1 and IN\_7 changes from a 0 to 1 an NMI will be generated.

E17-E12 = 0 -  
 Non-maskable Interrupt not enabled

E17-E12 = 1 -  
 Non-maskable Interrupt is enabled

**Bits 09, 08 - Not used, state is ignored**

**Bits 07-02 - EA7-EA2, Local Attention Enable**  
 Featured only in the WD76C10ALP/LV

EA7 through EA2 enable the assertion of LCL\_ATN by the corresponding IN\_7 through IN\_2. LCL\_ATN is PMC output number 4.

EA7-EA2 = 0 -  
 LCL\_ATN is not enabled

EA7-EA2 = 1 -  
 LCL\_ATN is enabled

**Bits 01, 00 - Not used, state is ignored**



PMC INPUT NUMBER ①	PMC INPUT NAME	INTERRUPT ON	SETS FLAG NUMBER ②
00H	TURBO		
01H	PROC_PWR_GOOD		
02H	LCL_REQ or User Defined	Transition	IF2 or AF2
03H	User Defined	Transition	IF3 or AF3
04H	User Defined	Transition	IF4 or AF4
05H	User Defined	Transition	IF5 or AF5
06H	User Defined	Transition	IF6 or AF6
07H	User Defined	Active Edge	IF7 or AF7

① Port Address 8872H, section 8.5  
 ② Port Address 9072H, section 8.7  
 Port Address 8872H, section 8.5

**TABLE 8-2. PMCIN INPUTS**



**8.7 NMI STATUS**

Port Address 9072H - Read and Write

<b>15</b>	<b>14</b>	<b>13</b>	<b>12</b>	<b>11</b>	<b>10</b>	<b>09</b>	<b>08</b>
0	0	0	0	0	0	0	0

<b>07</b>	<b>06</b>	<b>05</b>	<b>04</b>	<b>03</b>	<b>02</b>	<b>01</b>	<b>00</b>
IF7	IF6	IF5	IF4	IF3	IF2	0	0
Non-maskable Interrupt Flags							

Signal Name	Default At RSTIN
IF7-IF2 ☆	0-0

☆ Featured only in the WD76C10ALP/LV

**Bits 15-08** - Not used, must be 0

**Bits 07-02 - IF7-IF2**, Non-maskable Interrupt flags 7 through 2  
Featured only in the WD76C10ALP/LV

NMI interrupt flags IF7 through IF2 are set to indicate which PMC input(s), if any, have caused NMI to be asserted. To reset the flag and corresponding IN status bit in the PMC Input Register at Port 8872H, it is necessary to reset the corresponding bit in the PMC Interrupt Enable Register at Port C872H. If both an EA bit and EI bit in the PMC Interrupt Enable Register are set, both must be reset to clear the corresponding IN status and IF flag.

**Bits 01, 00** - Not used, must be 0

**8.8 SERIAL/PARALLEL SHADOW REGISTER**

Port Address D072H - Read only

The Shadow Register is particularly useful in laptop applications by allowing the suspend/resume software to restore correct status to on-board serial and parallel devices.

<b>15</b>	<b>14</b>	<b>13</b>	<b>12</b>	<b>11</b>	<b>10</b>	<b>09</b>	<b>08</b>
SP_A		SP_B		PP_2			

<b>07</b>	<b>06</b>	<b>05</b>	<b>04</b>	<b>03</b>	<b>02</b>	<b>01</b>	<b>00</b>
PP_0							

Signal Name	Default At RSTIN
All signals	None

**Bits 15, 14 - SP\_A**, Serial Port A Register 2

This field represents bits 7 and 6 of Serial Port A Register 2.

**Bits 13, 12 - SP\_B**, Serial Port B Register 2

This field represents bits 7 and 6 of Serial Port B Register 2.

**Bits 11-08 - PP\_2**, Parallel Port Register 2

This field represents bits 3-0 of Parallel Port Register 2

**Bits 07-00 - PP\_0**, Parallel Port Register 0

This field represents bits 7-0 of Parallel Port Register 0.



**8.9 INTERRUPT CONTROLLER SHADOW REGISTER**

Port Address D472H - Read only

When performing a resume operation, it may be advantageous to reset and reinitialize the interrupt controllers in the WD76C10A/LP/LV. Since many of the interrupt control registers are write only, it is impossible to determine the state of the interrupt controllers at suspend time. This register makes it possible to determine the state of selected signals internal to the master and slave interrupt controllers. With this information, when the interrupt control registers are reinitialized during resume, they can be returned to the state in which they were before suspend.

ICW2, ICW4, OCW2 and OCW3 referred to in this text is further defined in sections 5.5.2.2, 5.5.2.4, 5.5.3.2 and 5.5.3.3.

<b>15</b>	<b>14</b>	<b>13</b>	<b>12</b>	<b>11</b>	<b>10</b>	<b>09</b>	<b>08</b>
AMT OUT	DEV		TM7	TS7	S F N M	AUT_ EOI	RA_ EOI

<b>07</b>	<b>06</b>	<b>05</b>	<b>04</b>	<b>03</b>	<b>02</b>	<b>01</b>	<b>00</b>
PLM2 Priority	PLM1 Level	PLM0 Master	PLS2 Priority	PLS1 Level	PLS0 Slave	SMM M	SMM S

Signal Name	Default At RSTIN
Bits 15, 12-00	None
Bits 14, 13	00

**Bit 15 - AMTOUT, Activity Monitor Timeout**

AMTOUT represents the current state of the timeout comparator in the activity monitor. It is for test purposes only

**Bits 14, 13 - DEV, Device**

DEV identifies the device as WD76C10A/LP/LV or WD7710 and is used in conjunction with VER at Port Address 9872H and SVER at Port Address A872H. DEV, VER and SVER are defined in Table 9.1.

**Bit 12 - TM7, Master Interrupt Vector Bit 7**

TM7 represents bit 7 of the Interrupt Vector in the Master Interrupt Controller as set by ICW2. Bits 6 through 3 of the Interrupt Vector may be read from D6 through D3 by a Poll Command to the Master Interrupt Controller. The Poll Command is implemented by P\_C = 1 (bit 2 of OCW3).

**Bit 11 - TS7, Slave Interrupt Vector Bit 7**

TS7 represents bit 7 of the Interrupt Vector in the Slave Interrupt Controller as set by ICW2. Bits 6 through 3 of the Interrupt Vector may be read from D6 through D3 by a Poll Command to the Slave Interrupt Controller. The Poll Command is implemented by P\_C = 1 (bit 2 of OCW3).

**Bit 10 - SFNM, Special Fully Nested Mode**

SFNM represents the state of ICW4 - bit 4 in the Master Interrupt Controller. The WD76C10A/LP/LV does not require SFNM for the slave interrupt controller and ignores its state.

**Bit 09 - AUT\_EOI, Auto End Of Interrupt**

AUT\_EOI represents the state of ICW4 - bit 1 in the Master Interrupt Controller. The WD76C10A/LP/LV does not require AUT\_EOI for the slave interrupt controller and ignores its state.

**Bit 08 - RA\_EOI, Rotate Auto End Of Interrupt**

RA\_EOI indicates whether or not Rotate On Automatic End Of Interrupt has been selected in the Master Interrupt Controller by EOI\_CONT (bits 7 through 5 of OCW2). The WD76C10A/LP/LV does not require Rotate On End Of Interrupt for the slave interrupt controller and ignores its state.

RA\_EOI = 0 -

Rotate On Auto End Of Interrupt has not been selected.

RA\_EOI = 1 -

Rotate On Auto End Of Interrupt has been selected.

**Bits 07-05 - PLM2-PLM0, Priority Level Master**

PLM2-PLM0 represent the bottom priority level programmed into the Master Interrupt Controller by INT\_LEV (OCW2 bits 2 through 0).



**Bits 04-02 - PLS2-PLS0, Priority Level Slave**

PLS2-PLS0 represent the bottom priority level programmed into the Slave Interrupt Controller by INT\_LEV (OCW2 bits 2 through 0).

**Bit 01 - SMMM, Special Mask Mode Master**

SMMM indicates whether Special Mask Mode has been set in the Master Interrupt Controller by a write to SMM in OCW3.

SMMM = 0 -  
Special Mask Mode is not enabled.

SMMM = 1 -  
Special Mask Mode is enabled.

**Bit 00 - SMMS, Special Mask Mode Slave**

SMMS indicates whether Special Mask Mode has been set in the Slave Interrupt Controller by a write to SMM in OCW3.

SMMS = 0 -  
Special Mask Mode is not enabled.

SMMS = 1 -  
Special Mask Mode is enabled.

**8.10 PORT 70H SHADOW REGISTER**

Port Address E472H - Read only

Bits 15 and 14 provide the information required to generate software delays, without incurring the operating system traps that result from accessing I/O Port 0061H in virtual 86 mode. Port 70H Shadow Register may be accessed without first being unlocked, making it possible to read bits 15 and 14 frequently for generating time delays.

Bits 13 and 12 provide interrupt and DMA status information required to determine when the processor may be placed in Sleep Mode.

Bits 07 through 00 provide a means of determining the contents of the write only Real-Time Clock Address Register at Port 0070H, described in section 5.8.1. Since it is necessary to access the Real-Time Clock CMOS RAM during suspend and resume operations, the Port 70H Shadow Register makes it possible to restore the Real-Time Clock to the state in which it was before entering Suspend Mode.

15	14	13	12	11	10	09	08
CLK 32K	REF DT	INT RQ	NO DMA	Reserved			

07	06	05	04	03	02	01	00
I/O Port 0070H Shadow							
D_ NMI	RTC A6	RTC A5	RTC A4	RTC A3	RTC A2	RTC A1	RTC A0

Signal Name	Default At RSTIN
D_NMI	.1
Bits 11-08	.0-0
All other signals	.None

**Bit 15 - CLK32K**

CLK32K is PDREF (at input pin 117) divided by two. CLK32K may be read to provide a stable timing reference, not subject to reprogramming of the refresh rate. CLK32K has a 30.5 μs period and a 50% duty cycle.

**Bit 14 - REFDT, Refresh Detect**

REFDT changes state on each refresh and is the same as bit 4 in Port Address 0061H described in section 5.9.

**Bit 13 - INTRQ, Interrupt Request**

This is the state of the INTRQ signal at output pin 55.

**Bit 12 - NODMA, No DMA**

NODMA = 0 -  
A DMA or Bus Master Cycle has occurred within the last 61 μs

NODMA = 1 -  
A DMA or Bus Master Cycle has not occurred within the last 30.5 μs

**Bits 11-08 - Reserved.** Currently defaults to 0000, but is subject to change.

**Bits 07-00 -**

**D\_NMI, Disable Non-maskable Interrupt**  
**RTCA6-RTCA0, Real-Time Clock Address**

Bits 07 through 00 represent the state of the Disable Non-maskable Interrupt and Real-Time Clock Address as set by the last write to Port Address 0070H.





**8.11 ACTIVITY MONITOR CONTROL REGISTER**

Port Address B072H - Bits 15, 13-11, 08-00 Read and Write  
 Bits 14, 10, 09 Read only

For an overview of the Activity Monitor Register, see the general description of the Activity Monitor Mask Register in section 8.12.

<b>15</b>	<b>14</b>	<b>13</b>	<b>12</b>	<b>11</b>	<b>10</b>	<b>09</b>	<b>08</b>
IRR AE	CB12	AM TM	ACT LCH	IND ET	ACT AFT	ACT BEF	AM EN

<b>07</b>	<b>06</b>	<b>05</b>	<b>04</b>	<b>03</b>	<b>02</b>	<b>01</b>	<b>00</b>
Coarse Timeout Count AMC7 AMC6 AMC5 AMC4				Fine Timeout Count AMC3 AMC2 AMC1 AMC0			

Signal Name	Default At RSTIN
IRRAE	0
CB12	None
AMTM	0
ACTLCH	None
INDET	None
ACTAFT	None
ACTBEF	None
AMEN	0
AMC7-AMC0	0-0

**Bit 15 - IRRAE, Interrupt Request Register Activity Enable**

IRRAE controls whether or not the IRR (Interrupt Request Register) bits from the Interrupt Controller at Port Address 020H, 0A0H may be a source of activity (refer to section 5.5).

IRRAE = 0 -  
 No IRR bits can be used as an activity source.

IRRAE = 1 -  
 IRR bits can be a source of activity. IRR8, IRR7 and IRR0 may still be masked by Port Address D872H.

**Bit 14 - CB12, Counter Bit 12**

For factory use only.

The activity monitor circuitry contains a 17-bit timeout counter for generating long timeouts. For test purposes, CB12 represents the twelfth bit of that counter.

**Bit 13 - AMTM, Activity Monitor Test Mode**

AMTM = 0 -  
 Activity Monitor functions normally.

AMTM = 1 -  
 Activity Monitor is in Test Mode. Activity Monitor State Machine is clocked faster than normal and nine stages of the 17-bit timeout counter are bypassed.

**Bit 12 - ACTLCH, Activity Latch**

This latch is always enabled, regardless of other enable bit settings. Writing a 1 to ACTLCH has no effect.

ACTLCH = 0 -  
 The Activity Latch is reset by writing 0 to ACTLCH.

ACTLCH = 1 -  
 Activity by an unmasked source has occurred.

**Bit 11 - INDET, Inactivity Detect**

Writing a 1 to INDET has no effect.

INDET = 0 -  
 Writing 0 to INDET, or placing the Activity Monitor in the idle state by writing 0 to AMEN (bit 8), resets INDET, ACTAFT and ACTBEF.

INDET = 1 -  
 System is idle and the Activity Monitor has requested the local attention output be set. This occurs when there has been no unmasked activity, allowing the predetermined timeout (bits 07-00) to be reached.

**NOTE**

PMCIN transitions may also cause the local attention (LCL\_ATN PMC 4) output to be set.

**Bit 10 - ACTAFT, Activity After INDET**

ACTAFT is a read only bit and its state is ignored during writes.

ACTAFT = 0 -  
 Writing 0 to INDET, or placing the Activity Monitor in the idle state by writing 0 to AMEN (bit 8), resets INDET, ACTAFT and ACTBEF.



ACTAFT = 1 -

Activity has occurred after INDET had been set. This would happen when activity occurs during the time it takes to reach the interrupt service routine invoked by the local attention output request.

**Bit 09 - ACTBEF, Activity Before INDET**

ACTBEF is a read only bit and its state is ignored during writes.

ACTBEF = 0 -

Writing 0 to INDET, or placing the Activity Monitor in the idle state by writing 0 to AMEN (bit 8), resets INDET, ACTAFT and ACTBEF.

ACTBEF = 1 -

Activity did occur and reset the timeout counter before INDET was set. This is important if consecutive timeout periods are being counted in a service routine to obtain a system timeout period other than that available using AMC7-AMC0 (bits 07-00). It would be necessary for the routine to clear the software counter if ACTBEF were set, since there would have been no activity only for the period of time programmed in AMC7-AMC0.

**Bit 08 - AMEN, Activity Monitor Enable**

This is the master enable for the Activity Monitor.

AMEN = 0 -

Writing 0 to AMEN places the Activity Monitor in the idle state.

AMEN = 1 -

Writing 1 to AMEN causes the Activity Monitor to start clocking the timeout counter. Each time an unmasked source of activity is detected, the counter is cleared. If no unmasked source of activity is detected before the timeout counter reaches the value programmed by ACM7-ACM0, INDET and the local attention output are set. The timeout counter is then cleared and a new timeout sequence begins.

**Bits 07-04 - AMC7-AMC4, Activity Monitor Counter Coarse**

AMC7-AMC4 establish the timeout values from 64 seconds to 16 minutes in 64 second increments. These bits must only be written

when the Activity Monitor is disabled (AMEN = 0). They may be read at any time.

AMC	7	6	5	4	
0	0	0	0	0	- 0 seconds
0	0	0	0	1	- 1 minute, 4 seconds
0	0	1	0	0	- 2 minutes, 8 seconds
0	0	1	1	0	- 3 minutes, 12 seconds
0	1	0	0	0	- 4 minutes, 16 seconds
0	1	0	1	0	- 5 minutes, 20 seconds
0	1	1	0	0	- 6 minutes, 24 seconds
0	1	1	1	0	- 7 minutes, 28 seconds
1	0	0	0	0	- 8 minutes, 32 seconds
1	0	0	1	0	- 9 minutes, 36 seconds
1	0	1	0	0	- 10 minutes, 40 seconds
1	0	1	1	0	- 11 minutes, 44 seconds
1	1	0	0	0	- 12 minutes, 48 seconds
1	1	0	1	0	- 13 minutes, 52 seconds
1	1	1	0	0	- 14 minutes, 56 seconds
1	1	1	1	0	- 16 minutes, 0 seconds

**Bits 03-00 - AMC3-AMC0, Activity Monitor Counter Fine**

AMC3-AMC0 establish the timeout values from 7.8 milliseconds to 117.2 milliseconds in 7.8 millisecond increments. Tolerance on time delays is -0, +3.9 milliseconds. These bits must only be written when the Activity Monitor is disabled (AMEN = 0). They may be read at any time.

AMC	3	2	1	0	
0	0	0	0	0	- 0 milliseconds
0	0	0	0	1	- 7.8 milliseconds
0	0	1	0	0	- 15.6 milliseconds
0	0	1	1	0	- 23.4 milliseconds
0	1	0	0	0	- 31.3 milliseconds
0	1	0	1	0	- 39.1 milliseconds
0	1	1	0	0	- 46.9 milliseconds
0	1	1	1	0	- 54.7 milliseconds
1	0	0	0	0	- 62.5 milliseconds
1	0	0	1	0	- 70.3 milliseconds
1	0	1	0	0	- 78.1 milliseconds
1	0	1	1	0	- 85.9 milliseconds
1	1	0	0	0	- 93.8 milliseconds
1	1	0	1	0	- 101.6 milliseconds
1	1	1	0	0	- 109.4 milliseconds
1	1	1	1	0	- 117.2 milliseconds

**NOTE**

The fine timeout delay (AMC3-AMC0) is added to the coarse timeout delay (AMC7-AMC4) to obtain the total timeout delay.



8.12 ACTIVITY MONITOR MASK REGISTER

Port Address D872H - Read and Write

The activity monitor provides a hardware solution for determining inactivity in a system. Knowing when a system is inactive is key to performing such power reduction activities as suspend. When the Activity Monitor is enabled by the Activity Monitor Control Register at Port Address B072H, the Activity Monitor clocks a counter and invokes a service routine using local attention when the counter reaches a programmed timeout value. However, while the counter is being clocked, the Activity Monitor continuously monitors for any of several events that would indicate that the system is active. If any of these events occur, the counter is reset and the timeout starts over. Thus the service routine is only invoked when the system has been inactive for a programmed period of time.

To provide a high degree of flexibility in determining what is active and what is not, many sources are routed to the Activity Monitor. These include the IRR (Interrupt Request Register) and ISR (In Service Register) bits from the Interrupt Controller, the PMC inputs, NMI output, DMA (or AT Master) cycles and I/O accesses to either the numeric coprocessor, hard disk data port or programmable chip select. All of these sources are considered activity unless masked.

The interrupt input masks are controlled in the lower byte. All ISR and IRR bits are detected as activity except those specifically masked. Note, however, that ISR2 and IRR2 are not examined since they are cascade interrupts only. Also, IRR3 and IRR4 are qualified by the Mask Register in the Interrupt Controller before being passed to the Activity Monitor. The master mask for all IRR bits is the IRRAE bit in the register at Port Address B072H.

<b>15</b>	<b>14</b>	<b>13</b>	<b>12</b>	<b>11</b>	<b>10</b>	<b>09</b>	<b>08</b>
PCS M	PMC ILS	PMC IS2	PMC IS1	PMC IS0	NMI M	HDD M	COP M

<b>07</b>	<b>06</b>	<b>05</b>	<b>04</b>	<b>03</b>	<b>02</b>	<b>01</b>	<b>00</b>
IMS1	IMS0	IRR8 M	IRR7 M	IRR0 M	ISR8 M	ISR7 M	ISR0 M

<b>Signal Name</b>	<b>Default At RSTIN</b>
All signals . . . . .	0

Bit 15 - PCSM, Programmable Chip Select Mask

PCSM = 0 -

Read or write I/O accesses to the ports defined by the programmable chip select in the WD76C10ALP/LV are considered activity.

PCSM = 1 -

Read or write I/O accesses to the ports defined by the programmable chip select in the WD76C10ALP/LV are ignored.

Bit 14 - PMCILS, Power Management Control Input Level Select

PMCILS determines which logic level on the selected PMC input is to be considered active. (See bits 13-11, PMCIS2-0.)

PMCILS = 0 -

PMCIN is active low.

PMCILS = 1 -

PMCIN is active high.

Bits 13-11 - PMCIS2-PMCIS0, Power Management Control Input Select

One of the PMC inputs IN7 through IN2 at Port Address 8872H may be selected for detection as a source of activity.

NOTE

The EI and EA bits at Port Address C872H, corresponding to the selected IN signal, should be cleared to prevent the IN signal from being latched internally.

PMCIS 2	1	0	
0	0	0	- PMC input 2 selected
0	0	1	- PMC input 3 selected
0	1	0	- PMC input 4 selected
0	1	1	- PMC input 5 selected
1	0	0	- PMC input 6 selected
1	0	1	- PMC input 7 selected
1	1	0	- Reserved
1	1	1	- Disabled, no PMC inputs checked

Bit 10 - NMIM, Non-maskable Interrupt Mask

NMIM = 0 -

The NMI output is used as a source of activity.

NMIM = 1 -

The NMI output is ignored.



**Bit 09 - HDDM**, Hard Disk Data Port Mask

HDDM = 0 -

If the hard disk chip select has been enabled by bit 01 at Port Address 2872H, I/O read and write operations to the 16-bit hard disk data port are allowed as a source of activity.

HDDM = 1 -

The hard disk data port I/O is ignored.

**Bit 08 - COPM**, Coprocessor Mask

COPM = 0 -

I/O cycles to the coprocessor are treated as a source of activity. For an 80286 system, this is I/O address range 00F8H-00FFH. For an 80386SX system, this is when A23 is high and M/I/O is low.

COPM = 1 -

I/O to the coprocessor is ignored.

**Bits 07, 06 - IMS1-0**, Interrupt Mask Select

The local attention generated by the Activity Monitor will be routed to an available interrupt input to invoke a service routine. That interrupt is not to be detected as a source of activity. IMS1-0 provide a selection of four possible inputs to be used for this function and masks the corresponding IRR and ISR bits as sources of activity.

IMS 1 0

0 0 - IRQ5 masked

0 1 - IRQ10 masked

1 0 - IRQ11 masked

1 1 - IRQ15 masked

**Bit 05 - IRR8M**, Interrupt Request Register 8 Mask

IRR8M = 0 -

Real-Time Clock Interrupt (IRR8) may be detected as a source of activity. Bit 15 in the Activity Monitor Control Register at Port Address B072H must also be set.

IRR8M = 1 -

Real-Time Clock Interrupt (IRR8) is ignored.

**Bit 04 - IRR7M**, Interrupt Request Register 7 Mask

IRR7M = 0 -

Parallel Port or Spurious Interrupt (IRR7) may be detected as a source of activity. Bit 15 in the Activity Monitor Control Register at Port Address B072H must also be set.

IRR7M = 1 -

Parallel Port or Spurious Interrupt (IRR7) is ignored.

**Bit 03 - IRR0M**, Interrupt Request Register 0 Mask

IRR0M = 0 -

Time Of Day Interrupt (IRR0) may be detected as a source of activity. Bit 15 in the Activity Monitor Control Register at Port Address B072H must also be set.

IRR0M = 1 -

Time Of Day Interrupt (IRR0) is ignored.

**Bit 02 - ISR8M**, Interrupt Service Register 8 Mask

ISR8M = 0 -

Real-Time Clock Interrupt (ISR8) may be detected as a source of activity.

ISR8M = 1 -

Real-Time Clock Interrupt (ISR8) is ignored.

**Bit 01 - ISR7M**, Interrupt Service Register 7 Mask

ISR7M = 0 -

Parallel Port or Spurious Interrupt (ISR7) may be detected as a source of activity.

ISR7M = 1 -

Parallel Port or Spurious Interrupt (ISR7) is ignored.

**Bit 00 - ISR0M**, Interrupt Service Register 0 Mask

ISR0M = 0 -

Time Of Day Interrupt (ISR0) may be detected as a source of activity.

ISR0M = 1 -

Time Of Day Interrupt (ISR0) is ignored.



### 8.13 SAVE AND RESUME

When the WD76C10ALP/LV is in the Save And Resume Mode, it typically draws less than 500  $\mu$ A. Figures 8-2 and 8-3 illustrate the steps that the WD76C10ALP/LV goes through during power down and power up.

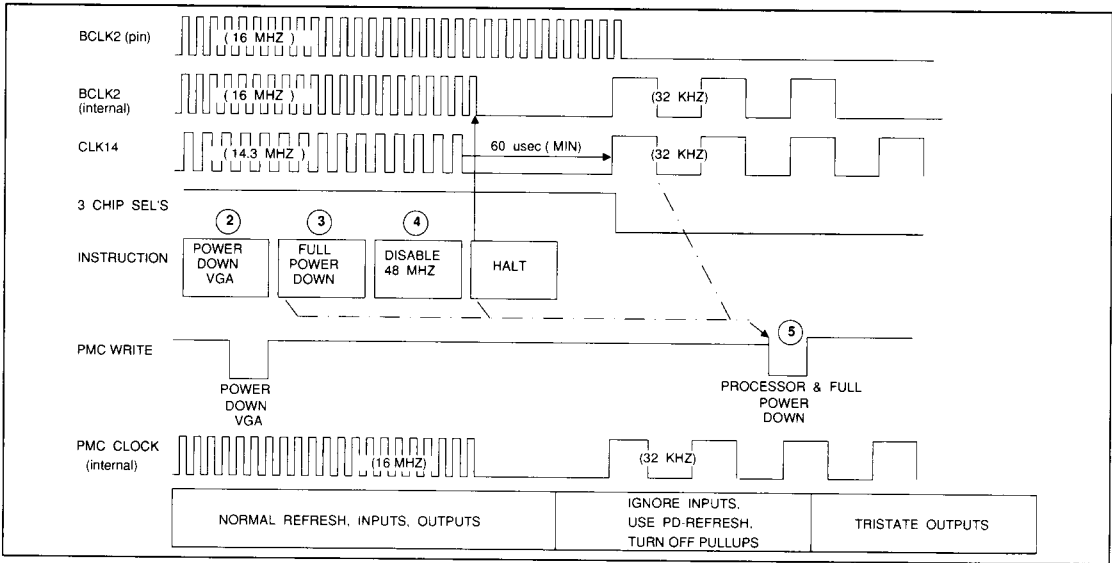


FIGURE 8-2. POWER DOWN

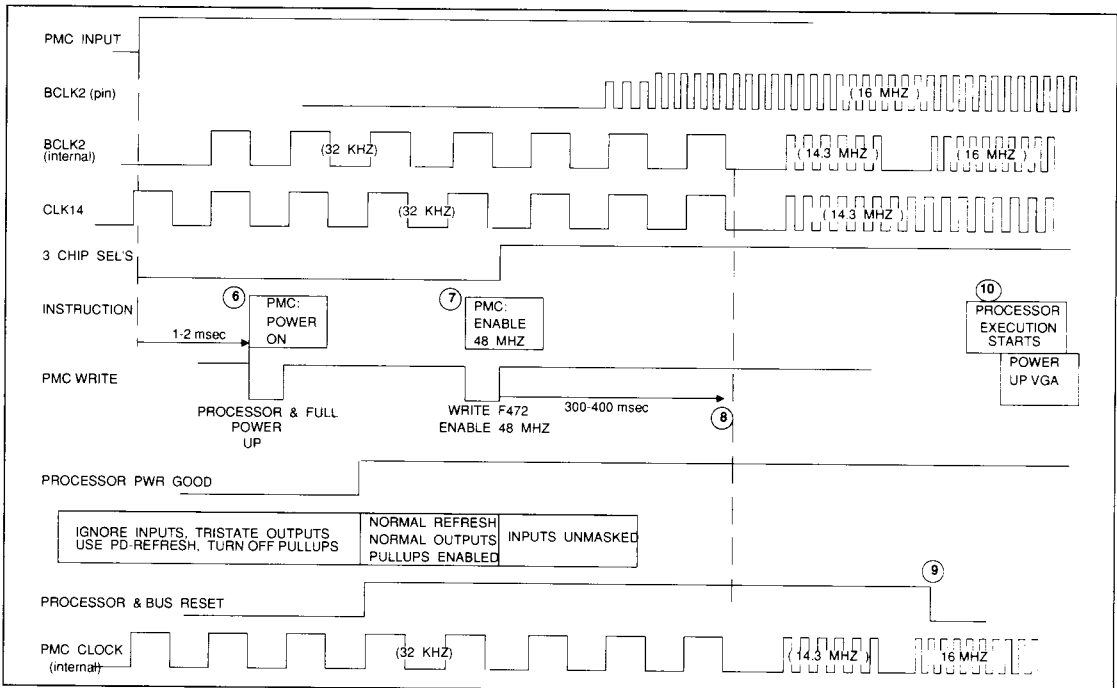


FIGURE 8-3. POWER UP

5



## 9.0 DIAGNOSTIC MODE

Simultaneously asserting MASTER, MEMR and MEMW while RSTIN is asserted, causes all output pins to become tristated. The outputs remain tristated if RSTIN is de-asserted while MASTER, MEMR and MEMW are asserted. The outputs become active drivers when RSTIN is asserted and any of the MASTER, MEMR or MEMW are not asserted. This all output tristate mode allows an in-circuit board tester to drive the System Controller's output pins.

### 9.1 DIAGNOSTIC REGISTER

Port Address 9872H - Read and Write

15	14	13	12	11	10	09	08
VER			CLK_TST	REF_MAS	AUT_A20		CLK SW

07	06	05	04	03	02	01	00
SX	DS	DIAG					

Signal Name	Default At RSTIN
VER	VER #
CLK_TST	0
REF_MAS	0
AUT_A20	0
Bit 09	None
CLK_SW	0
SX	None
DS	0
DIAG	0-0

#### Bits 15, 14, 13 - VER, Version Number

The initial version number is 000 and is incremented with every mask change. If version seven is read, it is necessary to read the device type (DEV) from Port Address D472H, then the secondary version number (SVER) from Port Address A872H. See Table 9-1.

#### Version

- 000 WD76C10 Initial Rev. A
- 001 WD76C10 Rev. B
- 010 WD76C10 Rev. C
- 011 WD76C10 Rev. D
- 100 WD76C10 Rev. E
- 101 WD76C10 Rev. F
- 110 WD76C10A Rev. A
- 111 Extended Versions

PORT ADDRESS D472H DEVICE			PORT ADDRESS A872H SECONDARY VERSION						
Bits	14	13	Device	Bits	15	14	13	12	Version
	0	0	WD76C10A		0	0	0	0	A
	0	1	WD7710		0	0	0	1	B
	1	0	Reserved		0	0	1	0	C
	1	1	Reserved		-	-	-	-	
					1	1	1	1	P

TABLE 9-1. EXTENDED VERSION NUMBER

#### Bit 12 - CLK\_TST, Clock Test

Diagnostics for factory use only.

#### Bit 11 - REF\_MAS, Bus Master Refresh

Additional external logic may be required to support the bus master initiated refresh.

REF\_MAS = 0 -

Does not support bus master initiated refresh (Default value).

REF\_MAS = 1 -

Supports bus master initiated refresh.

#### Bit 10 - AUT\_A20, Automatic Gate A20

Normally, the Alternate Gate A20 signal from Port 092H is OR'ed with the 8042 Gate A20.

When the AUT\_A20 bit is set, the Alternate Gate A20 control bit automatically changes state to match the keyboard's Gate A20. Bit 1 (ALT\_A20G) of Port 092H is set or reset according to the way 8042 is programmed. When the keyboard data port is read using the D1 keyboard controller command, the state of the Gate A20 status bit is replaced by that of AUT\_A20.

The state of the A20 gating signal is available on PMC output 6 by reading Port 7072H (see Table 8-1).



AUT\_A20 = 0 -  
Normal Alternate Gate A20 (Default value).

AUT\_A20 = 1 -  
Automatic Gate A20

**Bit 09** - Not used, state is ignored.

**Bit 08 - CLK\_SW**, Clock Switch

The short clock switch reset pulse width is 1  $\mu$ s plus 16 CPUCLKs. The 80486 processor requires a 1 ms clock switch.

CLK\_SW = 0 -  
Short clock switch reset width (Default value)

CLK\_SW = 1 -  
1 ms clock switch reset width

**Bit 07 - SX**, 80386SX Processor

At power up the System Controller samples the type of processor in the system.

SX = 0 -  
80286 processor was detected.

SX = 1 -  
80386SX processor was detected.

**Bit 06 - DS**, Diagnostic Signal

DS represents the state of the diagnostic signal selected by DIAG (bits 05 through 00).

**Bits 05-00 - DIAG**, Diagnostic Function

DIAG selects the diagnostic function to be performed. The DS bit represents the state of the signal selected. Table 9-2. lists the tests available.

DIAG = 00000 - Diagnostic output disabled, speaker normal.

DIAG = 00001 - Diagnostic output disabled, speaker disabled.



DIAG	FUNCTION	DIAG	FUNCTION
00000	Normal Speaker	10000	Reserved
00001	Speaker Disabled	10001	"
00010	Reserved	10010	"
00011	"	10011	"
00100	"	10100	"
00101	"	10101	"
00110	"	10110	"
00111	"	10111	"
01000	"	11000	"
01001	"	11001	"
01010	"	11010	"
01011	"	11011	"
01100	"	11100	"
01101	"	11101	"
01110	"	11110	"
01111	"	11111	"

TABLE 9-2. DIAGNOSTIC TESTS



**9.2 DELAY LINE DIAGNOSTIC REGISTER**

Port Address A072H - Read and Write

15	14	13	12	11	10	09	08

07	06	05	04	03	02	01	00
LAT	DL	DELAY					

Signal Name	Default At RSTIN
Bits 15-08	None
LAT	0
DL	0
DELAY	None

**Bit 07 - LAT, Latch Output Strength**

The delay line count value (bits 05-00) is used to control the output buffer strength. The output buffer strength is normally adjusted every time the delay count changes. LAT may be used to lock the buffer strength at its present value.

LAT = 0 -  
The output buffer strength is adjusted when the delay count changes.

LAT = 1 -  
The output buffer strength is locked at its present value.

**Bit 06 - DL, Delay Freeze**

The internal self tuning delay line normally is updated by one delay element during every refresh cycle. For test purposes, the delay may be forced to stop generating calibration cycles. When delay line updates are frozen, the tester may write different delay line counter values in bits 05-00.

DL = 0 -  
Normal delay line operation (Default value)

DL = 1 -  
Freeze delay line

**Bits 05-00 - DELAY, Delay Counter Value**

The delay line counter value is used to control the output buffer strength.

This register may be written to when DL is set to one.





### 9.3 TEST ENABLE REGISTER

Port Address A872H - Bits 15-10 Read only  
 Bits 09-00 Read and Write

The test function bits 07-03 are for factory use only.

15	14	13	12	11	10	09	08
SVER				BF40	BC40	RSVD	TDL

07	06	05	04	03	02	01	00
OLD_IHLD	BFC3	BIST3	BFC40	BIST40	EN_PLD	DISFA	EN_LVL

<b>Signal Name</b>	<b>Default At RSTIN</b>
All signals . . . . .	0-0

**Bits 15-12 - SVER**, Secondary Version Number.

Refer to VER at Port Address 9872H and Table 9-1.

**Bit 11 - BF40**, EMS Register Self Test Status

**Bit 10 - BC40**, EMS Register Self Test Status

**Bit 09 - RSVD**, Reserved for future use.

**Bit 08 - TDL**, Test Delay Line.

**Bit 07 - OLD\_IHLD**,

OLD\_IHLD = 0 -  
 SX test not enabled

OLD\_IHLD = 1 -  
 SX test enabled

**Bit 06 - BFC3**,

BFC3 = 0 -  
 DMA register file test

BFC3 = 1 -  
 DMA register file test

**Bit 05 - BIST3**,

BIST3 = 0 -  
 DMA register file test

BIST3 = 1 -  
 DMA register file test

**Bit 04 - BFC40**,

BFC40 = 0 -  
 EMS mapping RAM

BFC40 = 1 -  
 EMS mapping RAM

**Bit 03 - BIST40**,

BIST40 = 0 -  
 EMS mapping RAM

BIST40 = 1 -  
 EMS mapping RAM

**Bit 02 - EN\_PLD**, Enable Pulldown

EN\_PLD = 0 -  
 Pulldown resistors are not enabled.

EN\_PLD = 1 -  
 40K to 100K internal pulldown resistors will be enabled during processor power down or full power down on processor address lines A23 through A00, and on processor data lines D15 through D00.

**Bit 01 - DISFA**, Disable First Access

DISFA = 0 -  
 First access Page Mode cycles are not disabled.

DISFA = 1 -  
 First access Page Mode cycles are disabled. Page Miss cycles occur instead.

**Bit 00 - EN\_LVL**, Enable Level

The Interrupt Controller may be programmed to support Level Sensitive Mode for diagnostic adapters which may need to test this capability.

EN\_LVL = 0 -  
 Level Sensitive Interrupt Mode in the 8259 Interrupt Controller is not supported. L\_T (bit 3) at Port 020H has no effect.

EN\_LVL = 1 -  
 Level Sensitive Interrupt Mode in the 8259 Interrupt Controller is supported. L\_T (bit 3) at Port 020H now controls the selection of Edge or Level sensed interrupts.



**9.4 TEST STATUS REGISTER**

Port Address DC72H - Read only

For factory use only.

<b>15</b>	<b>14</b>	<b>13</b>	<b>12</b>	<b>11</b>	<b>10</b>	<b>09</b>	<b>08</b>
Delay Line Status CAL MED SLOW			DLT6	DLT5	DLT4	DLT3	DLT2

<b>07</b>	<b>06</b>	<b>05</b>	<b>04</b>	<b>03</b>	<b>02</b>	<b>01</b>	<b>00</b>
DLT1	DLT0	BF34	BF33	BF32	BF31	BF30	BC

Signal Name	Default At RSTIN
All signals	None

**Bit 15 - CAL**, Calibration

- CAL = 0 - Internal delay line has not completed initial calibration.
- CAL = 1 - Internal delay line has completed initial calibration.

**Bits 14, 13 - MED, SLOW**, Medium and Slow

These bits provide information regarding the output buffer strength and pertain to the WD76C10A/LP/LV.

MED	SLOW	
0	0	- Output buffers are set to low strength (fast).
0	1	- Invalid
1	0	- Output buffers are set to medium strength (medium speed).
1	1	- Output buffers are set to full strength (slow).

**Bits 12-06 - DLT6-DLT0**,

These bits provide information about internal nodes and are for test purposes only. Their state is dependent upon the test mode selected and the speed of the WD76C10A/LP/LV.

**Bits 05-01 - BF34-BF30**,

These bits provide information about internal nodes and are for test purposes only. Their state is dependent upon the test mode selected and the speed of the WD76C10A/LP/LV.

**Bit 00 - BC**

This bit provides information about internal nodes and are for test purposes only. Its state is dependent upon the test mode selected and the speed of the WD76C10A/LP/LV.



### 10.0 DC ELECTRICAL SPECIFICATIONS

This section provides the DC Operating Characteristics for the WD76C10A/LP. The parameters for the WD76C10ALV that differ from these are marked with an \* and appear in the appendix.

#### 10.1 MAXIMUM RATINGS

Supply Voltage (Vcc) with respect to Vss (ground)	Vcc - Vss ≤ 7.0 Volts
Voltage on any pin with respect to Vss (ground)	Vss -0.3 Volts to Vcc +0.3 Volts
Operating Temperature	0°C (32°F) to 70°C (158°F)
Storage Temperature	-40°C (-40°F) to 125°C (257°F)
Power Dissipation	600 mW *

**NOTE**

Maximum limits indicate where permanent device damage occurs. Continuous operation at these limits is not intended and should be limited to those conditions specified in the DC Operating Characteristics.

5

#### 10.2 DC OPERATING CHARACTERISTICS

TA = 0°C (32°F) to 70°C (158°F)

Vcc = +5V ±.25V (5%) for WD76C10A and WD76C10ALP \*

SYMBOL	CHARACTERISTIC	MIN	MAX	UNIT	CONDITIONS
IIL	Input Leakage		± 10	µA	Vin = .4 to Vcc
IOZ	Tristate And Open Drain Output Leakage		± 10	µA	Vout = .4 to Vcc
VIH	Input High Voltage	2.0		V	
VIL	Input Low Voltage		.8	V	
VIHC	CPUCLK Input High *	3.6		V	
VIL	CPUCLK Input Low		.6	V	
VIH	RSTIN Input High Voltage	Vcc -0.5		V	
VIL	RSTIN Input Low Voltage		0.5	V	
ICC	Supply Current *		200 150	mA mA	Inputs at 2.0V Inputs at 5.0V Outputs Open, CPUCLK = 32 MHz
ICCSB	Typical Supply Current, Power Down Mode For WD76C10ALP	.5		mA	Typical, CPUCLK Off, CLK14 = 32 KHz

TABLE 10-1. DC OPERATING CHARACTERISTICS



**FOR PINS WITH INTERNAL PULLUPS:**

MASTER, IOCK, IOCS16, MEMCS16, ZEROWS, IOCHRDY, RDYIN, PDREF

SYMBOL	CHARACTERISTIC	MIN	MAX	UNIT	CONDITIONS
IIL	Input Pullup Current *	-30	-110	$\mu$ A	Not suspend and resume mode

**TABLE 10-1. DC OPERATING CHARACTERISTICS (Continued)**

M/I $\bar{O}$ , PEACK, NPERR, NPBUSY, S $\bar{0}$ , S $\bar{1}$ , NPRST, CPURES, DPH, DPL

SYMBOL	CHARACTERISTIC	MIN	MAX	UNIT	CONDITIONS
IIL	Input Pullup Current *	-30	-110	mA	Not processor down or suspend mode

**TABLE 10-1. DC OPERATING CHARACTERISTICS (Continued)**

PMCIN, IOCHRDY, ZEROWS, IOCS16, MEMCS16, MASTER, PDREF, REFRESH, BHE, IOR, IOW, MEMR, MEMW

SYMBOL	CHARACTERISTIC	MIN	MAX	UNIT	CONDITIONS
IIL	Input Pullup Current *	-30	-110	mA	Not suspend mode

**TABLE 10-1. DC OPERATING CHARACTERISTICS (Continued)**

CASL3, CASL2, CASH3, SDT/ $\bar{R}$

SYMBOL	CHARACTERISTIC	MIN	MAX	UNIT	CONDITIONS
IIL	Input Pullup Current *	-30	-110	mA	RESET IN = 0

**TABLE 10-1. DC OPERATING CHARACTERISTICS (Continued)****FOR PINS WITH INTERNAL PULLDOWNS:**

A23-A0, D15-D0

SYMBOL	CHARACTERISTIC	MIN	MAX	UNIT	CONDITIONS
IIL	Input Pulldown Current *	-30	-110	$\mu$ A	Processor power down or suspend mode

**TABLE 10-1. DC OPERATING CHARACTERISTICS (Continued)**

**FOR OUTPUTS:**

DACK2-0, DACKEN, D15-D0, READY, CPURES, HOLD, INTRQ, A23-A0, NMI, DPH, DPL, RA10-RA8, RA7/ED7-RA0/ED0, BHE, RAS3-RAS0, CASL3-CSL0, CASH3-CASH0, W/R, DT/R, DEN1, DEN0, SDT/R, SDEN, CSEN, LOMEG

SYMBOL	CHARACTERISTIC	MIN	MAX	UNIT	CONDITIONS
VOH	Output High Voltage *	V <sub>CC</sub> - .8		V	IOUT = -100 $\mu$ A
VOH	Output High Voltage *	2.4		V	IOUT = -2 mA
VOL	Output Low Voltage *		.4	V	IOUT = 2 mA

**TABLE 10-1. DC OPERATING CHARACTERISTICS (Continued)****FOR OUTPUTS:**

MXCTL2-0

SYMBOL	CHARACTERISTIC	MIN	MAX	UNIT	CONDITIONS
VOH	Output High Voltage	V <sub>CC</sub> - .8		V	IOUT = -200 $\mu$ A
VOH	Output High Voltage *	2.4		V	IOUT = -4 mA
VOL	Output Low Voltage *		.4	V	IOUT = 4 mA

**TABLE 10-1. DC OPERATING CHARACTERISTICS (Continued)****FOR OUTPUTS:**

IOR, IOW, MEMR, MEMW, AEN, SYSCLK, BALE, LA20, SA0

SYMBOL	CHARACTERISTIC	MIN	MAX	UNIT	CONDITIONS
VOH	Output High Voltage	2.4		V	IOUT = -3 mA
VOL	Output Low Voltage *		.5	V	IOUT = 24 mA

**TABLE 10-1. DC OPERATING CHARACTERISTICS (Continued)****FOR OUTPUT:**

REFRESH

SYMBOL	CHARACTERISTIC	MIN	MAX	UNIT	CONDITIONS
VOL	Output Low Voltage *		.5	V	IOUT = 24 mA

**TABLE 10-1. DC OPERATING CHARACTERISTICS (Continued)**

## 11.0 AC OPERATING CHARACTERISTICS

The AC Operating Characteristics are divided into three major categories: Memory Timing, section 11.1, AT Bus Timing, section 11.2 and Processor Timing, section 11.3.

This section provides the AC Operating Characteristics for the WD76C10A/LP. The parameters for the WD76C10ALV that differ from these are marked with an \* and appear in the appendix.

Table 11-1 lists the timing tables and figures, and their section location.

TABLE NUMBER	FIGURE NUMBER	TITLE	SECTION
11-3		80286 - Page Mode Memory Timing	11.1.1
	11-1	80286 - Page Mode First Access Read/Write	11.1.1
11-4	↓		
	11-6	80286 - Page Mode Read Hit Followed By Write Hit	11.1.1
		80286 - Non-Page Mode 00 Memory Timing	11.1.2
	11-7	80286 - Non-Page Mode 00 1 Wait State Write	11.1.2
	11-8	80286 - Non-Page Mode 00 1 Wait State Read	11.1.2
11-5	11-9	80286 - Non-Page Mode 00 2 Wait States Read After Write	11.1.2
		80286 - Non-Page Mode 01 Memory Timing	11.1.3
	11-10	80286 - Non-Page Mode 01 0 Wait State Write	11.1.3
	11-11	80286 - Non-Page Mode 01 0 Wait State Read	11.1.3
11-6		80386SX - Page Mode Memory Timing	11.1.4
	11-12	80386SX - Page Mode, First Access Read/Write	11.1.4
11-7	↓		
	11-17	80386SX - Page Mode, Write Miss Following A Write	11.1.4
		80386SX - Non-Page Mode 00 And Mode 01	11.1.5
	11-18	80386SX - Non-Page Mode 00 1 Wait State Read	11.1.5
	↓		
11-8	11-21	80386SX - Non-Page Mode 00 1 Wait State Read	11.1.5
		CPU Initiated AT Bus Cycles	11.2.1
	11-22	AT Bus I/O Or Memory Read: 8-Bit, Default Timing	11.2.1
11-9	↓		
	11-31	AT Bus I/O Or Memory Write: 16-Bit, Default Timing	11.2.1
		Entering The AT Bus	11.2.2
	11-32	80286 CPU - Asynchronous CPUCLK To SYSCLK, BREQ Delay = 1/2 Clock	11.2.2
11-10	↓		
	11-37	80386SX CPU - Synchronous CPUCLK To SYSCLK	11.2.2
		Exiting The AT Bus	11.2.3
	11-38	Synchronous AT Bus Cycle Completion, AT Bus Clock = 1/2 CPUCLK	11.2.3
	↓		
11-11	11-41	Asynchronous AT Bus Cycle Completion, BAK_DEL = 0 Or +0.5 AT Bus Cycles	11.2.3
		DMA Entering And Exiting The AT Bus	11.2.4
	11-42	Basic DMA Cycle, Default Timing	11.2.4
	11-43	DMA Cycle, 8-Bit I/O To On-board Memory	11.2.4
	11-44	DMA Cycle, On-board Memory To 8-Bit I/O	11.2.4
11-12		AT Bus Master Cycle	11.2.5
	11-45	AT Bus Master, Bus Acquisition/Release	11.2.5
	11-46	AT Bus Master, Write To On-board Memory	11.2.5
	11-47	AT Bus Master, Read From On-board Memory	11.2.5
11-13		AT Bus Refresh Cycle, Default Timing	11.2.5
	11-48	AT Bus Refresh Cycle, Default Timing	11.2.5

TABLE 11-1. TIMING FIGURE/TABLE NUMBERS



TABLE NUMBER	FIGURE NUMBER	TITLE	SECTION
11-14	11-49	80286 CPU TIMING	11.3
	↓	80286 - CPURES AND NPRST DURING POWER UP	11.3
11-15	11-54	80286 - MISCELLANEOUS TIMING	11.3
	↓	80386SX CPU TIMING	11.3
	11-55	80386SX - CPURES AND NPRST DURING POWER UP	11.3
	↓	80386SX - OUTPUT DELAY TIMING	11.3
	11-62		

TABLE 11-1. TIMING FIGURE/TABLE NUMBERS (Continued)

5

SIGNAL	LOAD	SIGNAL	LOAD	SIGNAL	LOAD
CPURES	50 pF	NPRST	50 pF	BHE	50 pF
W/R	50 pF	ALE	50 pF	DEN1, DEN0	50 pF
SDEN	50 pF	DT/R	50 pF	SDT/R	50 pF
MXCTL2 - 0	50 pF	DACKEN	50 pF	CSEN	50 pF
LOMEG	50 pF	SPKR	50 pF	READY	50 pF
HOLD	50 pF	INTRQ	50 pF	NMI	50 pF
BUSYCPU	50 pF	EPEREQ	50 pF	A23 - A0	60 pF
CPUCLK	70 pF	SYCLK	75 pF	CASH3 - 0 *	75 pF
CASL3 - 0	75 pF	D15 - D0	100 pF	DPH	100 pF
DPL	100 pF	RAS3 - RAS0	150 pF	IOW	200 pF
IOR	200 pF	MEMW	200 pF	MEMR	200 pF
LA20	200 pF	SA0	200 pF	AEN	200 pF
BALE	200 pF	REFRESH	200 pF	RA10 - RA0 *	350 pF

TABLE 11-2. SIGNAL LOADING



## 11.1 MEMORY TIMING

Sections 11.1.1 through 11.1.5 present the memory timing for Page Mode and Non-Page Mode, for the 80286 and 80386SX processors.

Mnemonics used in the timing diagrams and tables are defined as:

Categories are grouped as follows:

80286

Page Mode  
Non-Page Mode 00  
Non-Page Mode 01

80386SX

Page Mode  
Non-Page Mode 00 and 01

TC - Command Cycle  
TW - Wait State Cycle  
TS - Status Cycle  
WNRDRAM - Write Not Read DRAM (W/R pin 119).

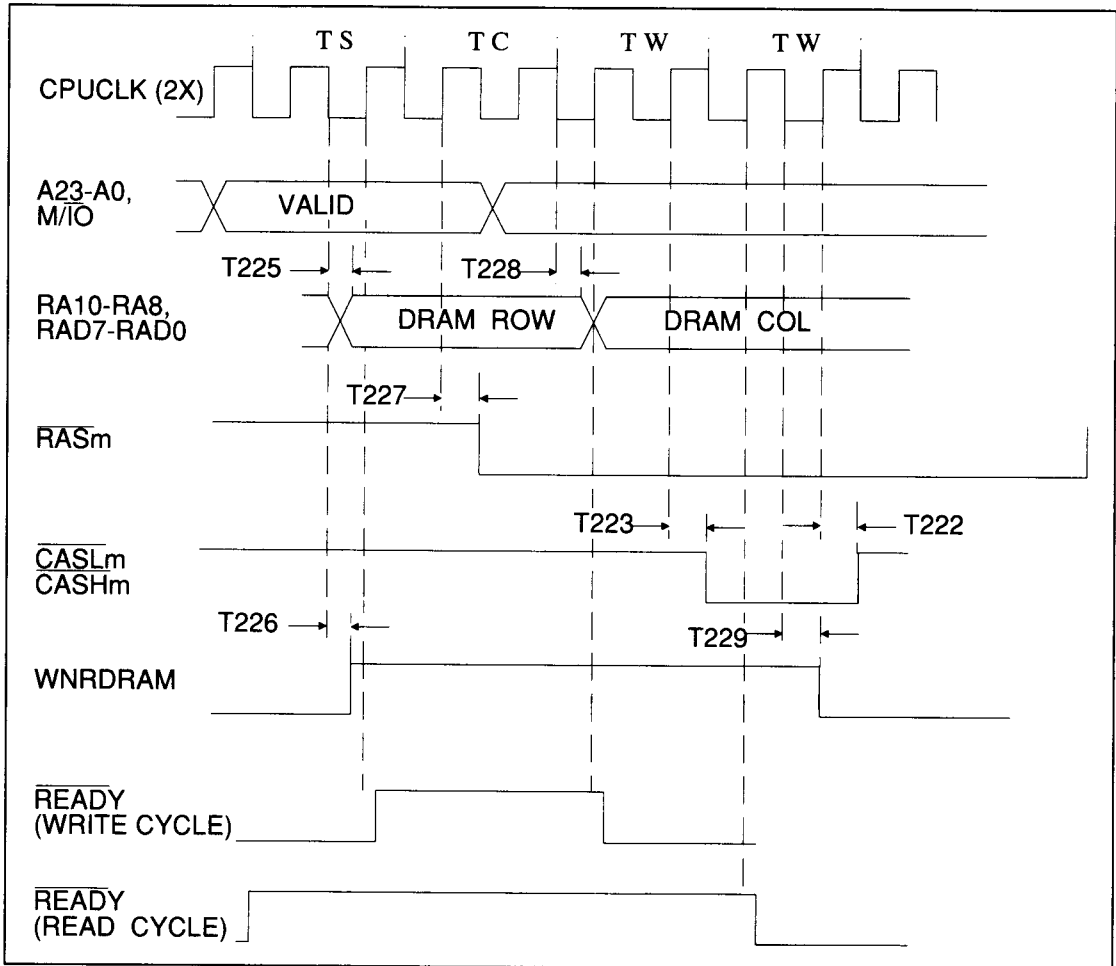
### 11.1.1 80286 Page Mode Timing

SYMBOL	CHARACTERISTIC	MAX	MAX
		12.5 MHz	20 MHz
T220	Processor address to RAM address valid, Page Hit	32	30
T221	CPUCLK fall to $\overline{\text{CAS}}$ fall, 2.5 CLK CAS	36	34
T222	CPUCLK rise to $\overline{\text{CAS}}$ rise	29	27
T223	CPUCLK rise to $\overline{\text{CAS}}$ fall, 2.0 CLK CAS	30	26
T224	Processor data to parity valid	25	22
T225	CPUCLK fall to RAM address valid, Page Miss	39	36
T226	CPUCLK fall to WNRDRAM rise	34	31
T227	CPUCLK rise to $\overline{\text{RAS}}$ fall, first access	28	26
T228	CPUCLK fall to column address valid	44	41
T229	CPUCLK fall to WNRDRAM fall	34	31
T232	CPUCLK fall to $\overline{\text{RAS}}$ rise, Page Miss	29	27
T233	CPUCLK rise to $\overline{\text{RAS}}$ fall, Page Miss	28	26
T234	CPUCLK rise to $\overline{\text{READY}}$ rise	24	22
T235	CPUCLK rise to $\overline{\text{READY}}$ fall	24	22

TABLE 11-3. 80286 - PAGE MODE MEMORY TIMING







5

FIGURE 11-1. 80286 - PAGE MODE FIRST ACCESS READ/WRITE



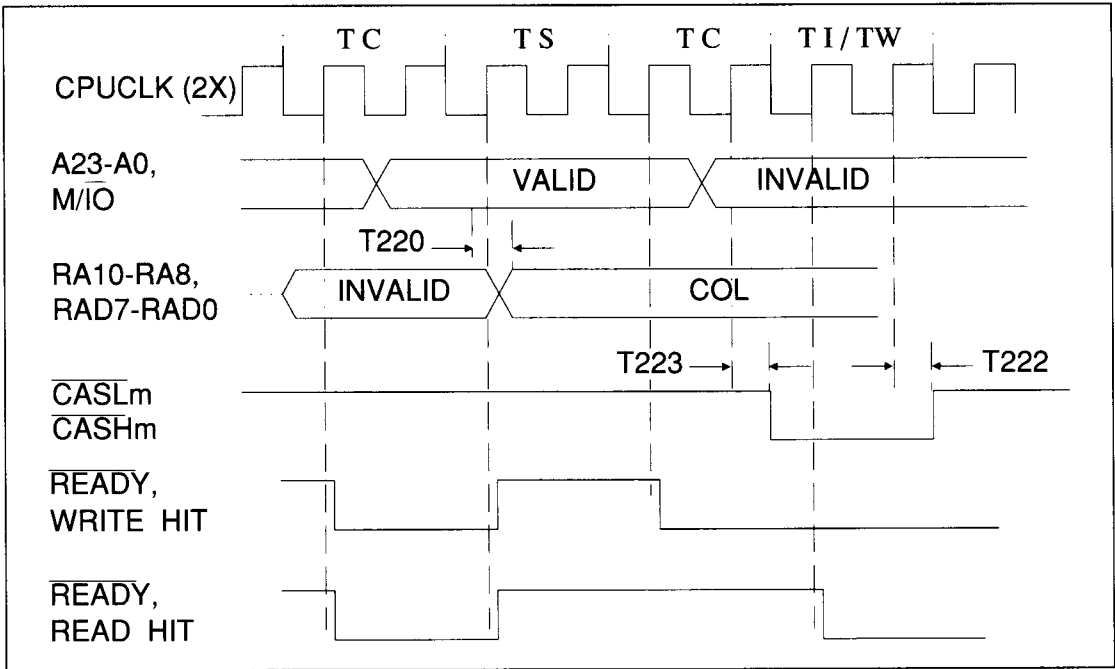


FIGURE 11-2. 80286 - PAGE MODE READ CYCLE FOLLOWED BY A PAGE HIT

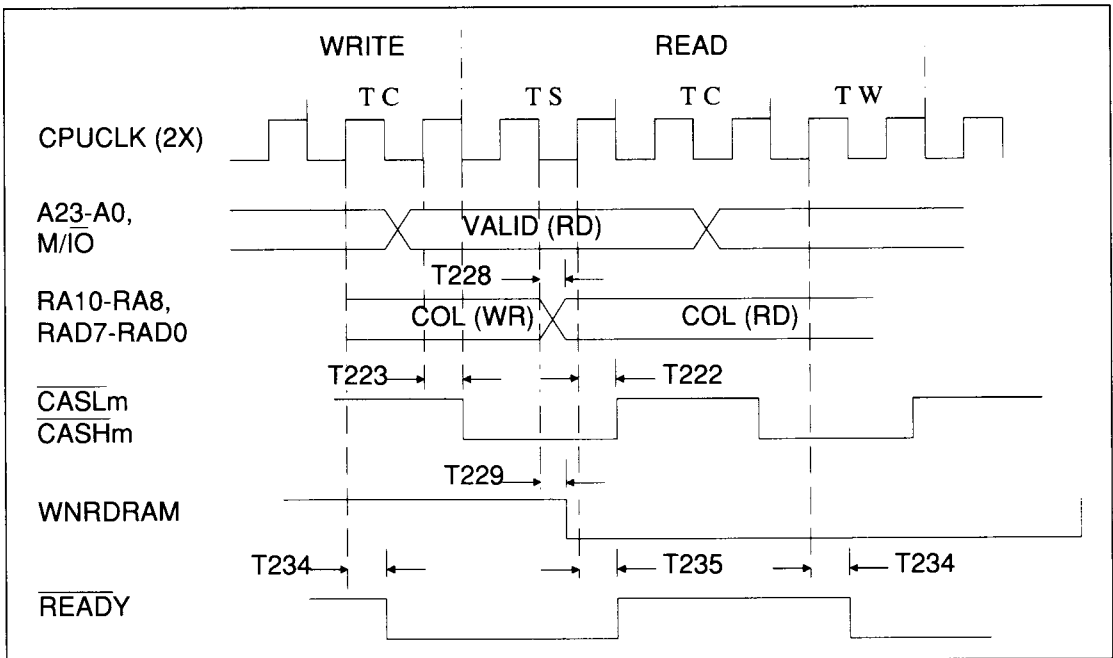
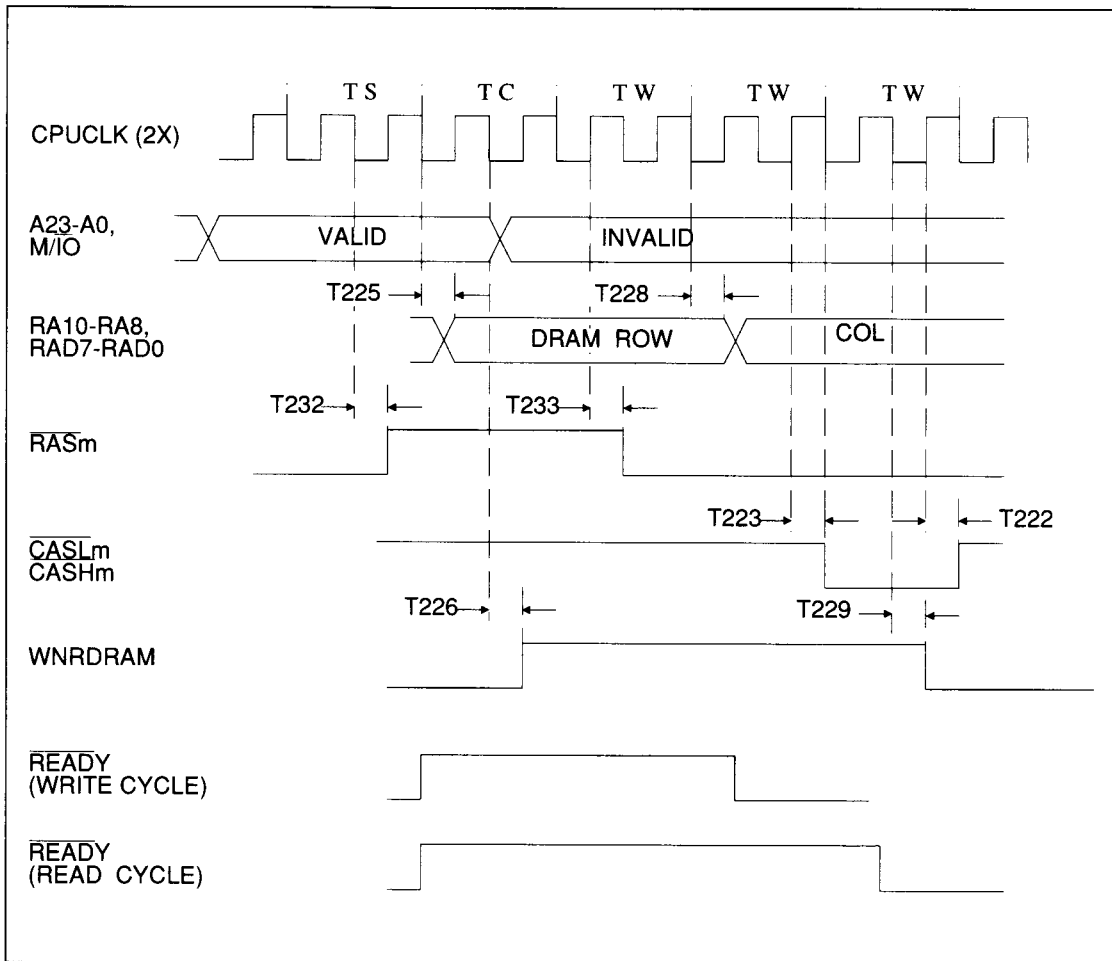


FIGURE 11-3. 80286 - PAGE MODE READ AFTER WRITE





5

FIGURE 11-4. 80286 - PAGE MODE, PAGE MISS READ/WRITE



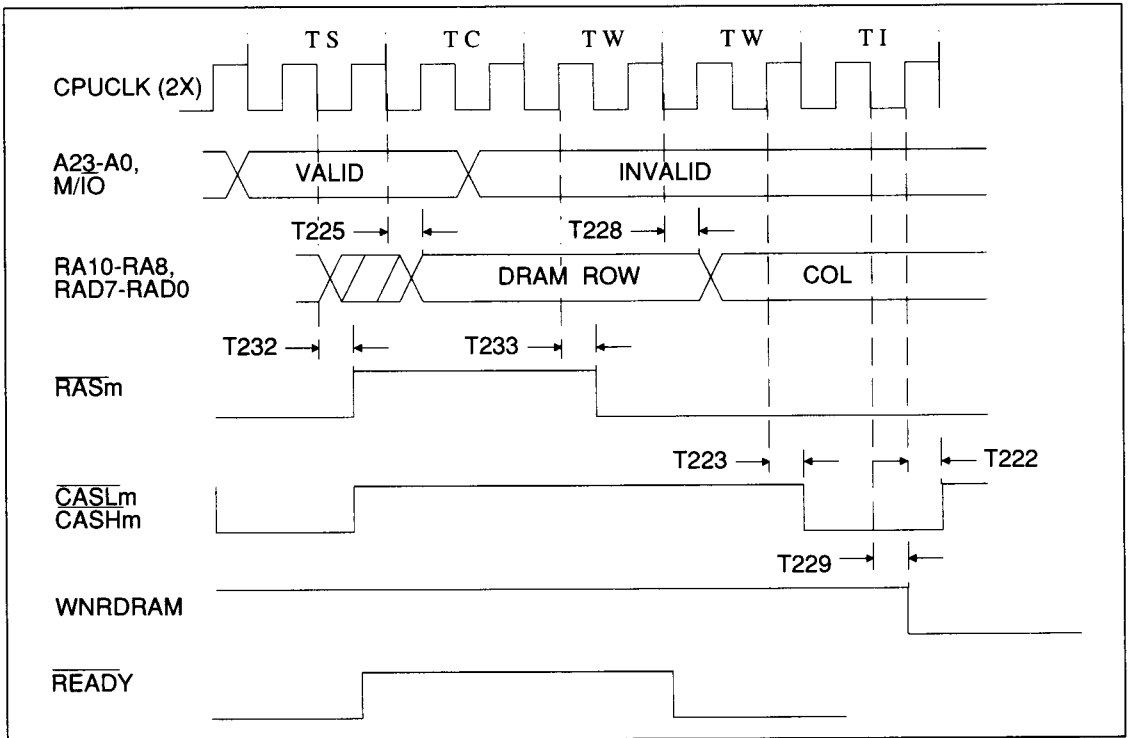
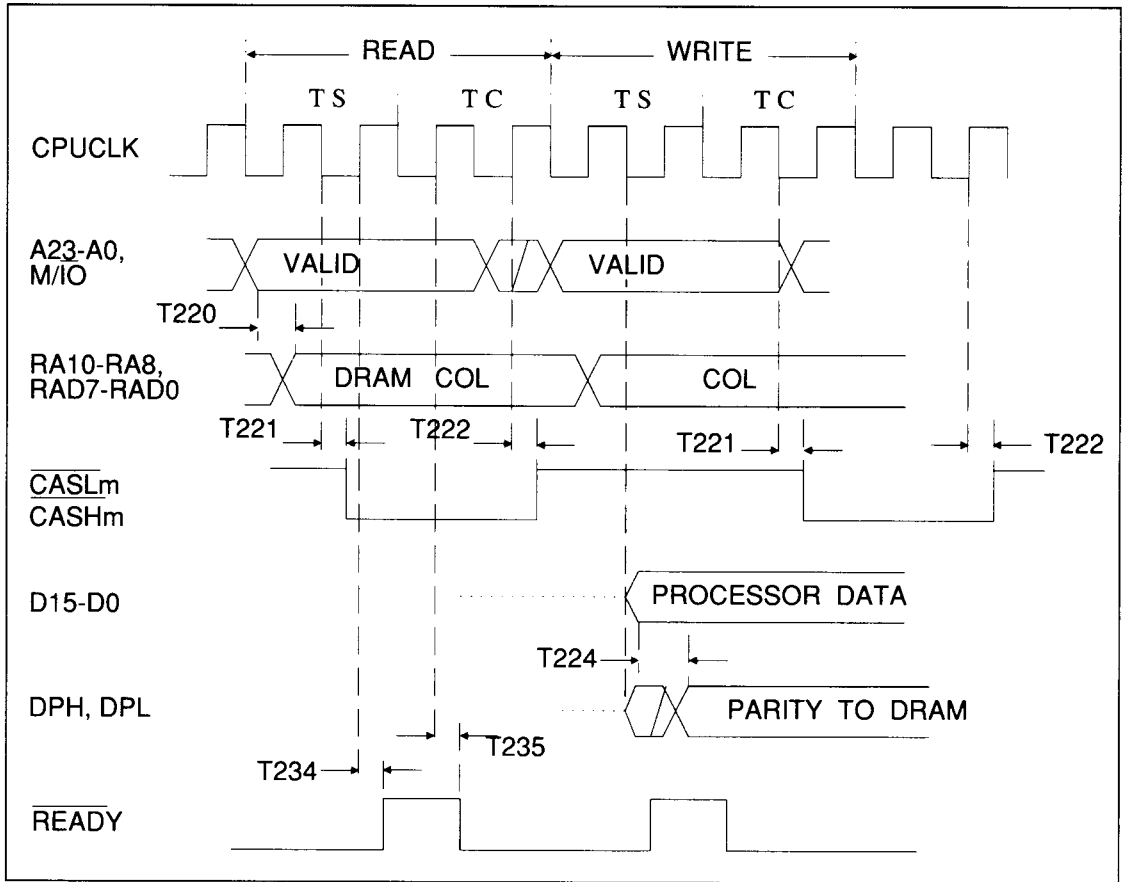


FIGURE 11-5. 80286 - PAGE MODE, WRITE MISS FOLLOWING WRITE





5

FIGURE 11-6. 80286 - PAGE MODE READ HIT FOLLOWED BY A WRITE HIT



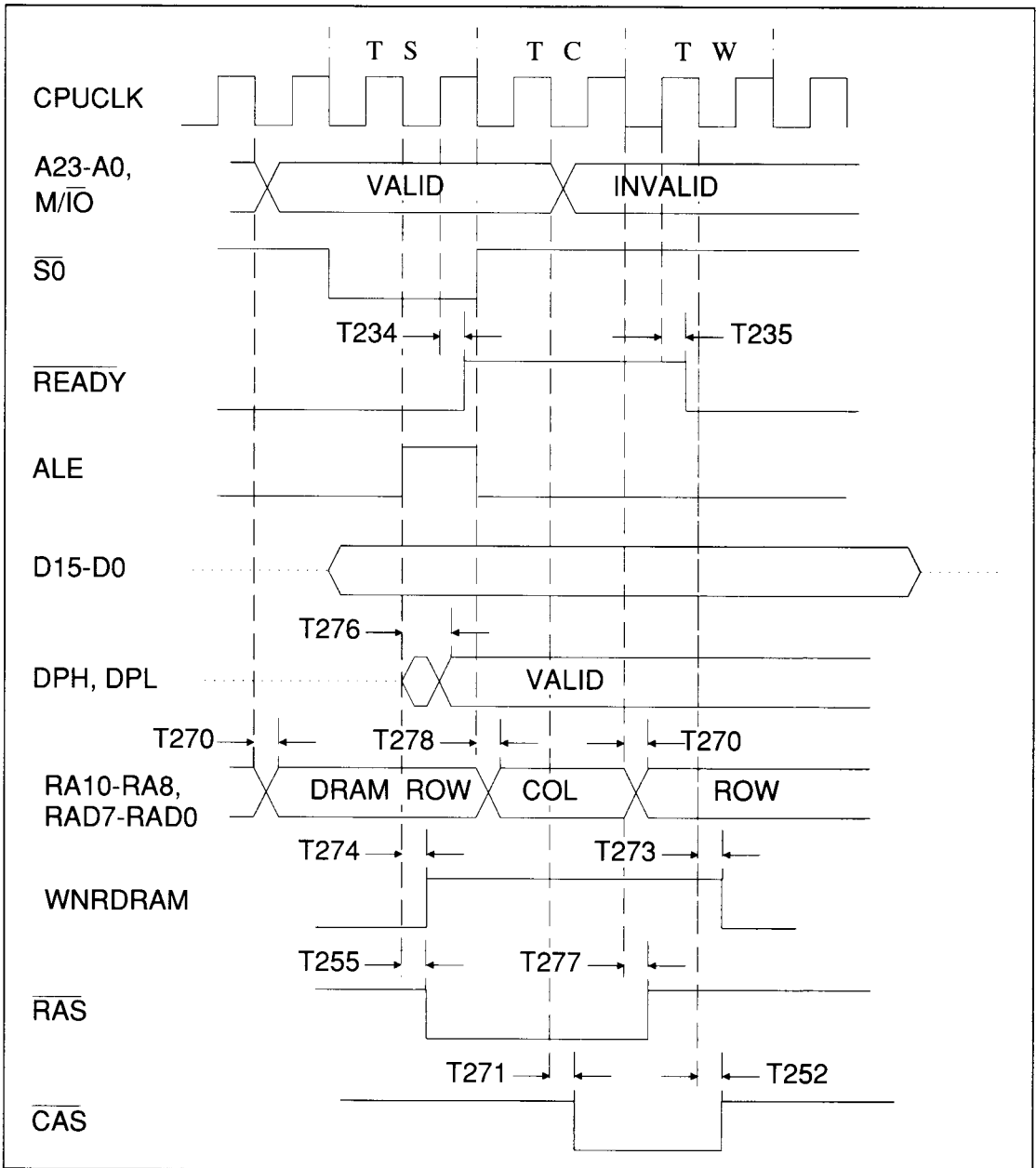
## 11.1.2 80286 Non-Page Mode 00 Timing

SYMBOL	CHARACTERISTIC	MAX 12.5 MHz	MAX 20 MHz
T234	See Table 11-3		
T235	See Table 11-3		
T252	CPUCLK fall to $\overline{\text{CAS}}$ rise	33	30
T255	CPUCLK fall to $\overline{\text{RAS}}$ fall	35	32
T270	CPUCLK fall to $\overline{\text{ROW}}$ address	46	42
T271	CPUCLK fall to $\overline{\text{CAS}}$ fall	37	34
T273	CPUCLK fall to $\overline{\text{WNRDRAM}}$ fall	33	31
T274	CPUCLK fall to $\overline{\text{WNRDRAM}}$ rise	33	31
T275	Data holding tristate. ①	12	12
T276	Clock fall to parity valid	30	27
T277	CPUCLK fall to $\overline{\text{RAS}}$ rise	30	28
T278	CPUCLK fall to $\overline{\text{COLUMN}}$ address valid	41	38
T279	Processor address to $\overline{\text{ROW}}$ address	32	30

① Tristate times are not tested. Timing specifications are derived from simulation.

TABLE 11-4. 80286 - NON-PAGE MODE 00 MEMORY TIMING





5

FIGURE 11-7. 80286 - NON-PAGE MODE 00, 1 WAIT STATE WRITE (4072H = 0001)



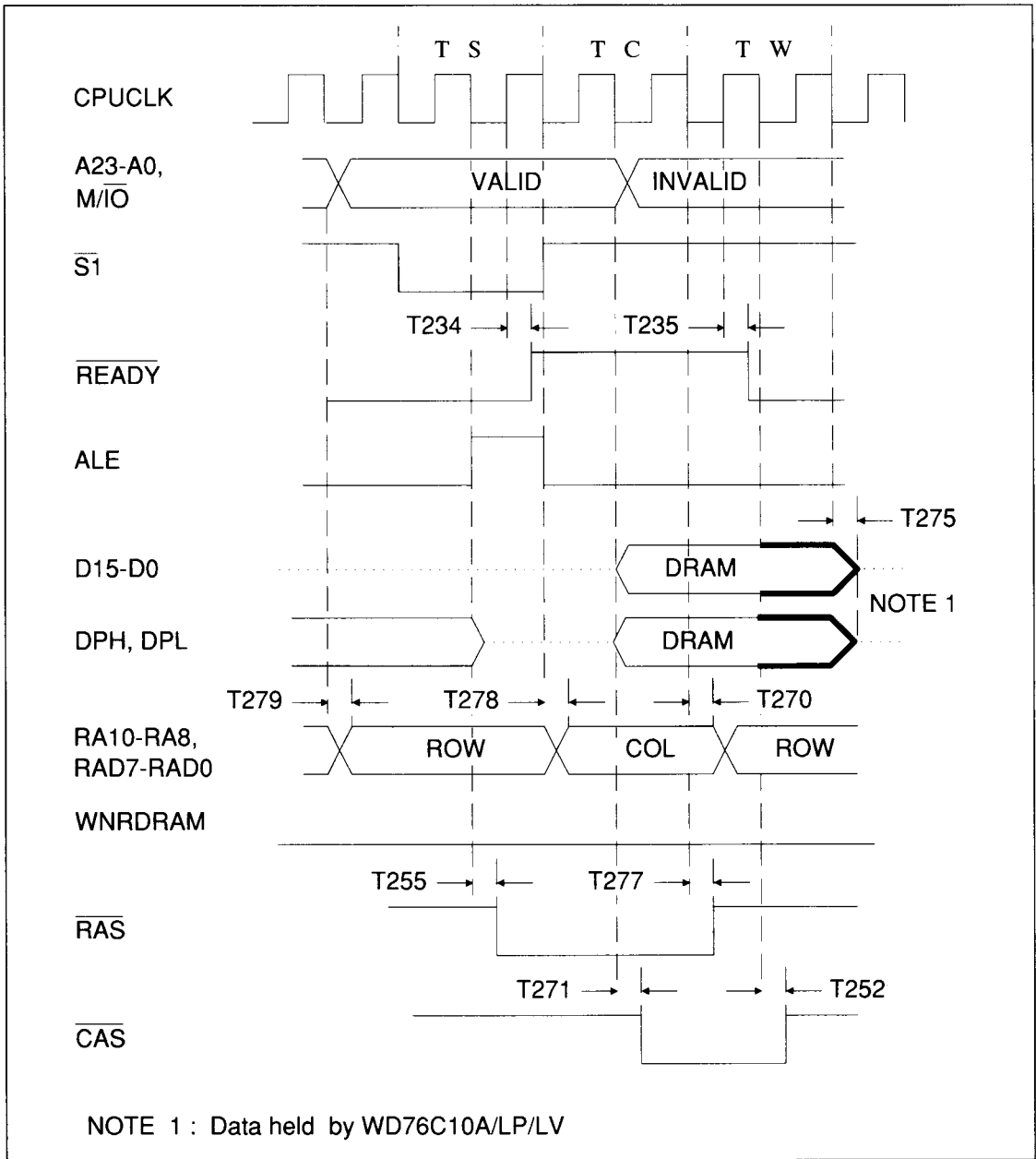


FIGURE 11-8. 80286 - NON-PAGE MODE 00, 1 WAIT STATE READ (4072H = 0001)





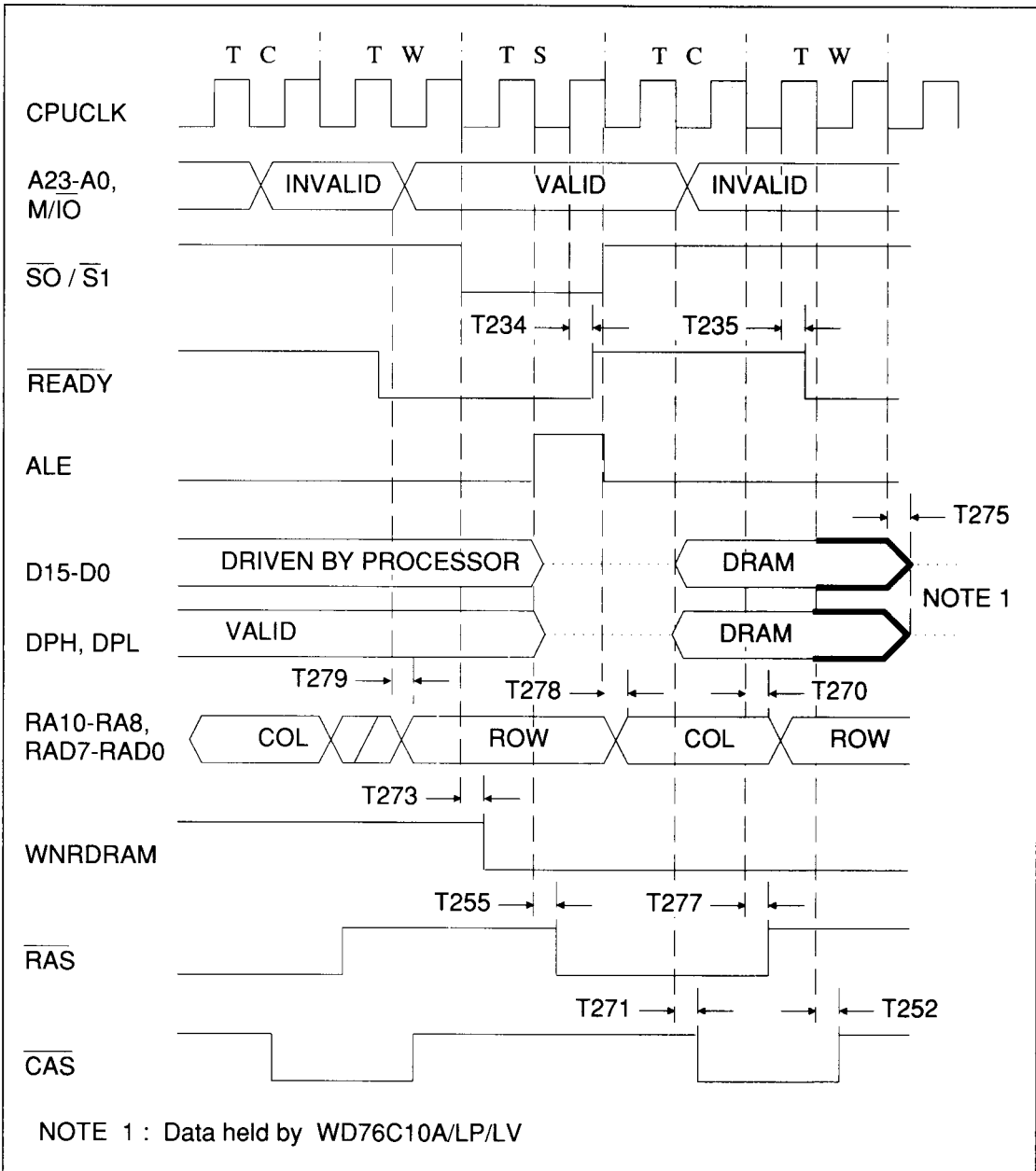


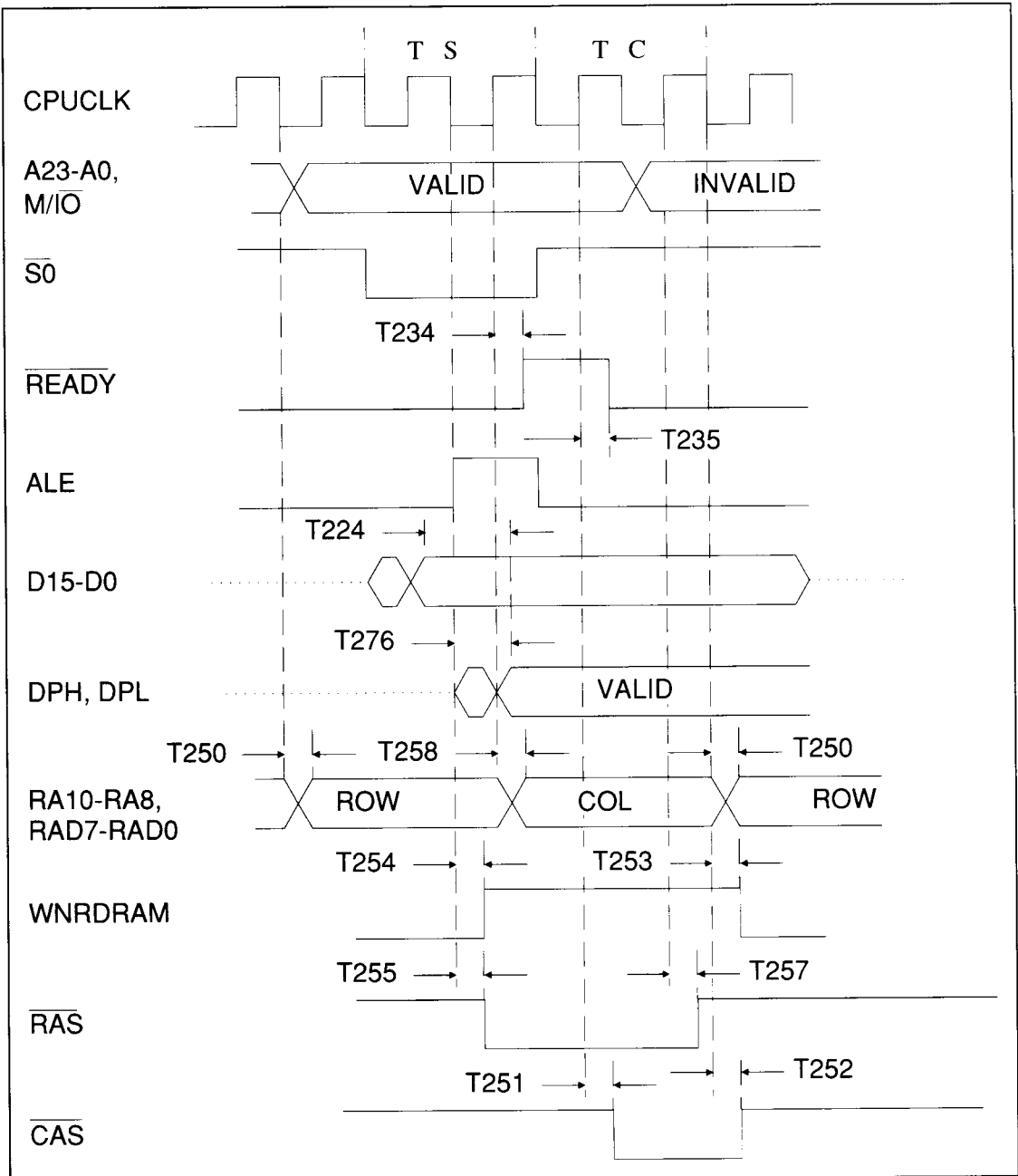
FIGURE 11-9. 80286 - NON-PAGE MODE MODE 00, 2 WAIT STATES READ AFTER WRITE (4072H = 0001)

## 11.1.3 80286 Non-Page Mode 01 Timing

SYMBOL	CHARACTERISTIC	MAX 12.5 MHz	MAX 20 MHz
T224	See Table 11-3		
T234	See Table 11-3		
T235	See Table 11-3		
T252	See Table 11-4		
T253	CPUCLK fall to WNRDRAM fall	34	31
T254	CPUCLK fall to WNRDRAM rise	34	31
T255	See Table 11-4		
T257	CPUCLK rise to $\overline{\text{RAS}}$ rise	35	32
T258	CPUCLK rise to COLUMN address valid	44	40
T276	See Table 11-4		

TABLE 11-5. 80286 - NON-PAGE MODE 01 MEMORY TIMING





5

FIGURE 11-10. 80286 - NON-PAGE MODE 01, 0 WAIT STATE WRITE (4072H = 3560H)



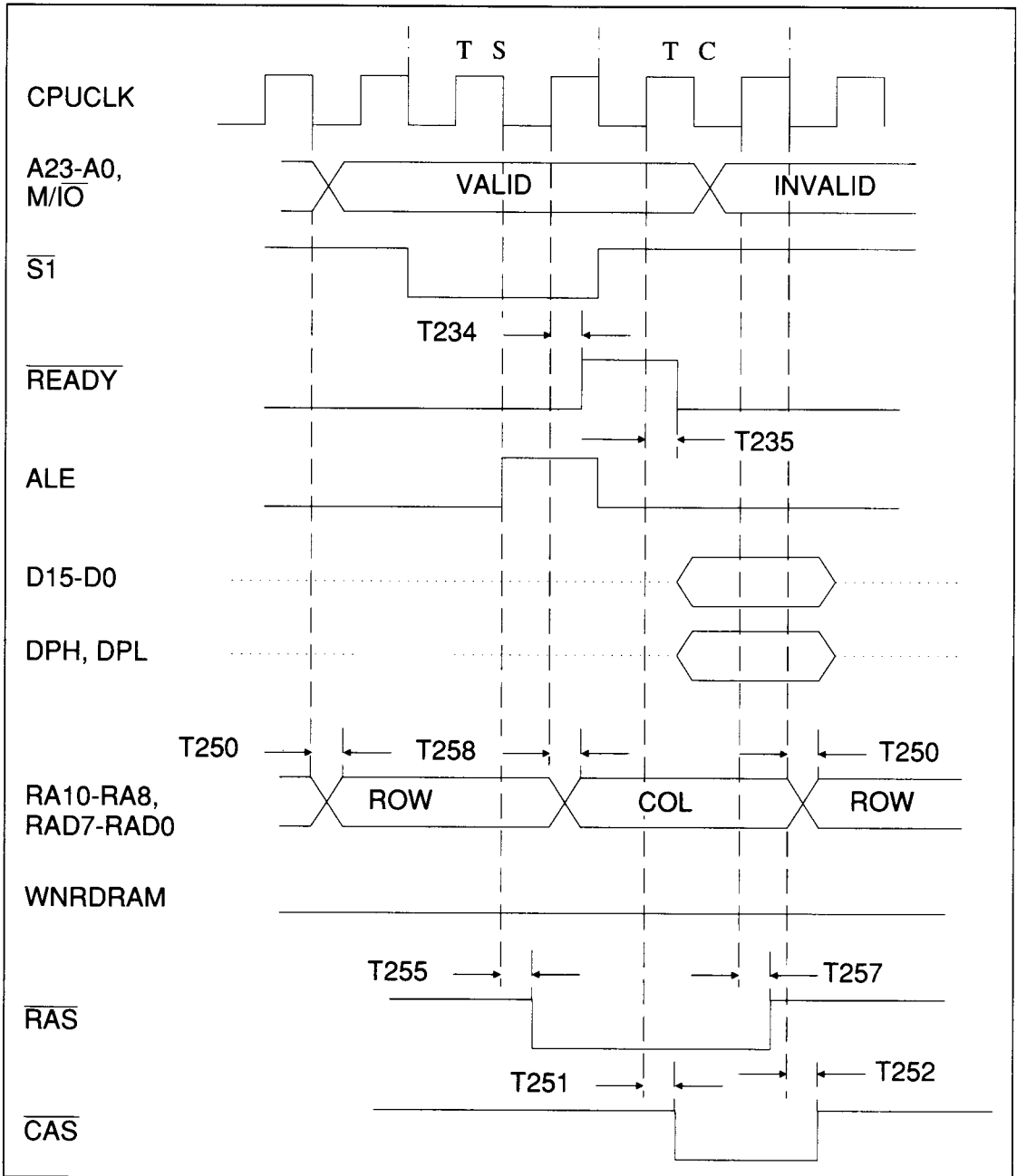


FIGURE 11-11. 80286 - NON-PAGE MODE 01, 0 WAIT STATE READ  
(4072H = 3560H)



## 11.1.4 80386SX Page Mode Timing

SYMBOL	CHARACTERISTIC	MAX 12.5 MHz	MAX 20 MHz	MAX 25 MHz
T200	Processor ADDRESS to RAM address valid, Page Hit		34	27
T201	CPUCLK rise to CAS fall, 2.5 CLK CAS		31	25
T202	CPUCLK fall to CAS rise		24	21
T203	CPUCLK fall to CAS fall, 2.0 CLK CAS		27	22
T204	Processor data to parity valid		25	20
T205	CPUCLK rise to RAM address valid, Page Miss		48	43
T206	CPUCLK rise to WNRDRAM rise		31	28
T207	CPUCLK fall to RAS fall, first access		27	21
T208	CPUCLK rise to COLUMN address valid		49	33
T209	CPUCLK rise to WNRDRAM fall		31	28
T212	CPUCLK rise to RAS rise, Page Miss		27	24
T213	CPUCLK fall to RAS fall, Page Miss		27	24
T214	CPUCLK rise to READY fall *		19	18
T215	CPUCLK rise to READY rise *		19	18

TABLE 11-6. 80386SX - PAGE MODE MEMORY TIMING

5



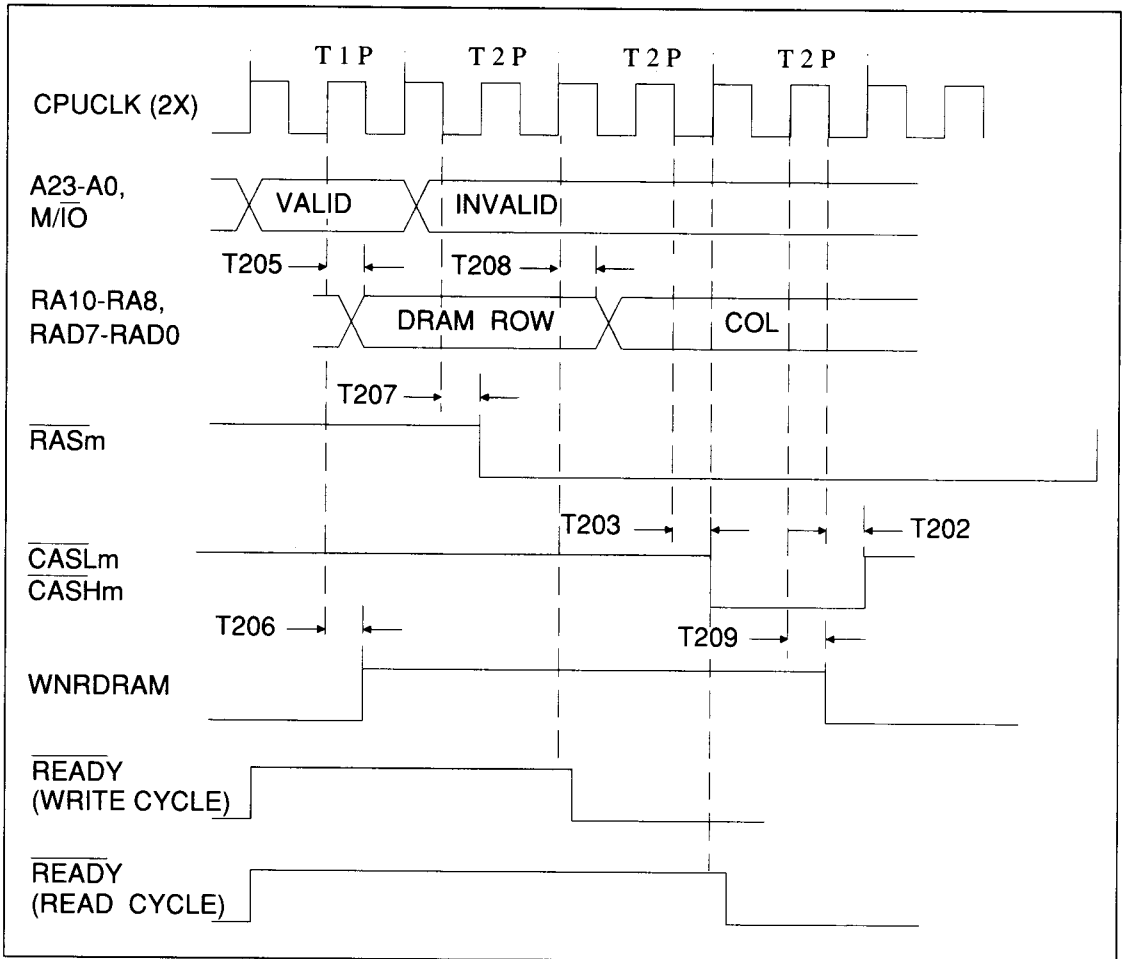
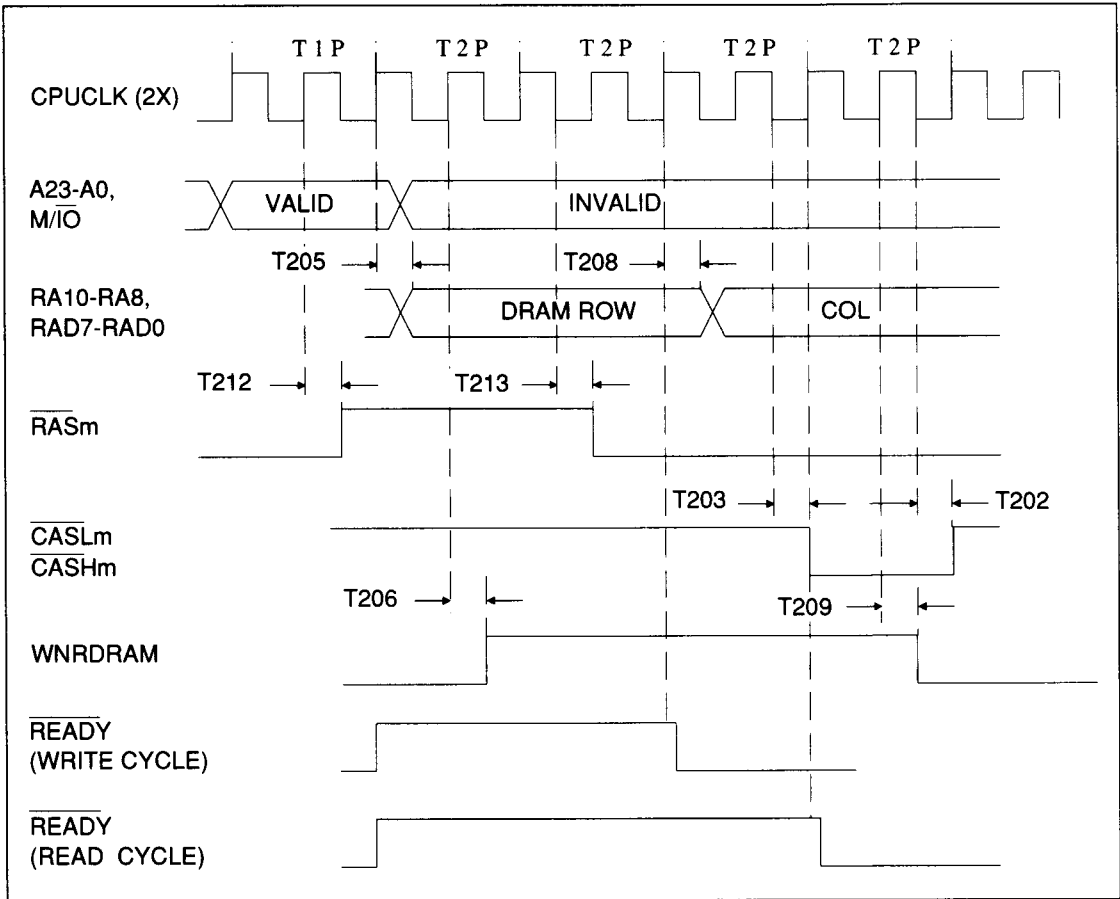


FIGURE 11-12. 80386SX - PAGE MODE, FIRST ACCESS READ/WRITE





5

FIGURE 11-13. 80386SX - PAGE MODE, PAGE MISS READ/WRITE



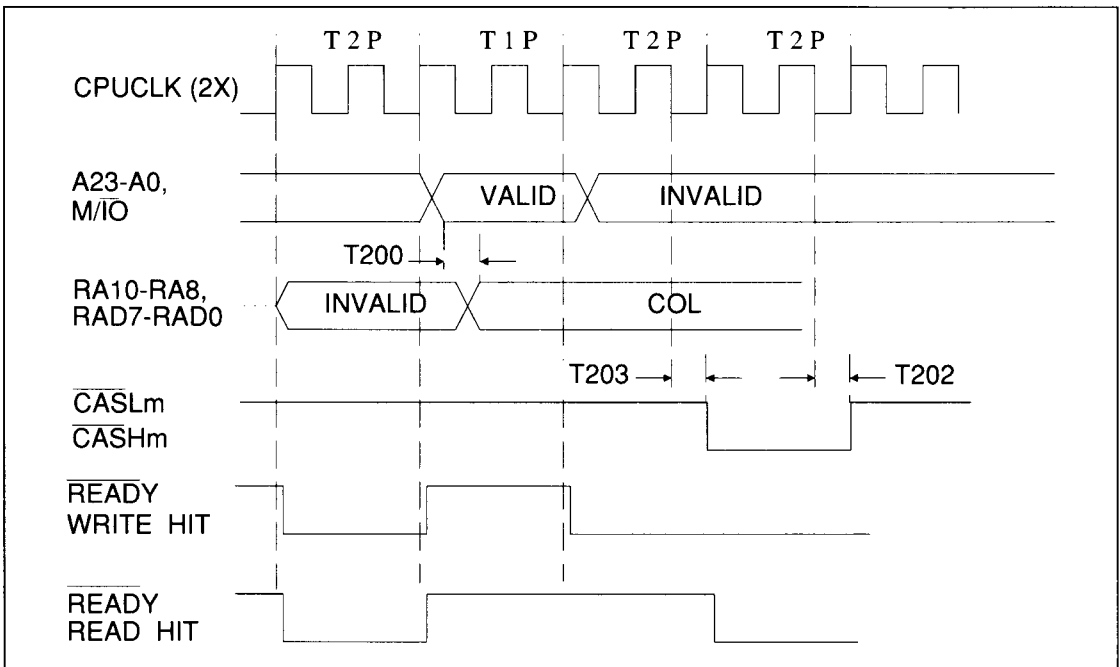


FIGURE 11-14. 80386SX - PAGE MODE, READ CYCLE FOLLOWED BY A PAGE HIT

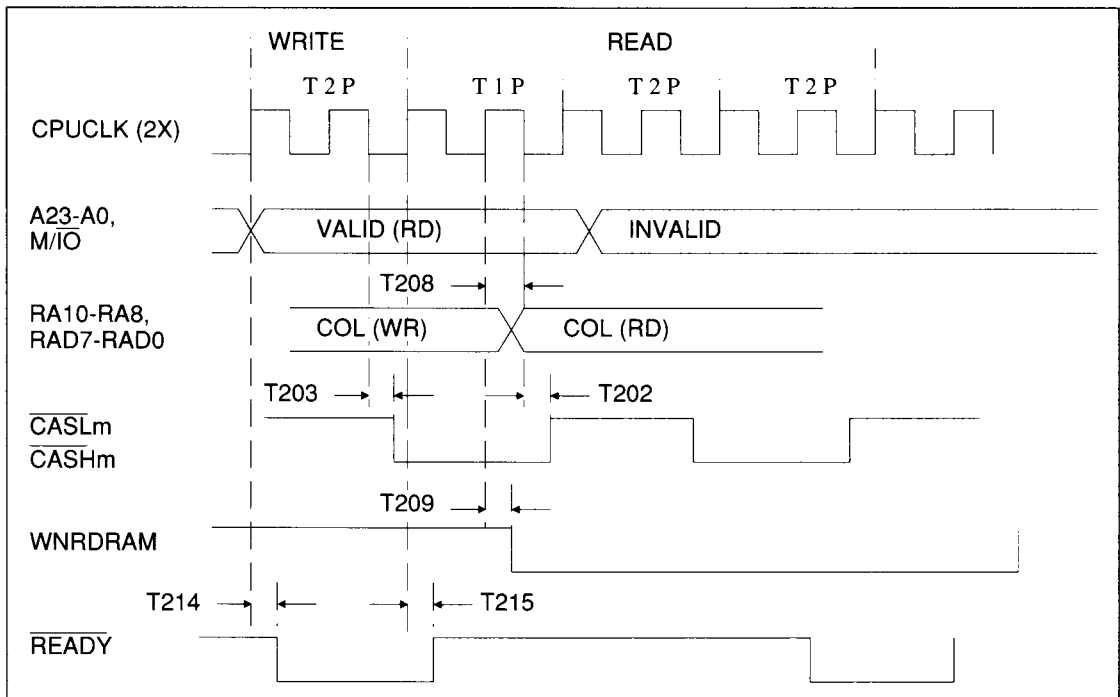


FIGURE 11-15. 80386SX - PAGE MODE, READ AFTER WRITE





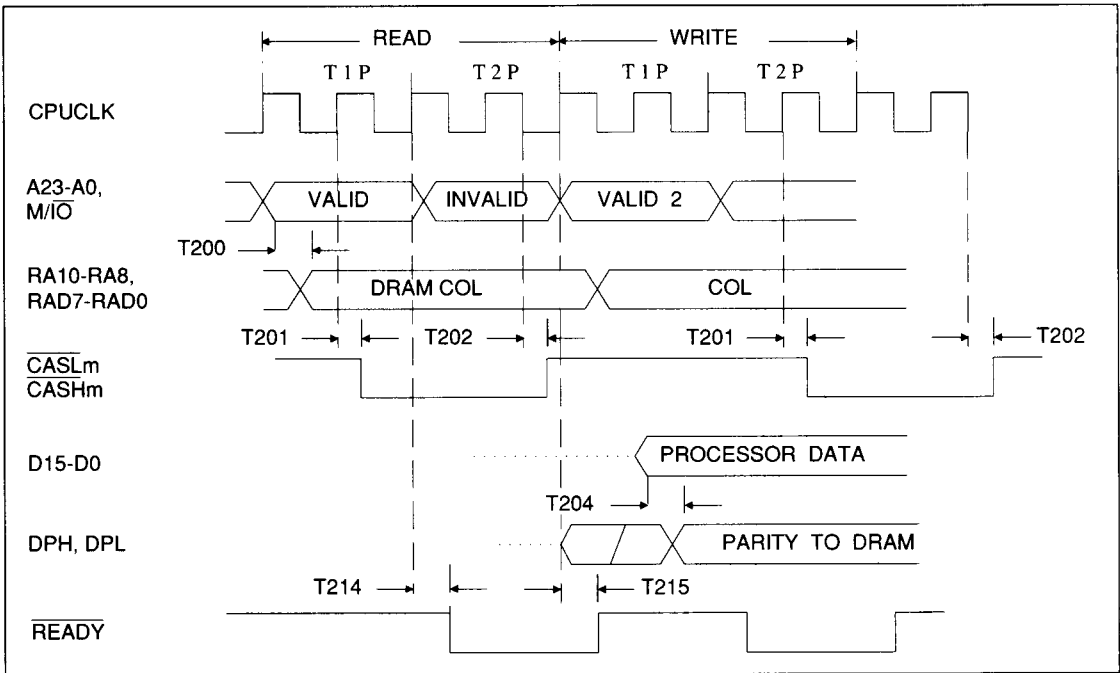


FIGURE 11-16. 80386SX - PAGE MODE, READ HIT FOLLOWED BY A WRITE HIT

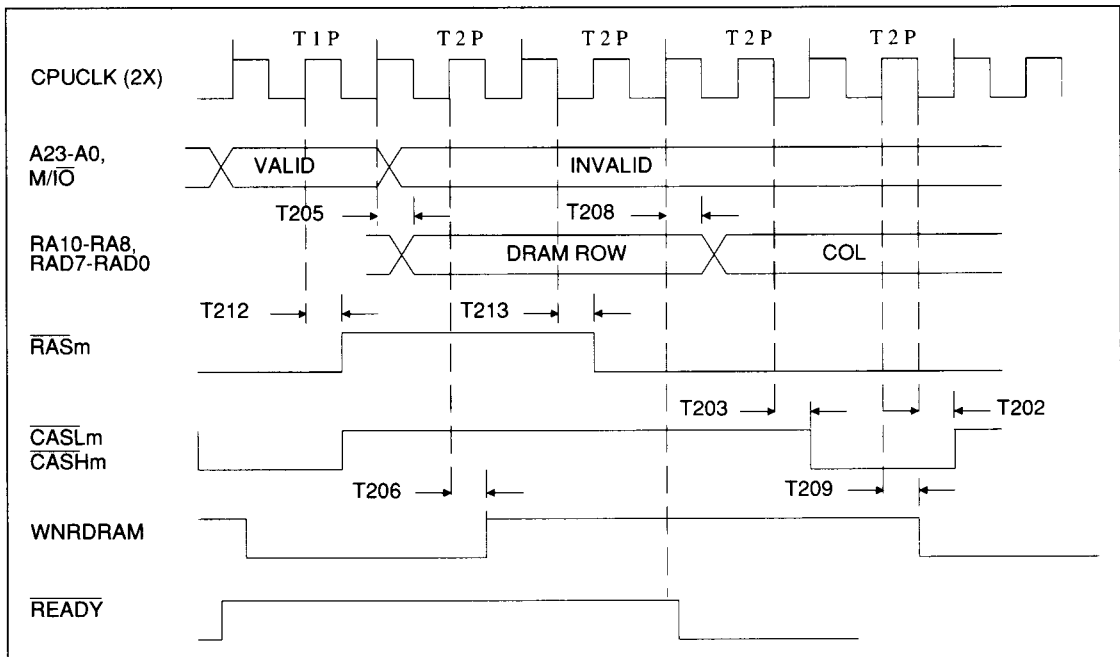


FIGURE 11-17. 80386SX - PAGE MODE, WRITE MISS CYCLE FOLLOWING A WRITE CYCLE

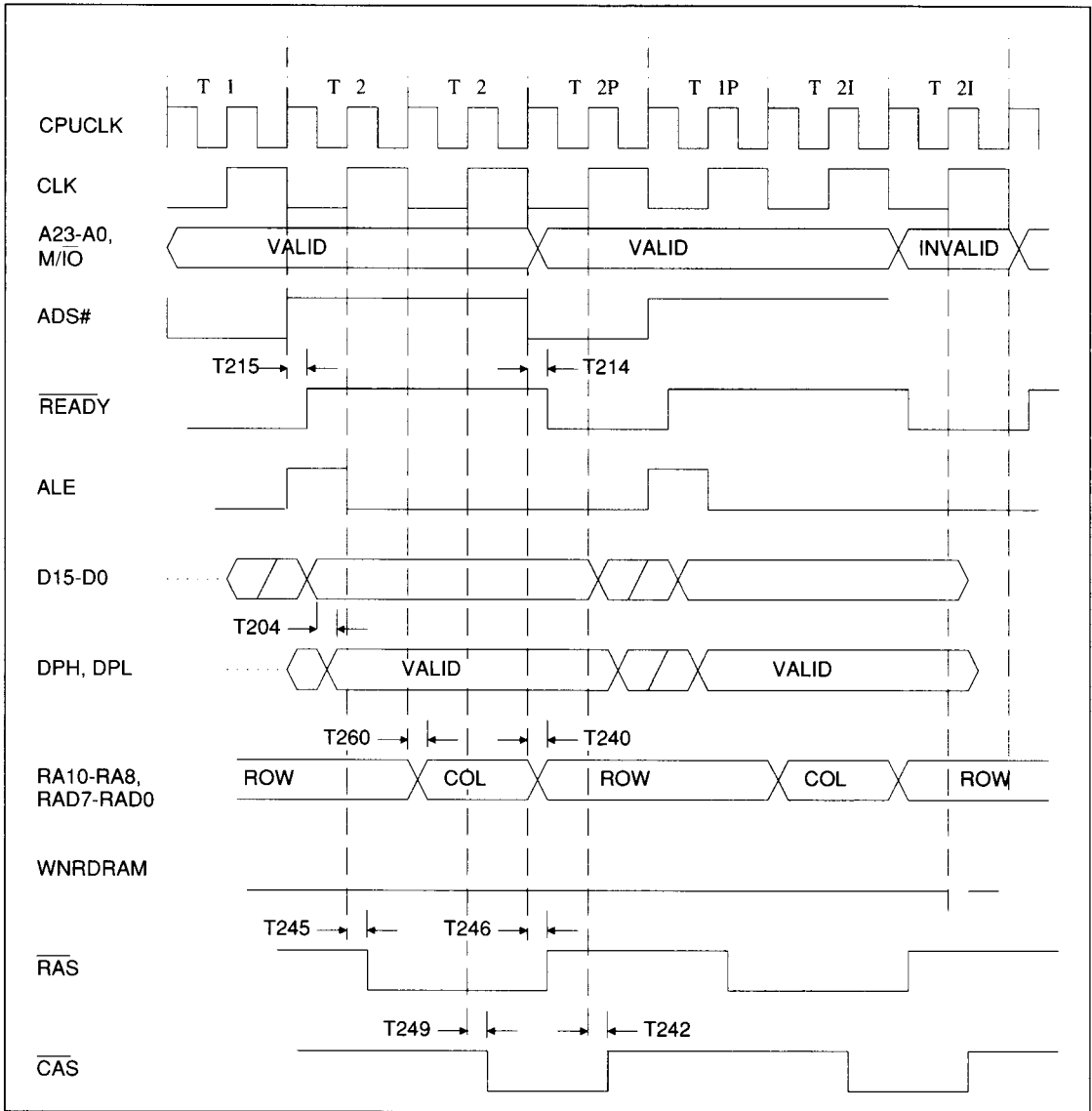


### 11.1.5 80386SX Non-Page Mode 00 And Mode 01 Timing

SYMBOL	CHARACTERISTIC	MAX 12.5 MHz	MAX 20 MHz	MAX 25 MHz
T204	See Table 11-6			
T214	See Table 11-6			
T215	See Table 11-6			
T240	CPUCLK rise to $\overline{\text{ROW}}$ address valid		42	42
T241	CPUCLK fall to $\overline{\text{CAS}}$ fall		27	27
T242	CPUCLK rise to $\overline{\text{CAS}}$ rise		28	24
T243	CPUCLK rise to $\overline{\text{WNRDRAM}}$ fall		28	28
T244	CPUCLK rise to $\overline{\text{WNRDRAM}}$ rise		28	28
T245	CPUCLK rise to $\overline{\text{RAS}}$ fall		25	23
T246	CPUCLK rise to $\overline{\text{RAS}}$ rise		25	23
T247	CPUCLK fall to $\overline{\text{RAS}}$ rise		29	29
T248	CPUCLK fall to $\overline{\text{COLUMN}}$ address valid		44	44
T249	CPUCLK rise to $\overline{\text{CAS}}$ fall		29	29
T260	CPUCLK rise to $\overline{\text{COLUMN}}$ address		43	41

**TABLE 11-7. 80386SX - NON-PAGE MODE 00 AND MODE 01 MEMORY TIMING**





5

FIGURE 11-18. 80386SX - NON-PAGE MODE 00, 1 WAIT STATE READ (PIPELINE)  
(4072H = 0001)



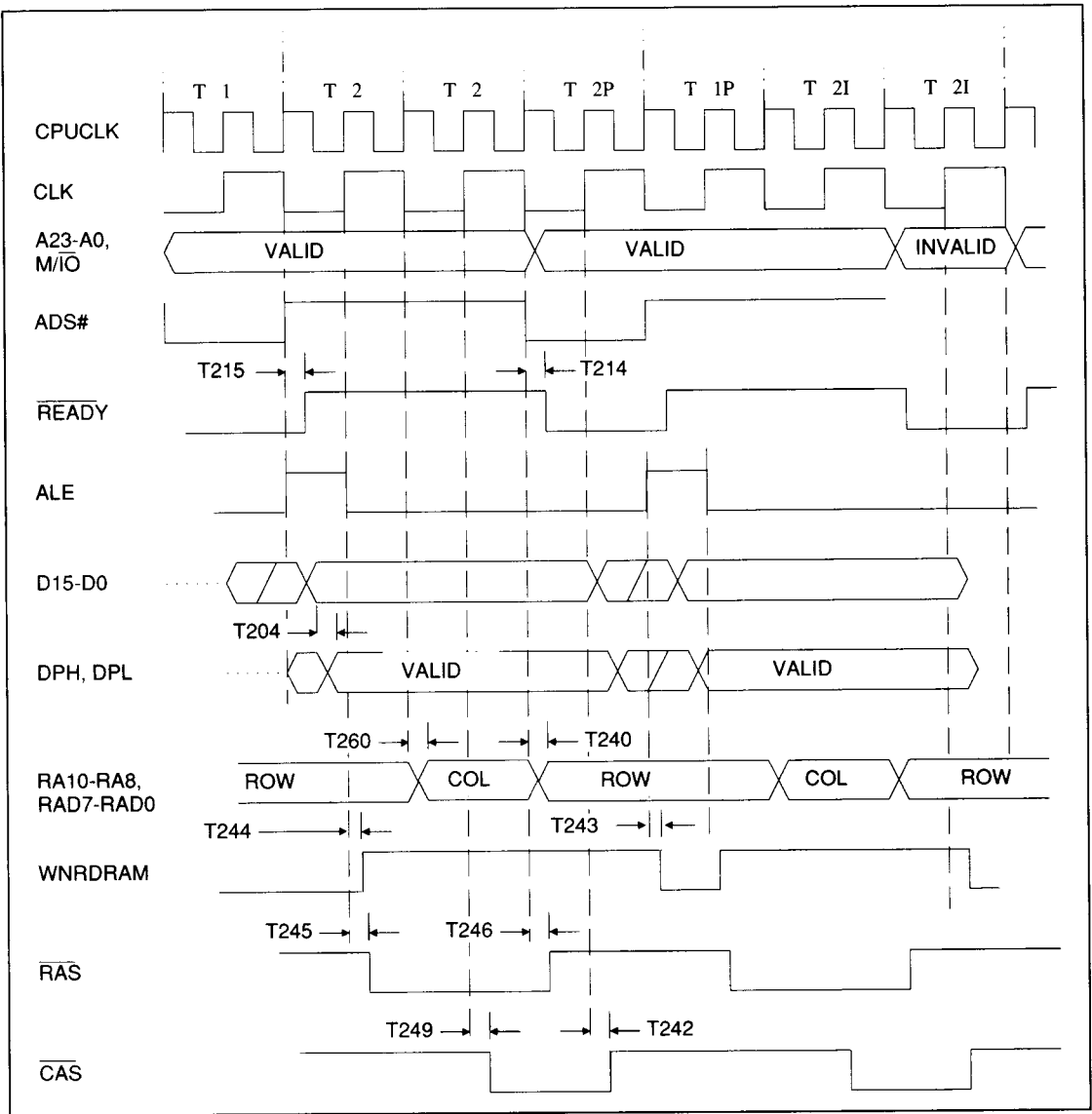


FIGURE 11-19. 80386SX - NON-PAGE MODE 00, 1 WAIT STATE WRITE (PIPELINE)  
(4072H = 0001)



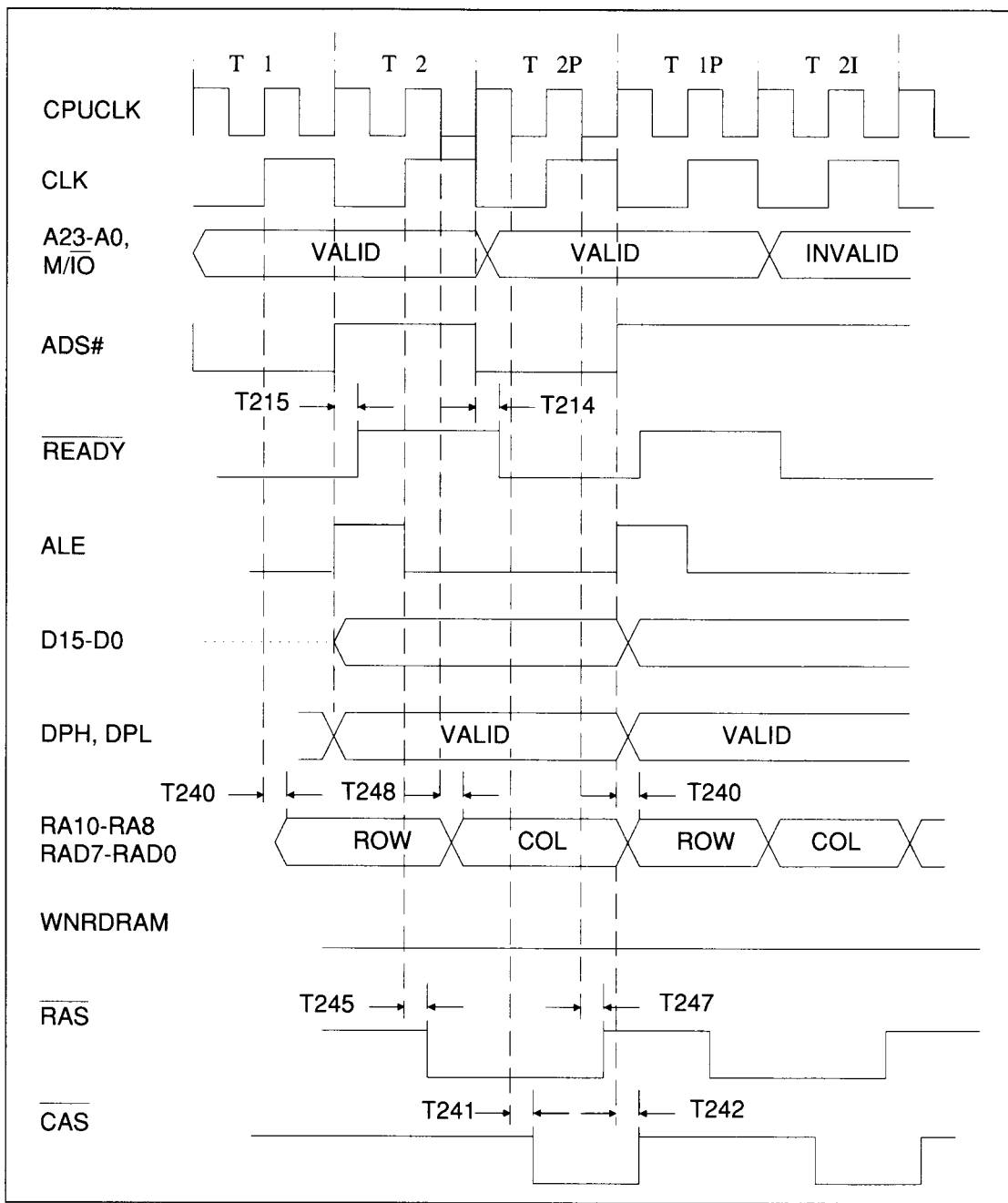


FIGURE 11-20. 80386SX - NON-PAGE MODE 01, 0 WAIT STATE READ (PIPELINE)  
(4072H = 3560H)



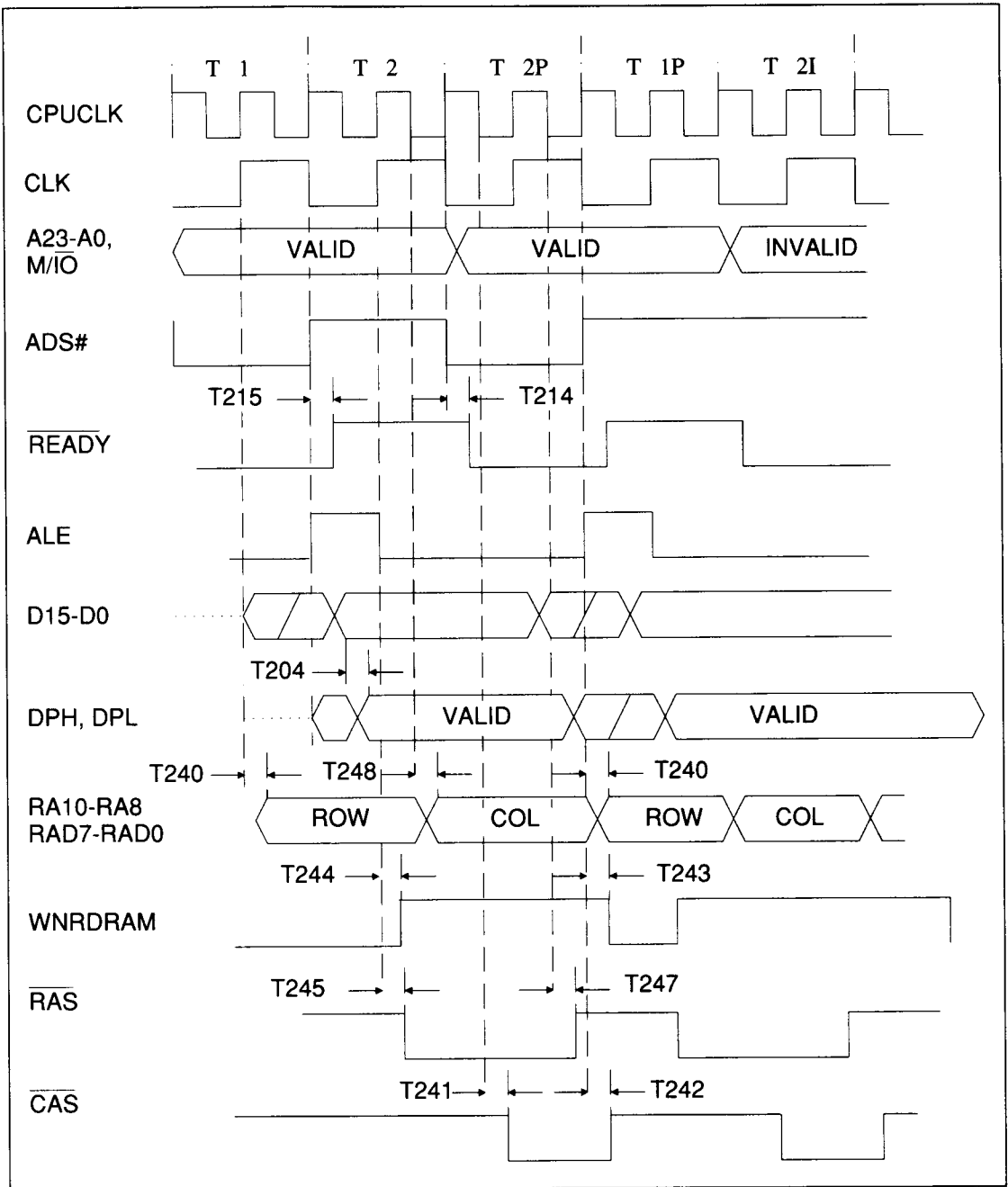


FIGURE 11-21. 80386SX - NON-PAGE MODE 01, 0 WAIT STATE READ (PIPELINE)  
(4072H = 3560H)



## 11.2 AT BUS TIMING

The AT Bus timing is divided into six major categories:

1. CPU initiated AT Bus cycles.
2. Entering the AT Bus.
3. Exiting the AT Bus.
4. DMA cycles.

5. AT Bus Master cycles.
6. AT Bus refresh cycle

Some figures in this section are included only to show the sequence of the signals during certain operations. In these figures, no timing parameters are provided.

### 11.2.1 CPU Initiated AT Bus Cycles

SYMBOL	CHARACTERISTIC	MIN	MAX	UNITS	TEST CONDITIONS
T00	SYSCLK Cycle Time	100		ns	
T01	SYSCLK fall to $\overline{\text{BALE}}$ rise		12	ns	
T02	SYSCLK rise to $\overline{\text{BALE}}$ fall		9	ns	
T03	SYSCLK fall to $\overline{\text{MEMR}}$ fall		9	ns	8-bit cycle
T04	SYSCLK rise to $\overline{\text{MEMR}}$ rise		6	ns	
T05	SYSCLK fall to $\overline{\text{IOR}}$ fall		10	ns	
T06	SYSCLK rise to $\overline{\text{IOR}}$ rise		7	ns	
T07	SYSCLK rise to $\overline{\text{DENO}}$ fall		7	ns	Read Cycle
T08	SYSCLK rise to $\overline{\text{DENO}}$ rise		11	ns	Read Cycle
T09	SYSCLK rise to $\overline{\text{DEN1}}$ fall		7	ns	Read Cycle
T10	SYSCLK rise to $\overline{\text{DEN1}}$ rise		9	ns	Read Cycle
T11	SYSCLK fall to DTR fall		19	ns	Delay is number given plus $(T00 \times 0.25)$
T12	SYSCLK rise to DTR rise		14	ns	Delay is number given plus $(T00 \times 0.25)$
T13	SYSCLK fall to $\overline{\text{SDEN}}$ fall		10	ns	
T14	SYSCLK rise to $\overline{\text{SDEN}}$ rise		8	ns	
T15	SYSCLK fall to SDTR rise		14	ns	Delay is number given plus $(T00 \times 0.25)$
T16	SYSCLK rise to SDTR fall		11	ns	Delay is number given plus $(T00 \times 0.25)$
T17	$\overline{\text{MEMCS16}}$ setup time to SYSCLK rise	25		ns	
T18	$\overline{\text{MEMCS16}}$ hold time from SYSCLK rise	0		ns	
T19	$\overline{\text{IOCS16}}$ setup time to SYSCLK fall	23		ns	
T20	$\overline{\text{IOCS16}}$ hold time from SYSCLK fall	0		ns	8-bit cycle

TABLE 11-8. CPU INITIATED AT BUS CYCLES



SYMBOL	CHARACTERISTIC	MIN	MAX	UNITS	TEST CONDITIONS	
T21	IOCHRDY setup time to SYSCLK rise	22		ns	Total setup time is number given plus delay through AT Bus data buffers.	
T22	IOCHRDY hold time from SYSCLK rise	0		ns		
T23	ZEROWS setup time to SYSCLK fall	24		ns		
T24	ZEROWS hold time from SYSCLK fall	0		ns		
T25	AT Bus data setup time to SYSCLK rise	22		ns		
T26	AT Bus data hold time from SYSCLK rise	0		ns		
T27	SYSCLK fall to $\overline{\text{MEMW}}$ fall		9	ns		
T28	SYSCLK rise to $\overline{\text{MEMW}}$ rise		5	ns		
T29	SYSCLK fall to $\overline{\text{IOW}}$ fall		10	ns		
T30	SYSCLK rise to $\overline{\text{IOW}}$ rise		8	ns		
T31	SYSCLK fall to $\overline{\text{DEN0}}$ fall		10	ns		Write cycle
T32	SYSCLK fall to $\overline{\text{DEN0}}$ rise		9	ns		Write cycle
T33	SYSCLK fall to $\overline{\text{DEN1}}$ fall		10	ns		Write cycle
T34	SYSCLK fall to $\overline{\text{DEN1}}$ rise		9	ns		Write cycle
T35	SYSCLK fall to $\overline{\text{SDEN}}$ rise		11	ns		
T36	SYSCLK fall to SA0 rise		16	ns		Word to byte conversion cycle
T37	SYSCLK rise to $\overline{\text{MEMR}}$ fall		6	ns		16-bit cycle
T38	IOCS16 hold time from SYSCLK rise	0		ns		16-bit cycle
T39	SYSCLK high time	-4	0	ns		(T00 + 2) plus number given

TABLE 11-8. CPU INITIATED BUS CYCLES (Continued)





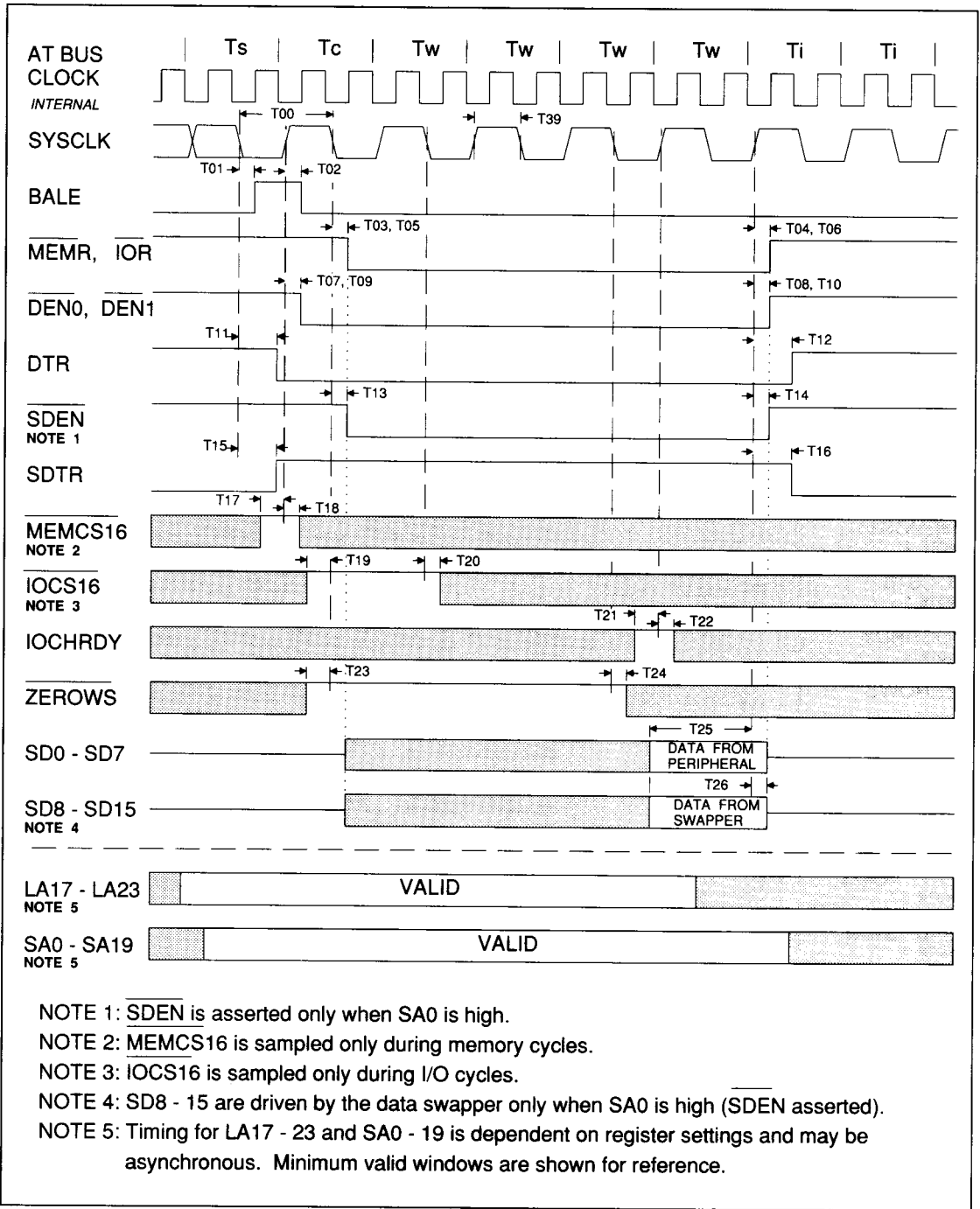


FIGURE 11-22. AT BUS I/O OR MEMORY READ: 8-BIT, DEFAULT TIMING



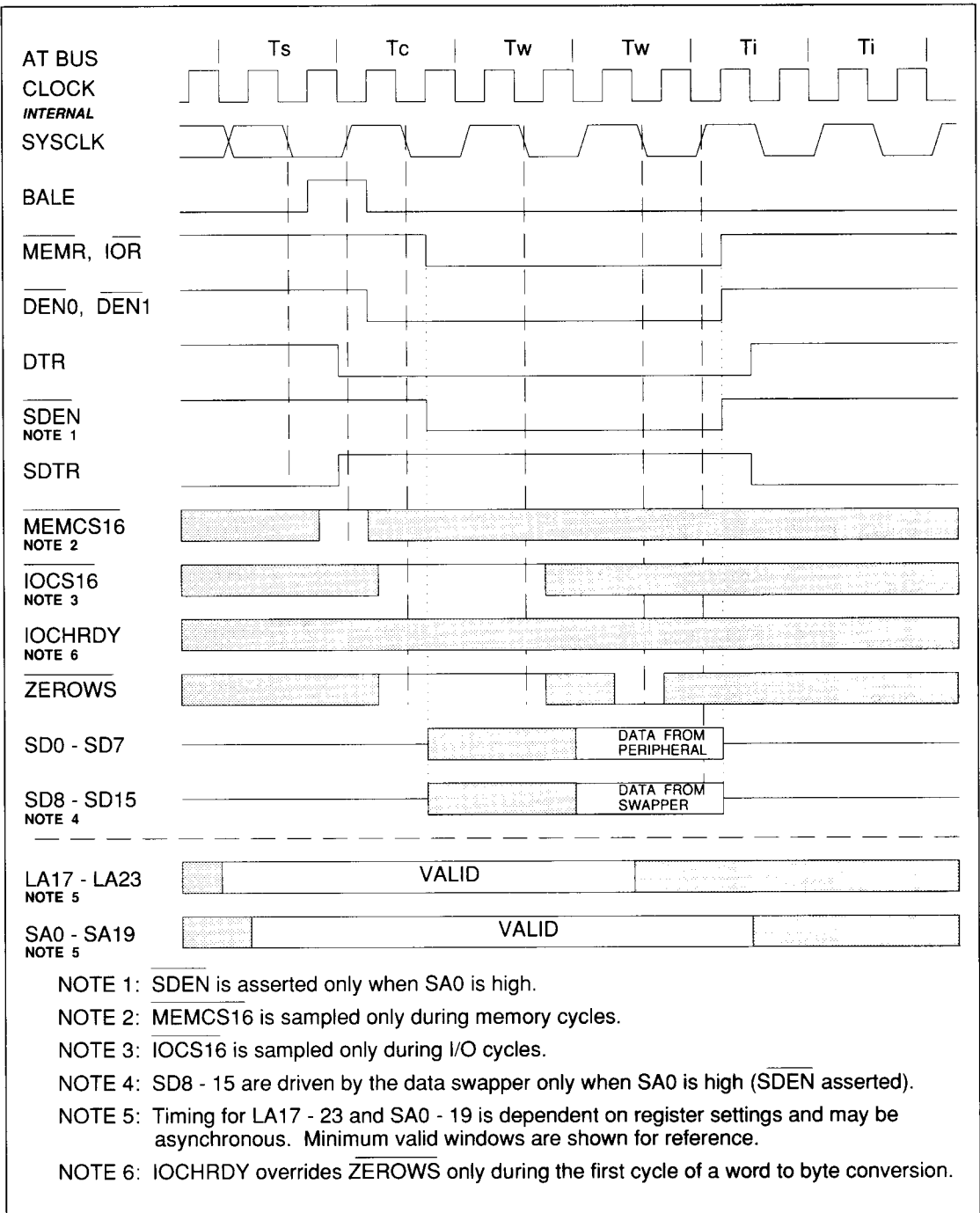
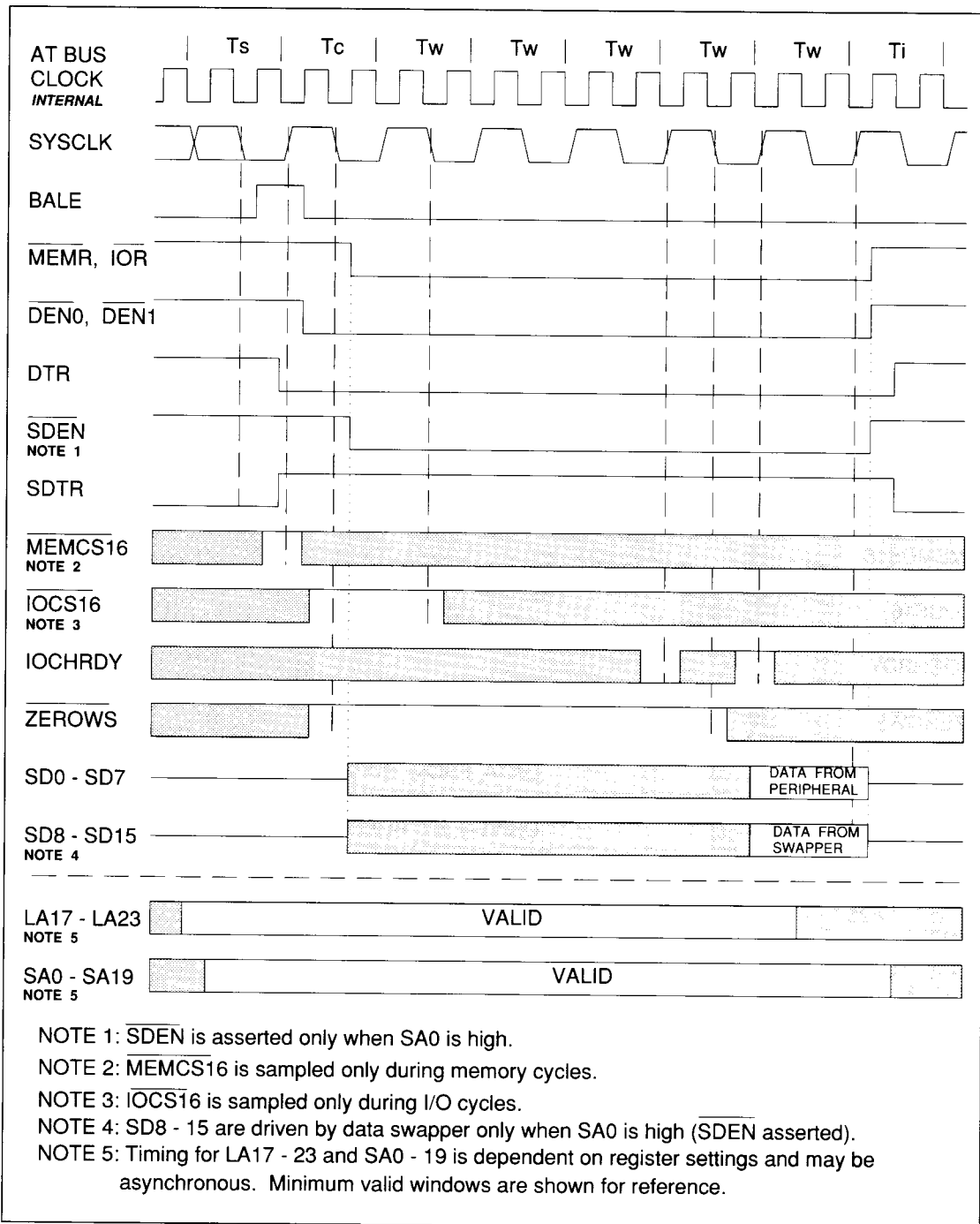


FIGURE 11-23. AT BUS I/O OR MEMORY READ: 8-BIT, ZEROWS ASSERTED





5

FIGURE 11-24. AT BUS I/O OR MEMORY READ: 8-BIT, EXTRA WAIT STATE ADDED

- NOTE 1:  $\overline{SDEN}$  is asserted only when SA0 is high.
- NOTE 2: MEMCS16 is sampled only during memory cycles.
- NOTE 3:  $\overline{IOCS16}$  is sampled only during I/O cycles.
- NOTE 4: SD8 - 15 are driven by data swapper only when SA0 is high ( $\overline{SDEN}$  asserted).
- NOTE 5: Timing for LA17 - 23 and SA0 - 19 is dependent on register settings and may be asynchronous. Minimum valid windows are shown for reference.



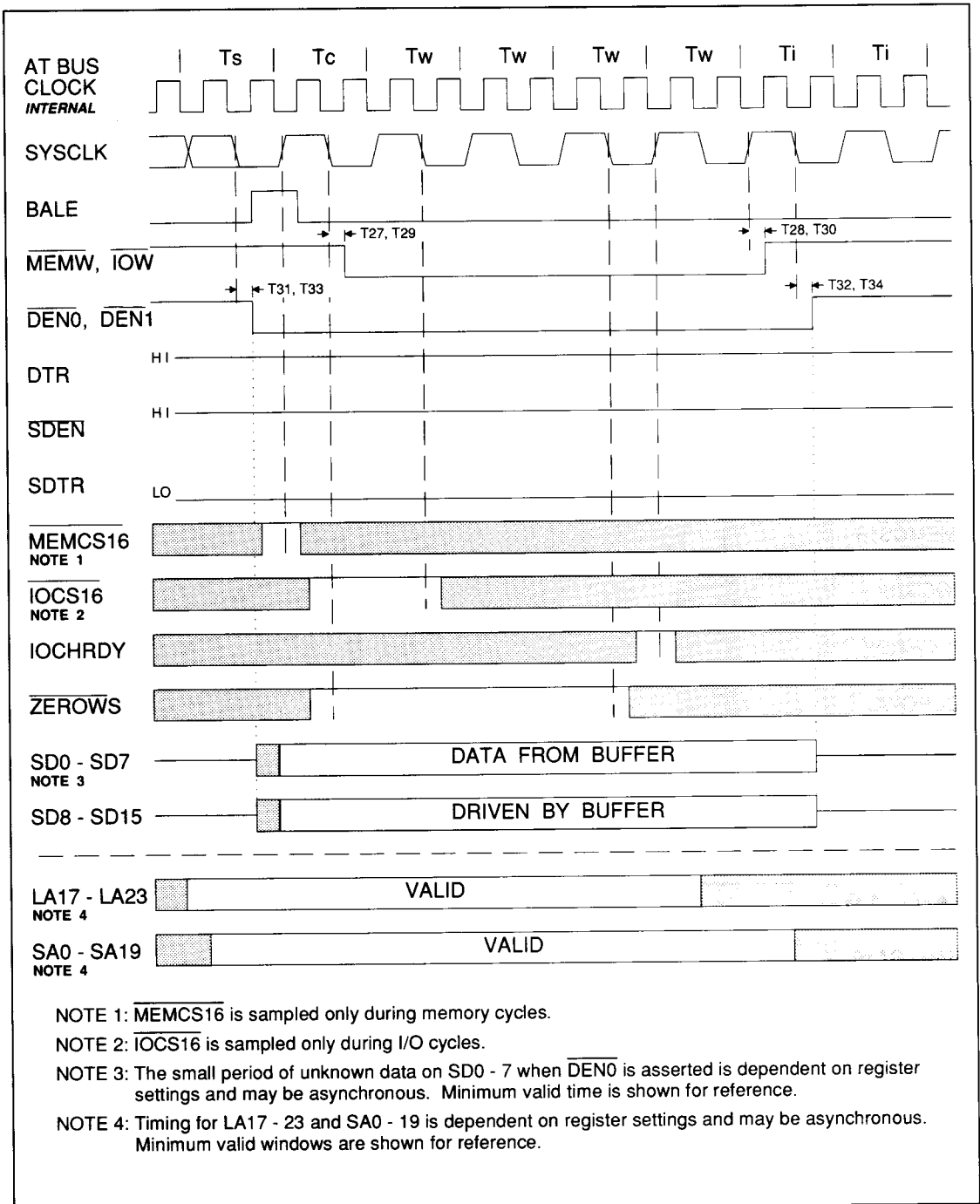


FIGURE 11-25. AT BUS I/O OR MEMORY WRITE: 8-BIT, EVEN BYTE, DEFAULT TIMING



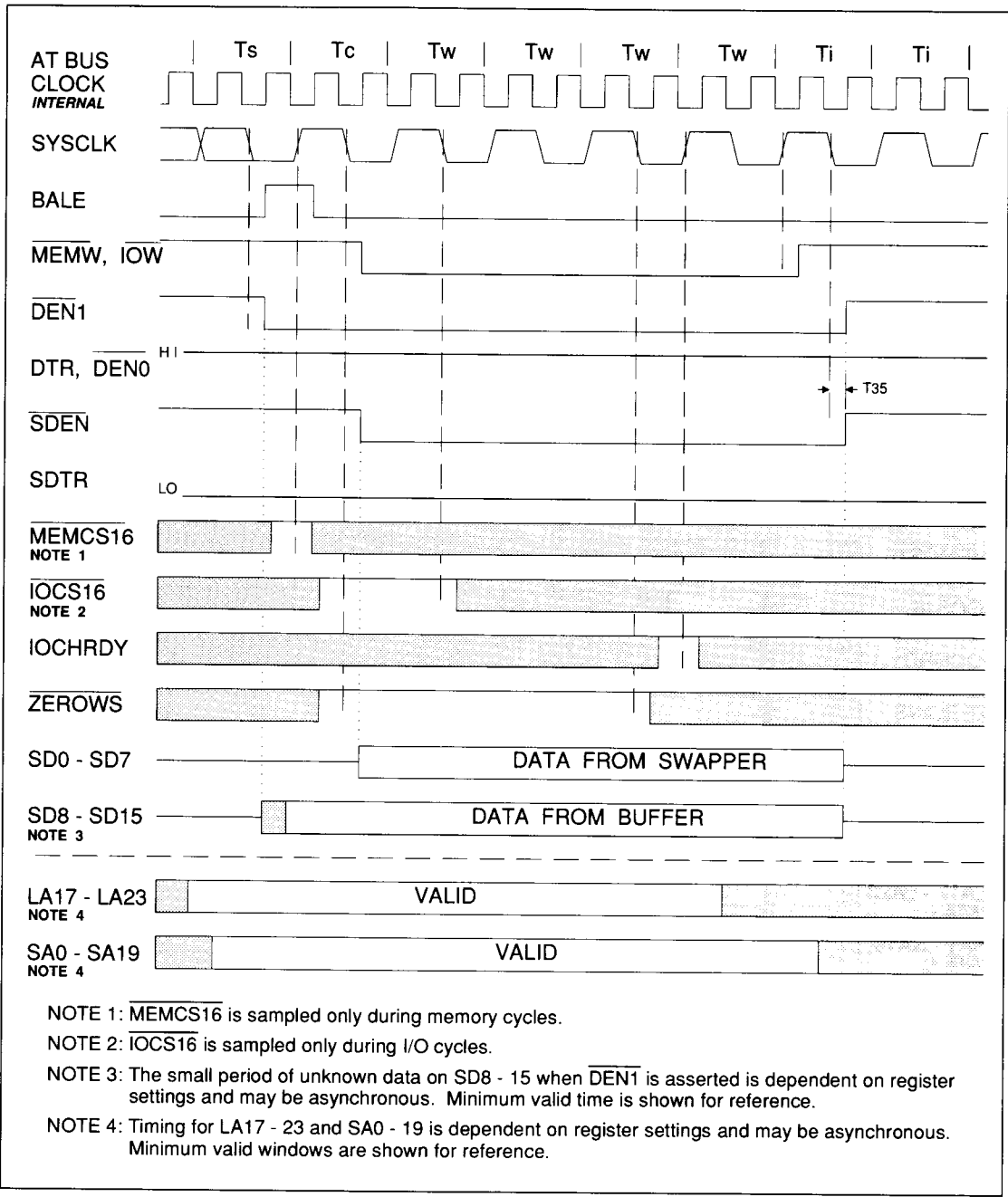


FIGURE 11-26. AT BUS I/O OR MEMORY WRITE: 8-BIT, ODD BYTE, DEFAULT TIMING

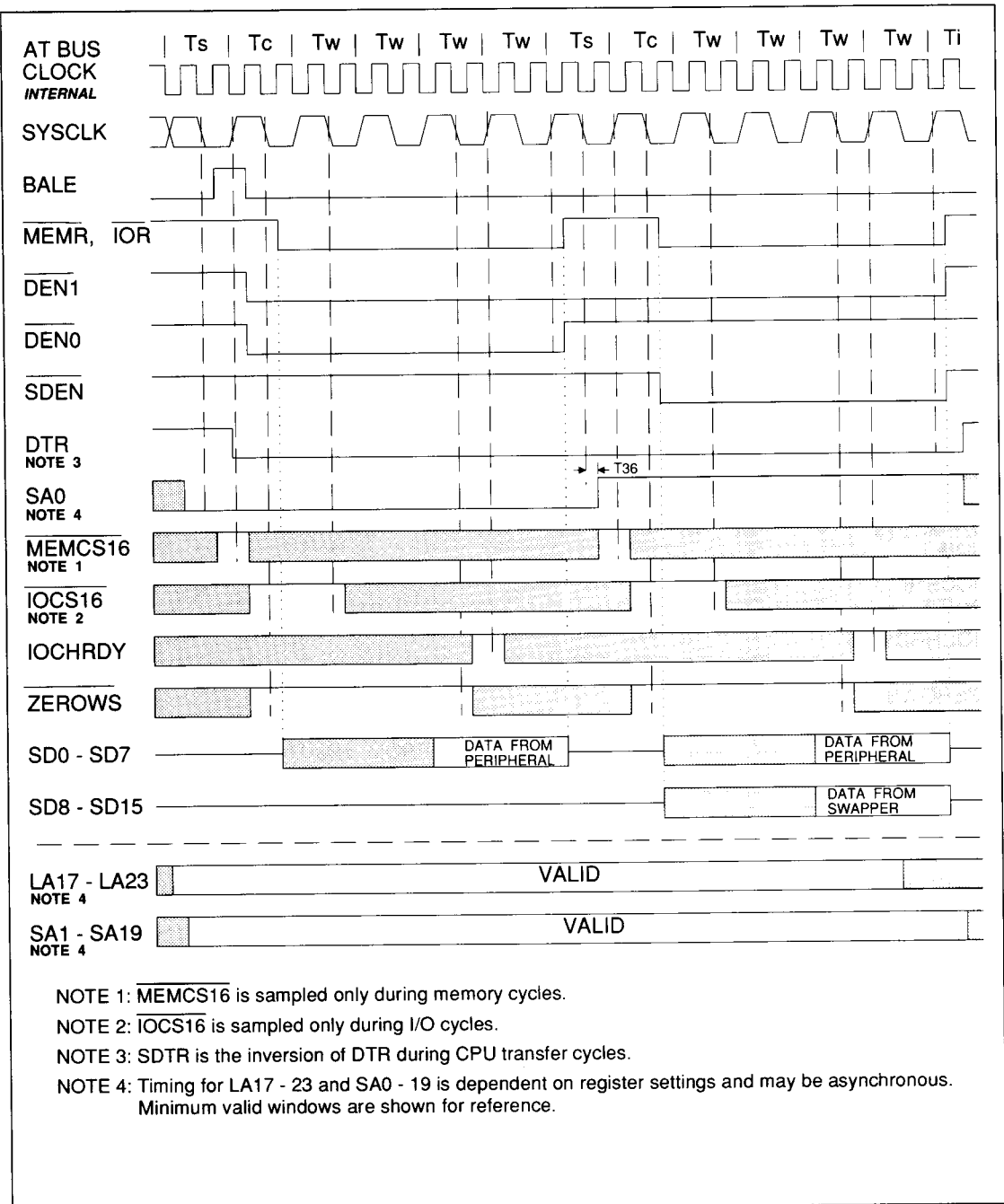


FIGURE 11-27. AT BUS I/O OR MEMORY READ: 8-BIT, WORD TO BYTE CONVERSION, DEFAULT TIMING



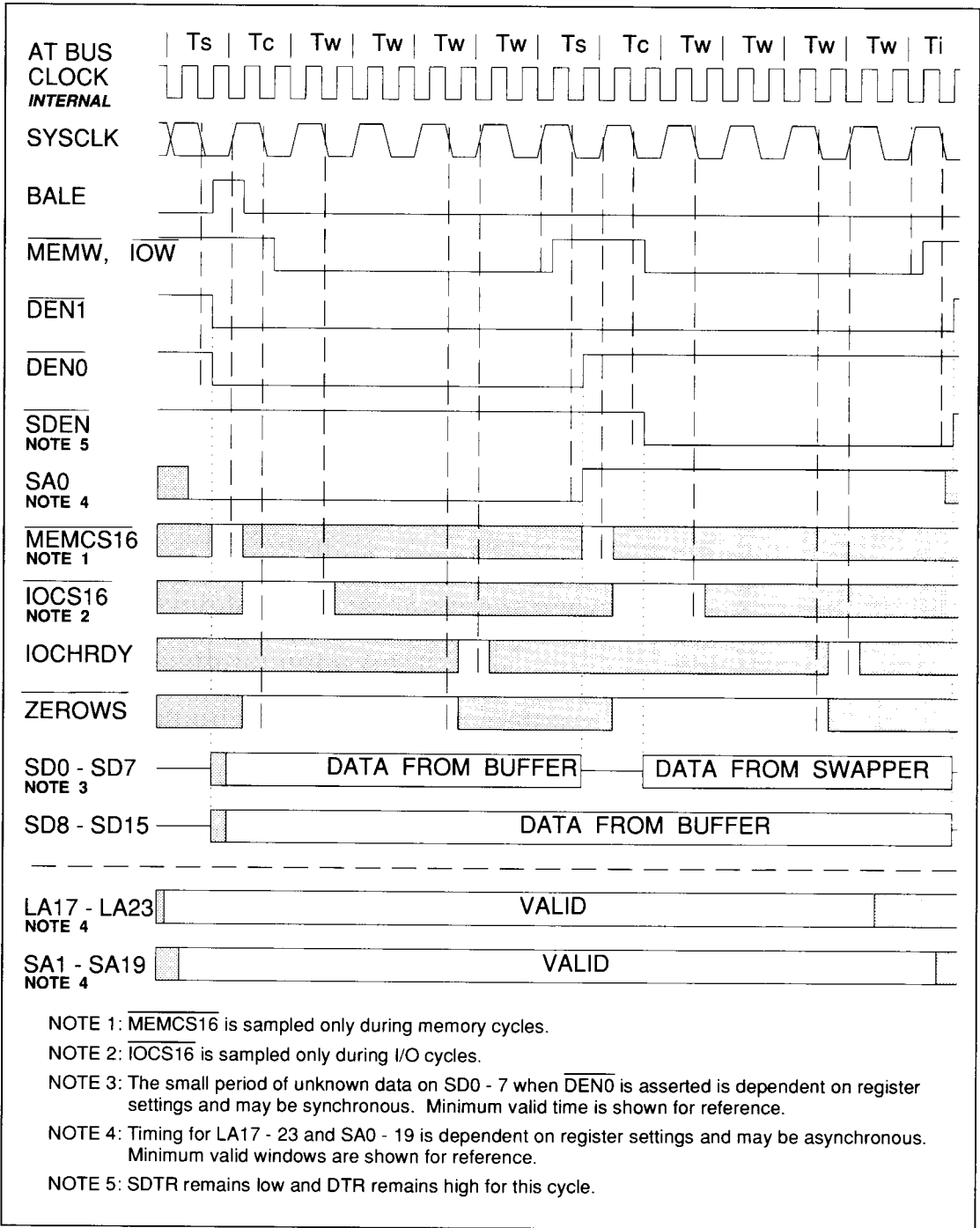


FIGURE 11-28. AT BUS I/O OR MEMORY WRITE: 8-BIT, WORD TO BYTE CONVERSION, DEFAULT TIMING



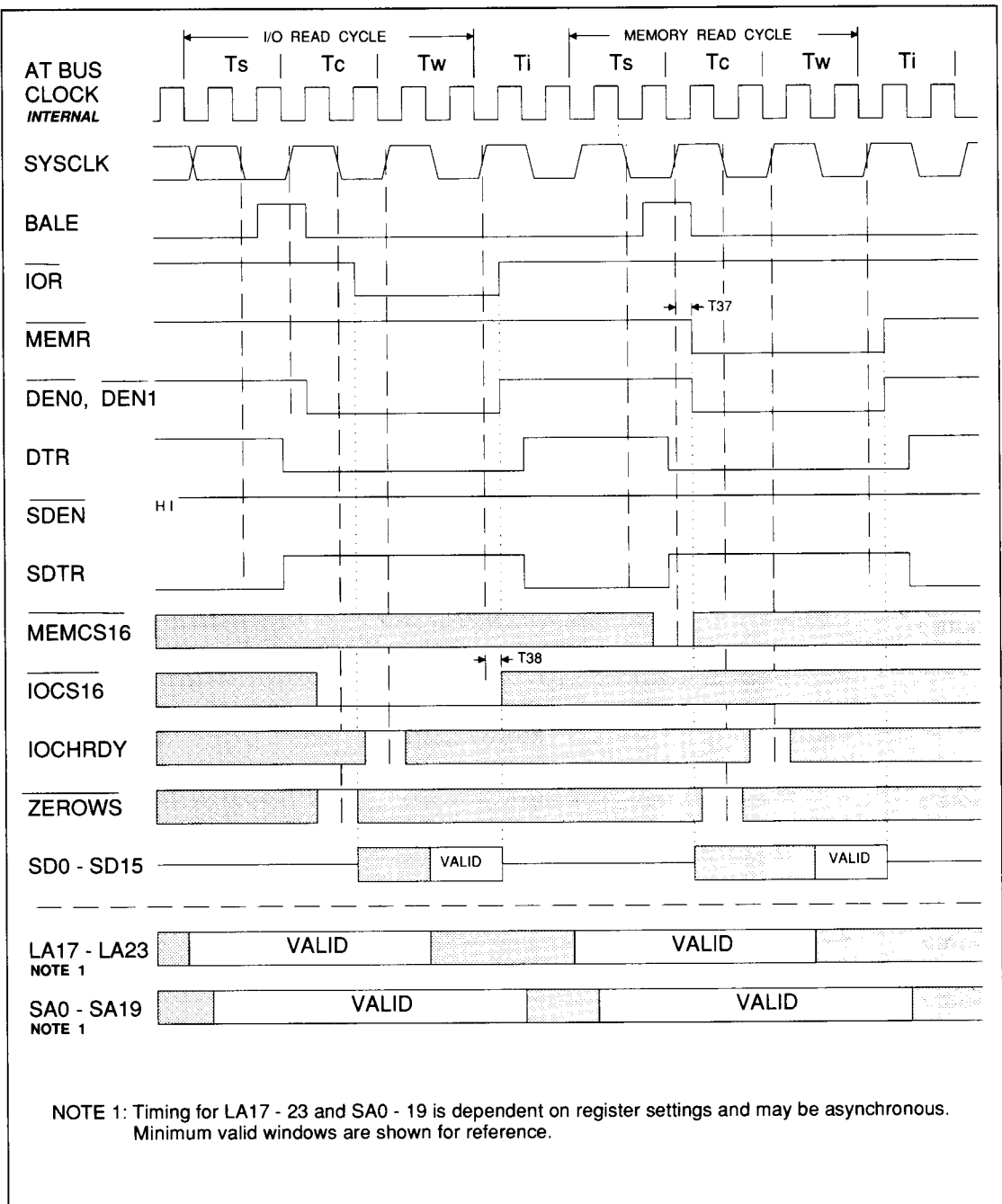


FIGURE 11-29. AT BUS I/O OR MEMORY READ: 16-BIT, DEFAULT TIMING





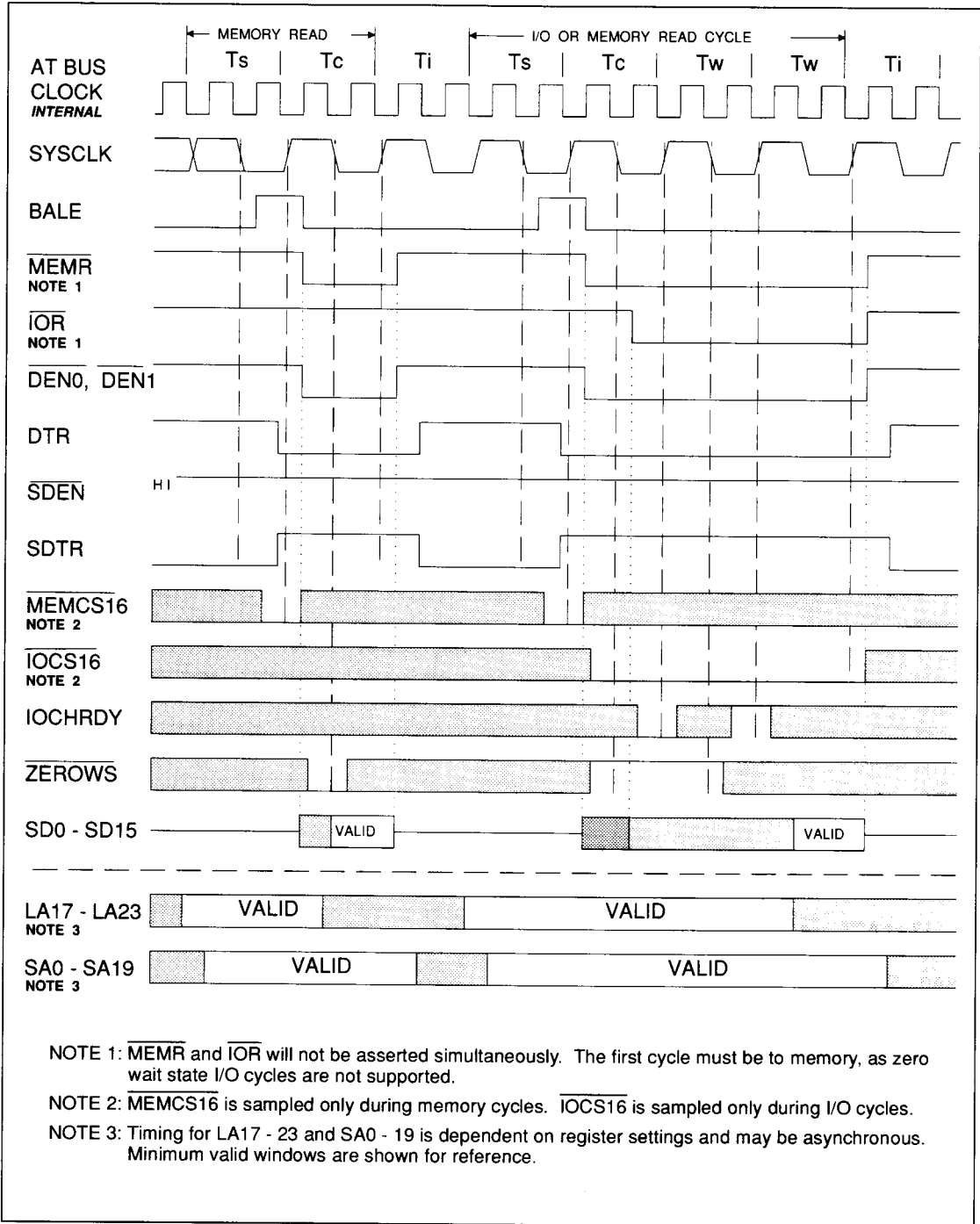


FIGURE 11-30. AT BUS I/O OR MEMORY READ: 16-BIT, 0WS ASSERTED AND EXTRA WAIT STATE ADDED



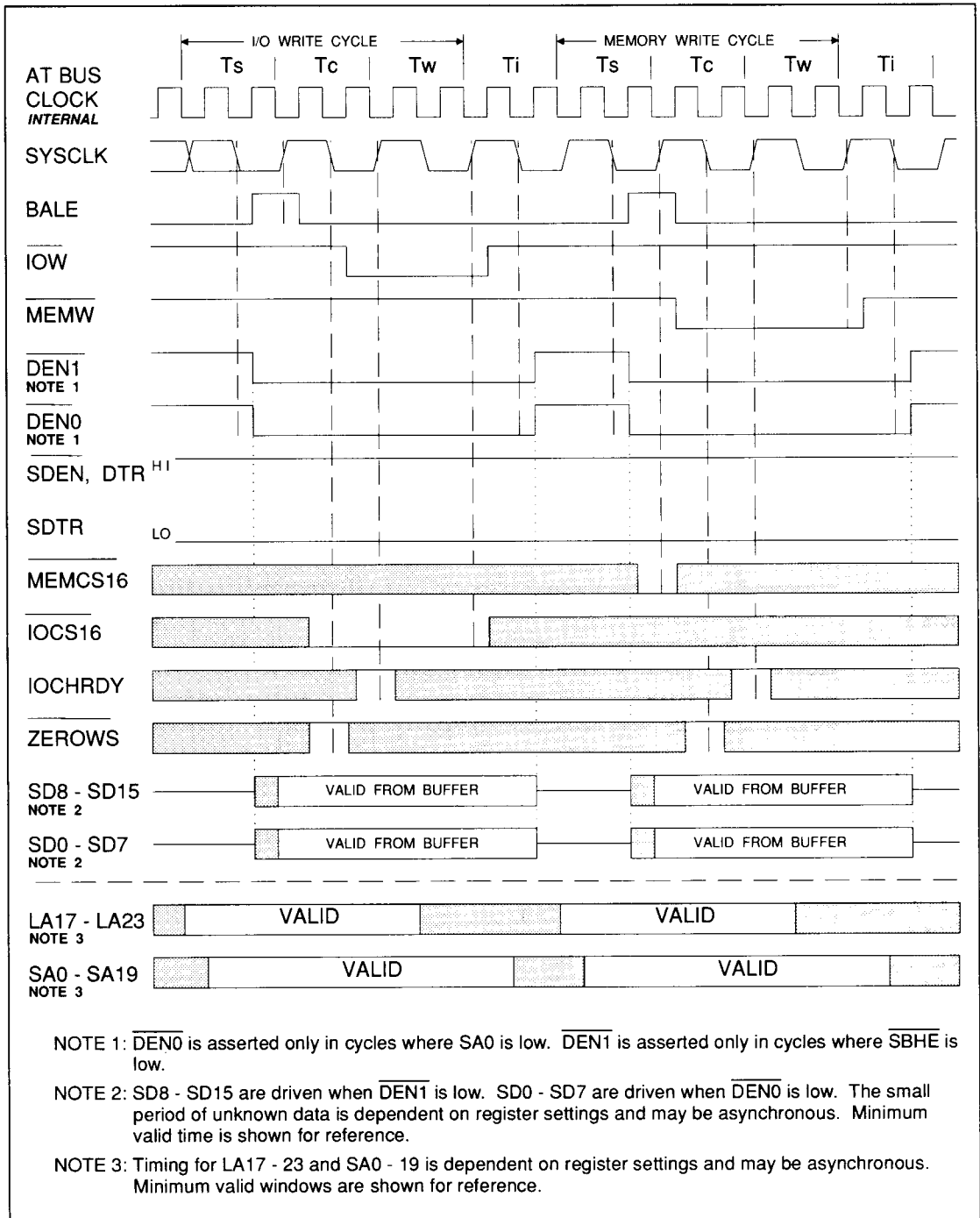


FIGURE 11-31. AT BUS I/O OR MEMORY WRITE: 16-BIT, DEFAULT TIMING



### 11.2.2 Entering The AT Bus

The timing in this section is presented in the following sequence:

#### 80286 CPU

Asynchronous CPUCLK to SYSCLK  
Synchronous CPUCLK to SYSCLK

#### 80386SX CPU

Asynchronous CPUCLK to SYSCLK  
Synchronous CPUCLK to SYSCLK

SYMBOL	CHARACTERISTIC	MIN	MAX	UNITS	TEST CONDITIONS
T40	CPUCLK fall to SYSCLK fall 80286 CPU mode. CPUCLK rise to SYSCLK fall 80386SX CPU mode.	4		ns	Register 1872H: BRQ_DEL = 01 BUS_MOD = 0X Delay is number given plus (T00 × 0.25)
T41	CPUCLK fall to SYSCLK fall 80286 CPU mode. CPUCLK rise to SYSCLK fall 80386SX CPU mode.	9		ns	Register 1872H: BRQ_DEL = 00 BUS_MOD = 0X Delay is number given plus (T00 × 0.5)
T42	CPUCLK fall to SYSCLK fall 80386SX CPU mode.		29	ns	Register 1872H: BRQ_DEL = 10 BUS_MOD = 11
T43	CPUCLK rise to SYSCLK fall 80386SX CPU mode.		35	ns	Register 1872H: BRQ_DEL = 10 BUS_MOD = 10
T44	CPUCLK rise to SYSCLK fall 80286 CPU mode.		29	ns	Register 1872H: BRQ_DEL = 10 BUS_MOD = 11
T45	CPUCLK fall to SYSCLK fall 80286 CPU mode.		36	ns	Register 1872H: BRQ_DEL = 10 BUS_MOD = 10
T140	CPUCLK fall to ALE rise 80286 CPU mode. CPUCLK rise to ALE rise 80386SX CPU mode.		20	ns	
T141	CPUCLK fall to ALE fall 80286 CPU mode. CPUCLK rise to ALE fall 80386SX CPU mode.		20	ns	
T214	See TABLE 11-6				
T215	See TABLE 11-6				
T234	See TABLE 11-3				
T235	See TABLE 11-3				

TABLE 11-9. ENTERING THE AT BUS



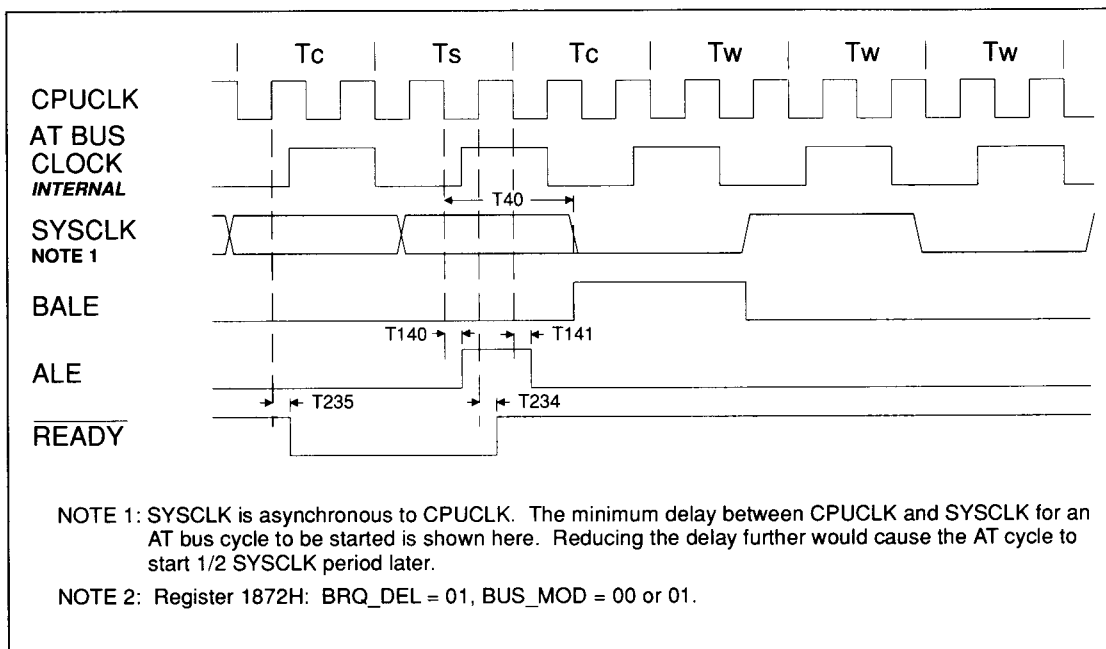


FIGURE 11-32. 80286 CPU - ASYNCHRONOUS CPUCLK TO SYSCLK, BREQ DELAY = 1/2 CLOCK

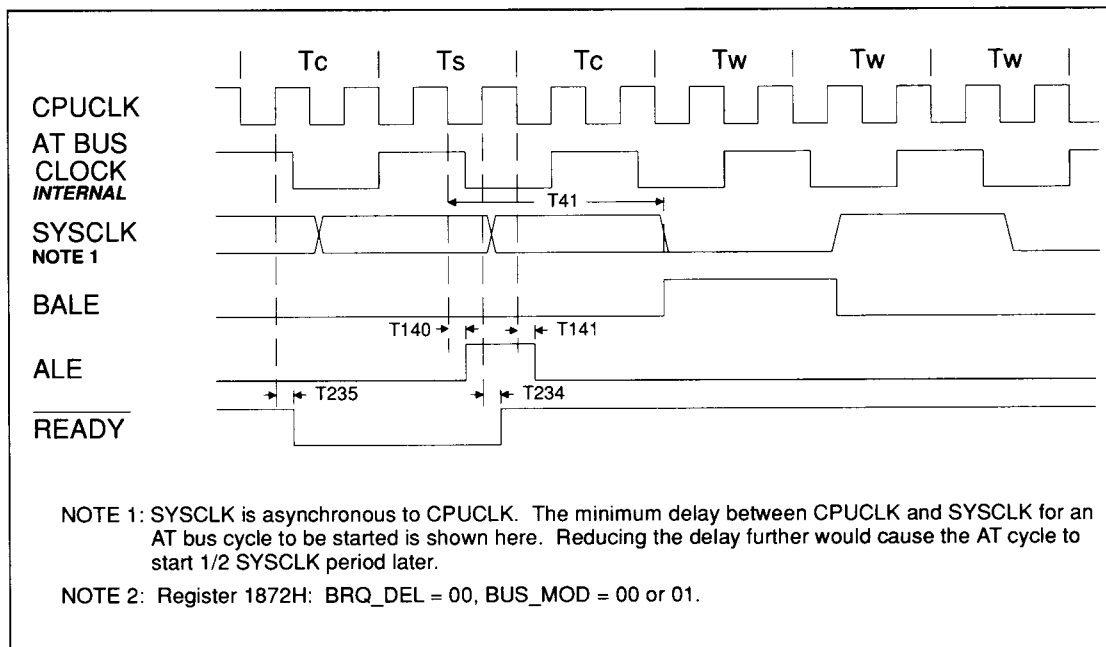
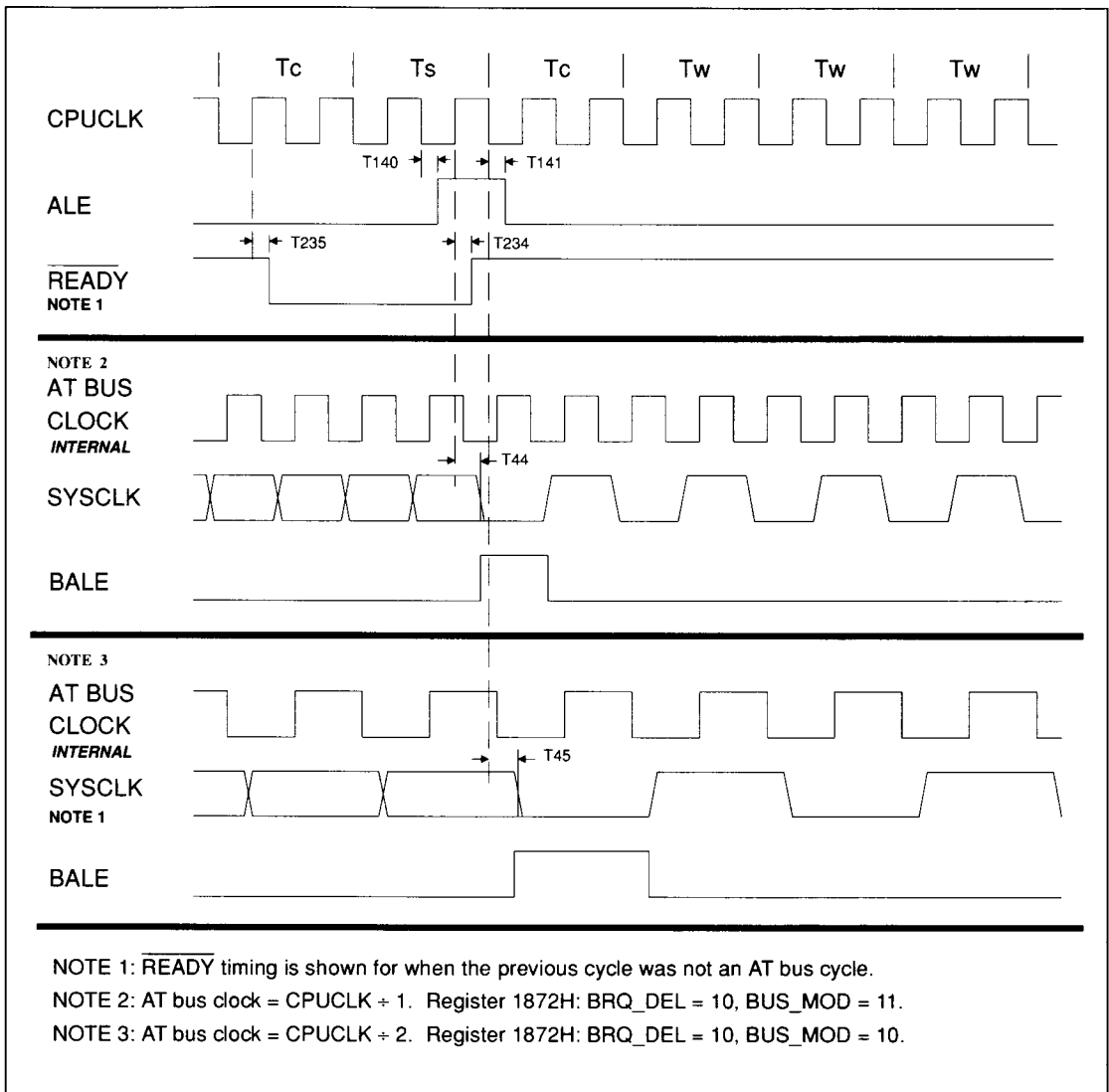


FIGURE 11-33. 80286 CPU - ASYNCHRONOUS CPUCLK TO SYSCLK, BREQ DELAY = 1 CLOCK

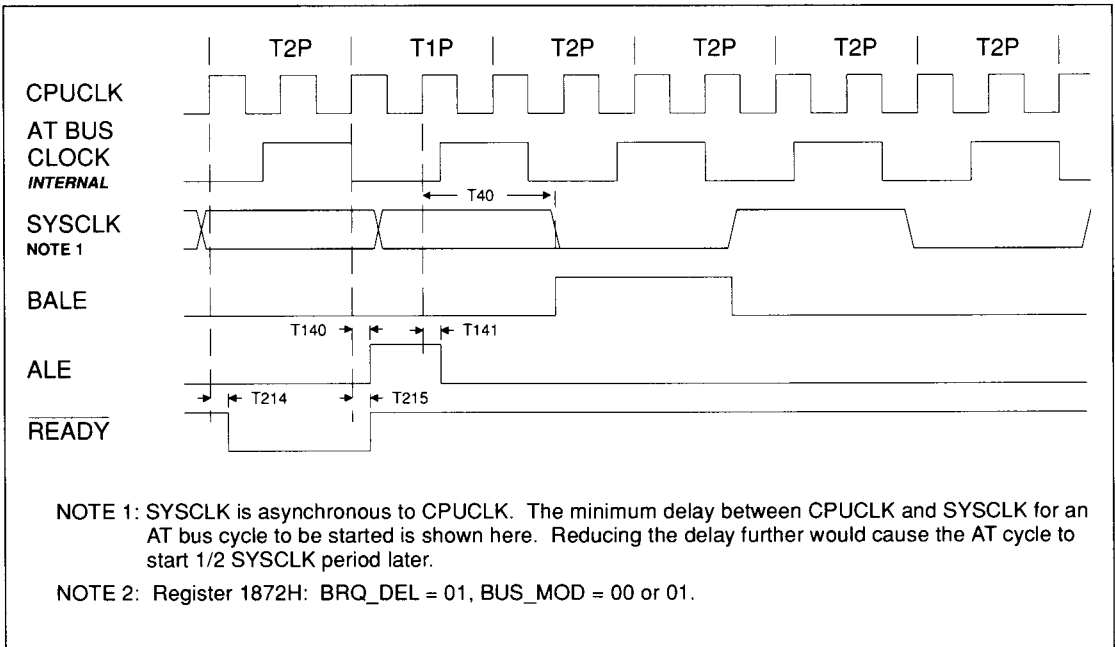




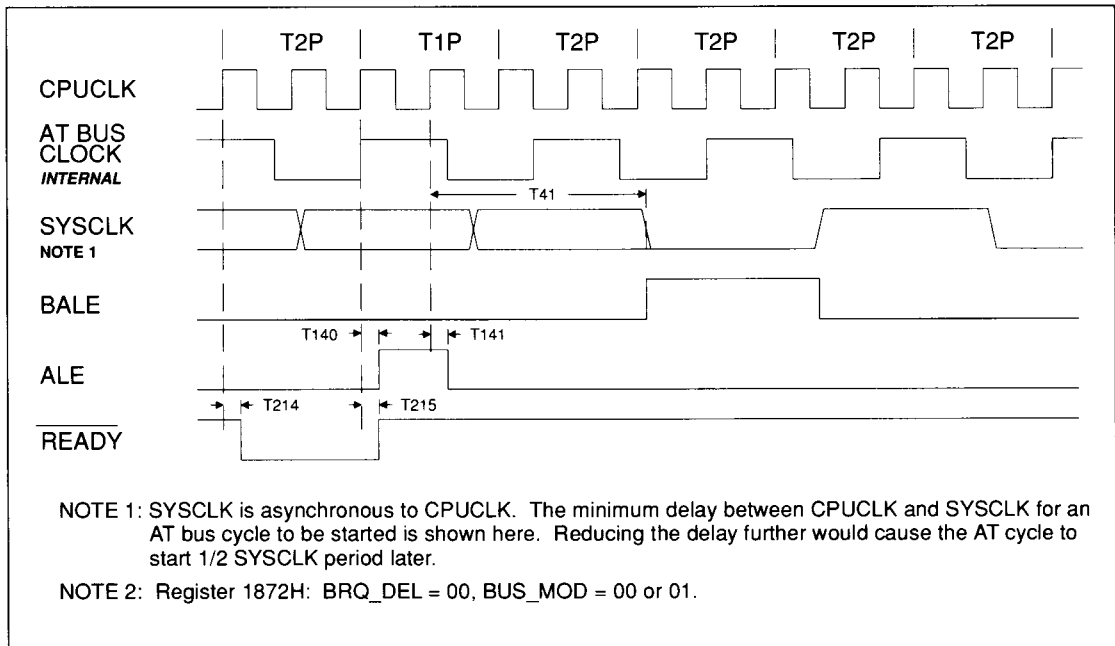
5

FIGURE 11-34. 80286 CPU - SYNCHRONOUS CPUCLK TO SYSCLK





**FIGURE 11-35. 80386SX CPU - ASYNCHRONOUS CPUCLK TO SYSCLK, BREQ DELAY = 1/2 CLOCK**



**FIGURE 11-36. 80386SX CPU - ASYNCHRONOUS CPUCLK TO SYSCLK, BREQ DELAY = 1 CLOCK**



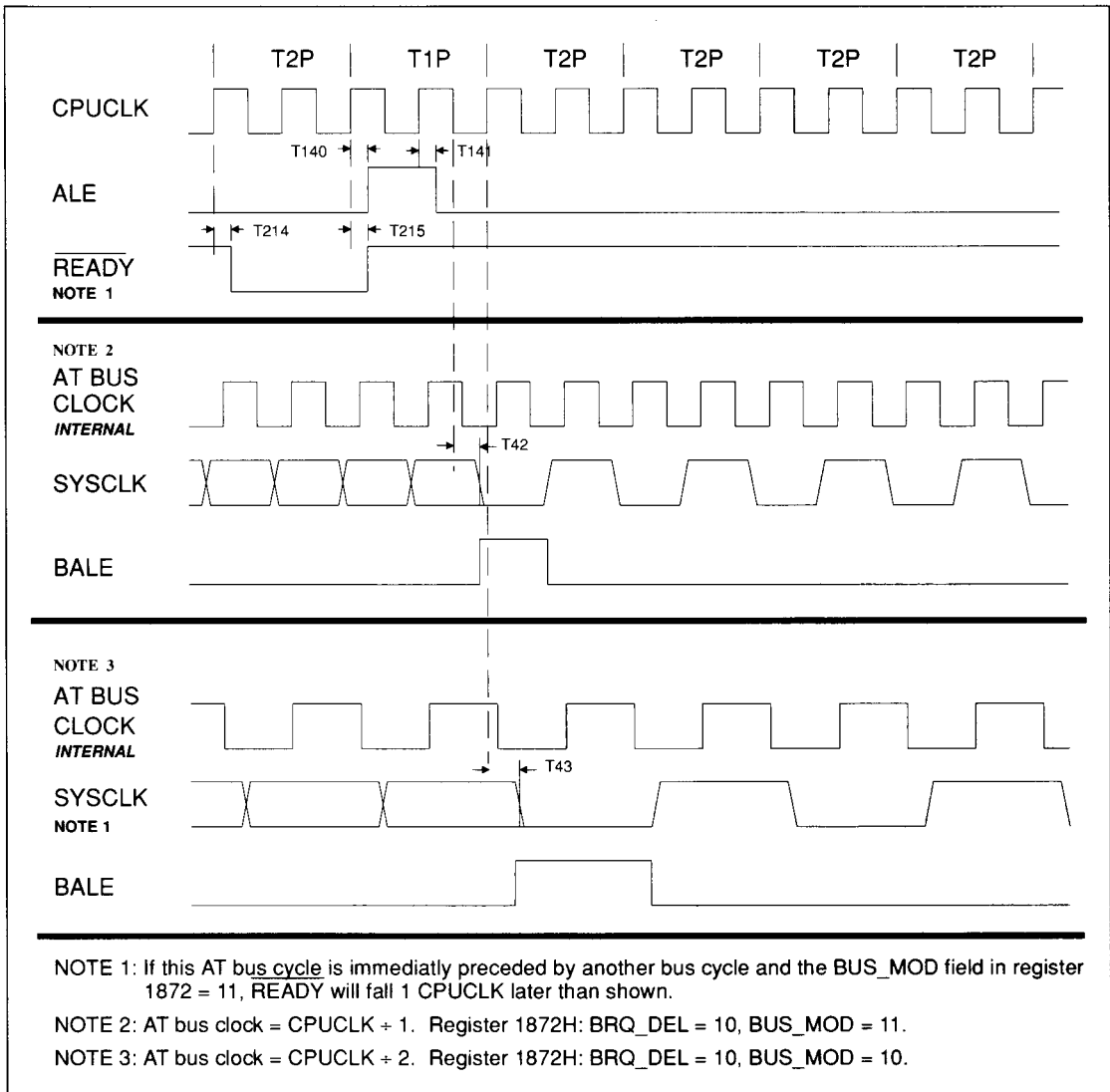


FIGURE 11-37. 80386SX CPU - SYNCHRONOUS CPUCLK TO SYSCLK

### 11.2.3 Exiting The AT Bus

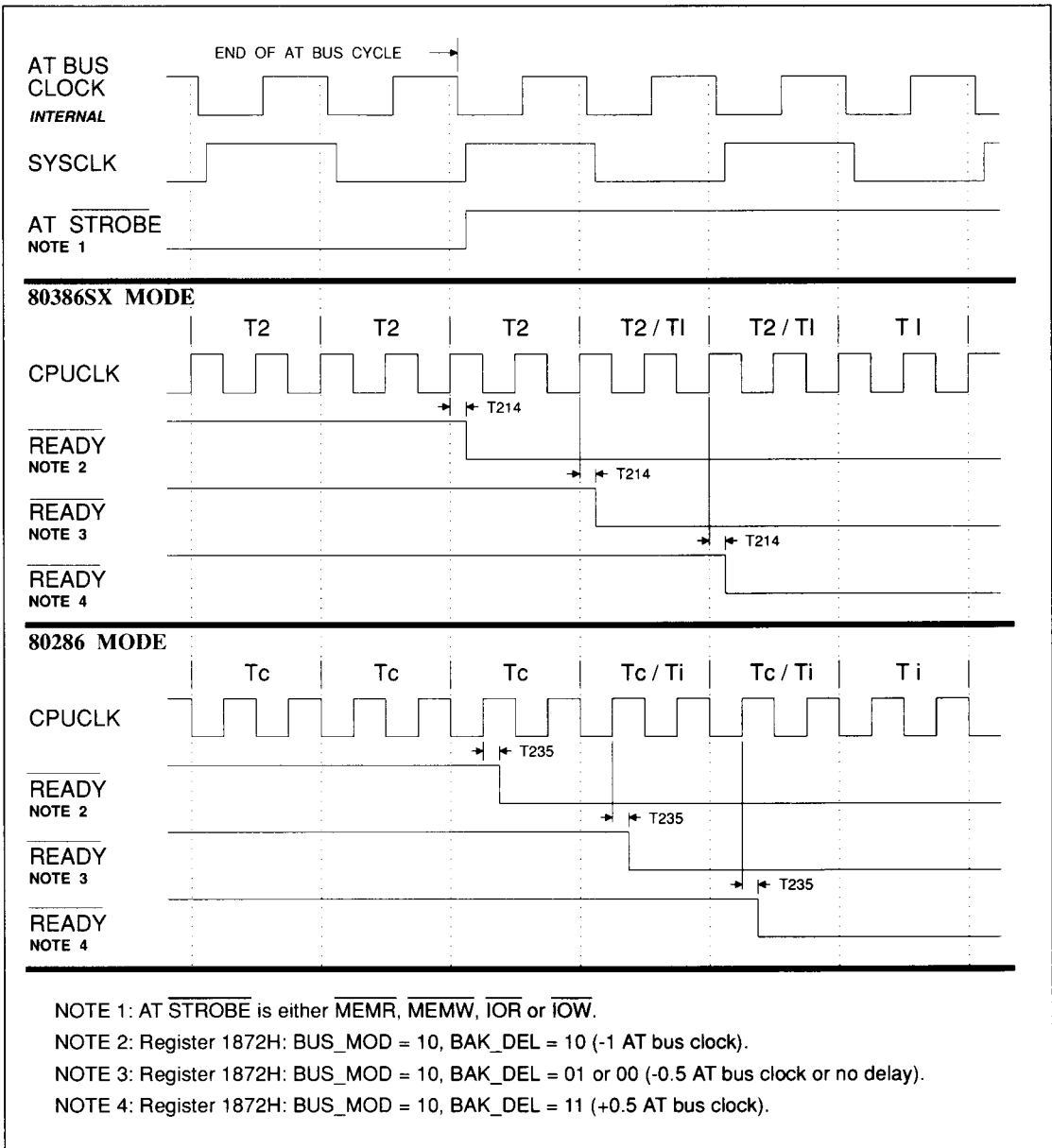
Exiting a synchronous AT bus is covered first, followed by the asynchronous bus.

SYMBOL	CHARACTERISTIC	MIN	MAX	UNITS	TEST CONDITIONS
T46	SYSCLK fall to CPUCLK	-5		ns	Register 1872H: BAK_DEL = 10 BUS_MOD = 0X
T47	SYSCLK fall to CPUCLK	-15		ns	Register 1872H: BAK_DEL = 01 BUS_MOD = 0X Delay is number given plus (T00 × 0.25)
T48	SYSCLK rise to CPUCLK	-10		ns	Register 1872H: BAK_DEL = 00 BUS_MOD = 0X
T49	SYSCLK rise to CPUCLK	-15		ns	Register 1872H: BAK_DEL = 11 BUS_MOD = 0X Delay is number given plus (T00 × 0.25)
T144	CPUCLK fall to $\overline{\text{READY}}$ fall, 80286 CPU mode.		24	ns	Register 1872H: BUS_MOD = 11 AT cycles only
T145	CPUCLK fall to $\overline{\text{READY}}$ rise, 80286 CPU mode.		26	ns	Register 1872H: BUS_MOD = 11 AT cycles only
T214	See TABLE 11-6				
T215	See TABLE 11-6				
T234	See TABLE 11-3				
T235	See TABLE 11-3				

**TABLE 11-10. EXITING THE AT BUS**







**FIGURE 11-38. SYNCHRONOUS AT BUS CYCLE COMPLETION,  
AT BUS CLOCK = CPUCLK ÷ 2**



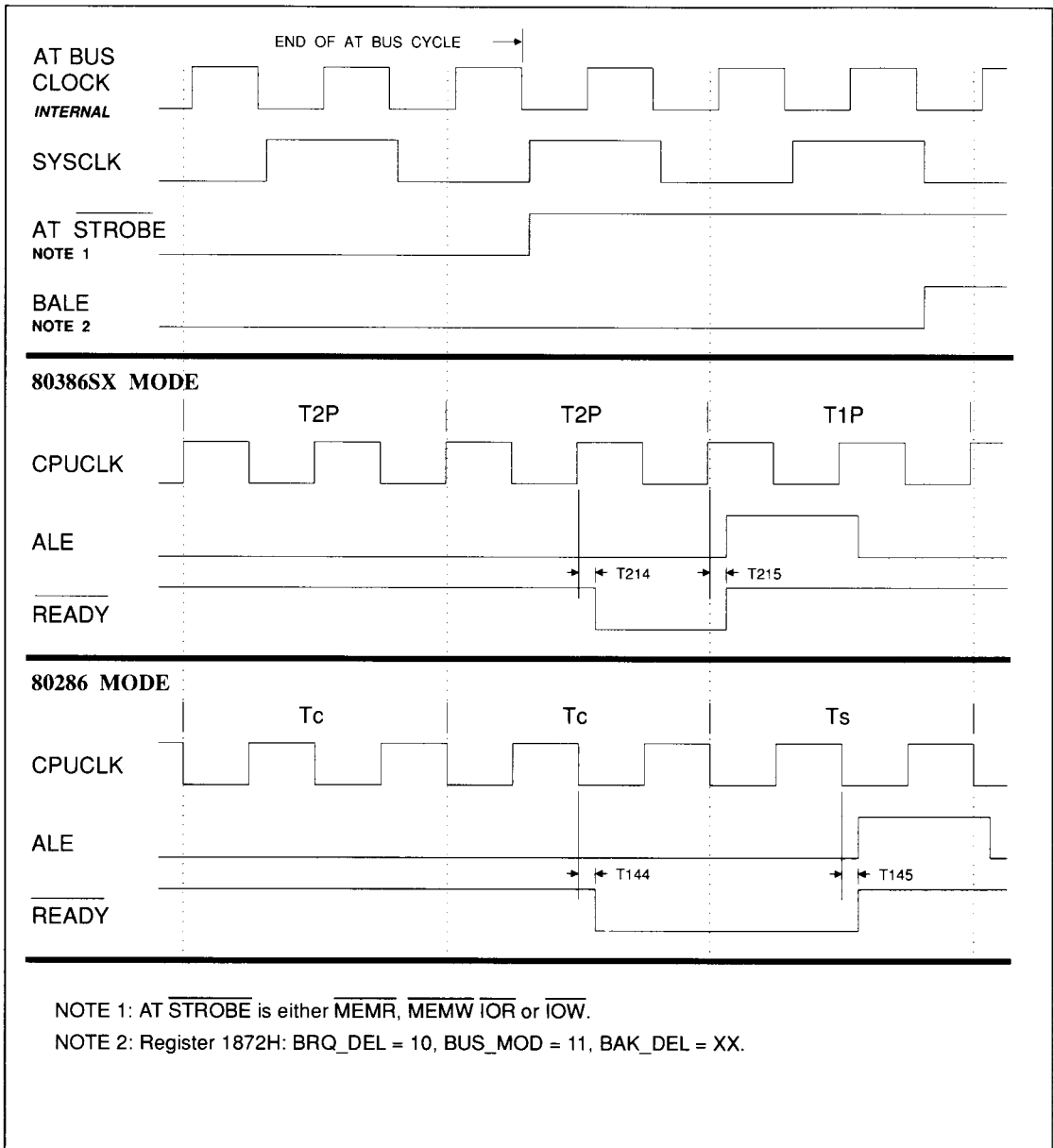


FIGURE 11-39. SYNCHRONOUS AT BUS CYCLE COMPLETION,  
 AT BUS CLOCK = CPUCLK ÷ 1



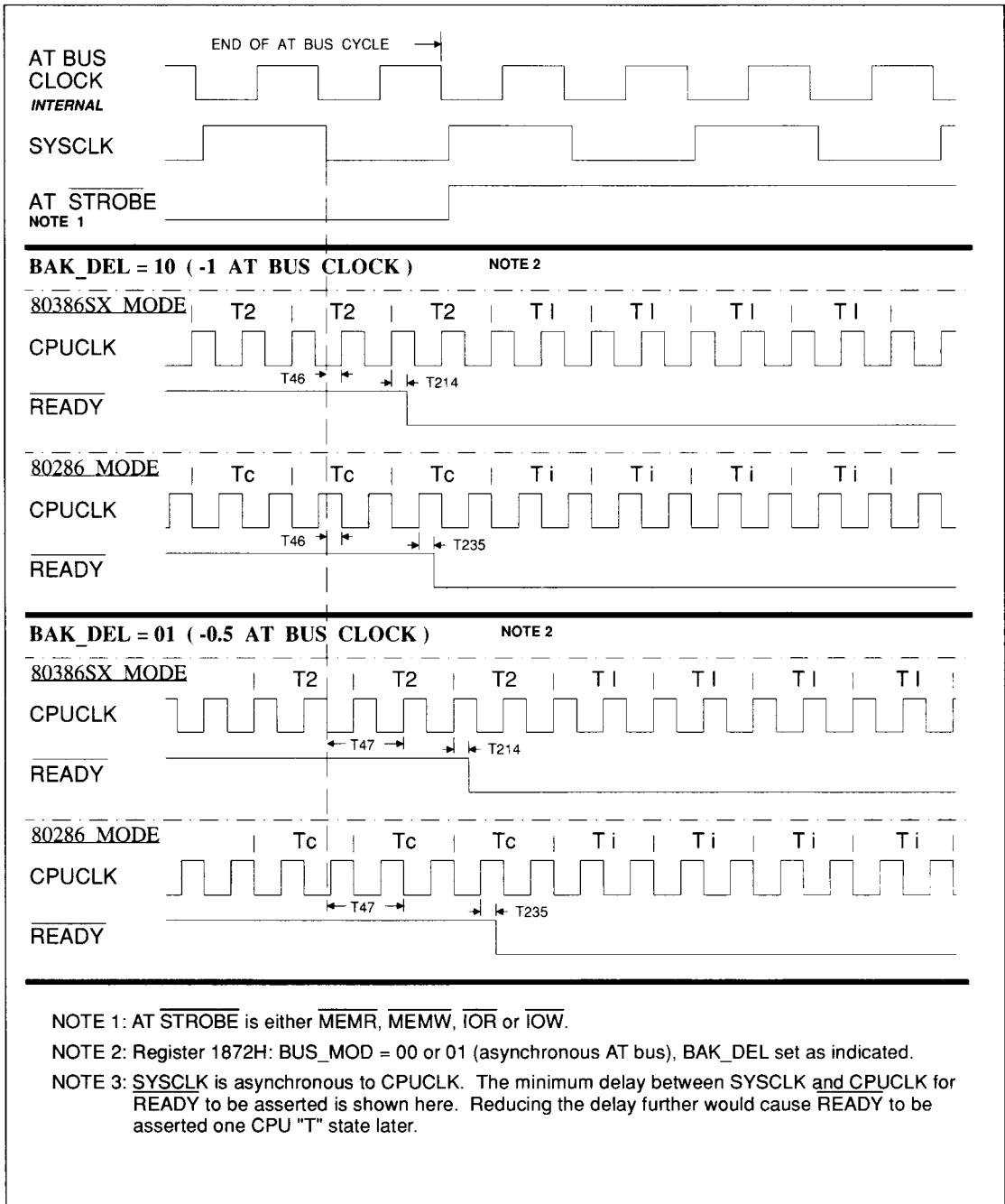


FIGURE 11-40. ASYNCHRONOUS AT BUS CYCLE COMPLETION, BAK\_DEL = -1 OR -0.5 AT BUS CLOCKS



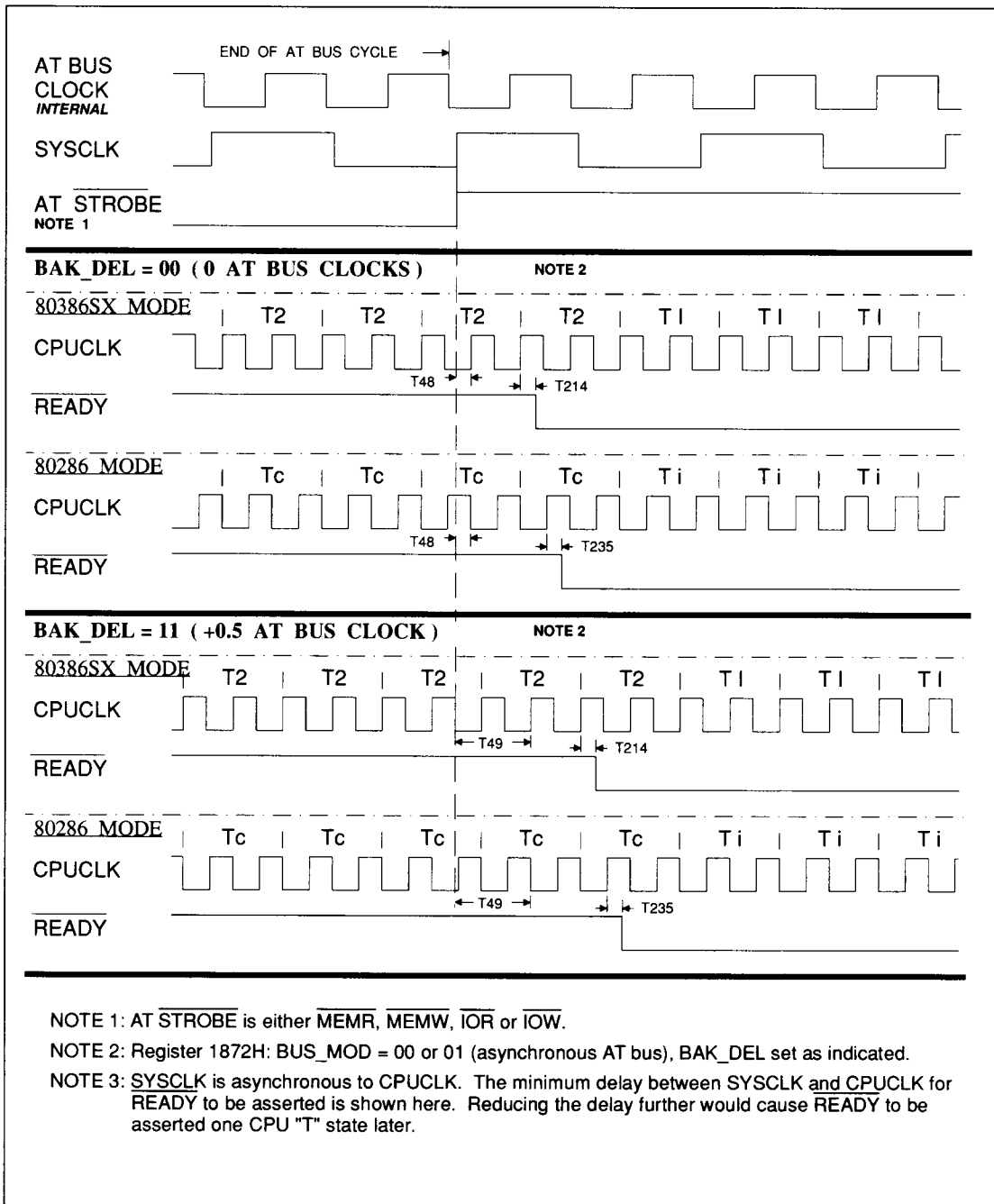


FIGURE 11-41. ASYNCHRONOUS AT BUS CYCLE COMPLETION, BAK\_DEL = 0 OR +0.5 AT BUS CLOCKS



## 11.2.4 DMA Cycles

Basic default timing is covered first, followed by 8-bit I/O to onboard memory, then onboard memory to 8-bit I/O.

SYMBOL	CHARACTERISTIC	MIN	MAX	UNITS	TEST CONDITIONS
T50	SYSCLK rise to ALE valid high		15	ns	
T51	SYSCLK rise to BALE valid high		15	ns	
T52	SYSCLK rise to AEN valid high		15	ns	
T53	SYSCLK rise to Address driven	0		ns	
T54	SYSCLK rise to Address valid		60	ns	
T55	Address hold from SYSCLK rise	0		ns	
T56	SYSCLK rise to LA20 valid		49	ns	
T57	LA20 hold from SYSCLK rise	0		ns	
T58	SYSCLK rise to SA0 valid		40	ns	
T59	SA0 hold from SYSCLK rise	0		ns	
T60	SYSCLK rise to $\overline{\text{BHE}}$ driven	0		ns	
T61	SYSCLK rise to $\overline{\text{BHE}}$ valid		36	ns	
T62	$\overline{\text{BHE}}$ hold from SYSCLK rise	0		ns	
T63	SYSCLK fall to MXCTL valid		2	ns	
T64	SYSCLK rise to DACKEN rise		28	ns	
T65	SYSCLK rise to DACKEN fall		31	ns	
T66	SYSCLK rise to $\overline{\text{CSEN}}$ fall		32	ns	
T67	SYSCLK rise to $\overline{\text{CSEN}}$ rise		33	ns	
T68	IOCHRDY setup to SYSCLK rise	12		ns	
T69	IOCHRDY hold from SYSCLK rise	0		ns	
T70	SYSCLK rise to $\overline{\text{IOR}}$ fall		28	ns	
T71	SYSCLK rise to $\overline{\text{IOR}}$ rise		35	ns	
T72	SYSCLK rise to $\overline{\text{MEMW}}$ fall		47	ns	
T73	SYSCLK rise to $\overline{\text{MEMW}}$ rise		35	ns	
T74	SYSCLK rise to $\overline{\text{DEN1}}$ fall		32	ns	I/O to memory
T75	SYSCLK rise to $\overline{\text{DEN1}}$ rise		42	ns	I/O to memory
T76	SYSCLK rise to $\overline{\text{DEN0}}$ fall		32	ns	I/O to memory
T77	SYSCLK rise to $\overline{\text{DEN0}}$ rise		42	ns	I/O to memory
T78	SYSCLK rise to $\overline{\text{SDEN}}$ fall		21	ns	
T79	SYSCLK rise to $\overline{\text{SDEN}}$ rise		37	ns	I/O to memory

TABLE 11-11. DMA CYCLES

5



SYMBOL	CHARACTERISTIC	MIN	MAX	UNITS	TEST CONDITIONS
T80	SYSCLK rise to SDTR rise		30	ns	
T81	SYSCLK rise to SDTR fall		20	ns	
T82	SYSCLK rise to $\overline{\text{IOW}}$ fall		53	ns	
T83	SYSCLK rise to $\overline{\text{IOW}}$ rise		37	ns	
T84	SYSCLK rise to $\overline{\text{MEMR}}$ fall		17	ns	
T85	SYSCLK rise to $\overline{\text{MEMR}}$ rise		38	ns	
T86	SYSCLK rise to $\overline{\text{DEN1}}$ fall		22	ns	Memory to I/O
T87	SYSCLK rise to $\overline{\text{DEN1}}$ rise		116	ns	Memory to I/O
T88	SYSCLK rise to $\overline{\text{DEN0}}$ fall		22	ns	Memory to I/O
T89	SYSCLK rise to $\overline{\text{DEN0}}$ rise		116	ns	Memory to I/O
T90	SYSCLK rise to $\overline{\text{SDEN}}$ rise		116	ns	Memory to I/O
T91	SYSCLK rise to DTR rise		31	ns	
T92	SYSCLK rise to DTR fall		22	ns	
T100	$\overline{\text{MEMW}}$ fall to $\overline{\text{RASn}}$ fall		27	ns	
T101	$\overline{\text{MEMW}}$ rise to $\overline{\text{RASn}}$ rise		29	ns	
T102	$\overline{\text{MEMW}}$ fall to $\overline{\text{CASn}}$ fall		108	ns	
T103	$\overline{\text{MEMW}}$ rise to $\overline{\text{CASn}}$ rise		30	ns	
T105	$\overline{\text{MEMW}}$ fall to RA10 - RA0 valid		100	ns	
T107	$\overline{\text{MEMW}}$ fall to $\overline{\text{W/R}}$ high		29	ns	
T108	$\overline{\text{MEMW}}$ rise to $\overline{\text{W/R}}$ low	10		ns	
T120	$\overline{\text{MEMR}}$ fall to $\overline{\text{RASn}}$ fall		28	ns	
T121	$\overline{\text{MEMR}}$ rise to $\overline{\text{RAS}}$ rise		29	ns	
T122	$\overline{\text{MEMR}}$ fall to $\overline{\text{CASn}}$ fall		110	ns	
T123	$\overline{\text{MEMR}}$ rise to $\overline{\text{CAS}}$ rise		31	ns	
T125	$\overline{\text{MEMR}}$ fall to RA10 - RA0 valid		100	ns	
T126	$\overline{\text{MEMR}}$ fall to DPH, DPL float		25		
T127	$\overline{\text{MEMR}}$ rise to DPH, DPL driven	35			
T303	D15 - D0 valid to DPH, DPL valid		27	ns	
T305	D15 - D0 setup to $\overline{\text{MEMR}}$ rise	18		ns	
T306	DPH, DPL setup to $\overline{\text{MEMR}}$ rise	10		ns	

TABLE 11-11. DMA CYCLES (Continued)



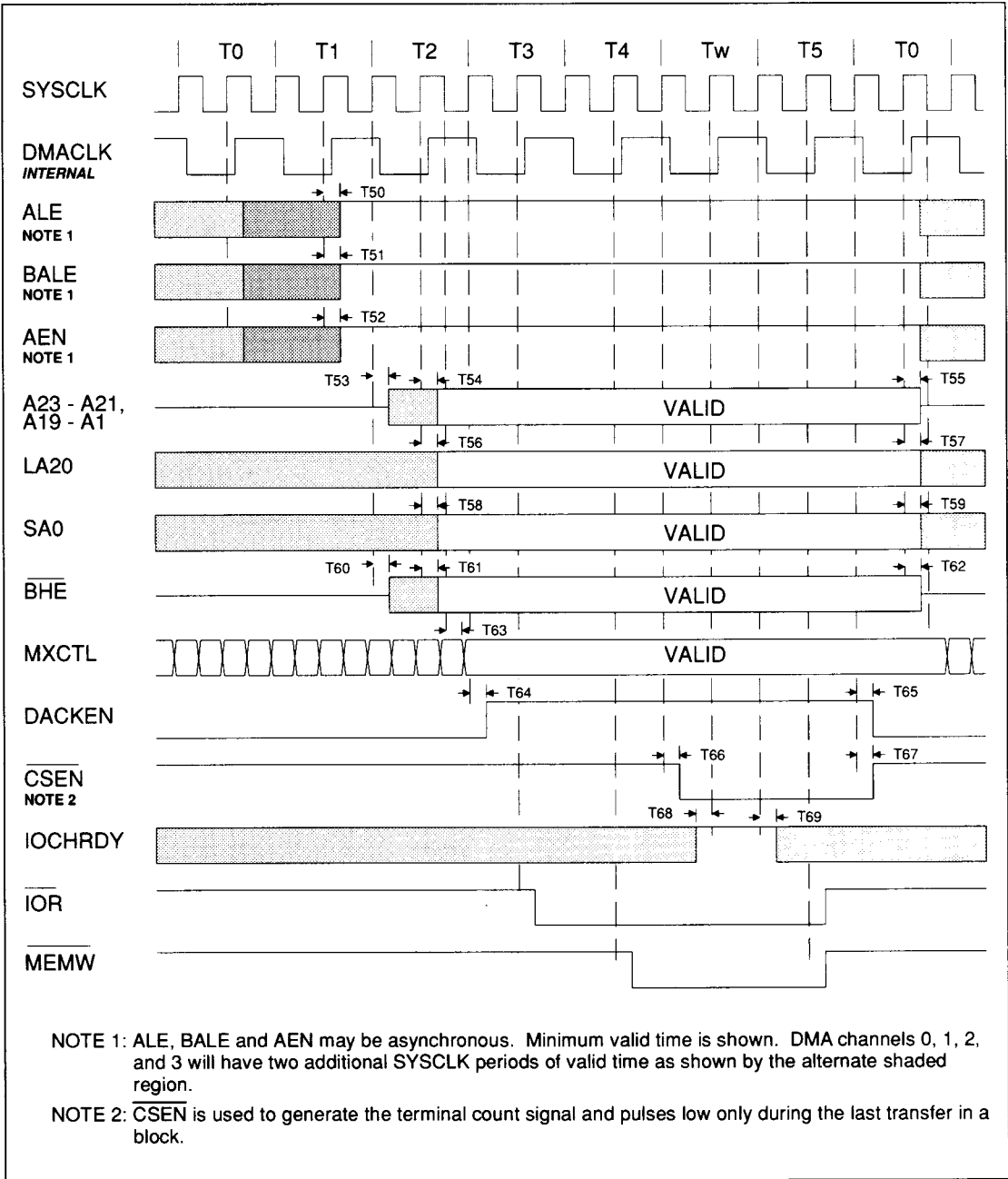


FIGURE 11-42. BASIC DMA CYCLE, DEFAULT TIMING

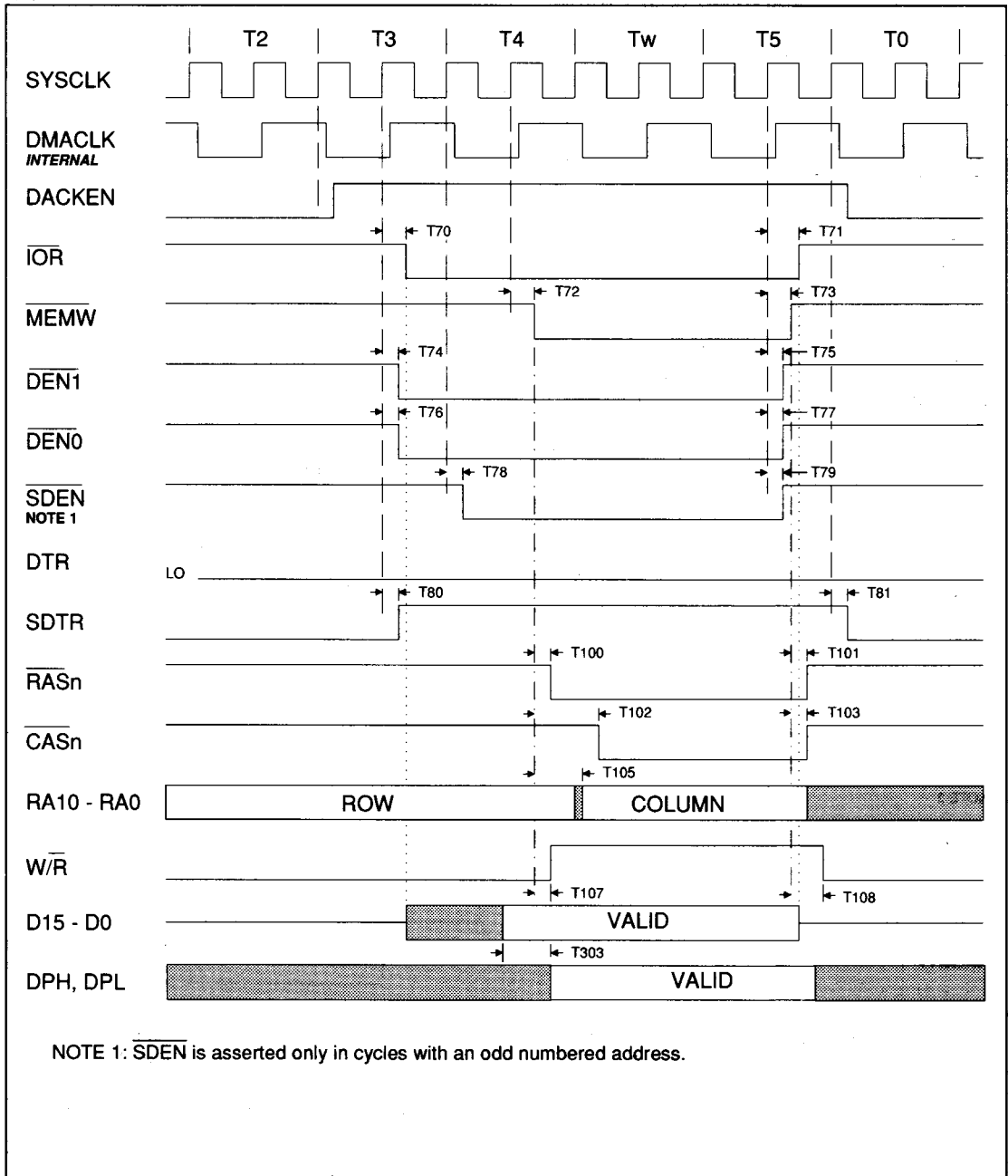


FIGURE 11-43. DMA CYCLE, 8-BIT I/O TO ON-BOARD MEMORY





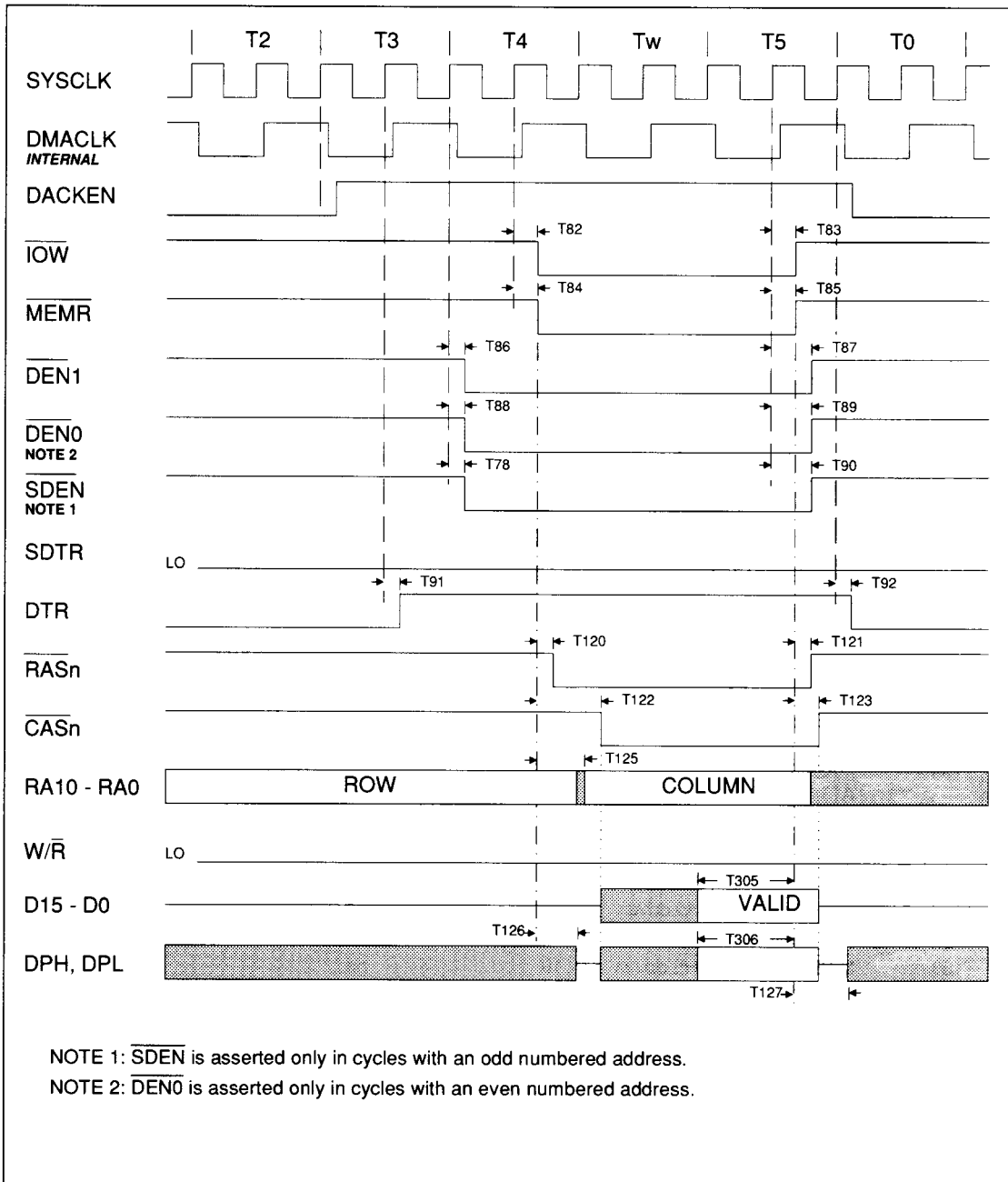


FIGURE 11-44. DMA CYCLE, ON-BOARD MEMORY TO 8-BIT I/O



## 11.2.5 AT Bus Master

The AT bus master timing is covered in the following sequence:

- Bus acquisition and release
- Writing to the onboard memory
- Reading from the onboard memory

SYMBOL	CHARACTERISTIC	MIN	MAX	UNITS	TEST CONDITIONS
T50	SYSCLK rise to ALE valid high		15	ns	
T51	SYSCLK rise to BALE valid high		15	ns	
T52	SYSCLK rise to AEN valid high		15	ns	
T53	SYSCLK rise to Address driven	0		ns	
T55	Address hold from SYSCLK rise	0		ns	
T60	SYSCLK rise to $\overline{\text{BHE}}$ driven	0		ns	
T61	SYSCLK rise to $\overline{\text{BHE}}$ valid		36	ns	
T62	$\overline{\text{BHE}}$ hold from SYSCLK rise	0		ns	
T63	SYSCLK fall to MXCTL valid		2	ns	
T64	SYSCLK rise to DACKEN rise		28	ns	
T65	SYSCLK rise to DACKEN fall		31	ns	
T150	$\overline{\text{MASTER}}$ fall to AEN fall		30	ns	
T151	$\overline{\text{MASTER}}$ rise to AEN rise		30	ns	
T152	$\overline{\text{MASTER}}$ fall to A23 - A21, A19 - A1 float		30	ns	
T153	$\overline{\text{MASTER}}$ rise to A23 - A21, A19 - A1 driven	15		ns	
T154	$\overline{\text{MASTER}}$ fall to LA20 float		23	ns	
T155	$\overline{\text{MASTER}}$ rise to LA20 driven	10		ns	
T156	$\overline{\text{MASTER}}$ fall to SA0 float		24	ns	
T157	$\overline{\text{MASTER}}$ rise to SA0 driven	10		ns	
T158	$\overline{\text{MASTER}}$ fall to $\overline{\text{BHE}}$ float		30	ns	
T159	$\overline{\text{MASTER}}$ rise to $\overline{\text{BHE}}$ driven	10		ns	
T160	$\overline{\text{MASTER}}$ fall to $\overline{\text{CSEN}}$ float		32	ns	
T161	$\overline{\text{MASTER}}$ rise to $\overline{\text{CSEN}}$ rise		35	ns	
T162	$\overline{\text{MASTER}}$ fall to $\overline{\text{MEMR}}$ float		24	ns	
T163	$\overline{\text{MASTER}}$ rise to $\overline{\text{MEMR}}$ driven	10		ns	
T164	$\overline{\text{MASTER}}$ fall to $\overline{\text{MEMW}}$ , $\overline{\text{IOR}}$ , $\overline{\text{IOW}}$ , float		23	ns	
T165	$\overline{\text{MASTER}}$ rise to $\overline{\text{MEMW}}$ , $\overline{\text{IOR}}$ , $\overline{\text{IOW}}$ driven	10		ns	

TABLE 11-12. AT BUS MASTER CYCLE



SYMBOL	CHARACTERISTIC	MIN	MAX	UNITS	TEST CONDITIONS
T166	A23 - A21, A19 - A1 setup to MEMR, MEMW	45		ns	
T167	LA20 setup to MEMR, MEMW	50		ns	
T168	BHE setup to MEMR, MEMW	0		ns	
T169	SA0 setup to MEMR, MEMW	0		ns	
T170	A23 - A21, A19 - A1 hold from MEMR, MEMW	15		ns	
T171	LA20 hold from MEMR, MEMW	15		ns	
T172	BHE hold from MEMR, MEMW	15		ns	
T173	SA0 hold from MEMR, MEMW	15		ns	
T174	SA0 in to A0 out delay		45	ns	
T175	MEMW fall to DEN1 fall		30	ns	
T176	MEMW fall to DEN0 fall		30	ns	
T177	MEMW rise to DEN1 rise		83	ns	
T178	MEMW rise to DEN0 rise		83	ns	
T179	MEMR fall to DEN1 fall		85	ns	
T180	MEMR fall to DEN0 fall		85	ns	
T181	MEMR rise to DEN1 rise		32	ns	
T182	MEMR rise to DEN0 rise		32	ns	
T183	MEMR fall to DTR rise		29	ns	
T184	MEMR rise to DTR fall		82	ns	
T190	MEMR, MEMW fall to RASn fall		83	ns	
T191	MEMR, MEMW rise to RASn rise		33	ns	
T192	MEMR, MEMW fall to CASn fall		126	ns	
T193	MEMR, MEMW rise to CASn rise		33	ns	
T194	MEMR, MEMW fall to RA10 - RA0 column address valid		120	ns	
T196	MEMR, MEMW fall to RA10 - RA0 row address valid		42	ns	
T197	RA10 - RA0 column address hold from MEMR, MEMW rise	5		ns	

TABLE 11-12. AT BUS MASTER CYCLE (Continued)

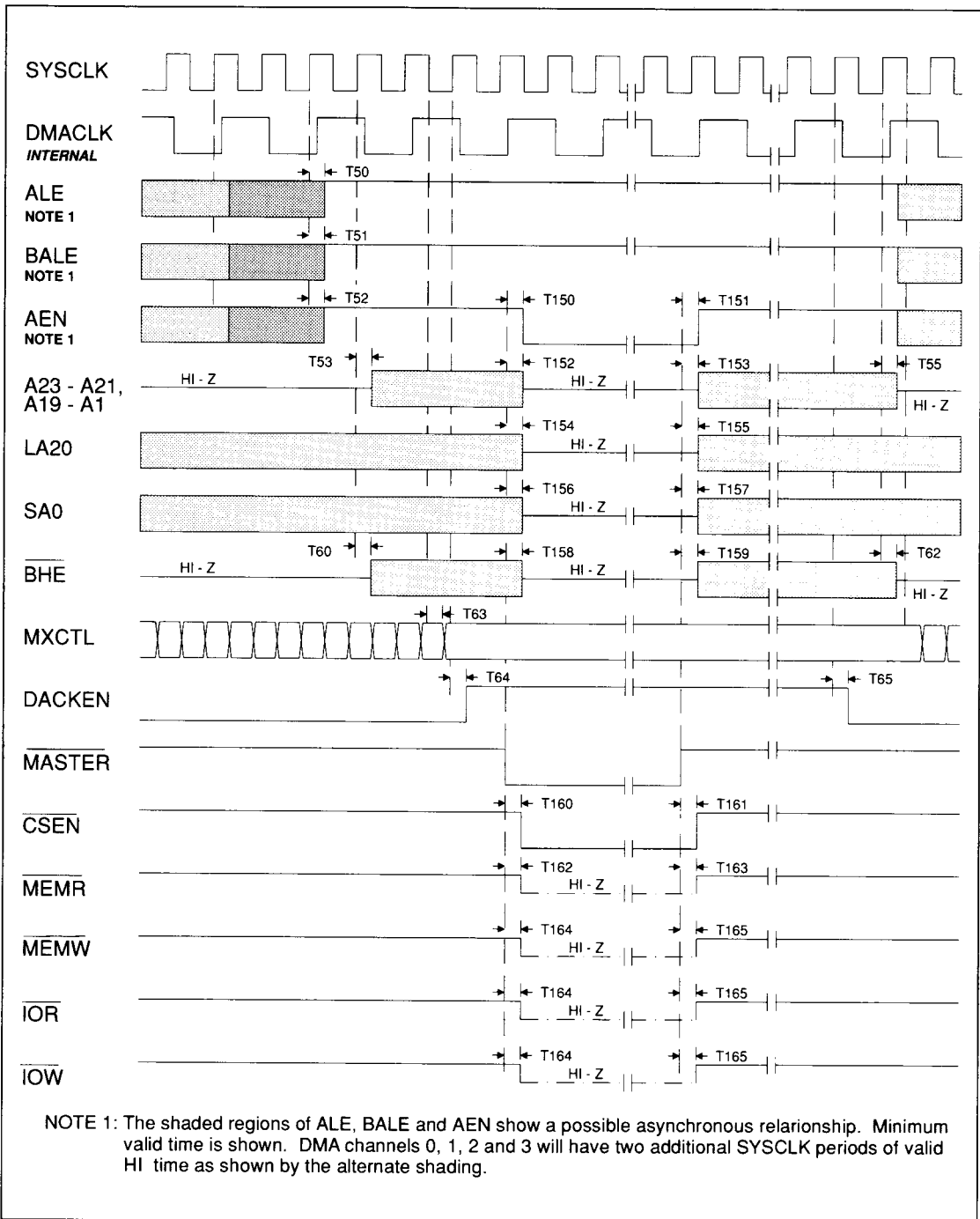
5



SYMBOL	CHARACTERISTIC	MIN	MAX	UNITS	TEST CONDITIONS
T300	$\overline{\text{MEMW}}$ fall to $\overline{\text{W/R}}$ rise		33	ns	
T301	$\overline{\text{MEMW}}$ rise to $\overline{\text{W/R}}$ fall	10		ns	
T302	$\overline{\text{MEMW}}$ fall to DPH, DPL valid		32	ns	
T303	D15 - D0 valid to DPH, DPL valid		27	ns	
T304	DPH, DPL hold from $\overline{\text{MEMW}}$ rise	5		ns	
T305	D15 - D0 setup to $\overline{\text{MEMR}}$ rise	18		ns	
T306	DPH, DPL setup to $\overline{\text{MEMR}}$ rise	10		ns	
T307	$\overline{\text{MEMR}}$ fall to DPH, DPL float		35	ns	
T308	$\overline{\text{MEMR}}$ rise to DPH, DPL driven	58		ns	

TABLE 11-12. AT BUS MASTER CYCLE cont.





5

FIGURE 11-45. AT BUS MASTER, BUS ACQUISITION/RELEASE



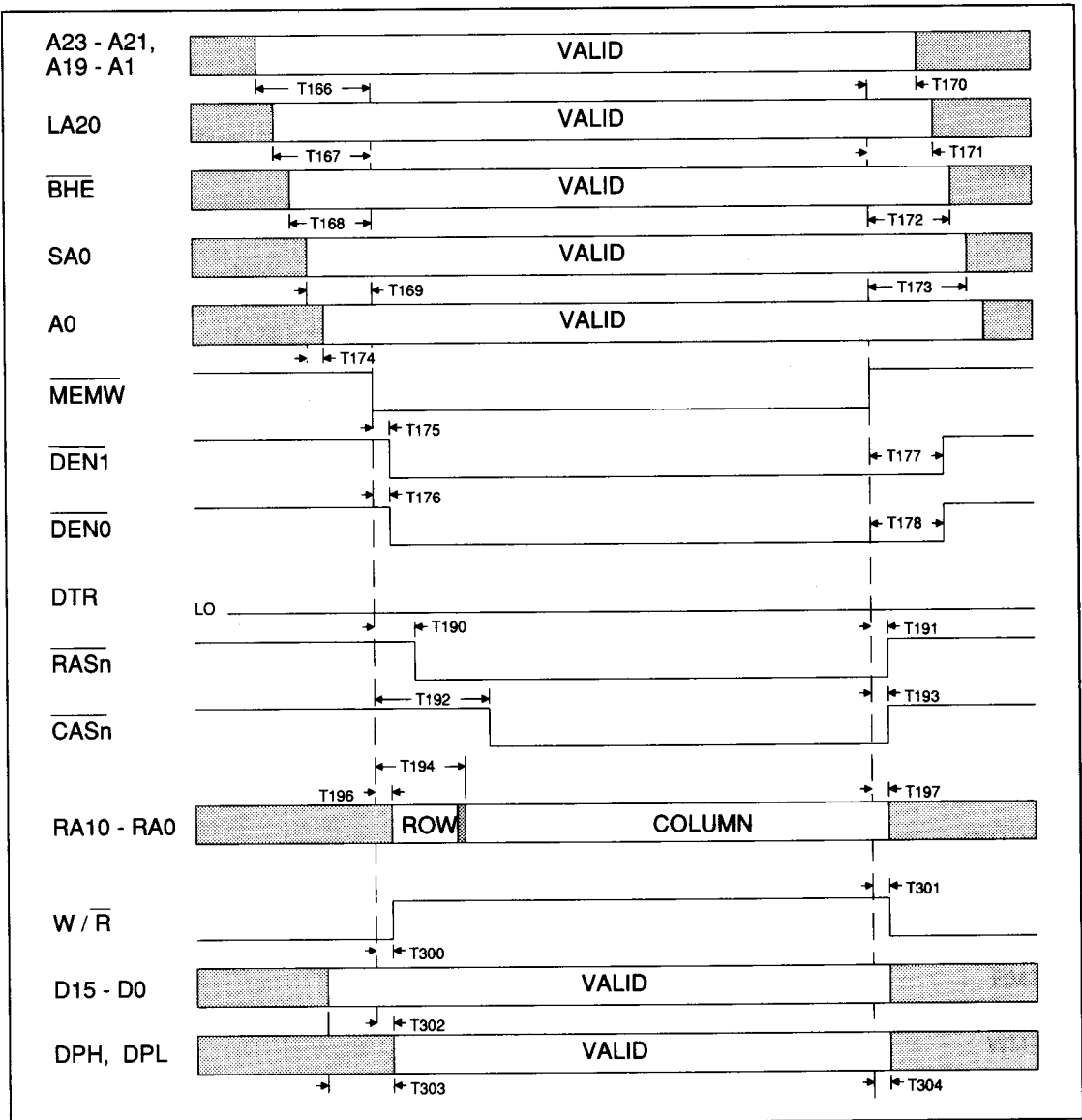


FIGURE 11-46. AT BUS MASTER, WRITE TO ON-BOARD MEMORY



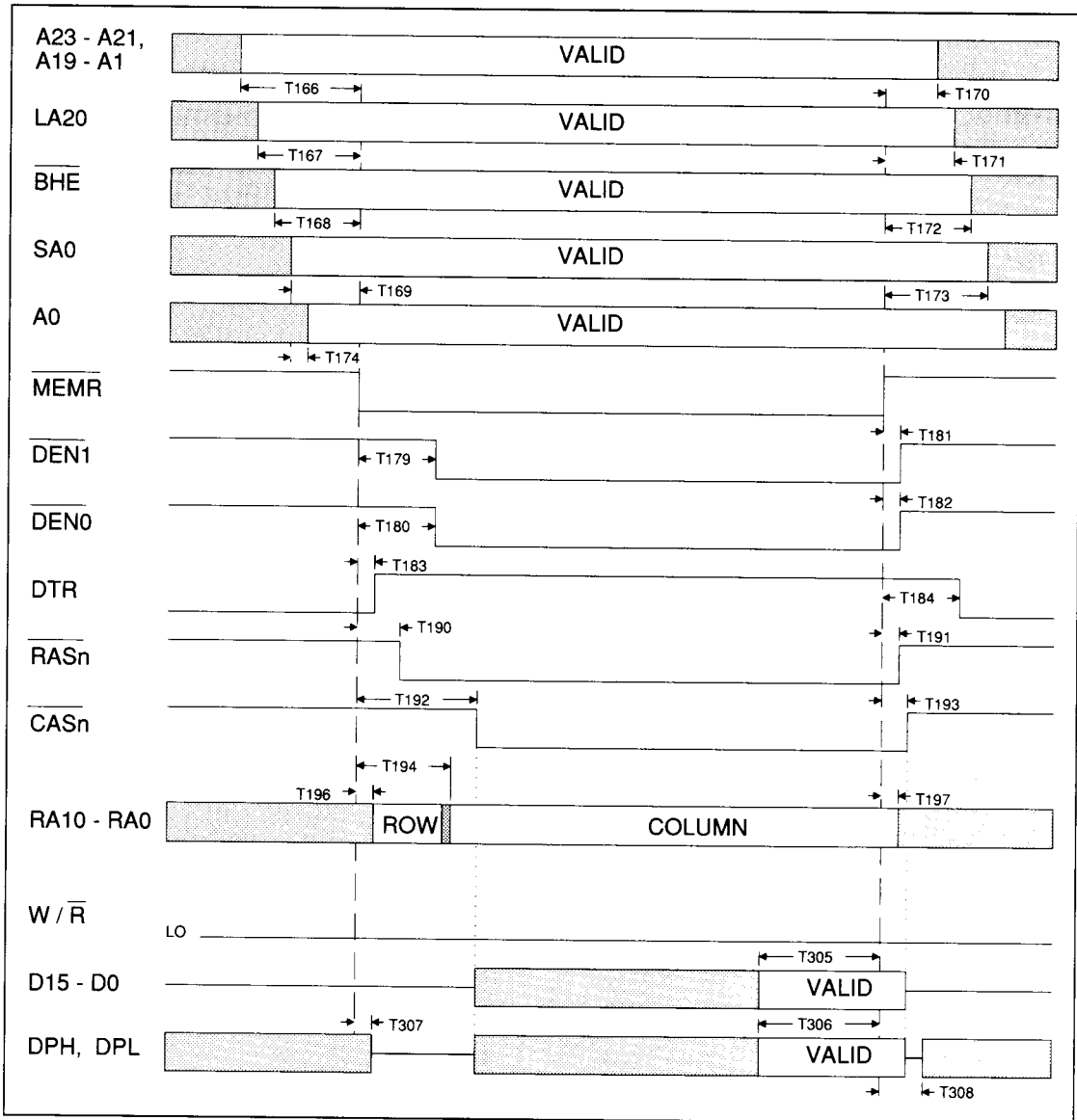


FIGURE 11-47. AT BUS MASTER, READ FROM ON-BOARD MEMORY

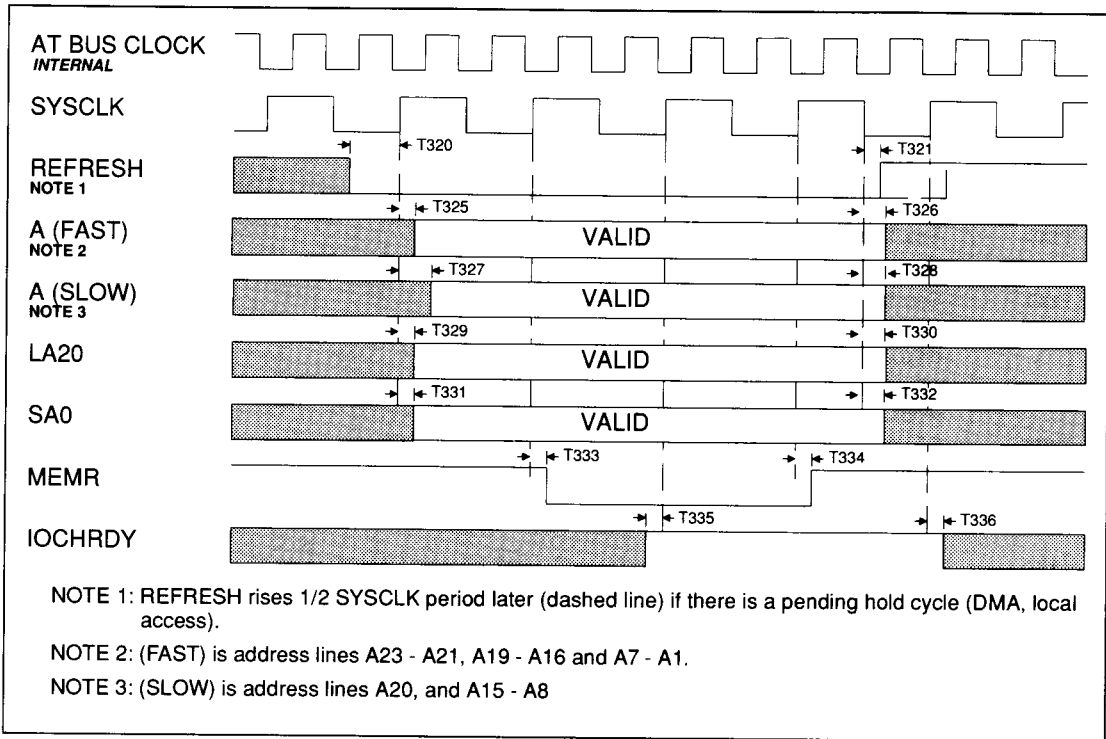
## 11.2.6 AT Bus Refresh

SYMBOL	CHARACTERISTIC	MIN	MAX	UNITS	TEST CONDITIONS
T320	$\overline{\text{REFRESH}}$ low before SYSCLK rise	4		ns	$\overline{\text{REFRESH}}$ setup is number given plus ( $T_{00} \times 0.25$ )
T321	SYSCLK fall to $\overline{\text{REFRESH}}$ rise		16	ns	
T325	SYSCLK rise to A23 - A21, A19 - A16 and A7 - A1 valid		35	ns	
T326	SYSCLK fall to A23 - A21, A19 - A16 and A7 - A1 invalid	2		ns	
T327	SYSCLK rise to A20, A15 - A8 valid		45	ns	
T328	SYSCLK fall to A20, A15 - A8 invalid	2		ns	
T329	SYSCLK rise to LA20 valid		30	ns	
T330	SYSCLK fall to LA20 invalid	2		ns	
T331	SYSCLK rise to SA0 valid		30	ns	
T332	SYSCLK fall to SA0 invalid	2		ns	
T333	SYSCLK rise to MEMR low		8	ns	
T334	SYSCLK rise to MEMR high		7	ns	
T335	IOCHRDY setup to SYSCLK rise	23		ns	
T336	IOCHRDY hold time from SYSCLK rise	0		ns	

TABLE 11-13. AT BUS REFRESH CYCLE, DEFAULT TIMING







5

FIGURE 11-48. AT BUS REFRESH CYCLE, DEFAULT TIMING



### 11.3 PROCESSOR TIMING

This section covers the 80286 CPU timing, followed by the 80386SX.

SYMBOL	CHARACTERISTIC	MIN	MAX	UNITS	TEST CONDITIONS
T140	See Table 11-9				
T141	See Table 11-9				
T143	See Table 11-9				
T401	CPUCLK fall to CPURES rise delay		14	ns	
T402	CPUCLK fall to CPURES fall delay		13	ns	
T403	CPUCLK fall to NPRST rise delay		14	ns	
T404	CPUCLK fall to NPRST fall delay		13	ns	
T405	CPUCLK fall to $\overline{\text{BUSYCPU}}$ fall delay		35	ns	①
T406	$\overline{\text{NPBUSY}}$ rise to $\overline{\text{BUSYCPU}}$ rise delay		35	ns	①
T408	$\overline{\text{SO}}$ , $\overline{\text{S1}}$ setup time to CPUCLK	9		ns	
T409	$\overline{\text{SO}}$ , $\overline{\text{S1}}$ hold time to CPUCLK	1		ns	
T410	M/I $\overline{\text{O}}$ setup time to CPUCLK	26		ns	
T411	M/I $\overline{\text{O}}$ hold time to CPUCLK	1		ns	
T412	Address setup time to CPUCLK	26		ns	
T413	Address hold time to CPUCLK	1		ns	
T414	$\overline{\text{PEACK}}$ setup time to CPUCLK	7		ns	
T415	$\overline{\text{PEACK}}$ hold time to CPUCLK	1		ns	
T416	DPH, DPL setup time to CPUCLK fall	5		ns	
T417	DPH, DPL hold time from CPUCLK fall	19		ns	
T418	D15 - D0 setup time to CPUCLK fall	5		ns	
T419	D15 - D0 hold time from CPUCLK fall	19		ns	

① T405 and T406 are for reference only since  $\overline{\text{BUSYCPU}}$  is an asynchronous signal to the 80286. These two parameters are guaranteed by design and will not be tested.

TABLE 11-14. 80286 CPU TIMING



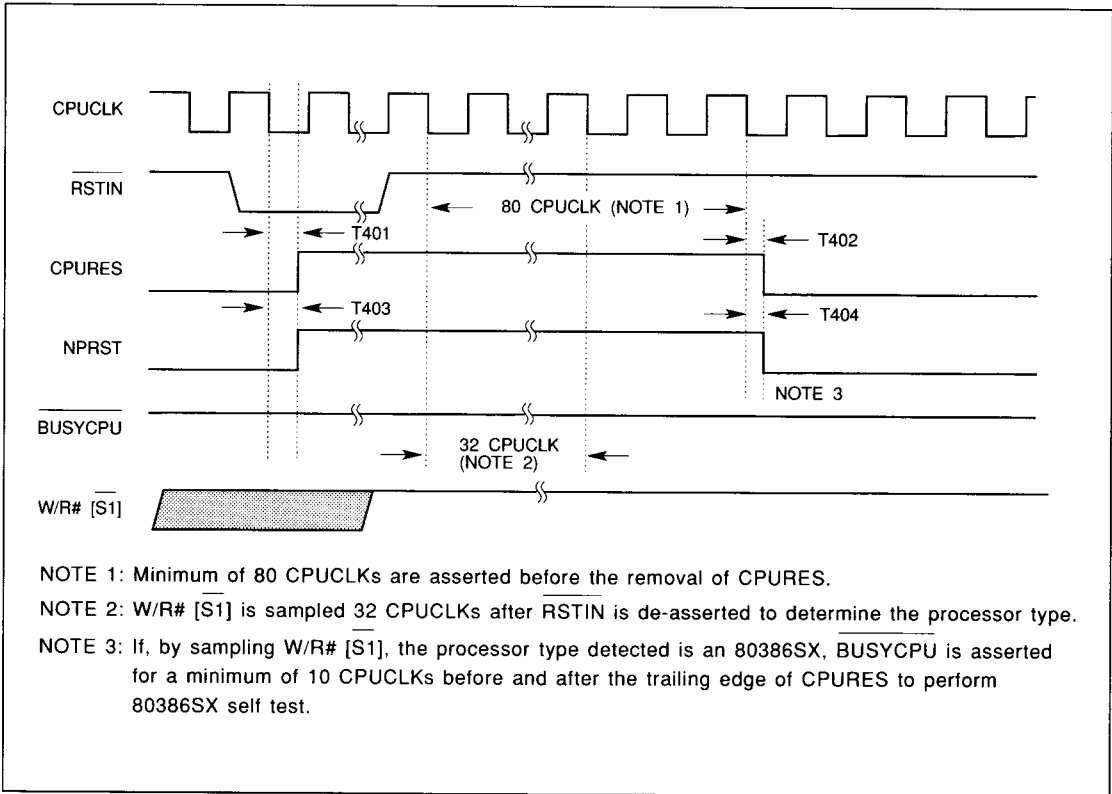


FIGURE 11-49. 80286 - CPURES AND NPRST DURING POWER UP

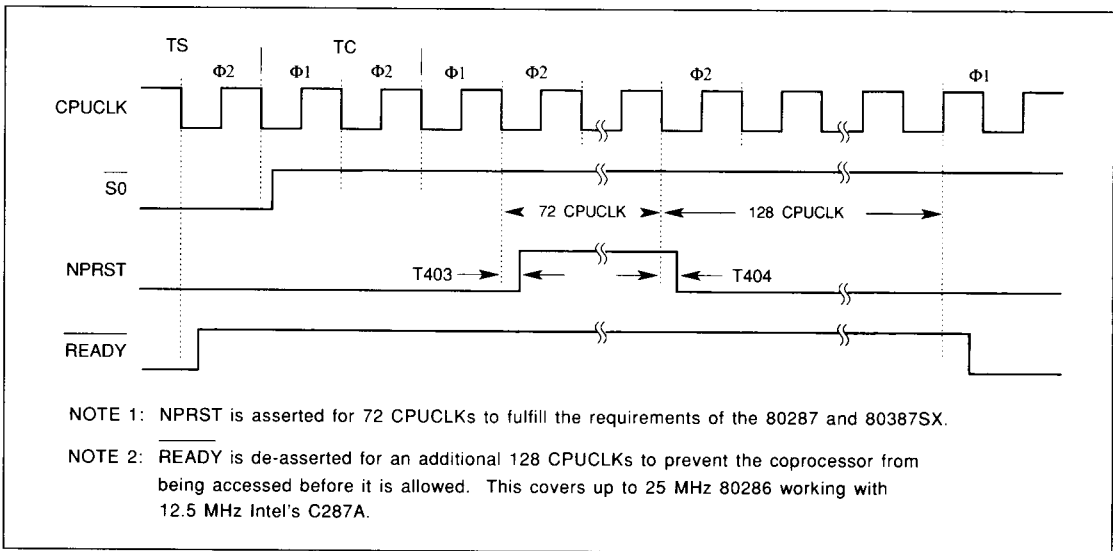
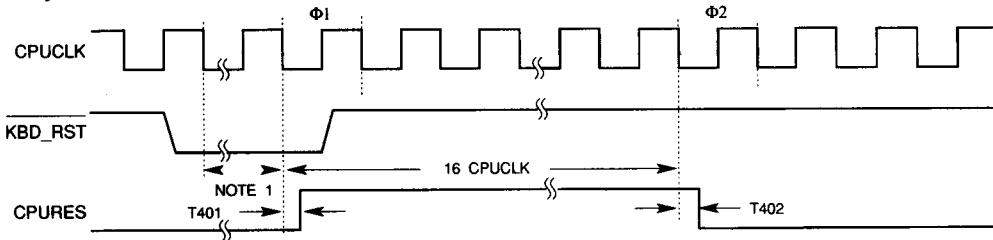


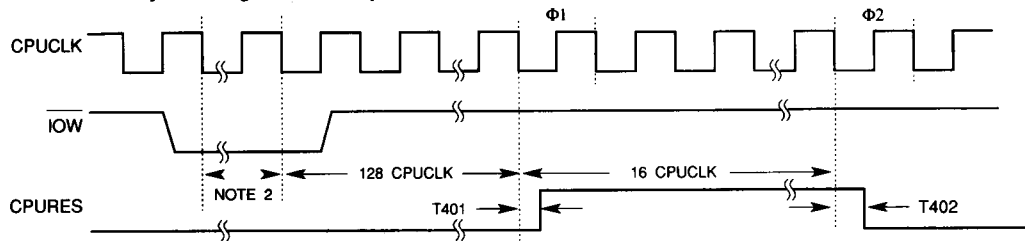
FIGURE 11-50. 80286 - COPROCESSOR RESET (NPRST) INITIATED BY IOW TO PORT F1



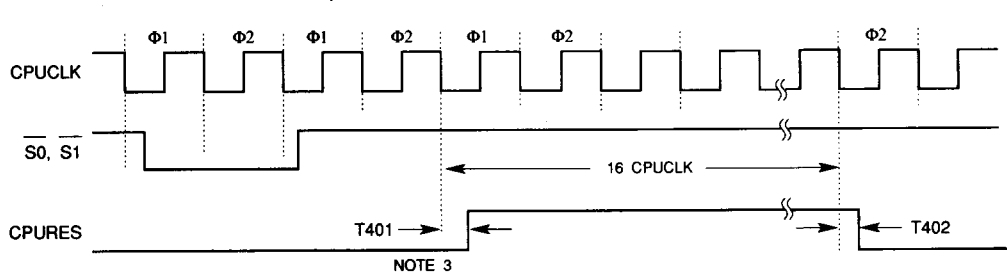
**Keyboard Controller Initiated Reset**



**Hot-Reset by setting bit 0 of port 92 to 1**



**Shut-down Initiated Reset (M/I0=1, S1=0, S0=0, A1=0)**



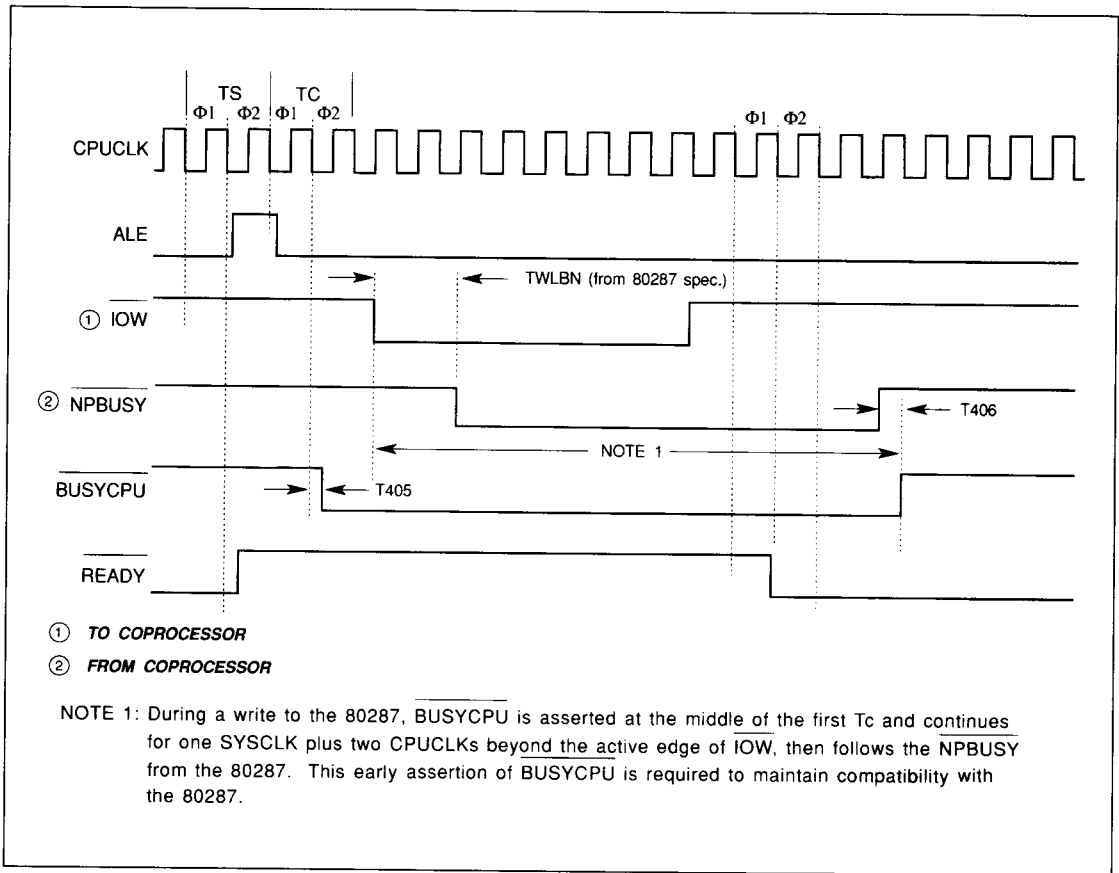
NOTE 1: This time can be as long as 8 MXCTL clocks (~4 SYSCLK) plus 2 CPUCLKs for synchronization.

NOTE 2: 1 SYSCLK, plus 2 CPUCLKs for synchronization.

NOTE 3: CPURES is asserted at the beginning of phase 1 to maintain the phase relationship with the 80286.

**FIGURE 11-51. 80286 - PROCESSOR RESET (CPURES) INITIATED BY SOURCES OTHER THAN POWER UP RESET**

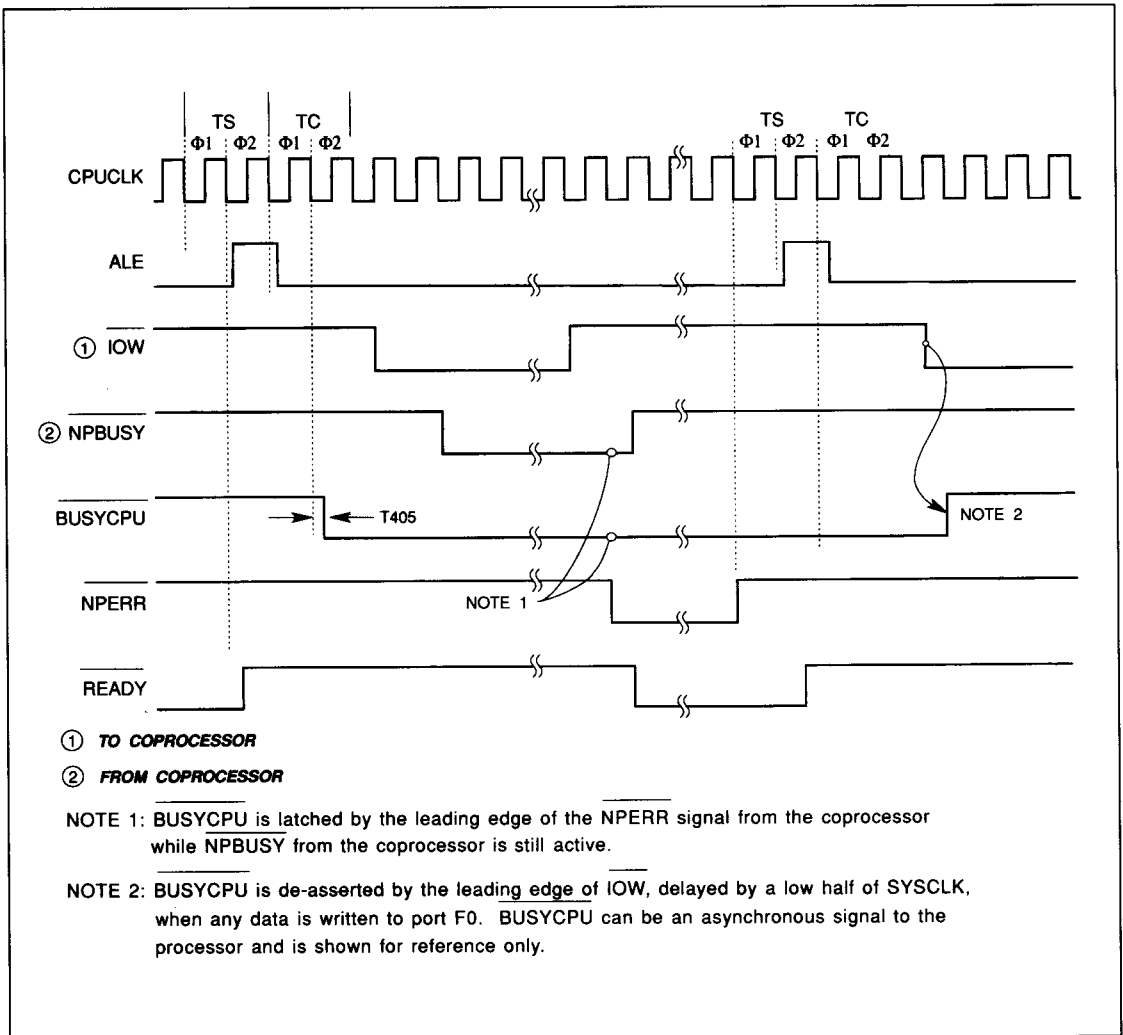




5

FIGURE 11-52. 80286 -  $BUSYCPU$  ASSERTED DURING COPROCESSOR ACCESS





**FIGURE 11-53. 80286 - LATCHING BUSYCPU WHEN AN ERROR OCCURS AND CLEARING IT WITH A WRITE TO PORT F0**



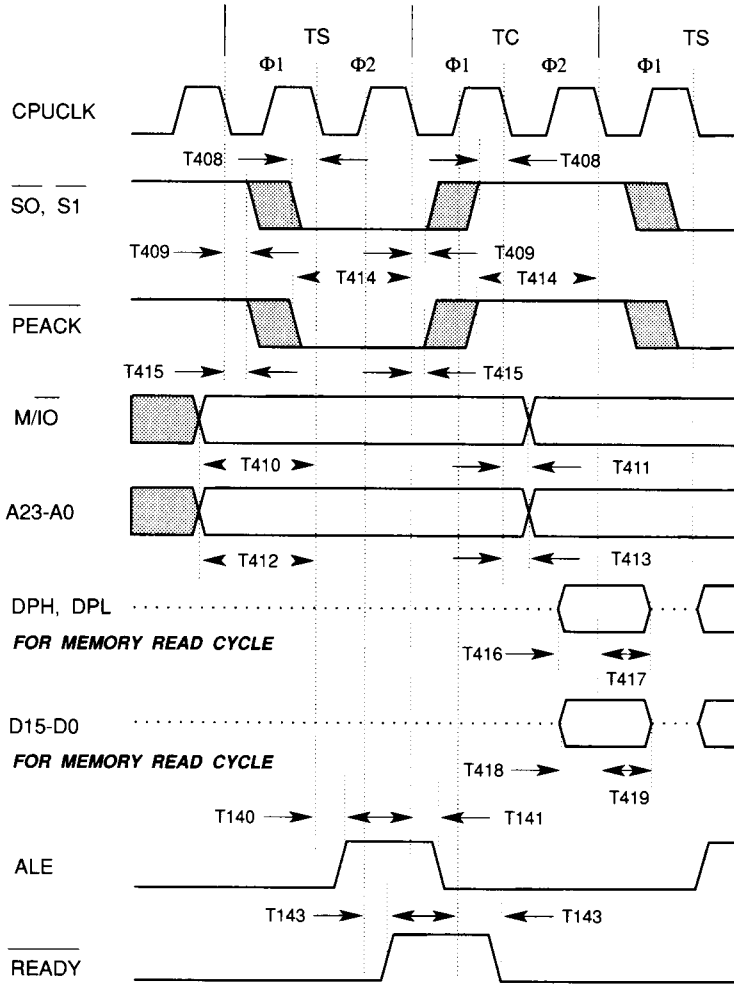


FIGURE 11-54. 80286 - MISCELLANEOUS TIMING



SYMBOL	CHARACTERISTIC	20 MHz		25 MHz		UNITS
		MIN	MAX	MIN	MAX	
T140	See Table 11-9					
T141	See Table 11-9					
T204	See Table 11-6					
T214	See Table 11-6					
T215	See Table 11-6					
T451	CPUCLK rise to CPURES rise delay		14		10	ns
T452	CPUCLK rise to CPURES fall delay		13		10	ns
T453	CPUCLK rise to NPRST rise delay		14		10	ns
T454	CPUCLK rise to NPRST fall delay		13		10	ns
T455	CPUCLK rise to $\overline{\text{BUSYCPU}}$ fall delay		35		35	ns
T456	CPUCLK rise to $\overline{\text{BUSYCPU}}$ rise delay		35		30	ns
T457	$\overline{\text{NPBUSY}}$ fall to $\overline{\text{BUSYCPU}}$ fall delay		30		30	ns
T458	$\overline{\text{NPBUSY}}$ rise to $\overline{\text{BUSYCPU}}$ rise delay		35		35	ns
T460	$\overline{\text{NPERR}}$ fall to EPEREQ rise delay		30		30	ns
T462	ADS# setup time to CPUCLK rise *	14		10		ns
T463	ADS# hold time from CPUCLK rise	5		4		ns
T464	W/R# setup time to CPUCLK rise *	14		8		ns
T465	W/R# hold time from CPUCLK rise	5		4		ns
T466	D/C# setup time to CPUCLK rise *	14		6		ns
T467	D/C# hold time from CPUCLK rise	5		4		ns
T468	M/I $\overline{\text{O}}$ setup time to CPUCLK rise *	17		15		ns
T469	M/I $\overline{\text{O}}$ hold time from CPUCLK rise	5		4		ns
T470	$\overline{\text{BHE}}$ setup time to CPUCLK rise	17		15		ns
T471	$\overline{\text{BHE}}$ hold time from CPUCLK rise	3		4		ns

TABLE 11-15. 80386SX CPU TIMING

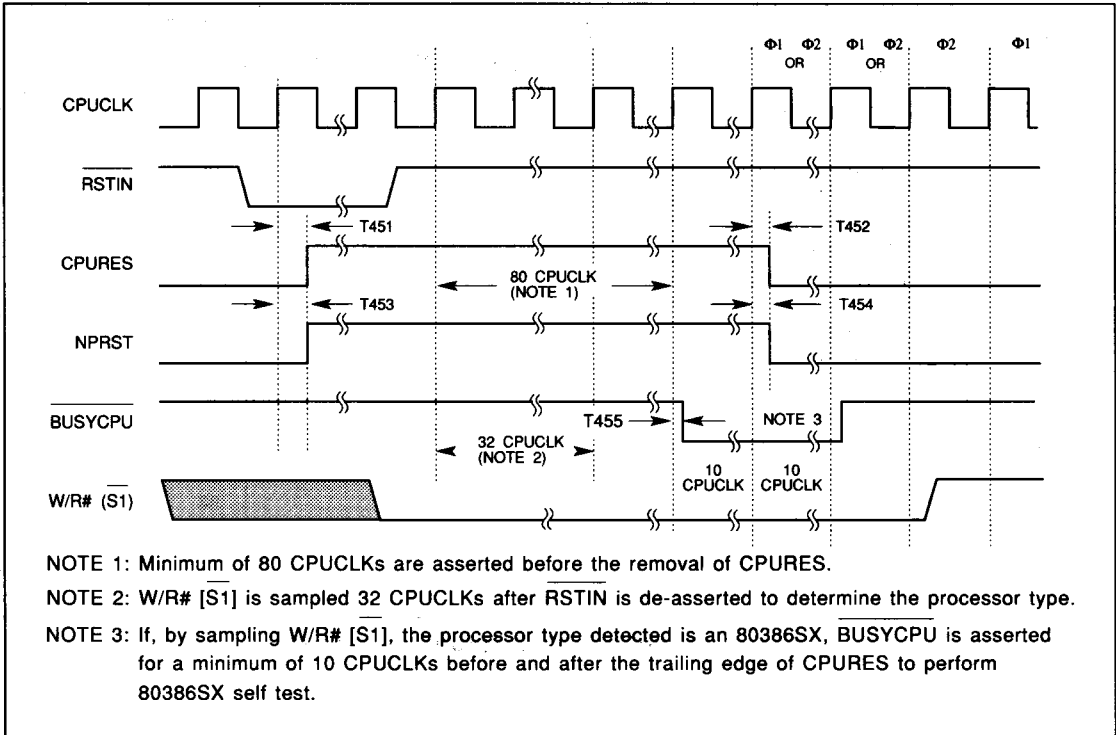




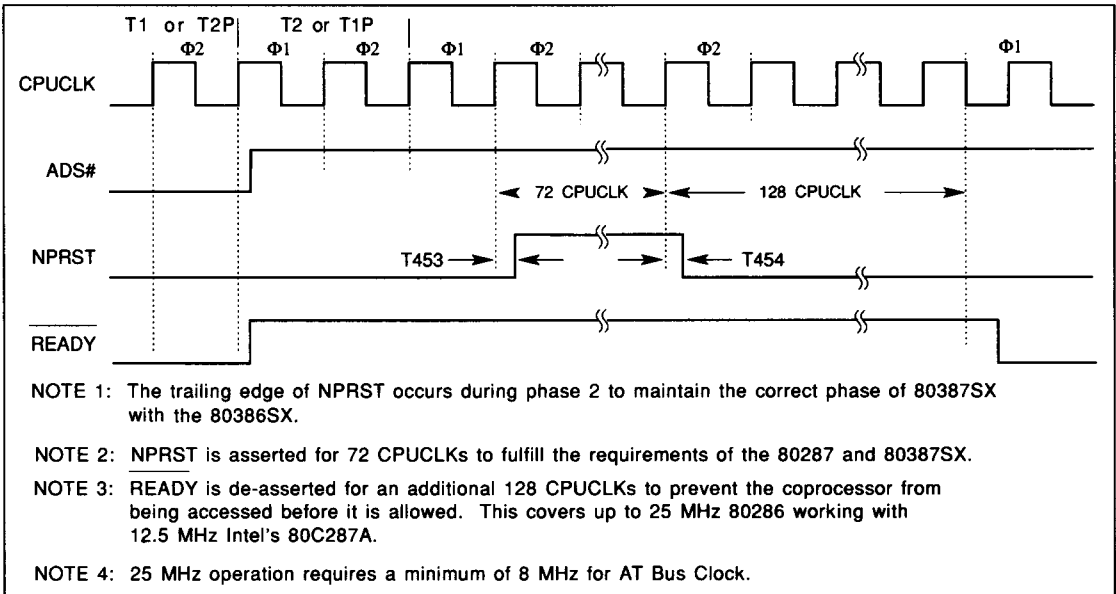
SYMBOL	CHARACTERISTIC	20 MHz		25 MHz		UNITS
		MIN	MAX	MIN	MAX	
T472	HLDA setup time to CPUCLK rise *	10		6		ns
T473	HLDA hold time from CPUCLK rise	3		4		ns
T474	HOLD valid delay from CPUCLK rise *		26		20	ns
T475	DPH setup time to CPUCLK rise	5		5		ns
T476	DPH hold time from CPUCLK rise	19		19		ns
T477	D15-D0 setup time to CPUCLK rise	5		5		ns
T478	D15-D0 hold time from CPUCLK rise	19		19		ns
T479	A23-A1, BLE# setup time to CPUCLK rise *	40		38		ns
T480	A23-A1, BLE# hold time from CPUCLK rise	3		4		ns

TABLE 11-15. 80386SX CPU TIMING (Continued)





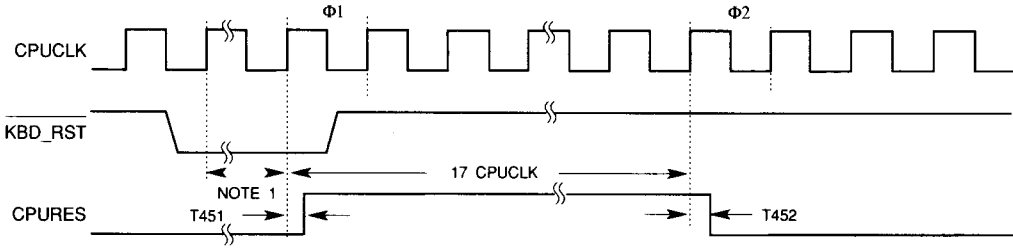
**FIGURE 11-55. 80386SX - CPURES AND NPRST DURING POWER UP**



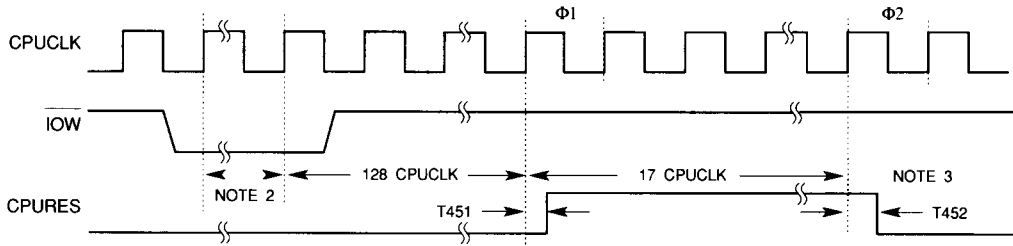
**FIGURE 11-56. 80386SX - COPROCESSOR RESET (NPRST) INITIATED BY IOW TO PORT F1**



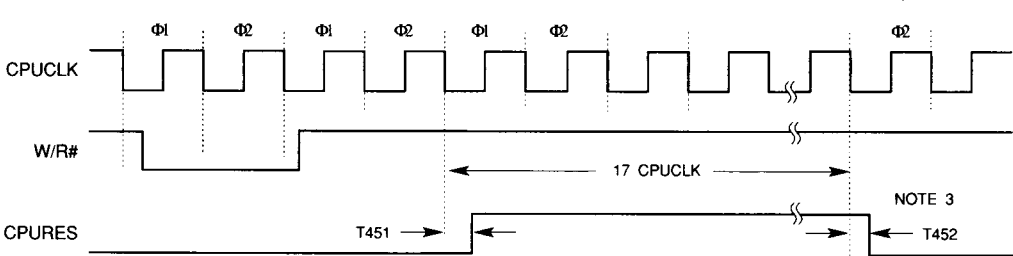
**Keyboard Controller Initiated Reset**



**Hot-Reset by setting bit 0 of port 92 to 1**



**Shut-down initiated Reset (W/R#=1, D/C#=0, M/I0=1, BHE=1, BLE#=0, A1=0)**



NOTE 1: This time can be as long as 8 MXCTL clocks (~4 SYSCLK) plus 2 CPUCLKs for synchronization.

NOTE 2: 1 SYSCLK, plus 2 CPUCLKs for synchronization.

NOTE 3: CPURES is de-asserted at the beginning of phase 1 to maintain the phase relationship with the 80386SX.

**FIGURE 11-57. 80386SX - PROCESSOR RESET (CPURES) INITIATED BY SOURCES OTHER THAN POWER UP RESET**



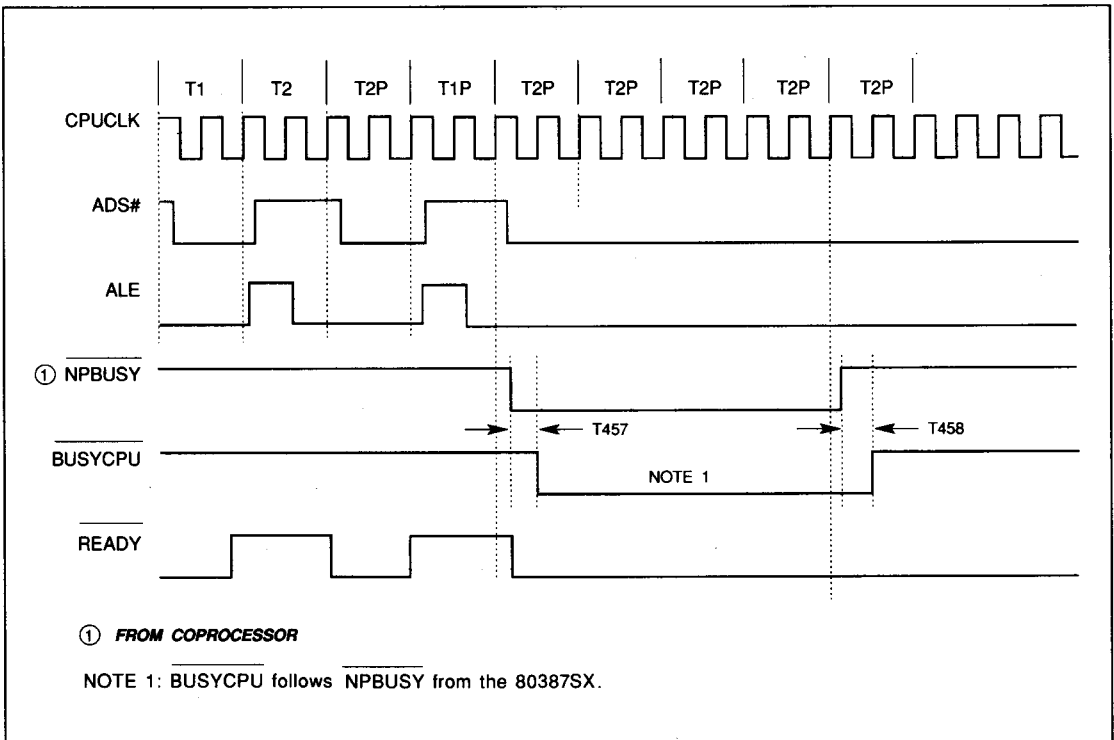
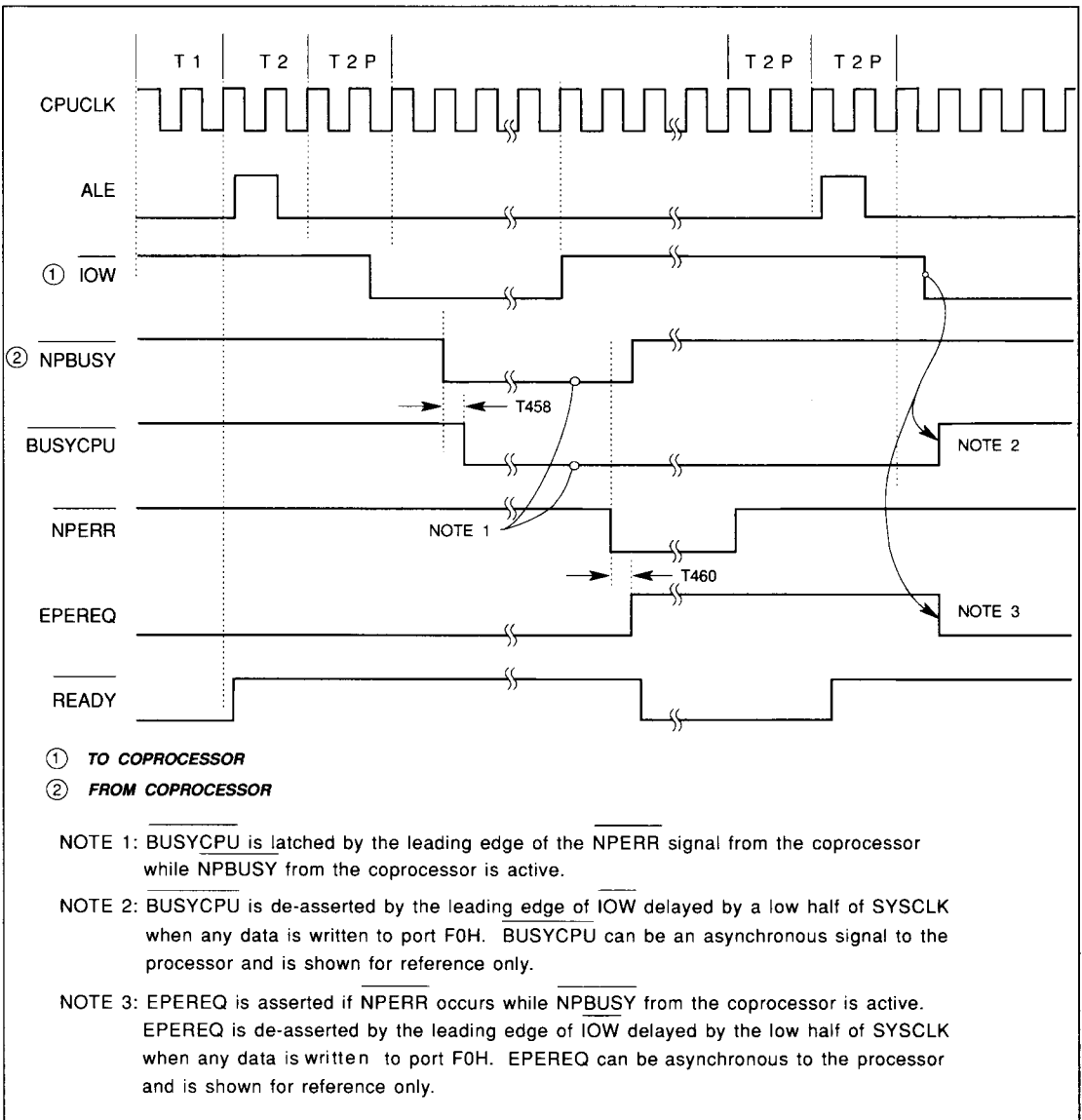


FIGURE 11-58. 80386SX - BUSYCPU ASSERTION DURING COPROCESSOR ACCESS





5

**FIGURE 11-59. 80386SX - LATCHING BUSYCPU WHEN AN ERROR OCCURS AND CLEARING IT WITH A WRITE TO PORT F0**



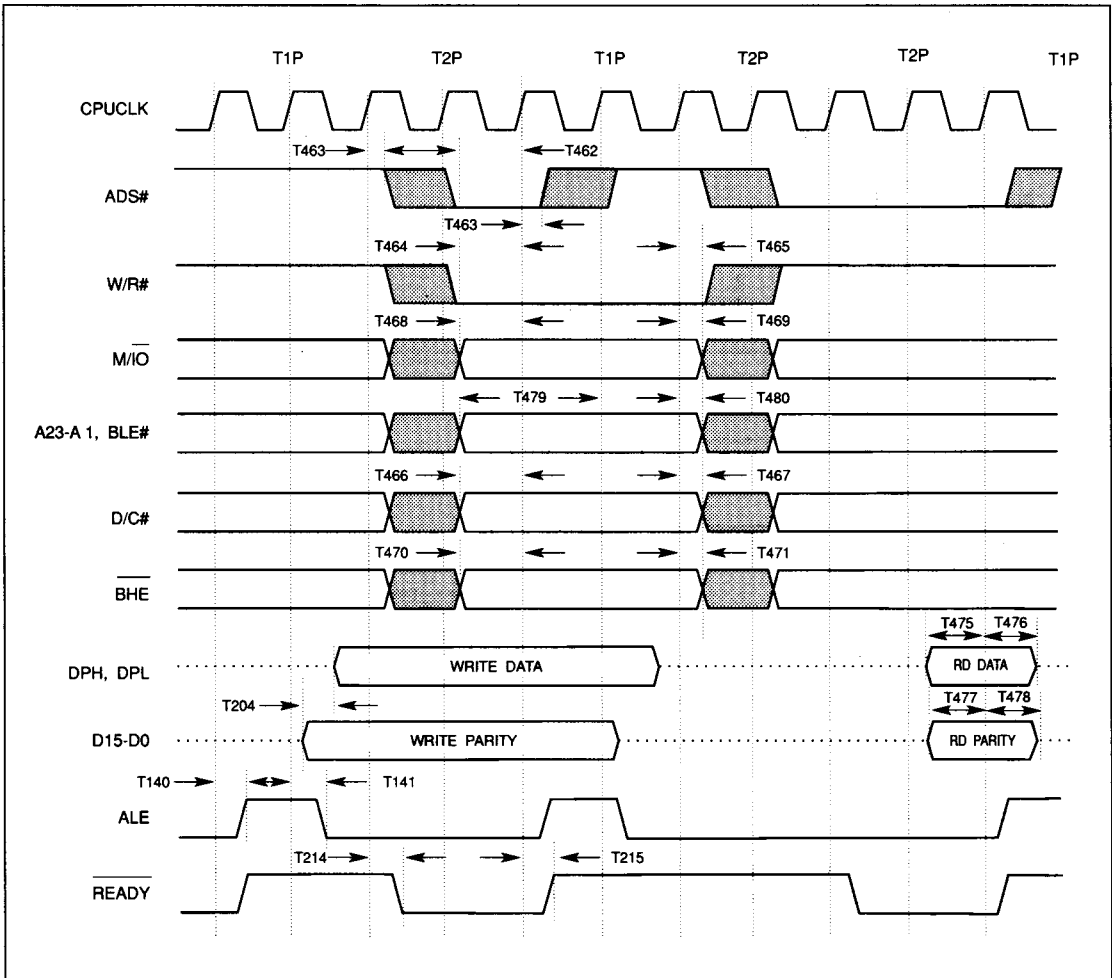


FIGURE 11-60. 80386SX - MISCELLANEOUS TIMING

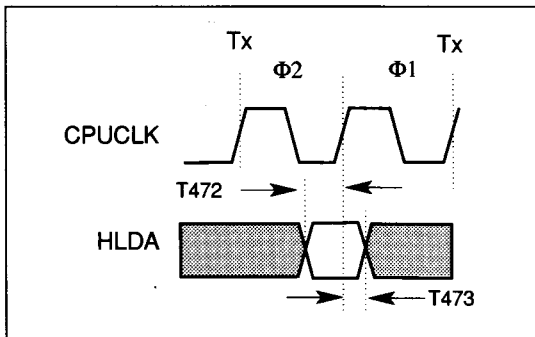


FIGURE 11-61. 80386SX - INPUT SETUP AND HOLD TIMING

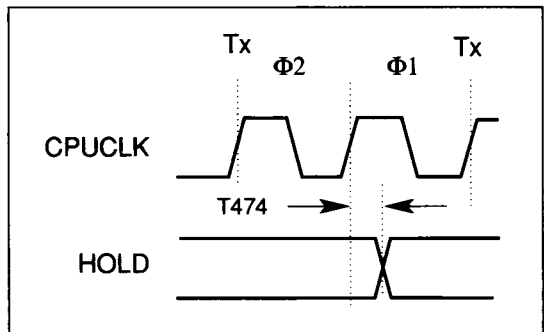


FIGURE 11-62. 80386SX - OUTPUT DELAY TIMING



## 12.0 PIN STATES DURING CHIP RESET

PIN NUMBER	SIGNAL NAME	RESET STATE	PROCESSOR POWER DOWN		FULL POWER DOWN		
			Input	Output	Input	Output	
<b>AT BUS</b>							
40	$\overline{\text{IOR}}$ ③	High ①	I	O	IH	Z	
39	$\overline{\text{IOW}}$ ③	High ①	I	O	IH	Z	
38	$\overline{\text{MEMR}}$ ③	High ①	I	O	IH	Z	
37	$\overline{\text{MEMW}}$ ③	High ①	I	O	IH	Z	
36	$\overline{\text{LOMEG}}$	High		O		Z	
28	AEN	Low		O		Z	
79	BALE	Low		O		Z	
77	SYSCLK	Low		O		Z	
25	LA20	High ① ②	I	O	IH	Z	
24	SA0	Low ① ②	I	O	IH	Z	
32	$\overline{\text{REFRESH}}$ ③	Low	I	O	IH	O	
26	$\overline{\text{MASTER}}$ ③	Input	I		IH		
83	$\overline{\text{IOCK}}$ ③	Input	I		IH		
21	$\overline{\text{IOCS16}}$ ③	Input	I		IH		
22	$\overline{\text{MEMCS16}}$ ③	Input	I		IH		
20	$\overline{\text{ZEROWS}}$ ③	Input	I		IH		
19	$\overline{\text{IOCHRDY}}$ ③	Input	I		IH		
116	DACKEN	High		O		O	
114	MXCTL2	High		O		O	
113	MXCTL1	Low		O		O	
112	MXCTL0	Low		O		O	
18	DRQIN	Input	I		IL		
110	IRQSET1	Input	I		IH		
111	IRQSET0	Input	I		IH		
23	SPKR	Low		O		O	
27	ALE	High		O		Z	
115	$\overline{\text{CSEN}}$	Low		O		O	

① – If MASTER is asserted, the outputs are tristated and the pins become inputs.  
 ② – Assumes processor address = FFFFF0 during reset.  
 ③ – Internal 50 Kohm pullup, disabled in power-down mode.  
 IH – Input internally forced high in power-down mode.  
 IL – Input internally forced low in power-down mode.  
 Z – Output tristated in power-down mode.

TABLE 12-1. PIN STATES DURING CHIP RESET



PIN NUMBER	SIGNAL NAME	RESET STATE	PROCESSOR POWER DOWN		FULL POWER DOWN	
			Input	Output	Input	Output
<b>AT BUS (Continued)</b>						
74	DT/R	High		O		Z
76	DEN0	High		O		Z
75	DEN1	High		O		Z
29	SDEN	High		O		Z
30	SDT/R [486] ⑤	Input ⑥	I	O	IL	Z
<b>286/386SX PROCESSOR</b>						
52	CPUCLK	Same as BCLK2	IL	Z	IL	Z
47	READY ③	Low		Z		Z
51	RDYIN/CKA/PE ③	Input	I		IH	
78	CPURES	High		Z		Z
49	HOLD	Low		Z		Z
55	INTRQ	Low		Z		Z
54	NMI	Low		Z		Z
45	S0(ADS#) ③	Input	IH		IH	
46	S1(W/R#) ③	Input	IH		IH	
41	BHE ③	Input	IH	Z	IH	Z
43	PEACK(D/C#) ③	Input	IH		IH	
44	M/I0 ③	Input	IL		IL	
48	HLDA ③	Low	IL		IL	
53	BUSYCPU	High		Z		Z
80	A23 ⑧	Input	IL	Z	IL	Z
81	A22 ⑧	Input	IL	Z	IL	Z
82	A21 ⑧	Input	IL	Z	IL	Z
88	A20 ⑧	Input	IL	Z	IL	Z
89	A19 ⑧	Input	IL	Z	IL	Z
90	A18 ⑧	Input	IL	Z	IL	Z
<p>③ – Internal 50 Kohm pullup, disabled in power-down mode.            ⑤ – Internal 80 Kohm pullup, disabled in processor power-down mode and in full power-down mode.            ⑥ – Returns to output when RSTIN is de-asserted            ⑧ – 100 Kohm pulldown resistors are turned on when the processor is in power down or suspend mode to prevent the data bus or address bus from floating. In normal operation these pull down resistors are turned off.</p> <p>IH – Input internally forced high in power-down mode.            IL – Input internally forced low in power-down mode.            Z – Output tristated in power-down mode.</p>						

TABLE 12-1. PIN STATES DURING CHIP RESET (Continued)





PIN NUMBER	SIGNAL NAME	RESET STATE	PROCESSOR POWER DOWN		FULL POWER DOWN		
			Input	Output	Input	Output	
<b>286/386SX PROCESSOR Continued</b>							
91	A17	⑧	Input	IL	Z	IL	Z
92	A16	⑧	Input	IL	Z	IL	Z
93	A15	⑧	Input	IL	Z	IL	Z
94	A14	⑧	Input	IL	Z	IL	Z
95	A13	⑧	Input	IL	Z	IL	Z
96	A12	⑧	Input	IL	Z	IL	Z
97	A11	⑧	Input	IL	Z	IL	Z
100	A10	⑧	Input	IL	Z	IL	Z
102	A9	⑧	Input	IL	Z	IL	Z
103	A8	⑧	Input	IL	Z	IL	Z
104	A7	⑧	Input	IL	Z	IL	Z
105	A6	⑧	Input	IL	Z	IL	Z
106	A5	⑧	Input	IL	Z	IL	Z
107	A4	⑧	Input	IL	Z	IL	Z
108	A3	⑧	Input	IL	Z	IL	Z
109	A2	⑧	Input	IL	Z	IL	Z
87	A1	⑧	Input	IL	Z	IL	Z
86	A0[BLE#]	⑧	Input	IL	Z	IL	Z
<b>DRAM CONTROL</b>							
126	RA10[CS2]		High ②		O		O
127	RA9[CS1]		High ②		O		O
128	RA8[CS0]		High ②		O		O
130	RA7/ED7		High ②	I ⑨	O	I	O
131	RA6/ED6		High ②	I ⑨	O	I	O
1	RA5/ED5		High ②	I ⑨	O	I	O
3	RA4/ED4		High ②	I ⑨	O	I	O
4	RA3/ED3		High ②	I ⑨	O	I	O
② – Assumes processor address = FFFF0 during reset. ⑧ – 100 Kohm pulldown resistors are turned on when the processor is in power down or suspend mode to prevent the data bus or address bus from floating. In normal operation these pull down resistors are turned off. ⑨ Bidirectional buffer. IH – Input internally forced high in power-down mode. IL – Input internally forced low in power-down mode. Z – Output tristated in power-down mode.							

TABLE 12-1. PIN STATES DURING CHIP RESET (Continued)



PIN NUMBER	SIGNAL NAME	RESET STATE	PROCESSOR POWER DOWN		FULL POWER DOWN	
			Input	Output	Input	Output
<b>DRAM CONTROL Continued</b>						
6	RA2/ED2	Low ②	I ⑨	O	I	O
7	RA1/ED1	Low ②	I ⑨	O	I	O
8	RA0/ED0	Low ②	I ⑨	O	I	O
14	RAS3 ④	High		O		O
11	RAS2 ④	High		O		O
125	RAS1 ④	High		O		O
122	RAS0 ④	High		O		O
12	CASH3 ⑤	Input ⑦	I		IH	Z
9	CASH2 ④	High		O		O
123	CASH1 ④	High		O		O
120	CASH0 ④	High		O		O
13	CASL3 ⑤	Input ⑦	I		IH	Z
10	CASL2 ⑤	Input ⑦	I		IH	Z
124	CASL1 ④	High		O		O
121	CASL0 ④	High		O		O
119	W/R	Low		O		O
<b>DATA BUS</b>						
15	DPH[CS4] ④	Low	I	O	I	O
16	DPL[CS3] ④	Low	I	O	I	O
73	D15 ⑧	Input	IL	Z	IL	Z
72	D14 ⑧	Input	IL	Z	IL	Z
71	D13 ⑧	Input	IL	Z	IL	Z
② – Assumes processor address = FFFFF0 during reset. ④ – Internal 50 Kohm pullup, disabled in processor power-down mode and in full power-down mode. ⑤ – Internal 80 Kohm pullup, disabled in processor power-down mode and in full power-down mode. ⑦ – In 80486 mode (CASH3 low at trailing edge of RSTIN) this remains an input after RSTIN is de-asserted. In 80286/80386 mode (CASH3 high at trailing edge of RSTIN) it switches to output after RSTIN is de-asserted. ⑧ – 100 Kohm pulldown resistors are turned on when the processor is in power down or suspend mode to prevent the data bus or address bus from floating. In normal operation these pull down resistors are turned off. ⑨ – Bidirectional buffer. IH – Input internally forced high in power-down mode. IL – Input internally forced low in power-down mode. Z – Output tristated in power-down mode.						

TABLE 12-1. PIN STATES DURING CHIP RESET (Continued)



PIN NUMBER	SIGNAL NAME	RESET STATE	PROCESSOR POWER DOWN		FULL POWER DOWN		
			Input	Output	Input	Output	
<b>DATA BUS Continued</b>							
70	D12	⑧	Input	IL	Z	IL	Z
68	D11	⑧	Input	IL	Z	IL	Z
66	D10	⑧	Input	IL	Z	IL	Z
65	D9	⑧	Input	IL	Z	IL	Z
64	D8	⑧	Input	IL	Z	IL	Z
63	D7	⑧	Input	IL	Z	IL	Z
62	D6	⑧	Input	IL	Z	IL	Z
61	D5	⑧	Input	IL	Z	IL	Z
60	D4	⑧	Input	IL	Z	IL	Z
59	D3	⑧	Input	IL	Z	IL	Z
58	D2	⑧	Input	IL	Z	IL	Z
57	D1	⑧	Input	IL	Z	IL	Z
56	D0	⑧	Input	IL	Z	IL	Z
<b>NUMERIC PROCESSOR CONTROL</b>							
34	EPEREQ		Low		Z		Z
35	NPRST		High		Z		Z
42	NPERR	③	Input	IH		IH	
85	NPBUSY	③	Input	IH		IH	
<b>INITIALIZATION AND CLOCKING</b>							
17	RSTIN		Input	I		I	
50	BCLK2		Input	I		IL	
84	CLK14		Input	I		I	
<b>POWER MANAGEMENT CONTROL</b>							
118	PMCIN	③	Input	I		I	
117	PDREF	③	Input	I		I	
③ – Internal 50 Kohm pullup, disabled in power-down mode. ⑧ – 100 Kohm pulldown resistors are turned on when the processor is in power down or suspend mode to prevent the data bus or address bus from floating. In normal operation these pull down resistors are turned off. IH – Input internally forced high in power-down mode. IL – Input internally forced low in power-down mode. Z – Output tristated in power-down mode.							

TABLE 12-1. PIN STATES DURING CHIP RESET (Continued)

<b>POWER AND GROUND</b>	
<b>Pin Number</b>	<b>Signal Name</b>
5	VSS1
33	VSS2
67	VSS4
98	VSS5
99	VSS6
129	VSS7
132	VSS8
2	VCC1
31	VCC2
69	VCC3
101	VCC4



### 13.0 PACKAGE DIMENSIONS

Figure 13-1 Illustrates the 132-Pin PQFP package showing the dimensions in inches.

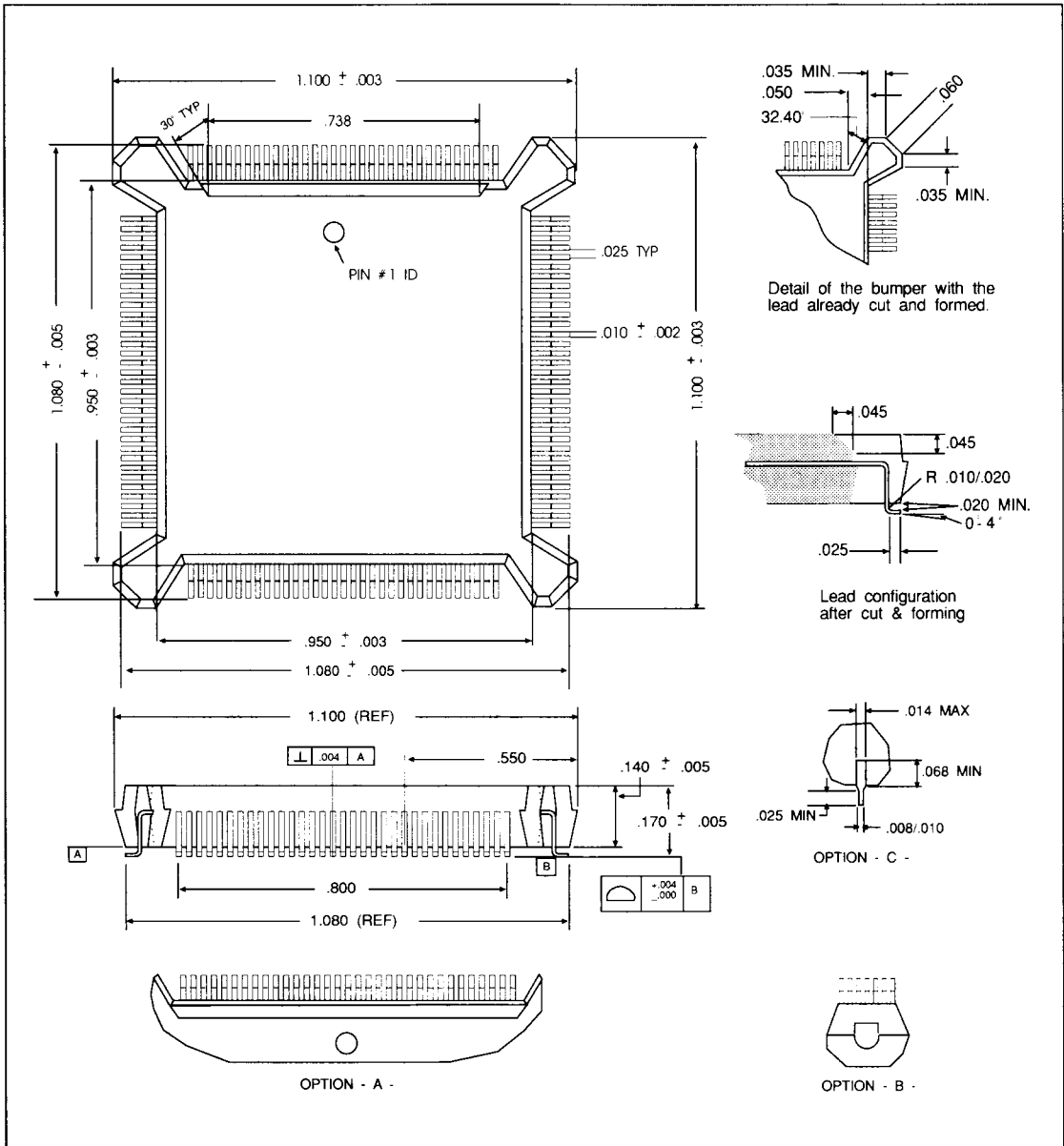


FIGURE 13-1. 132-PIN PQFP PACKAGE

## APPENDIX - A - WD76C10ALV Low Voltage

### A.0 DC ELECTRICAL SPECIFICATIONS

This section provides the DC Operating Characteristics for the WD76C10ALV. The parameters that differ from the WD76C10A/LP are marked with an \*.

#### A.1 MAXIMUM RATINGS

Supply Voltage (Vcc) with respect to Vss (ground)	Vcc - Vss ≤ 7.0 Volts
Voltage on any pin with respect to Vss (ground)	Vss -0.3 Volts to Vdd +0.3 Volts
Operating Temperature	0°C (32°F) to 70°C (158°F)
Storage Temperature	-40°C (-40°F) to 125°C (257°F)
Power Dissipation	300 mW *

#### NOTE

Maximum limits indicate where permanent device damage occurs. Continuous operation at these limits is not intended and should be limited to those conditions specified in the DC Operating Characteristics.

#### A.2 DC OPERATING CHARACTERISTICS

TA = 0°C (32°F) to 70°C (158°F)

Vcc = +3.3V ±0.3V for WD76C10ALV \*

SYMBOL	CHARACTERISTIC	MIN	MAX	UNIT	CONDITIONS
IIL	Input Leakage		± 10	μA	Vin = .4 to Vcc
IOZ	Tristate And Open Drain Output Leakage		± 10	μA	Vout = .4 to Vcc
VIH	Input High Voltage	2.0		V	
VIL	Input Low Voltage		.8	V	
VIHC	CPUCLK Input High *	VCC -0.8		V	
VIL	CPUCLK Input Low		.6	V	
ICC	Supply Current *		120 150	mA mA	Inputs at 2.0V Inputs at 5.0V Outputs Open, CPUCLK = 32 MHz

TABLE A-1. DC OPERATING CHARACTERISTICS



**FOR PINS WITH INTERNAL PULLUPS:**

$\overline{\text{MASTER}}$ ,  $\overline{\text{IOCK}}$ ,  $\overline{\text{IOCS16}}$ ,  $\overline{\text{MEMCS16}}$ ,  $\overline{\text{ZEROWS}}$ ,  $\overline{\text{IOCHRDY}}$ ,  $\overline{\text{RDYIN}}$ ,  $\overline{\text{PDREF}}$

SYMBOL	CHARACTERISTIC	MIN	MAX	UNIT	CONDITIONS
IIL	Input Pullup Current *	-27	-40	$\mu\text{A}$	Not suspend and resume mode

**TABLE A-1. DC OPERATING CHARACTERISTICS (Continued)**

$\overline{\text{M/IO}}$ ,  $\overline{\text{PEACK}}$ ,  $\overline{\text{NPERR}}$ ,  $\overline{\text{NPBUSY}}$ ,  $\overline{\text{S0}}$ ,  $\overline{\text{S1}}$ ,  $\overline{\text{NPRST}}$ ,  $\overline{\text{CPURES}}$ ,  $\overline{\text{DPH}}$ ,  $\overline{\text{DPL}}$

SYMBOL	CHARACTERISTIC	MIN	MAX	UNIT	CONDITIONS
IIL	Input Pullup Current *	-27	-90	$\mu\text{A}$	Not processor down or suspend mode

**TABLE A-1. DC OPERATING CHARACTERISTICS (Continued)**

$\overline{\text{PMCIN}}$ ,  $\overline{\text{IOCHRDY}}$ ,  $\overline{\text{ZEROWS}}$ ,  $\overline{\text{IOCS16}}$ ,  $\overline{\text{MEMCS16}}$ ,  $\overline{\text{MASTER}}$ ,  $\overline{\text{PDREF}}$ ,  $\overline{\text{REFRESH}}$ ,  $\overline{\text{BHE}}$ ,  $\overline{\text{IOR}}$ ,  $\overline{\text{IOW}}$ ,  $\overline{\text{MEMR}}$ ,  $\overline{\text{MEMW}}$

SYMBOL	CHARACTERISTIC	MIN	MAX	UNIT	CONDITIONS
IIL	Input Pullup Current *	-27	-90	$\mu\text{A}$	Not suspend mode

**TABLE A-1. DC OPERATING CHARACTERISTICS (Continued)**

$\overline{\text{CASL3}}$ ,  $\overline{\text{CASL2}}$ ,  $\overline{\text{CASH3}}$ ,  $\overline{\text{SDT/R}}$

SYMBOL	CHARACTERISTIC	MIN	MAX	UNIT	CONDITIONS
IIL	Input Pullup Current *	-27	-90	$\mu\text{A}$	$\overline{\text{RESET IN}} = 0$

**TABLE A-1. DC OPERATING CHARACTERISTICS (Continued)****FOR PINS WITH INTERNAL PULLDOWNS:**

A23-A0, D15-D0

SYMBOL	CHARACTERISTIC	MIN	MAX	UNIT	CONDITIONS
IIL	Input Pulldown Current *	-27	-90	$\mu\text{A}$	Processor power down or suspend mode

**TABLE A-1. DC OPERATING CHARACTERISTICS (Continued)**

**FOR OUTPUTS:**

DACK2-0, DACKEN, D15-D0, READY, CPURES, HOLD, INTRQ, A23-A0, NMI, DPH, DPL, RA10-RA8, RA7/ED7-RA0/ED0, BHE, RAS3-RAS0, CASL3-CSL0, CASH3-CASH0, W/R, DT/R, DEN1, DEN0, SDT/R, SDEN, CSEN, LOMEG

SYMBOL	CHARACTERISTIC	MIN	MAX	UNIT	CONDITIONS
VOH	Output High Voltage *	V <sub>cc</sub> -0.2		V	IOUT = -100 μA
VOH	Output High Voltage *	2.4		V	IOUT = -1 mA
VOL	Output Low Voltage *		.4	V	IOUT = 1.5 mA

**TABLE A-1. DC OPERATING CHARACTERISTICS (Continued)****FOR OUTPUTS:**

MXCTL2-0

SYMBOL	CHARACTERISTIC	MIN	MAX	UNIT	CONDITIONS
VOH	Output High Voltage	V <sub>cc</sub> - .8		V	IOUT = -200 μA
VOH	Output High Voltage *	2.4		V	IOUT = -3 mA
VOL	Output Low Voltage *		.4	V	IOUT = 3 mA

**TABLE A-1. DC OPERATING CHARACTERISTICS (Continued)****FOR OUTPUTS:**

IOR, IOW, MEMR, MEMW, AEN, SYSCLK, BALE, LA20, SA0

SYMBOL	CHARACTERISTIC	MIN	MAX	UNIT	CONDITIONS
VOH	Output High Voltage	2.4		V	IOUT = -3 mA
VOL	Output Low Voltage *		.5	V	IOUT = 12 mA

**TABLE A-1. DC OPERATING CHARACTERISTICS (Continued)****FOR OUTPUT:**

REFRESH

SYMBOL	CHARACTERISTIC	MIN	MAX	UNIT	CONDITIONS
VOL	Output Low Voltage *		.4	V	IOUT = 12 mA

**TABLE A-1. DC OPERATING CHARACTERISTICS (Continued)**



### A.3 AC OPERATING CHARACTERISTICS

This section provides the WD76C10ALV AC Operating Characteristics for the 80386SX Page Mode and 80386SX CPU Mode. The parameters that differ from the WD76C10A/LP are marked with an \*.

SIGNAL	LOAD	SIGNAL	LOAD	SIGNAL	LOAD
CPURES	50 pF	NPRST	50 pF	BHE	50 pF
W/R	50 pF	ALE	50 pF	DEN1, DEN0	50 pF
SDEN	50 pF	DT/R	50 pF	SDT/R	50 pF
MXCTL2 - 0	50 pF	DACKEN	50 pF	CSEN	50 pF
LOMEG	50 pF	SPKR	50 pF	READY	50 pF
HOLD	50 pF	INTRQ	50 pF	NMI	50 pF
BUSYCPU	50 pF	EPEREQ	50 pF	A23 - A0	60 pF
CPUCLK	70 pF	SYSCLK	75 pF	CASH3 - 0 *	50 pF
CASL3 - 0	75 pF	D15 - D0	100 pF	DPH	100 pF
DPL	100 pF	RAS3 - RAS0	150 pF	IOW	200 pF
IOR	200 pF	MEMW	200 pF	MEMR	200 pF
LA20	200 pF	SA0	200 pF	AEN	200 pF
BALE	200 pF	REFRESH	200 pF	RA10 - RA0 *	220 pF

TABLE A-2. SIGNAL LOADING



## A.4 80386SX PAGE MODE TIMING

SYMBOL	CHARACTERISTIC	MAX 12.5 MHz	MAX 20 MHz	MAX 25 MHz
T200	Processor ADDRESS to RAM address valid, Page Hit		34	27
T201	CPUCLK rise to CAS fall, 2.5 CLK CAS		31	25
T202	CPUCLK fall to CAS rise		24	21
T203	CPUCLK fall to CAS fall, 2.0 CLK CAS		27	22
T204	Processor data to parity valid		25	20
T205	CPUCLK rise to RAM address valid, Page Miss		48	43
T206	CPUCLK rise to WNRDRAM rise		31	28
T207	CPUCLK fall to RAS fall, first access		27	21
T208	CPUCLK rise to COLUMN address valid		49	33
T209	CPUCLK rise to WNRDRAM fall		31	28
T212	CPUCLK rise to RAS rise, Page Miss		27	24
T213	CPUCLK fall to RAS fall, Page Miss		27	24
T214	CPUCLK rise to READY fall *		25	25
T215	CPUCLK rise to READY rise *		25	25

TABLE A-3. 80386SX - PAGE MODE MEMORY TIMING



SYMBOL	CHARACTERISTIC	20 MHz		25 MHz		UNITS
		MIN	MAX	MIN	MAX	
T140	See Table 11-9					
T141	See Table 11-9					
T204	See Table 11-6					
T214	See Table 11-6					
T215	See Table 11-6					
T451	CPUCLK rise to CPURES rise delay		14		12	ns
T452	CPUCLK rise to CPURES fall delay		13		12	ns
T453	CPUCLK rise to NPRST rise delay		14		10	ns
T454	CPUCLK rise to NPRST fall delay		13		10	ns
T455	CPUCLK rise to $\overline{\text{BUSYCPU}}$ fall delay		35		35	ns
T456	CPUCLK rise to $\overline{\text{BUSYCPU}}$ rise delay		35		30	ns
T457	$\overline{\text{NPBUSY}}$ fall to $\overline{\text{BUSYCPU}}$ fall delay		30		30	ns
T458	$\overline{\text{NPBUSY}}$ rise to $\overline{\text{BUSYCPU}}$ rise delay		35		35	ns
T460	$\overline{\text{NPERR}}$ fall to EPEREQ rise delay		30		30	ns
T462	ADS# setup time to CPUCLK rise *	14		14		ns
T463	ADS# hold time from CPUCLK rise	5		4		ns
T464	W/R# setup time to CPUCLK rise *	14		12		ns
T465	W/R# hold time from CPUCLK rise	5		4		ns
T466	D/C# setup time to CPUCLK rise *	14		10		ns
T467	D/C# hold time from CPUCLK rise	5		4		ns
T468	M/I $\overline{\text{O}}$ setup time to CPUCLK rise *	17		19		ns
T469	M/I $\overline{\text{O}}$ hold time from CPUCLK rise	5		4		ns
T470	$\overline{\text{BHE}}$ setup time to CPUCLK rise	17		15		ns
T471	$\overline{\text{BHE}}$ hold time from CPUCLK rise	3		4		ns

TABLE A-4. 80386SX CPU TIMING



SYMBOL	CHARACTERISTIC	20 MHz		25 MHz		UNITS
		MIN	MAX	MIN	MAX	
T472	HLDA setup time to CPUCLK rise *	10		10		ns
T473	HLDA hold time from CPUCLK rise	3		4		ns
T474	HOLD valid delay from CPUCLK rise *		26		26	ns
T475	DPH setup time to CPUCLK rise	5		5		ns
T476	DPH hold time from CPUCLK rise	19		19		ns
T477	D15-D0 setup time to CPUCLK rise	5		5		ns
T478	D15-D0 hold time from CPUCLK rise	19		19		ns
T479	A23-A1, BLE# setup time to CPUCLK rise *	42		42		ns
T480	A23-A1, BLE# hold time from CPUCLK rise	3		4		ns

TABLE A-4. 80386SX CPU TIMING (Continued)



## APPENDIX - B - REVISION HISTORY

### REVISION HISTORY - 1

Revision History 1 identifies the changes made from the document dated 3/4/91 to the document dated 4/10/91.

SECTION	CHANGE
1.2 Features	Second feature modified.
1.3.1 WD75C10	Two way interleave deleted.
1.3.2 WD76C10	Third paragraph deleted.
1.3.3 WD76C10LP	Automatic processor clock speed switching, 1 mA changed to 20 mA.
Figure 1-1	VGA block, RAMDAC block and BIOS EPROM modified.
2.0 Architecture	(WD76C10LP only) added.
2.1 Initialization And Clocking	First paragraph modified.
2.3 Main Processor Control	Last paragraph deleted.
2.6 Memory And EMS Control	Two way and four way interleave deleted.
Table 3-2	Pin 84, 14.3 changed to 14.318 . Pin 114, RESCPU added. Pin 111, RESCPU added. Pin 43, 80387SX changed to 80386SX and WD75C10 deleted.
4.2.3 Processor Clock (CPUCLK)	Fourth, fifth and sixth paragraphs modified.
4.2.4 CPU Clock (CPUCLK) Control Register	CLK_SPD default modified, SCHH and SCH bit positions reversed.
5.1.2 Data Request DRQIN	Second paragraph modified.
5.3.1 Numeric Processor Busy, Bus Timing, And Power Down Register	Bit 14 - PRO_PD, first and third paragraphs modified.
6.1 DRAM Address And Data Bus	Last paragraph modified.
6.2.1 Memory Control	Bit 11 - PG, modified. Bits 10-08 - ILV, modified.
6.2.2 Memory Bank 3 Through Bank 0 Starting Address	Second paragraph modified.
6.2.4 RAM Shadow And Write Protect	Bits 09, 08 - SHD, third paragraph modified. Bits 01, 00 - BL_MOU, first paragraph and NOTE modified.



SECTION	CHANGE
6.3.1 Non-page Mode DRAM Memory Timing	Table 6-1A, 60 ns changed to 53 ns. Table 6-1B, MODE-01 modified.
6.4.1 EMS Control And Lower EMS Boundary	Bits 11, 10 - EMS_EN, states 01, 10 and 11 modified.
6.4.2 EMS Page Register Pointer	Bits 05-00 - description modified. Table 6-6 and Table 6-7, (decimal) added.
6.4.3 EMS Page Register	Bit 15 - EN, last sentence modified. Bit 10 - PAR, 27B changed to 27F. Bit 08 - PAR_L, PAR_L=0 description modified. Bit 04 - SER_AL, SER_AL=0 description modified. Bit 00 - SER_BL, SER_BL=0 description modified.
7.2 RTC, PVGA, 80287 Timing, Disk Chip Selects	Featured only in WD76C10 and WD76C10LP deleted. Bit 15 - RTC_L, RTC_L = 1 modified. Bits 10-08 - L_MSK, states 010 and 100 modified . Bit 06 - HS_HD, NOTE modified.
Table 7-1 cont.	27B changed to 27F.
8.2 PMC Timers	First paragraph modified.
9.1 Diagnostic Register	Bits 15-13 - VER, modified. Bit 10 - AUT_A20, third paragraph modified.
11.1 Memory Timing	WCF and WCS deleted, WNRDRAM modified.
Table 11-3	Modified.
Table 11-4	Modified.
Table 11-5	Modified.
Table 11-6	Modified.
Table 11-7	Modified.
11.2 AT Bus Timing	Line 4. modified.
Table 11-8	Modified.
Table 11-8 cont.	Modified.
Figure 11-30	Note 1 modified.
Table 11-9	Modified.
Figure 11-32	T235 and T234 was T142 and T143.
Figure 11-33	T235 and T234 was T142 and T143.
Figure 11-34	T235 and T234 was T142 and T143.
Table 11-10	Modified.
Figure 11-38	T235 was T142.



SECTION	CHANGE
Figure 11-39	End Of AT Bus Cycle corrected.
Figure 11-40	T235 was T142.
Figure 11-41	T235 was T142.
Table 11-11	Modified.
Table 11-11 cont.	Modified.
Figure 11-44	D15-D0 changed to DPH, DPL.
11.2.5 AT Bus Master	AT Bus refresh deleted.
Table 11-12	Modified.
Table 11-12 cont.	Modified.
Table 11-12 cont.	Modified.
Figure 11-45	SYSCLK added.
Table 11-13	Modified.
Table 11-14	Modified.
Figure 11-49	Note 2 modified.
Figure 11-50	Phase numbers corrected.
Figure 11-51	Phase numbers corrected.
Figure 11-52	Phase numbers corrected.
Figure 11-53	Phase numbers corrected, Note 2 modified.
Figure 11-54	T414 corrected.
Table 11-15	Modified.
Table 11-15 cont.	Modified.
Figure 11-55	Phase numbers corrected, Note 2 modified.
Figure 11-56	Phase numbers corrected.
Figure 11-57	Phase numbers corrected, reference to Note1 changed to Note 2.
Figure 11-59	Notes 2 and 3 modified.
Figure 11-61	Phase numbers corrected.
Figure 11-62	Phase numbers corrected.



## REVISION HISTORY - 2

Revision History 2 identifies the changes made from the document dated 4/10/91 to the document dated 7/1/91.

The major change made to the document was the elimination of all references to the WD75C10 device and the addition of A to the WD76C10(A) and WD76C10(A)LP. These changes resulted in the renumbering of some sections.

SECTION	CHANGE
1.1 Document Scope	WD75C10 deleted, "A" added to WD76C10A and WD76C10ALP.
1.2 Features	WD75C10 deleted, "A" added to WD76C10A and WD76C10ALP. 4 Mbit added to third feature. 4 Mbit DRAM deleted from fifth feature. EGA changed to VGA in tenth feature. 1.25 changed to 0.9 in thirteenth feature. (PQFP) added to fourteenth feature. System Activity Monitor (SAM) added. Four features deleted.
1.3 General Description	WD75C10 deleted, "A" added to WD76C10A and WD76C10ALP.
1.3.1 WD75C10	Changed to describe the WD76C10A.
1.3.2 WD76C10	Changed to describe the WD76C10ALP.
1.3.3 WD76C10LP	Deleted.
Figure 1-1	WD75C10 deleted, "A" added to WD76C10A and WD76C10ALP.
2.0 Architecture	"A" added to WD76C10ALP.
2.3 Main Processor Control	"A" added to WD76C10ALP.
2.4 Numeric Processor Control	Modified to reflect only WD76C10A and WD76C10ALP.
2.6 Memory And EMS Control	Modified to reflect only WD76C10A and WD76C10ALP.
2.7 Power Management	"A" added to WD76C10ALP.
Figure 2-1	WD75C10 deleted, "A" added to WD76C10A and WD76C10ALP. SDT/R changed to SDT/ $\bar{R}$ [486].
Table 2-1	A872, B072, D472, D872, DC72 and E472 added.
Table 3-1	Signals [WIRQ], [CASIN], [PE] and [486] added to pins 10, 12, 13 and 30 respectively. WD75C10 removed from pin 117.





SECTION	CHANGE
Table 3-2	Pin 30, modified to describe [486] 80486 mode. Pin 12, modified to describe [CASIN]. Pin 13, modified to describe [PE]. Pin 10, modified to describe [WIRQ].
4.1 Power Up Reset	Modified.
4.2.1 Internal Clock (CLK14)	14.318 was 14.3.
Figure 4-1	14.318 was 14.3. Port E472 added.
4.2.4 CPU Clock (CPUCLK) Control Register	"A" added to WD76C10ALP. Statement added to Bit 15 Default Value.
5.2 Power Management Control PMGIN	WD75C10 deleted, "A" added to WD76C10A and WD76C10ALP.
5.3.1 Numeric Processor Busy, Bus Timing, And Power Down Register	"A" added to WD76C10ALP. Bit 13 - FPD, RSTIN changed to BUS_RST.
6.1 DRAM Address And Data Bus	"A" added to WD76C10A and WD76C10ALP.
6.2.1 Memory Control	WD75C10 deleted, "A" added to WD76C10A and WD76C10ALP. Bits 13, 12 - CA, configuration 1 1 added.
6.2.4 RAM Shadow And Write Protect	"A" added to WD76C10ALP. Bit 07 - X_MEM including figures 6-2 and 6-3 added.
Table 6-4	First entry changed from ALL to A11.
Table 6-5	First two entries changed from ALL, A11 to A11, A10.
6.4.2 EMS Page Register Pointer	Bits 15-06 - DLT added.
7.0 Port Chip Select And Refresh Control	"A" added to WD76C10ALP.
7.1 Refresh Control, Serial And Parallel Chip Selects	"A" added to WD76C10ALP.
Table 7-1	"IDE Mode Only" statement deleted. Floppy Chip Select (CS # 18, 19) added.
8.0 Power Management Control	WD75C10 deleted, "A" added to WD76C10A and WD76C10ALP. Second paragraph modified. Fourth paragraph, 74HC273 was 74HCT373.



SECTION	CHANGE
Figure 8-1	"A" added to WD76C10ALP.
8.2 PMC Timers	"A" added to WD76C10ALP.
8.3 PMC Inputs	WD75C10 deleted, "A" added to WD76C10ALP. Bits 07-00 - IN7-IN0, first paragraph added.
8.4 PMC Interrupt Enable	"A" added to WD76C10ALP.
8.5 NMI Status	"A" added to WD76C10ALP.
8.6 Serial/Parallel Shadow Register	Was just Shadow Register.
8.7 Interrupt Controller Shadow Register	All new.
8.8 Port 70 Shadow Register	All new.
8.9 Activity Monitor Control Register	All new.
8.10 Activity Monitor Mask Register	All new.
8.11 Save And Resume	Was section 8.7, "A" added to WD76C10ALP.
9.1 Diagnostic	Bits 15, 14, 13 - VER, modified. Table 9-1 added.
Table 9-2	Was table 9-1.
9.3 Test Enable Register	All new.
9.4 Test Status Register	All new.
10.1 Maximum Ratings	Supply voltage and storage temperature added.
10.2 DC Operating Characteristics	WD75C10 deleted, "A" added to WD76C10A and WD76C10ALP.
Table 10-1	Expanded for four additional ILL conditions.
Table 11-2	CPURES and NPRST changed to 50 pF.
Table 11-3	Modified.
Table 11-4	Modified.
Figure 11-8	WD75C10 deleted, "A" added to WD76C10A.
Figure 11-9	WD75C10 deleted, "A" added to WD76C10A.
Table 11-5	Modified.
Table 11-6	Modified.
Table 11-7	Modified.



SECTION	CHANGE
Table 11-9	MAX column modified.
Table 11-10	Characteristic column modified.
Table 11-11 cont.	T09 and T10 deleted, T126 and T127 added.
Figure 11-43	DPH, DPL modified.
Figure 11-44	DPH, DPL modified.
Table 11-12 cont.	T167, T191 and T308 modified.
Table 11-13	T326, T327, T328, T330, T332, T333 and T334 modified.
Figure 11-48	T326, T328, T330, T332 and Note 3 modified.
Table 11-15	25 MHz added.

### REVISION HISTORY - 3

Revision History 3 identifies the changes made from the document dated 7/1/91 to the document dated 7/23/91.

SECTION	CHANGE
1.3 General Description	notebook/ added to laptop.
1.3.1 WD76C10A	16 Mbytes was 6 Mbytes.
1.3.2 WD76C10ALP	8 mA was 20 mA.
2.8 Register File	Third paragraph, modified.
Figure 2-1	Memory control and register file modified.
Table 2-1	Modified.
Table 3-2	Pin 84 description modified. Pin 121, WIRQ description modified.
Figure 4-1	BCLK2 and CLK14 pin numbers corrected.
Table 5-4	080-09F added.
5.5.3.2 OCW2 - Operation Control Word 2	Bits 2-0 - INT_LEV, statement added.
6.2.1 Memory Control	Bit 11 - PG, PG = 0 modified. Bits 10-08 - ILV, first paragraph modified. Note following bits 01, 00 modified.
Figure 6-3	Modified.
Table 6-2	Statement regarding first access added.



SECTION	CHANGE
6.4.2 EMS Page Register Pointer	Bits 15-06 - DLT, second paragraph added.
7.2 RTC, PVGA, 80287 Timing, Disk Chip Selects	Bits 10, 09, 08 - L_MSK, modified.
8.0 Power Management Control	All but first paragraph moved to section 8.2.
8.1 System Activity Monitor (SAM)	New.
8.2 Processor Power Down Mode	All from section 8.0 starting at second paragraph.
8.3 PMC Output Control Registers	PMC Output Control 15:08 port address 7872 bits 07-00 changed to Read and Write.
8.9 Interrupt Controller Shadow Register	Bits 10 through 00 modified.
8.10 Port 70 Shadow Register	Last sentence third paragraph modified. Bit 12 modified. Bits 11-08 modified. Bits 07-00 modified.
8.11 Activity Monitor Control Register	Bits 10 and 09 changed to "Read only". Opening statement added. Bit 15, modified. Bit 14, For factory use only added. Bit 12 and 11, writing a 1 to these bits added. Bit 11 note modified. Bit 10 statement added. Bit 09 statement added, ACTBEF = 1 modified. Bits 07-04 states 0100, 1101 and 1110 modified.
8.12 Activity Monitor Mask Register	First three paragraphs modified. Bit 08 modified. Bits 07, 06 modified. Bits 05-03 Statement regarding Activity Monitor Control Register added.
8.13 Save And Resume	Opening statement modified.
Table 9-1	WD77C10 changed to WD7710.
9.3 Test Enable Register	Bits 01 and 00 Read and Write. Opening statement modified. Bit 00 - EN_LVL modified.
9.4 Test Status Register	"For factory use only" statement added. Bits 14, 13 modified. Bits 12-06 modified. Bits 05-01 modified. Bit 00 modified.



SECTION	CHANGE
Table 11-3	Max 25 MHz column removed.
Table 11-4	Max 25 MHz column removed.
Table 11-5	Max 25 MHz column removed.
Table 11-7	Max 25 MHz column added.
Table 11-13	A0 deleted from T328.
Figure 11-48	Valid time extended.

## REVISION HISTORY - 4

5

Revision History 4 identifies the changes made from the document dated 7/23/91 to the document dated 8/15/91.

For clarity H has been added to all hexadecimal addresses.

SECTION	CHANGE
1.2 Features	80 ns was 70 ns in fourth feature. "Slow" added to next to last feature.
1.3.2 WD76C10ALP	"notebook/" added to laptop. 5 mA was 8 mA.
2.6 Memory And EMS Control	DRAM was RAM.
2.7 Power Management Control	"notebook/" added to laptop.
2.8 Register File	Fourth paragraph, FC72H was F872.
2.8.1 Lock Status Register	Bit 03 - P, reference to section 4.3 was 6.2.5 .
Table 2-1	"Hex" added to Port Address heading. FC72 Lock Status changed from no to yes.
3.0 Signal Description	Was titled Pin Description.
Table 3-1	"Signal/" added to table title.
Table 3-2	Table title changed to Signal Description. Pin 115 description, 28 was 24 and "Refer to Table 7-1" added. Pin 34 description, SX added to 80386.
4.2.3 Processor Clock (CPUCLK)	First paragraph, 50 MHz was 40 MHz.
4.2.4 CPU Clock (CPUCLK) Control Register	Bits 03-02, changed to "must" be set to zero. Bit 01, first paragraph, type of processors modified. Bit 00, first paragraph, type of processors modified.



SECTION	CHANGE
5.1.1 Data Acknowledge DAC7-5, 3-0	Modified.
5.1.2 Data Request DRQIN	Modified.
5.5.2.1 ICW1 - Initialization Command Word 1	Bit 3 - L_T, modified.
7.2 RTC, PVGA, 80287 Timing, And Disk Chip Selects	Bit 14 - FST_VGA, WD90C30 added. Bit 06 - HS_HD, WD-AC160 and WD-AC2120 added to Note.
8.2 Processor Power Down Mode	Third paragraph, 74HCT273 was 74HC273.
9.3 Test Enable Register	Bit 00 - EN_LVL = 1 modified.
10.1 Maximum Ratings	Voltage on any pin with respect to Vss and Power Dissipation added.

## REVISION HISTORY - 5

Revision History 5 identifies the changes made from the document dated 8/15/91 to the document dated 8/28/91.

SECTION	CHANGE
1.2 Features	70 ns was 80 ns in fourth feature.
1.3.2 WD76C10ALP	First paragraph modified.
4.2.3 Processor Clock (CPUCLK)	First paragraph modified.
4.2.4 CPU Clock (CPUCLK) Control Register	Bit 11 - AUT_FST, Name expanded.
5.5.2 Setup - Initialization Command Words (ICW)	Bit 3 - L_T = 1 modified.
5.5.3.3 OCW3	Bits 1-0 - IRR_ISR, name expanded.
8.1 System Activity Monitor (SAM)	Modified.
8.12 Activity Monitor Mask Register	Bit 15 - PCSM, WD76C10A deleted.
9.3 Test Enable Register	Bit 00 - EN_LVL = 0 and EN_LVL = 1 modified.
Figure 11-56	Note 3 modified. Note 4 added.



## REVISION HISTORY - 6

Revision History 6 identifies the changes made from the document dated 8/28/91 to the document dated 11/25/91.

The major change to the document was the addition of the WD76C10ALV low voltage device.

SECTION	CHANGE
1.1 Document Scope	WD76C10ALV added.
1.2 Features	WD76C10ALV added.
1.3 General Description	WD76C10ALV added.
1.3.3 WD76C10ALV	New.
Figure 1-1	WD76C10ALV added.
2.0 Architecture	WD76C10ALV added.
2.3 Main Processor Control	WD76C10ALV added.
2.4 Numeric Processor Control	Modified.
2.6 Memory And EMS Control	Modified.
2.7 Power Management Control	WD76C10ALV added.
Figure 2-1	WD76C10ALV added.
Table 3-1	Pin 117, WD76C10ALV added.
4.2.3 Processor Clock (CPUCLK)	Third paragraph, WD76C10ALV added.
4.2.4 CPU Clock (CPUCLK)	WD76C10ALV added.
5.2 Power Management Control PMCIN	WD76C10ALV added.
5.3.1 Numeric Processor Busy, Bus Timing, And Power Down Register	WD76C10ALV added.
6.1 DRAM Address And Data Bus	Last paragraph modified.
6.2.1 Memory Control	Bits 07 through 00 modified.
6.2.4 RAM Shadow And Write Protect	WD76C10ALV added.
7.0 Port Chip Select And WD76C10ALP/LV	WD76C10ALV added.

SECTION	CHANGE
7.1 Refresh Control, Serial And Parallel Chip Selects	WD76C10ALV added.
8.0 Power Management Control	WD76C10ALV added.
8.1 System Activity Monitor (SAM)	WD76C10ALV added.
8.2 Processor Power Down Mode	WD76C10ALV added.
Figure 8-1	WD76C10ALV added.
8.3 PMC Output Control Registers	WD76C10ALV added.
8.4 PMC Timers	WD76C10ALV added.
8.5 PMC Inputs	WD76C10ALV added.
8.6 PMC Interrupt Enable	WD76C10ALV added.
8.7 NMI Status	WD76C10ALV added.
8.9 Interrupt Controller Shadow Register	WD76C10ALV added.
8.12 Activity Monitor Mask Register	Bit 15 - PCSM, WD76C10ALV added.
8.13 Save And Resume	WD76C10ALV added.
9.4 Test Status Register	WD76C10ALV added.
10.0 DC Electrical Specifications	Statement added.
11.0 AC Operating Characteristics	Last paragraph added.
Figure 11-8	WD76C10A/LP/LV added.
Figure 11-9	WD76C10A/LP/LV added.
Appendix - A	All new, covers WD76C10ALV.

## REVISION HISTORY - 7

Revision History 7 identifies the changes made from the document dated 11/25/91 to the document dated 3/19/92.

The changes incorporated in the document dated 3/19/92 consist of the addition of Table 12-1 Pin States During Reset, and Appendix - B the Revision History.

